



US00D357377S

United States Patent [19]

Manu et al.

[11] Patent Number: Des. 357,377

[45] Date of Patent: ** Apr. 18, 1995

[54] PLASTIC FILM FOOD WRAP DISPENSER

[75] Inventors: Alexander Manu; Harry Mahler,
both of Toronto, Canada

[73] Assignee: The Axis Group Inc., Canada

[**] Term: 14 Years

[21] Appl. No.: 10,835

[22] Filed: Jun. 29, 1993

3,893,609	7/1975	Jamois et al.	225/42
3,974,947	8/1976	Budny	225/25
4,898,312	2/1990	Hwang	225/26
4,936,452	6/1990	Pauley	.
5,046,677	9/1991	Loewe et al.	.
5,050,788	9/1991	Taguchi et al.	225/25
5,186,376	2/1993	Scharf et al.	225/42
5,275,321	1/1994	Manu et al.	242/55.53 X

Primary Examiner—Terry A. Wallace
Assistant Examiner—Mitchell I. Siegel
Attorney, Agent, or Firm—Nixon & Vanderhye

Related U.S. Application Data

[63] Continuation-in-part of Ser. No. 935,119, Aug. 27, 1992, Pat. No. 5,275,321.

[52] U.S. Cl. D6/518

[58] Field of Search D9/339; D6/513, 518,
D6/519; 206/389, 397, 407; 225/25, 39, 42-45,
56, 77, 90; 242/55.53, 55.2

[57] CLAIM
The ornamental design for a plastic film food wrap dispenser, as shown and described.

DESCRIPTION

FIG. 1 is a front elevation of the plastic film food wrap dispenser in accordance with our new design; FIG. 2 is a top plan view thereof; FIG. 3 is a left side view thereof; FIG. 4 is a bottom plan view thereof; FIG. 5 is a rear elevation thereof; FIG. 6 is a front plan view of a second embodiment of the dispenser as disclosed in FIG. 1; FIG. 7 is a top plan view of FIG. 6; FIG. 8 is a left side view of FIG. 6; FIG. 9 is a bottom plan view of FIG. 6; FIG. 10 is a rear elevation of FIG. 6; and, FIG. 11 is a front perspective view of FIG. 1. The broken line showing of the caps on FIGS. 6-10 are for illustrative purposes only and forms no part of the claimed design.

[56] References Cited

U.S. PATENT DOCUMENTS

D. 155,271	9/1949	Collard et al.	225/42
D. 158,207	4/1950	Lench	D6/518
D. 166,804	5/1952	Grace	D6/518
D. 272,970	3/1984	Hasegawa et al.	D6/518
D. 273,063	3/1984	Gatward	D6/518
D. 289,592	5/1987	Loughridge	D6/518
987,952	3/1911	Brown	.
1,676,854	7/1928	Casterline	.
2,474,076	6/1949	Thompson	225/42
2,580,684	1/1952	Lacy et al.	225/42
3,291,299	12/1966	Minnotte, Jr.	.
3,549,066	12/1970	Wankow	.

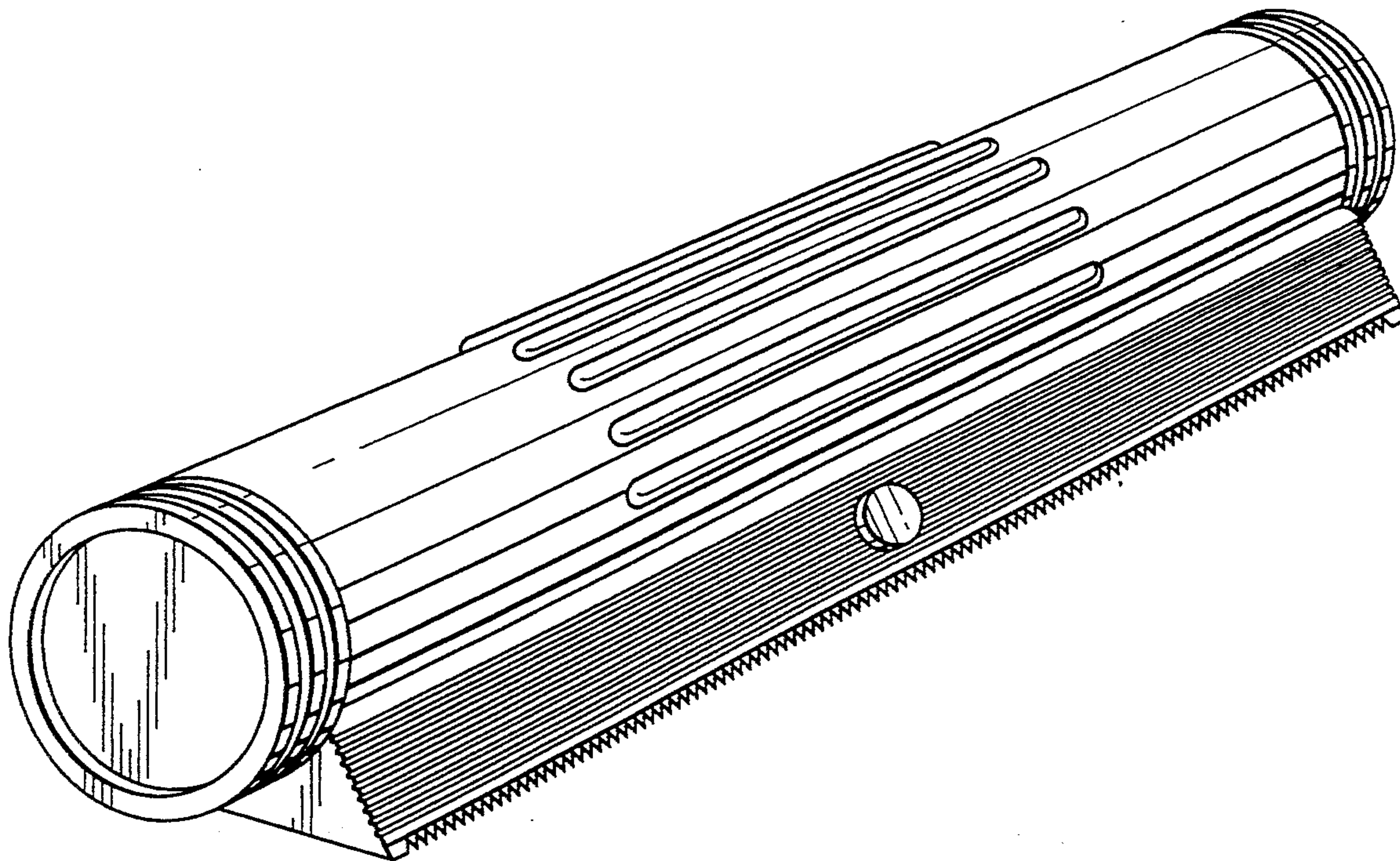


FIG. 1

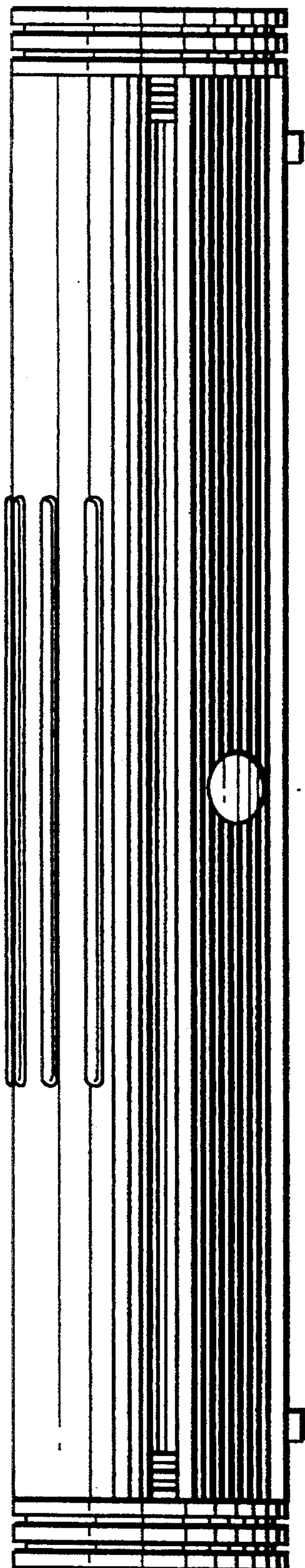
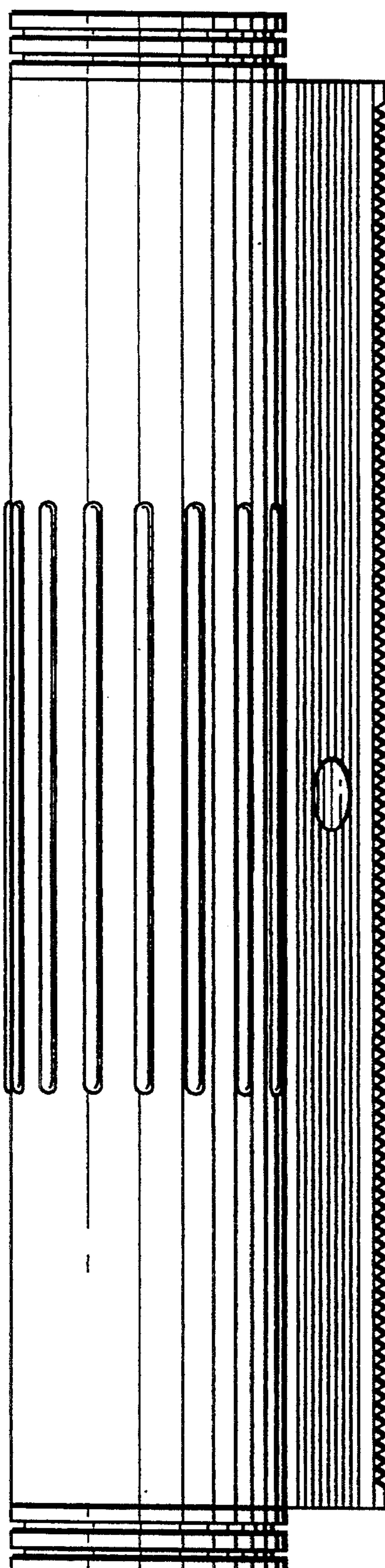


FIG. 2



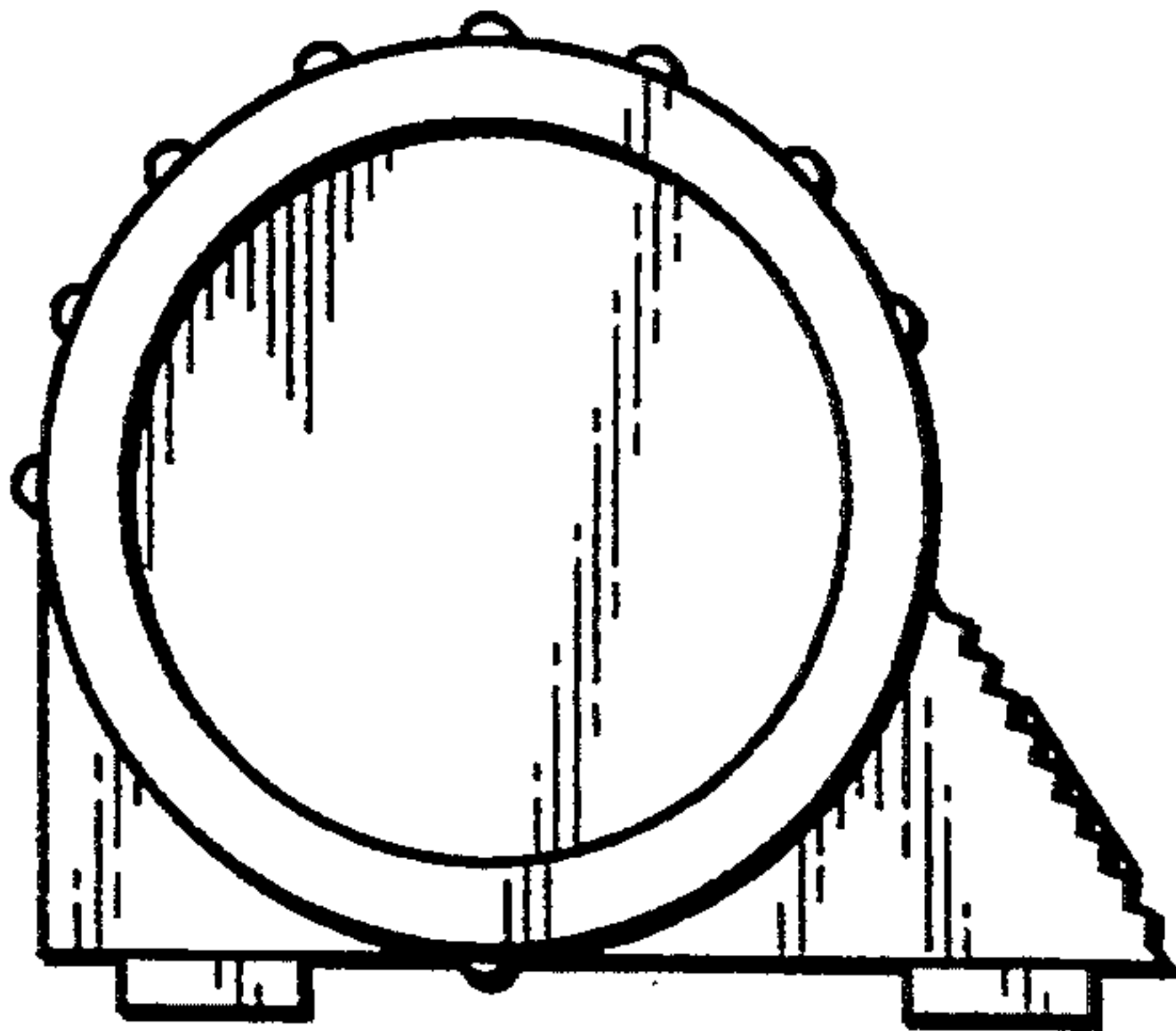


FIG. 3

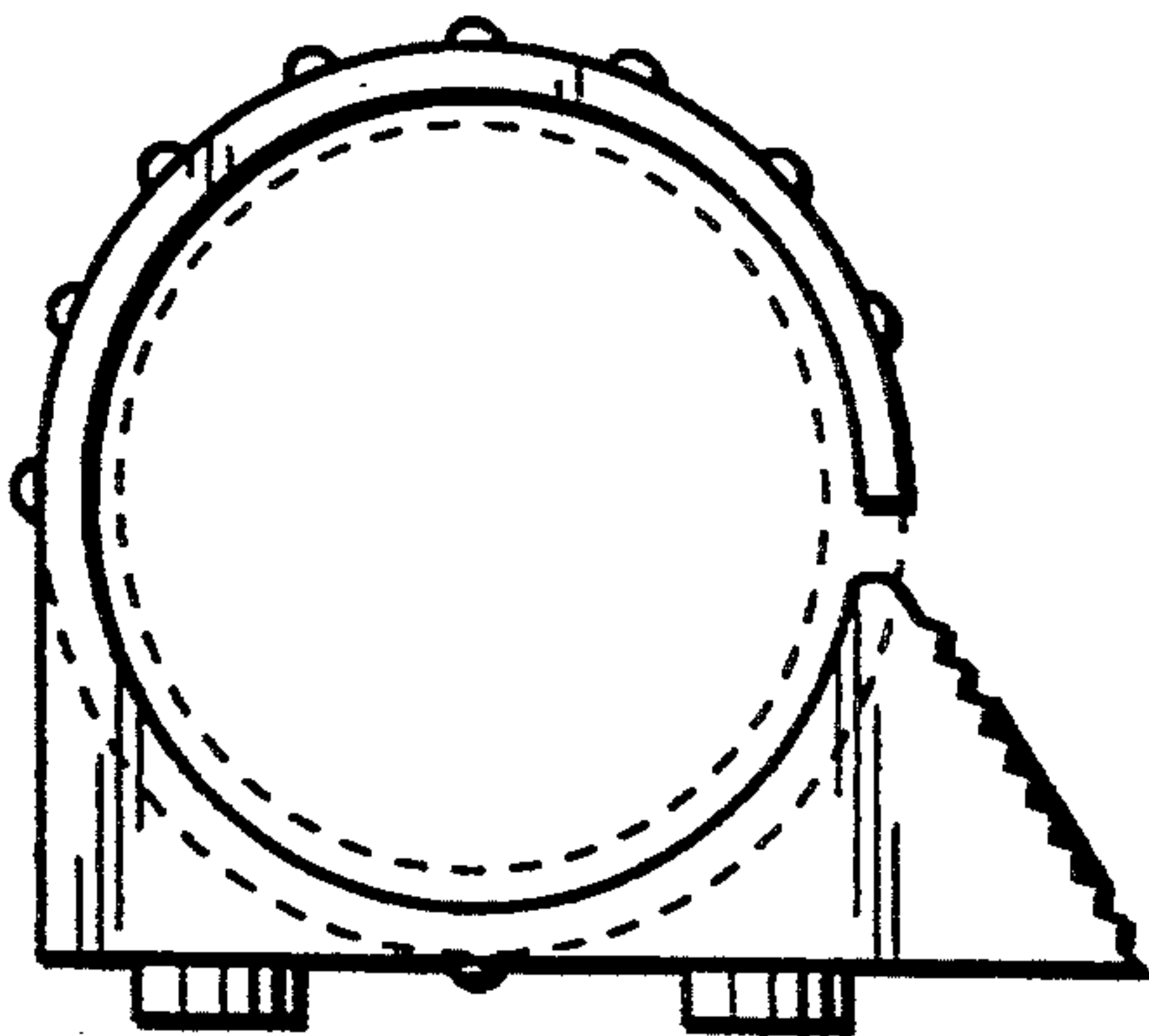


FIG. 8

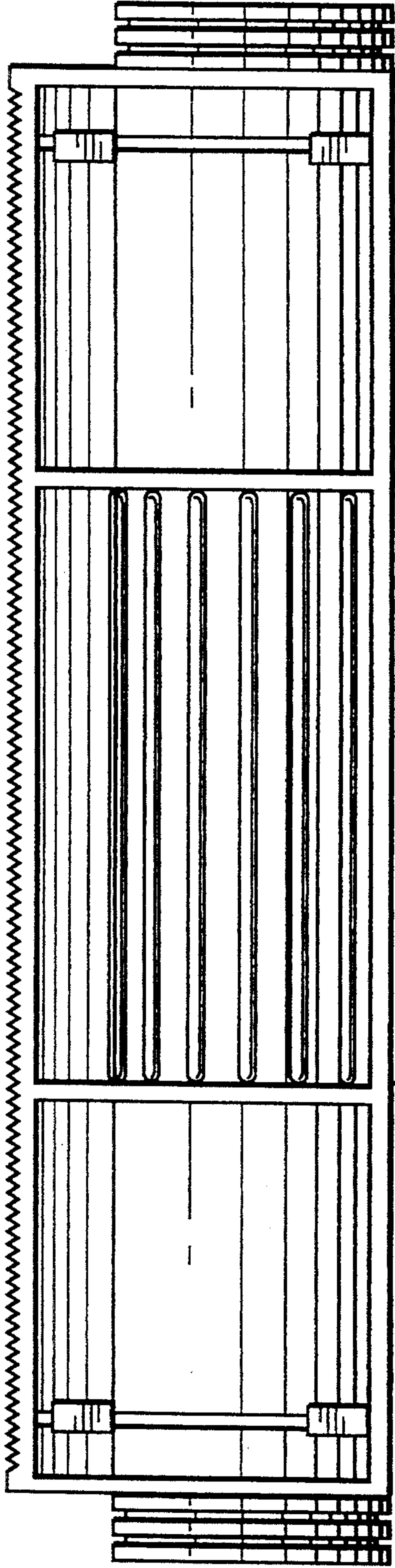


FIG. 4

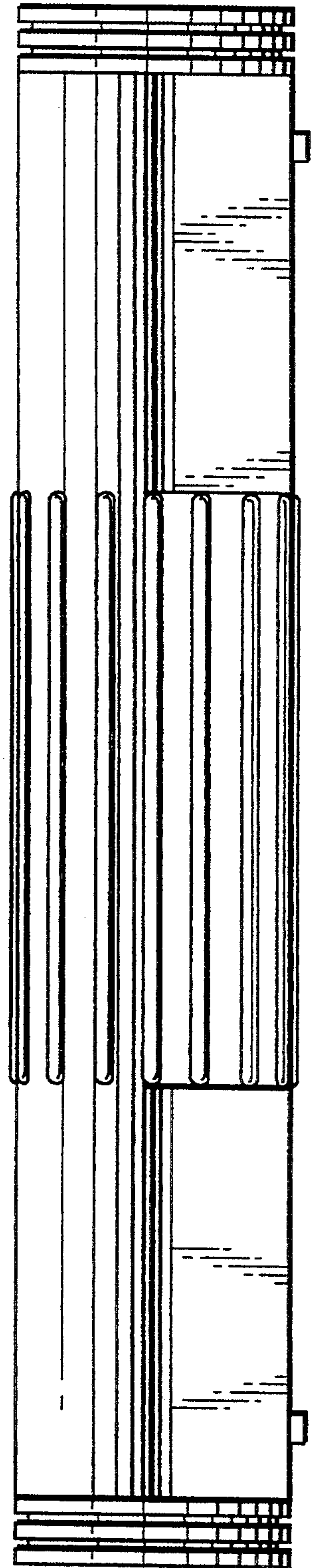


FIG. 5

FIG. 6

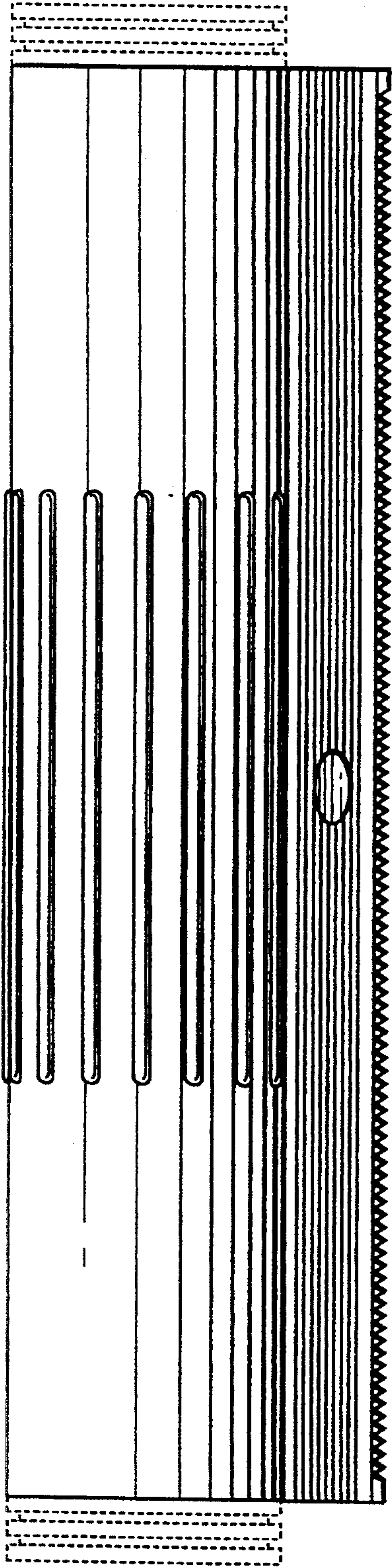


FIG. 7

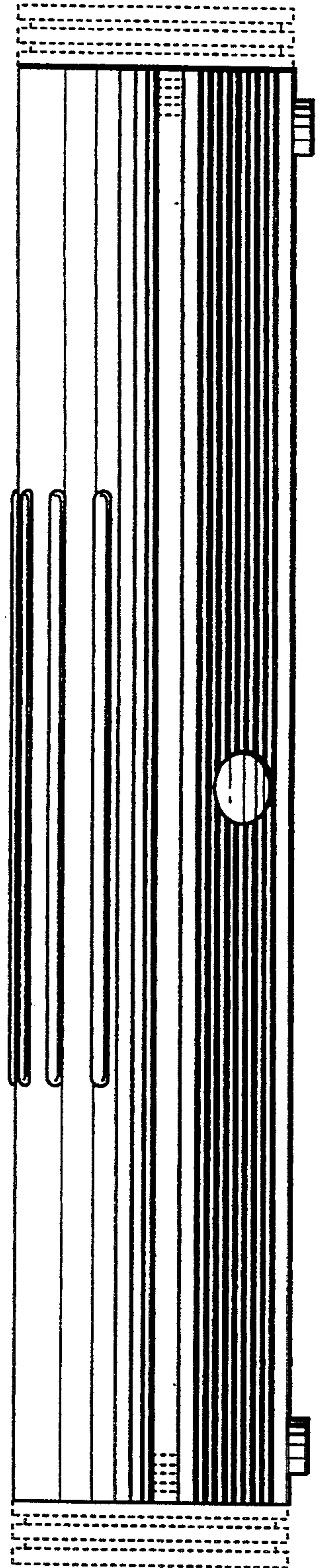


FIG. 9

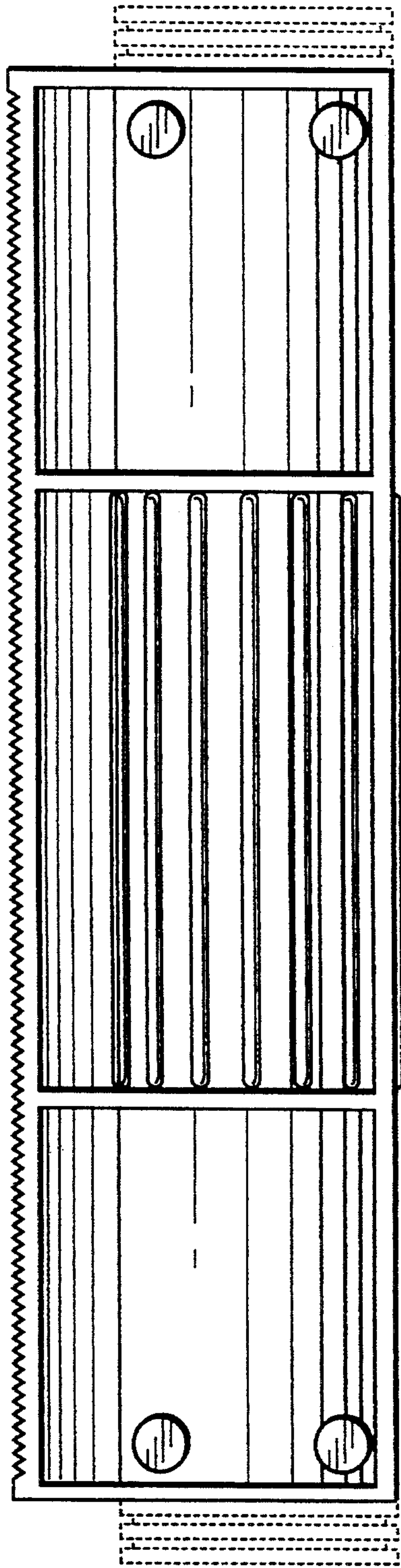
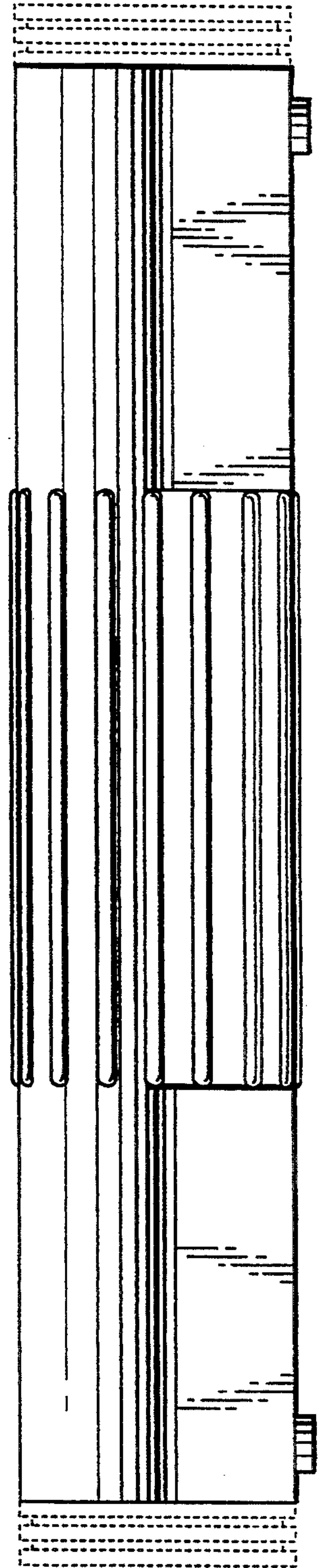


FIG. 10



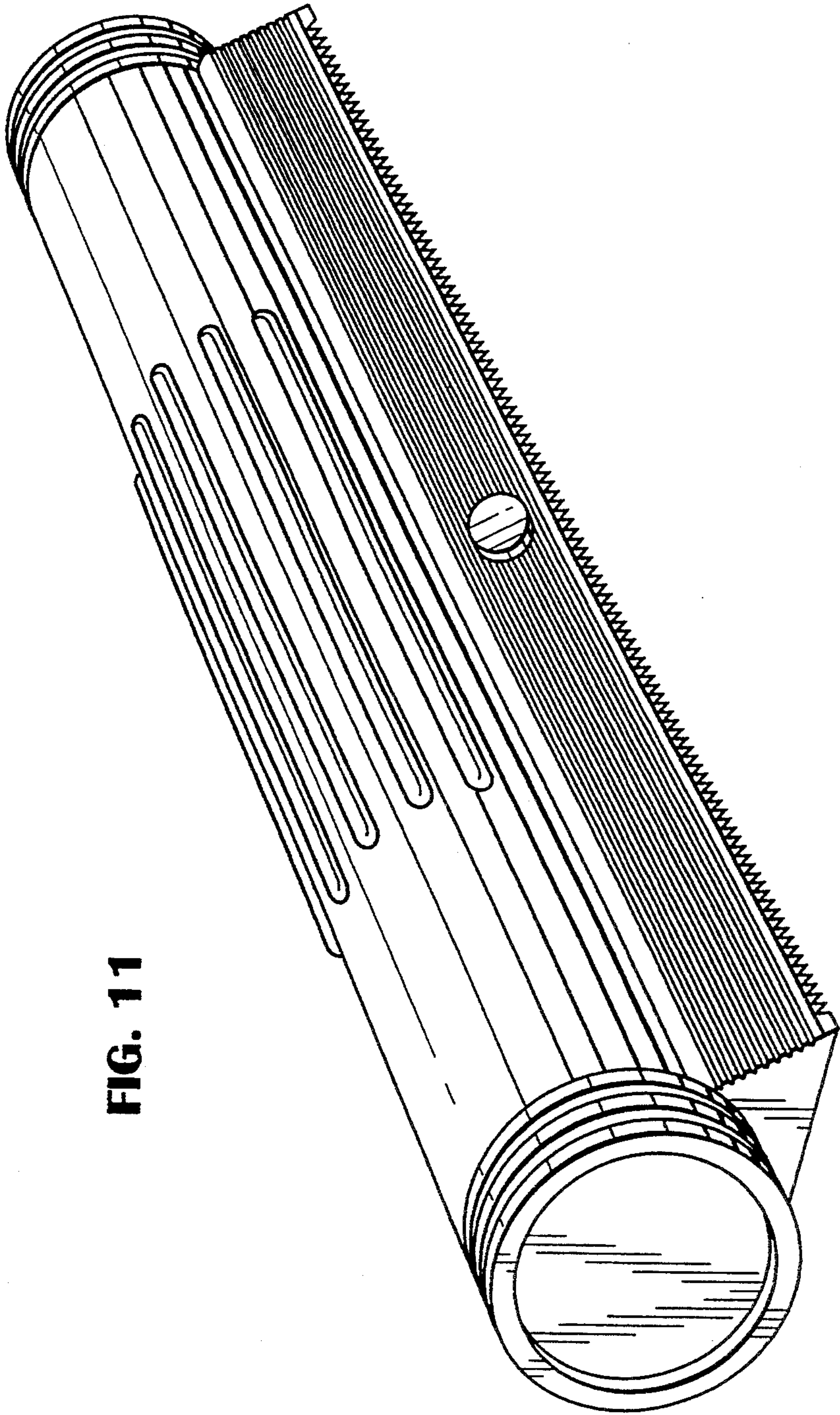


FIG. 11