



US00D357376S

# United States Patent [19]

[11] Patent Number: **Des. 357,376**

Cecula

[45] Date of Patent: **\*\* Apr. 18, 1995**

[54] **COMBINED TOOTHBRUSH AND CUP HOLDER WITH CUP**

[75] Inventor: **Marek Cecula, New York, N.Y.**

[73] Assignee: **Dawson Home Fashions, Inc., New York, N.Y.**

[\*\*] Term: **14 Years**

[21] Appl. No.: **15,029**

[22] Filed: **Nov. 8, 1993**

[52] U.S. Cl. .... **D6/531**

[58] Field of Search ..... **D6/527-528, D6/531, 534, 535; 211/13, 65; 206/277, 362, 362.1, 362.2, 362.3**

[56] **References Cited**

**U.S. PATENT DOCUMENTS**

D. 200,290	2/1965	Turner	.....	D6/531
D. 272,589	2/1984	Shames et al.	.....	D6/531
D. 293,532	1/1988	Sussman	.....	D6/531

**OTHER PUBLICATIONS**

Creative Bath Products brochure p. 2, tumbler and toothbrush holder.

IDG Marketing brochure p. 2, tumbler, toothbrush and toothpaste holder.

*Primary Examiner*—Brian N. Vinson

*Attorney, Agent, or Firm*—Stroock & Stroock & Lavan

[57] **CLAIM**

The ornamental design for a combined toothbrush and cup holder, as shown and described.

**DESCRIPTION**

FIG. 1 is a top and side perspective view of a combined toothbrush and cup holder with cup showing my new design;

FIG. 2 is a top plan view thereof;

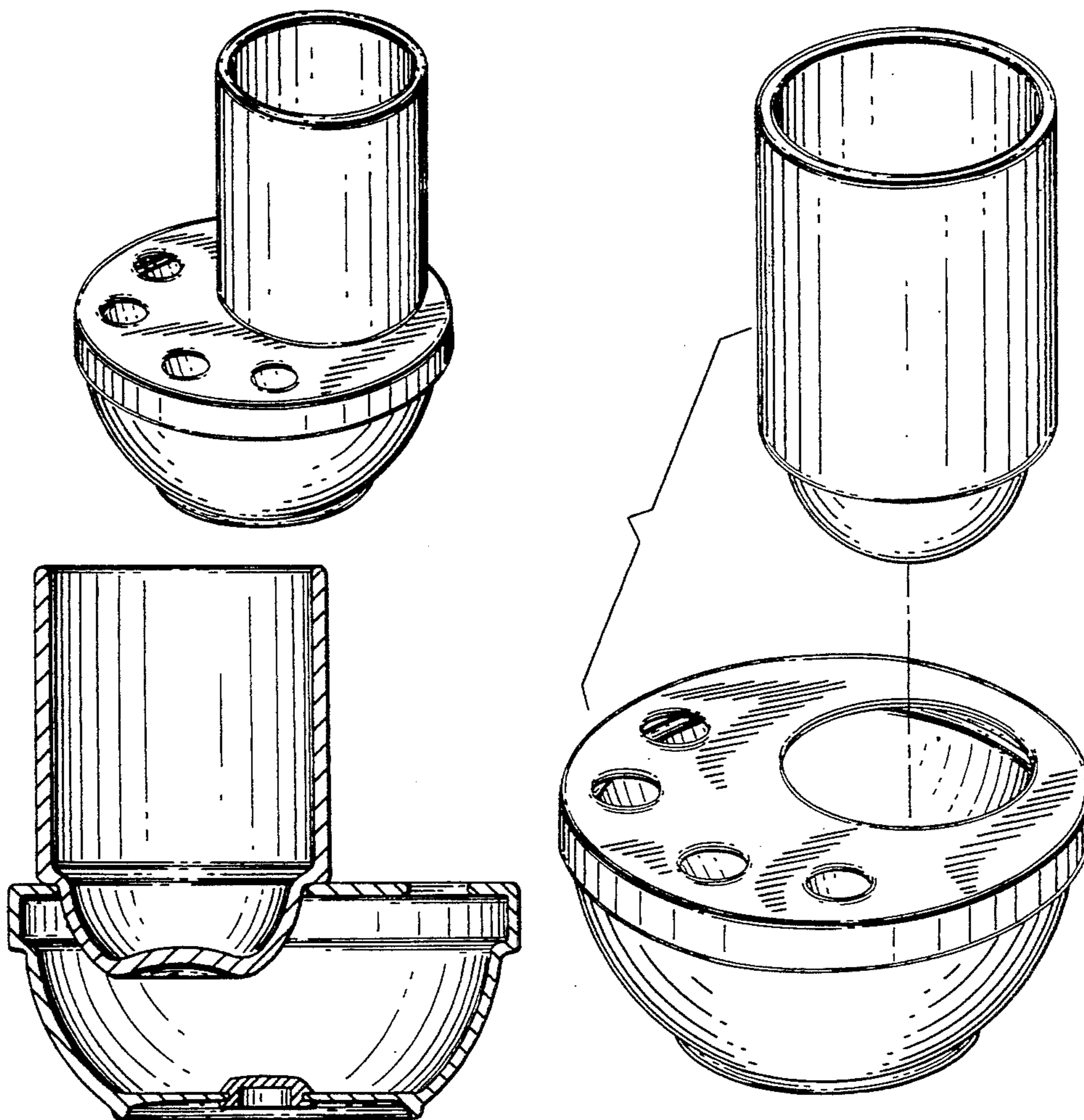
FIG. 3 is a left side elevational view thereof;

FIG. 4 is a front elevational view thereof;

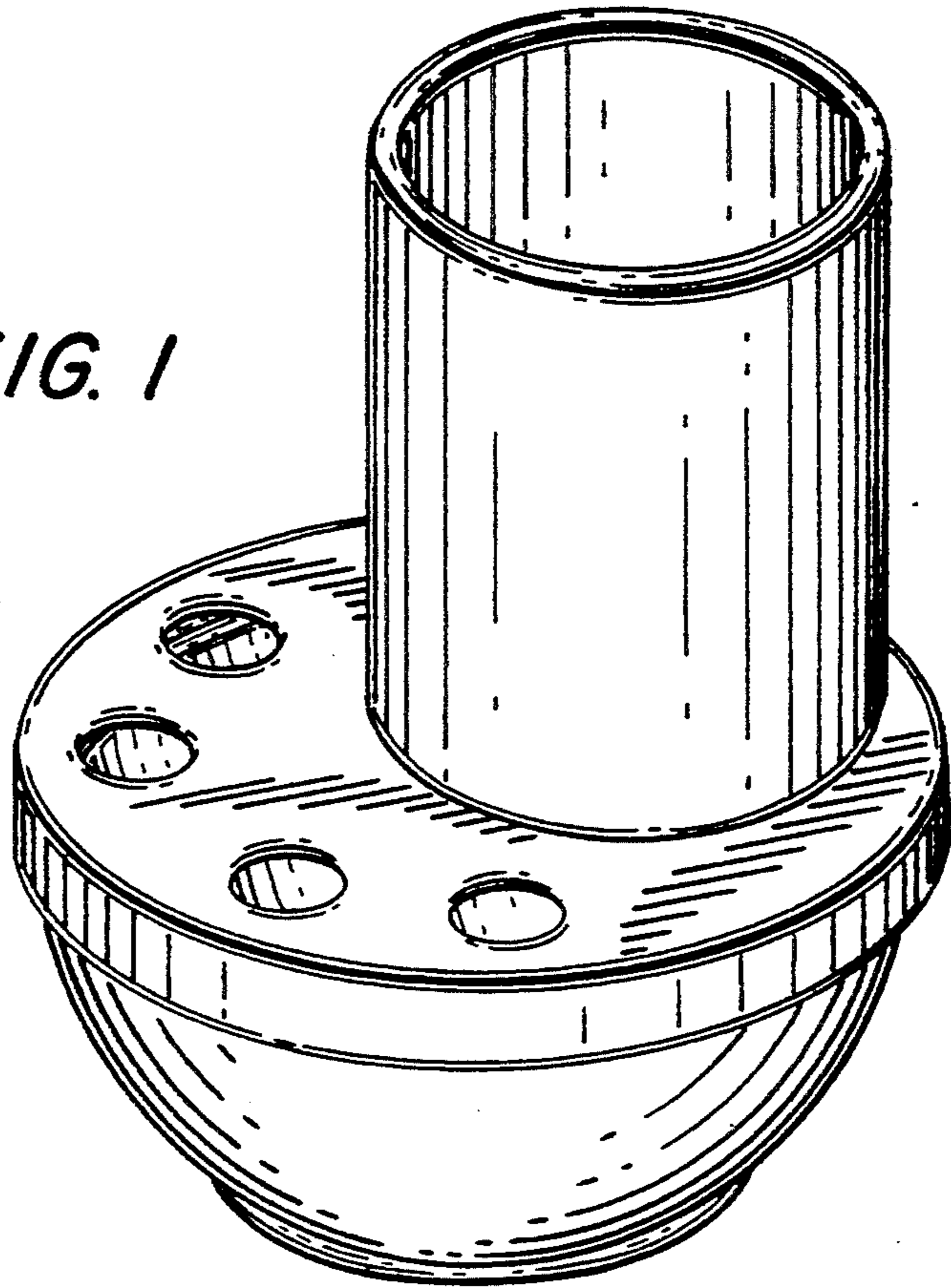
FIG. 5 is a sectional view thereof taken along lines 5—5 of FIG. 2;

FIG. 6 is a bottom plan view thereof; and,

FIG. 7 is an exploded perspective view thereof.



*FIG. 1*



*FIG. 2*

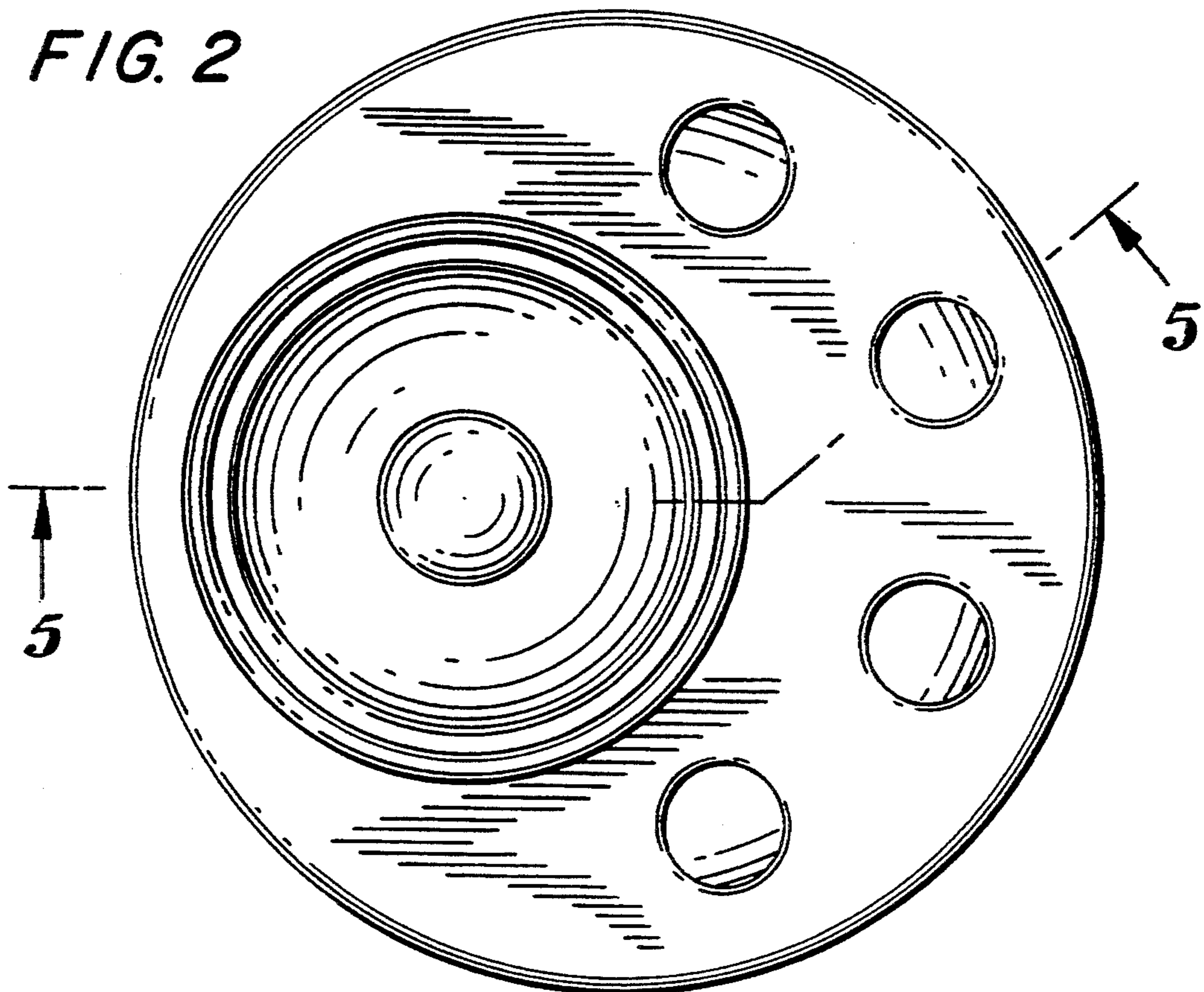




FIG. 4

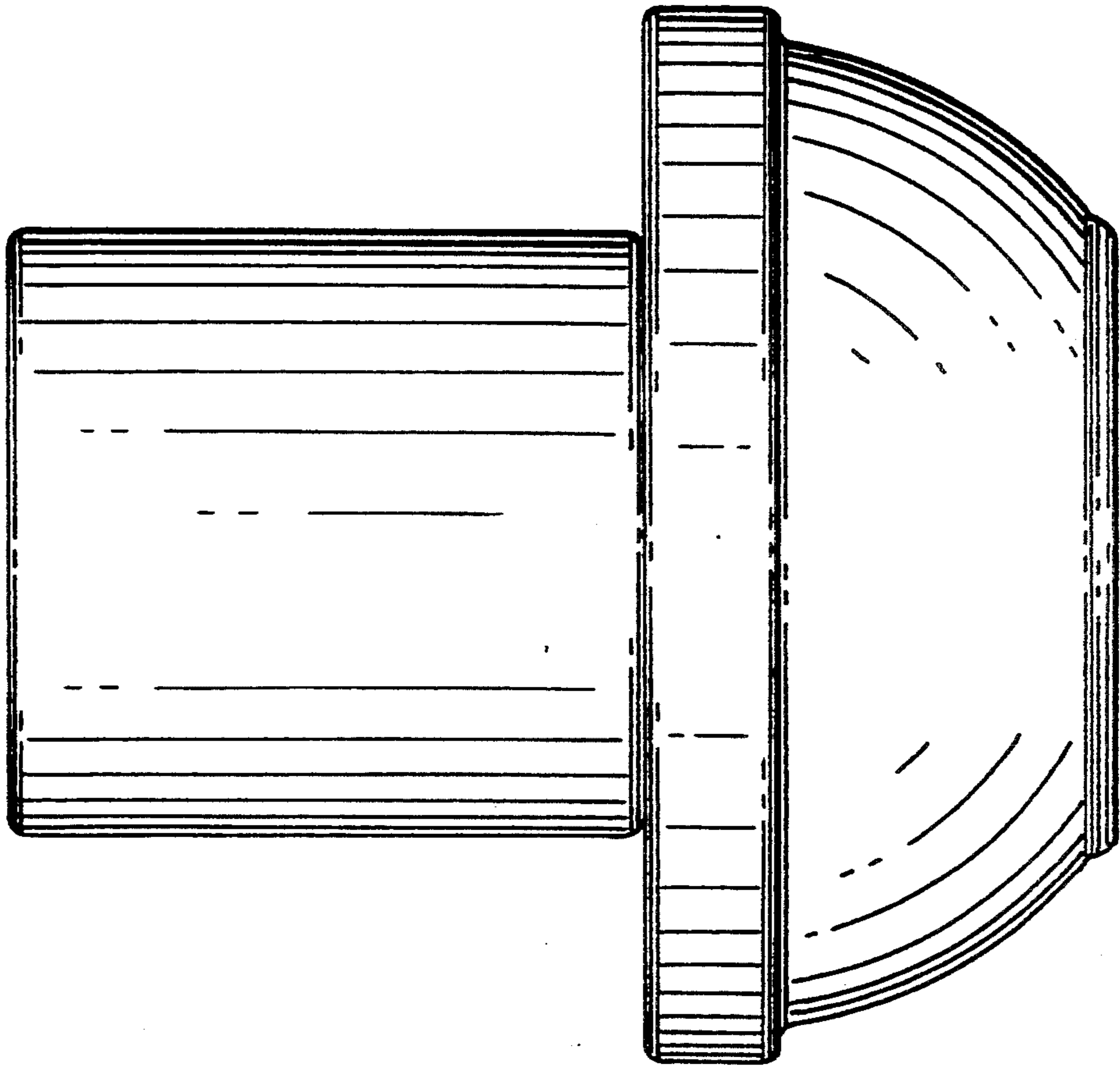
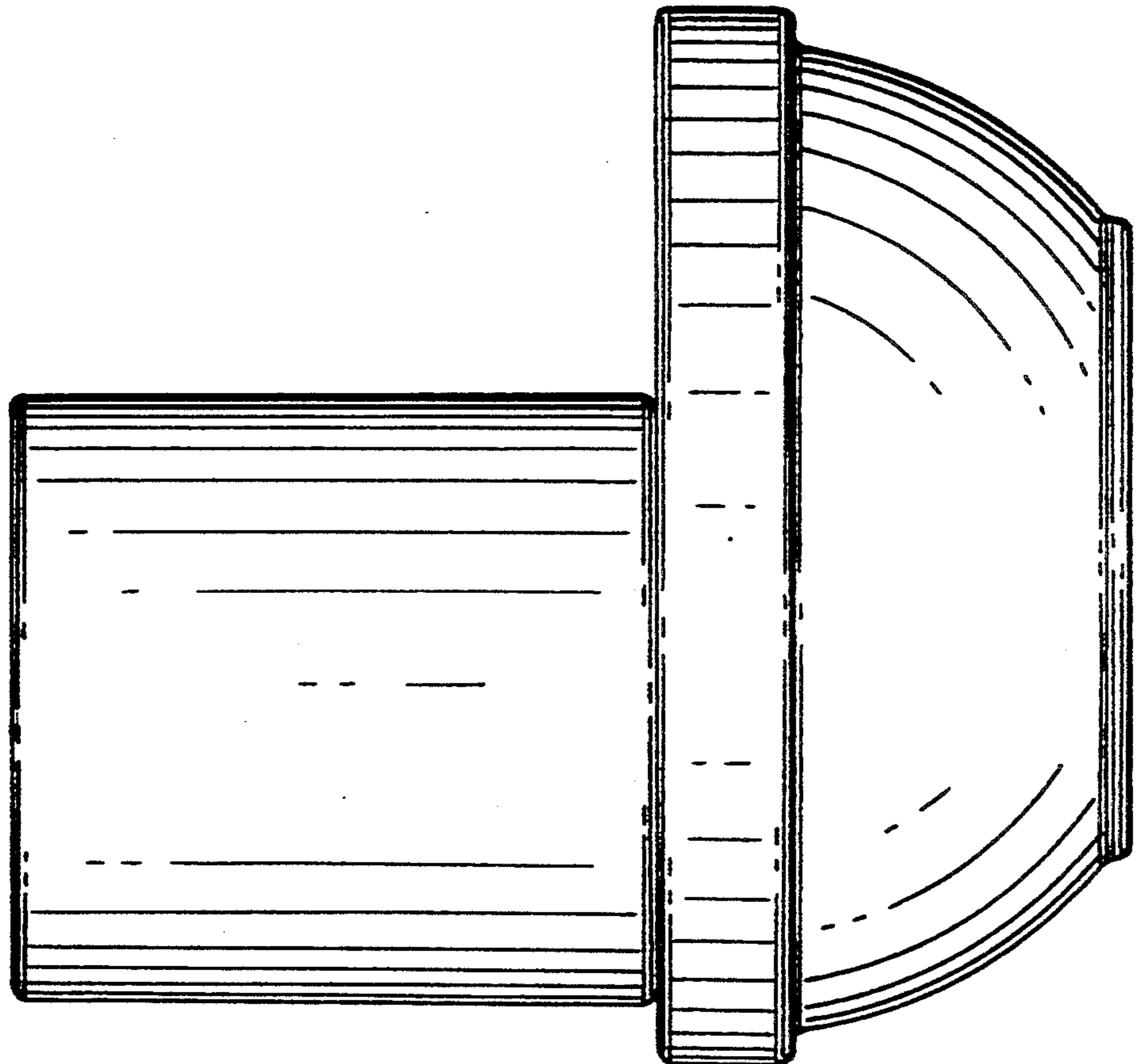
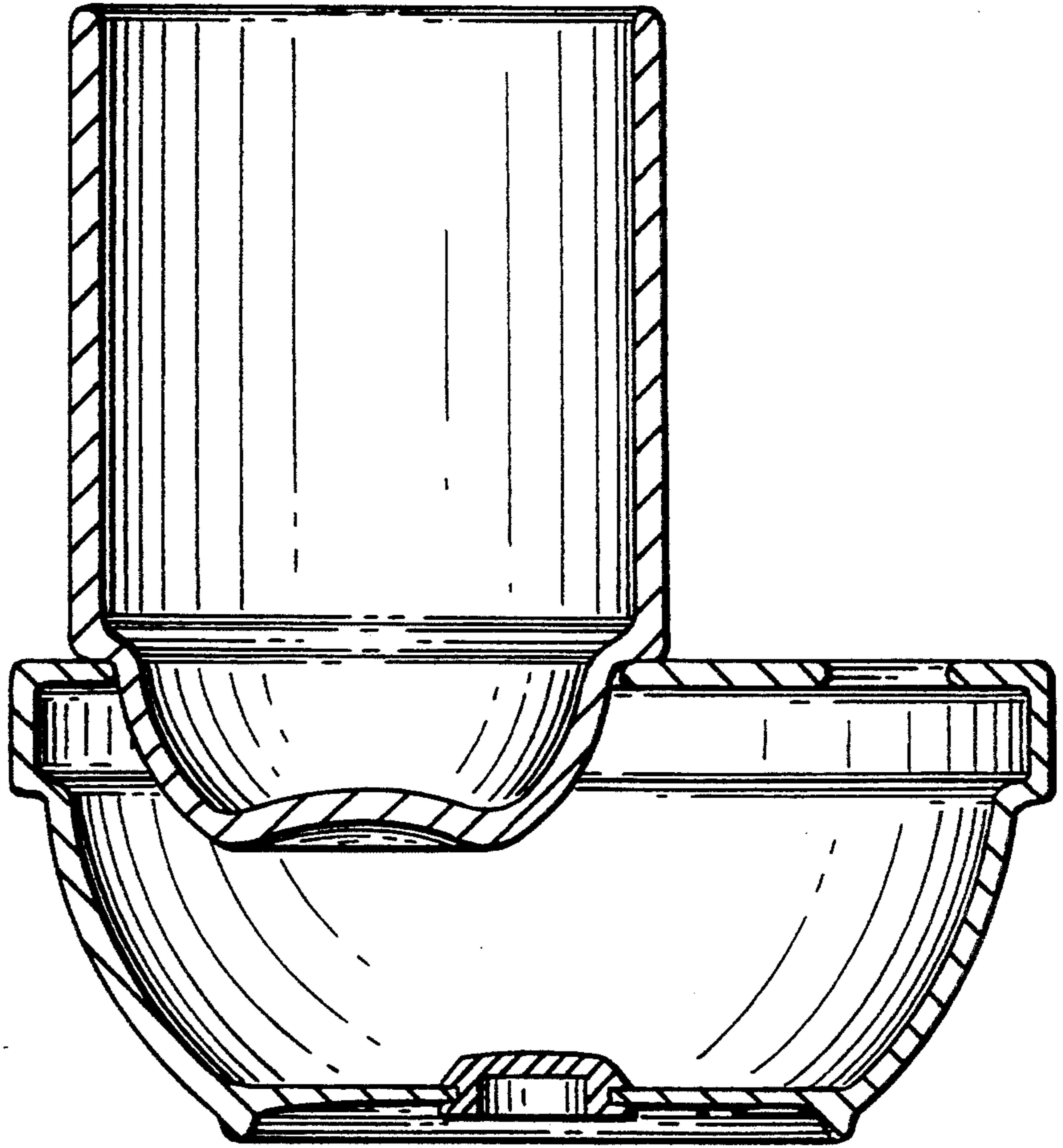


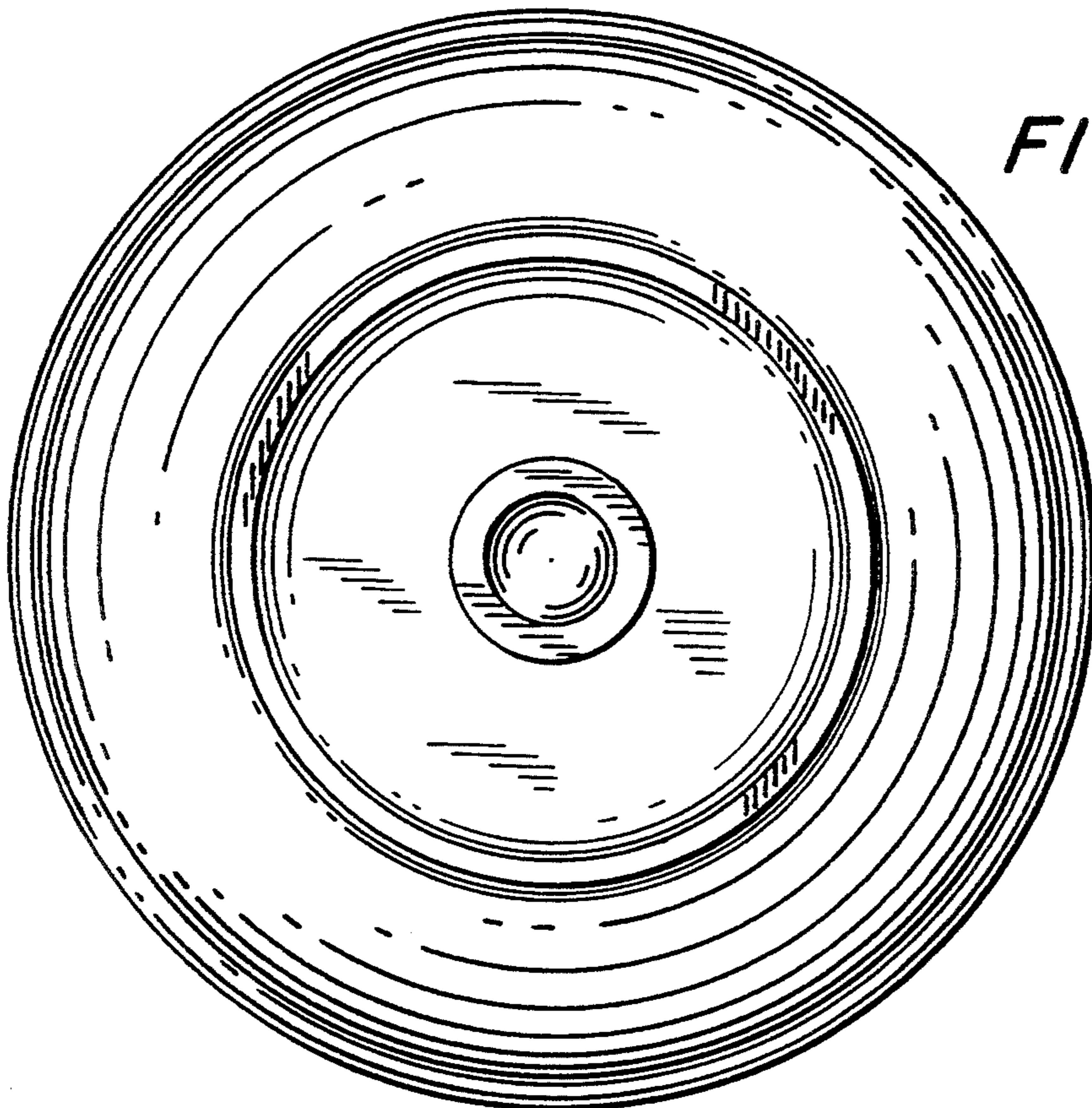
FIG. 3



*FIG. 5*



*FIG. 6*



**FIG. 7**

