



US00D357374S

# United States Patent [19]

[11] Patent Number: **Des. 357,374**

Rabe

[45] Date of Patent: **\*\* Apr. 18, 1995**

[54] **TABLE**

[76] Inventor: **Thomas L. Rabe**, 120 Woodcreek Dr. South, Safety Harbor, Fla. 34695

[\*\*] Term: **14 Years**

[21] Appl. No.: **12,369**

[22] Filed: **Aug. 30, 1993**

[52] U.S. Cl. .... **D6/480**

[58] Field of Search ..... **D6/480-489, D6/495-499, 349, 350, 352, 353, 429-431; 108/153-155, 161**

[56] **References Cited**

**U.S. PATENT DOCUMENTS**

D. 264,291	5/1982	Haigh .....	D6/484
D. 282,420	2/1986	Melland .....	D6/483 X
D. 331,849	12/1992	Weyel .....	D6/430 X
3,432,132	3/1969	Thursten .....	108/161 X

**OTHER PUBLICATIONS**

Ethan Allen, ©1992, #4 Table. Brill Pine, p. 15. Table at top left.

*Primary Examiner*—Janice E. Seeger  
*Attorney, Agent, or Firm*—James E. Larson

[57] **CLAIM**

The ornamental design for a table, as shown and described.

**DESCRIPTION**

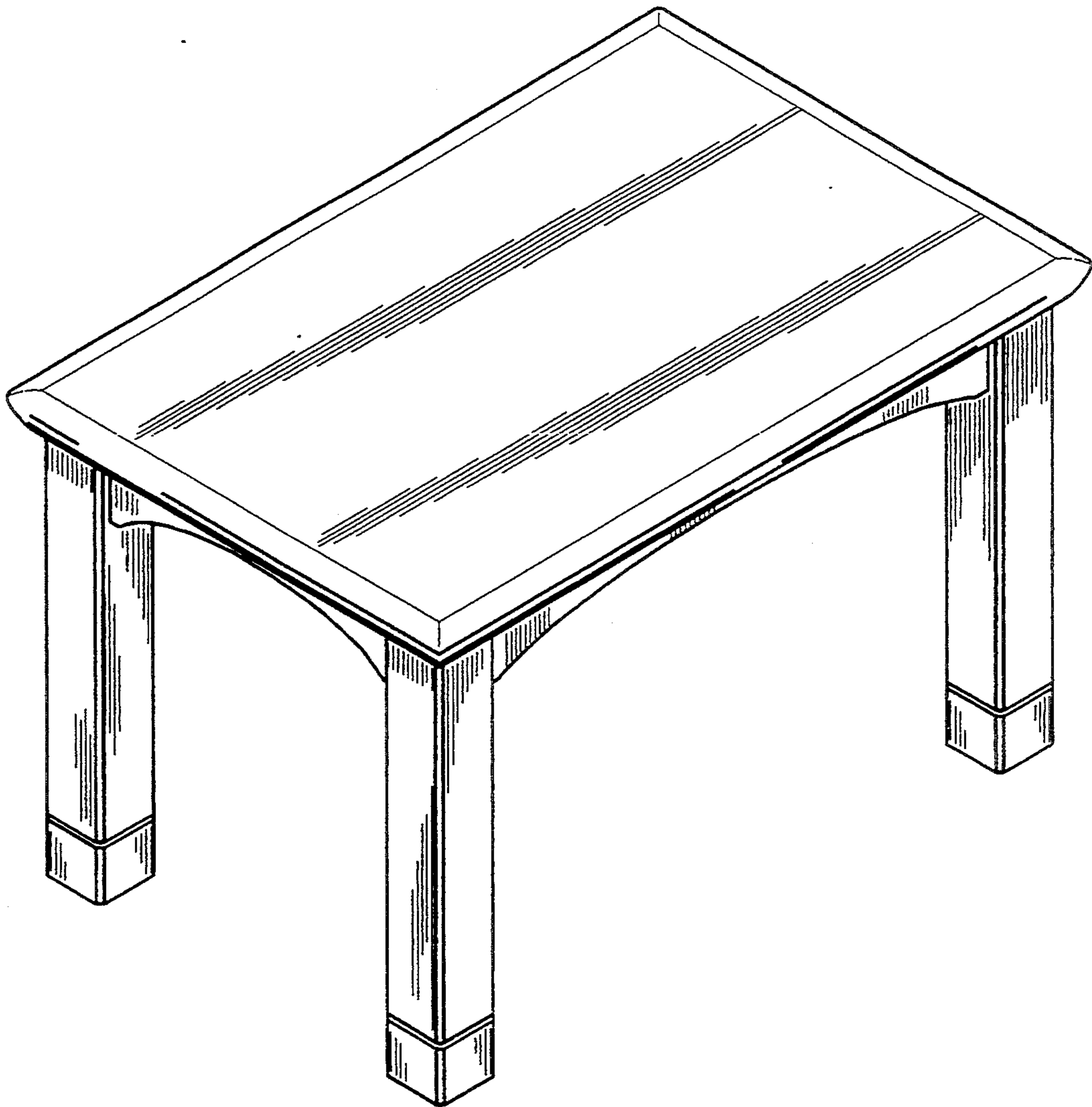
FIG. 1 is a perspective view of a table showing my new design;

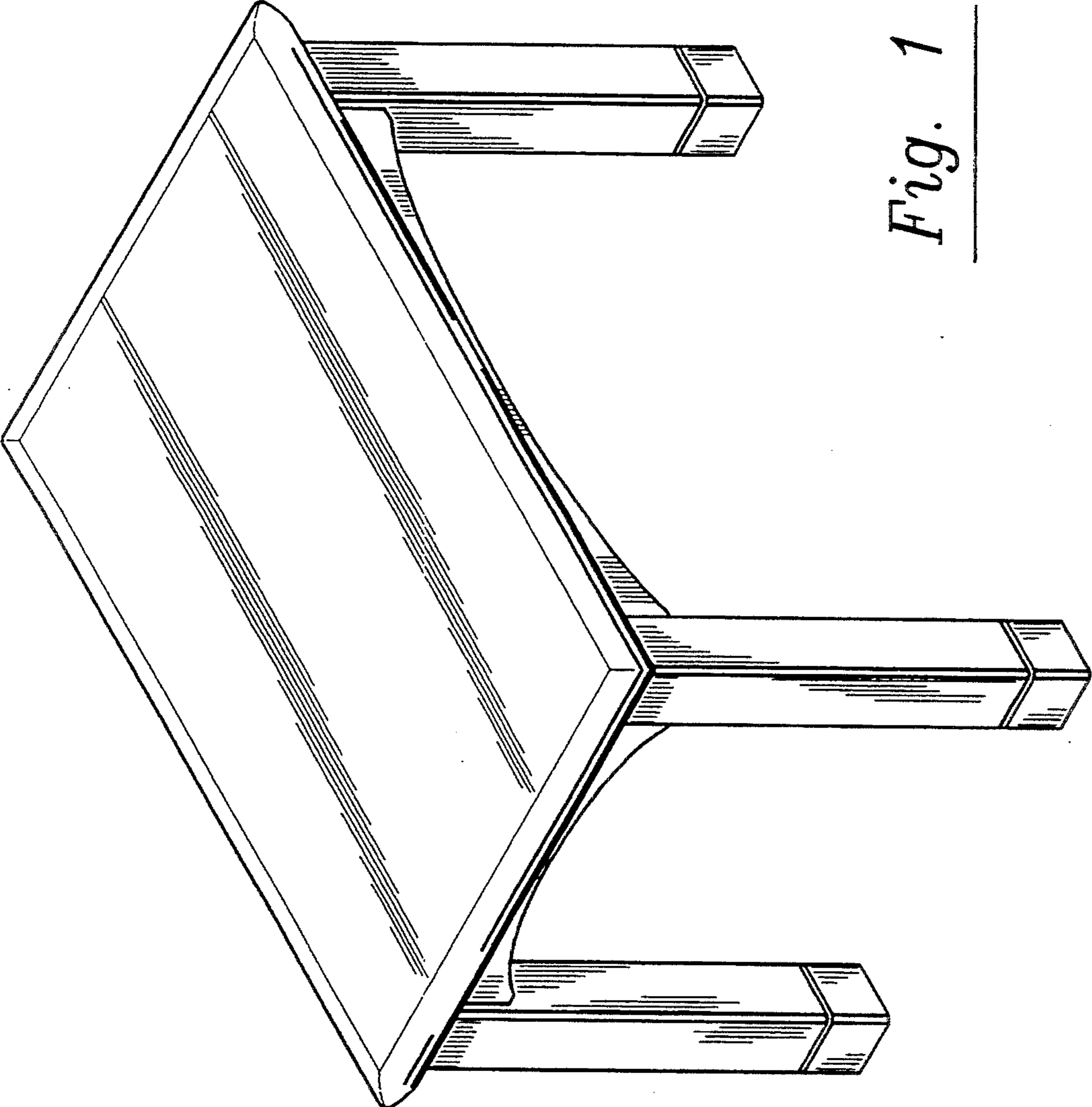
FIG. 2 is a top plan view thereof;

FIG. 3 is a bottom plan view thereof;

FIG. 4 is a left or right side elevational view thereof; and,

FIG. 5 is a front or rear elevational view thereof.





*Fig. 1*

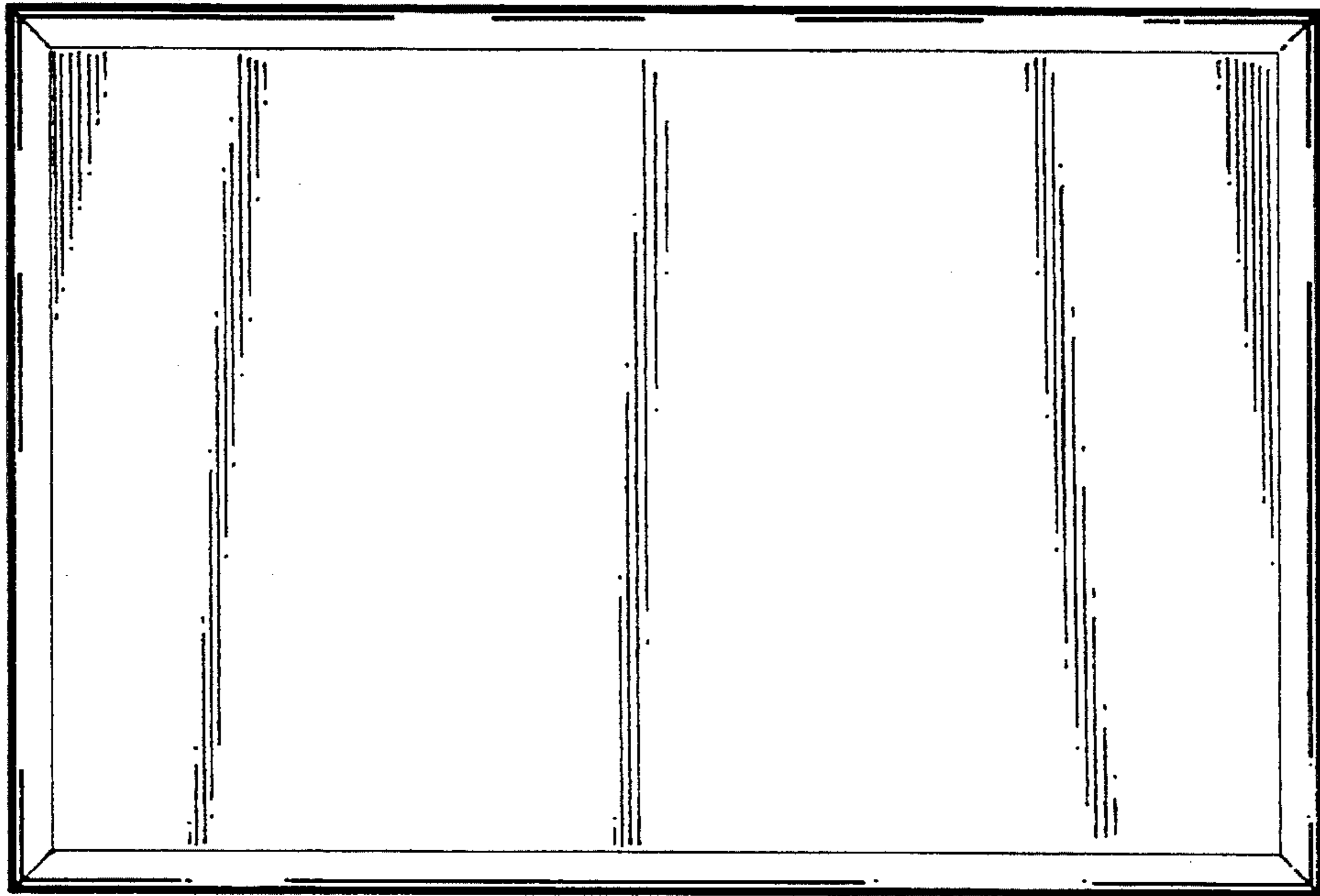


Fig. 2

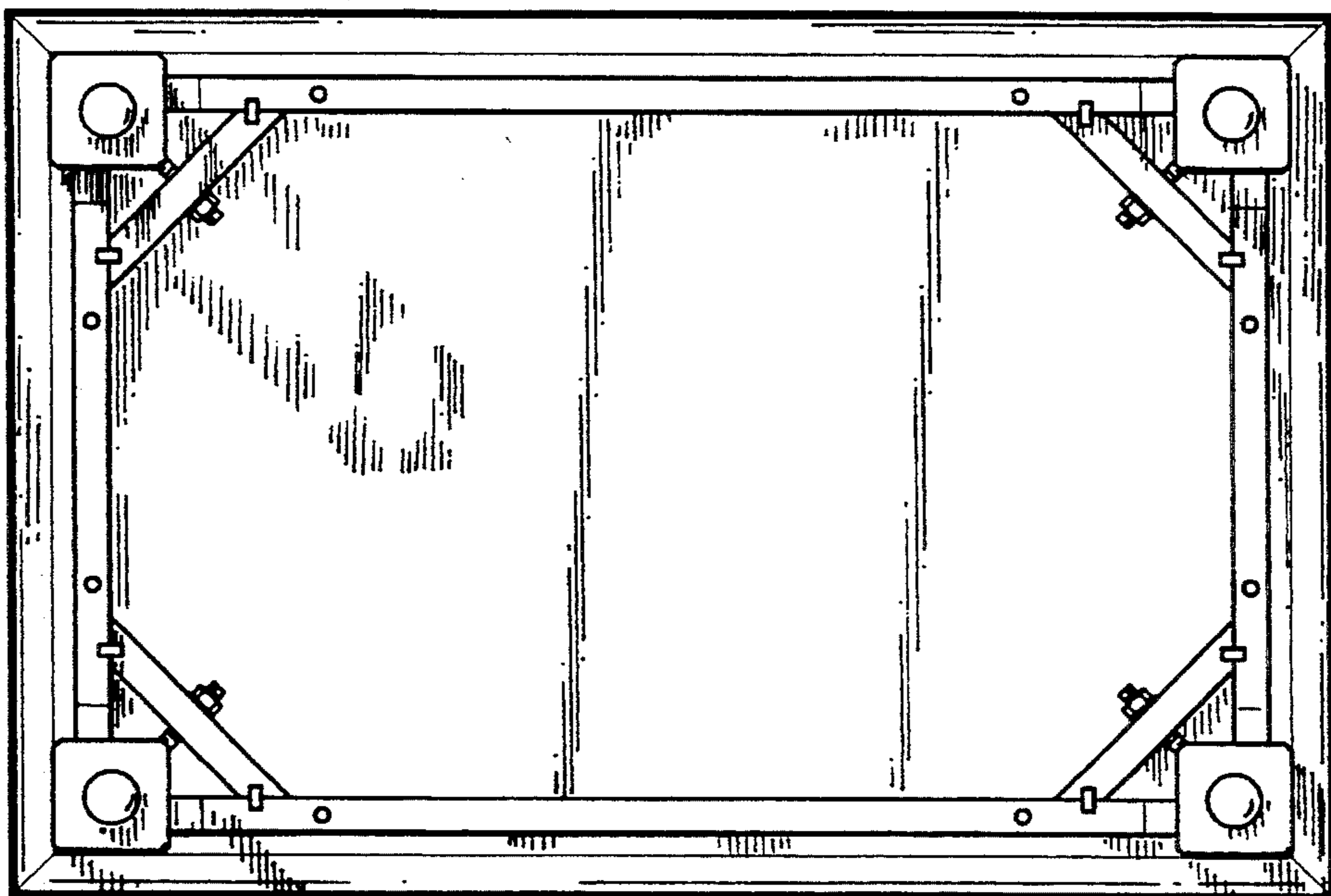


Fig. 3

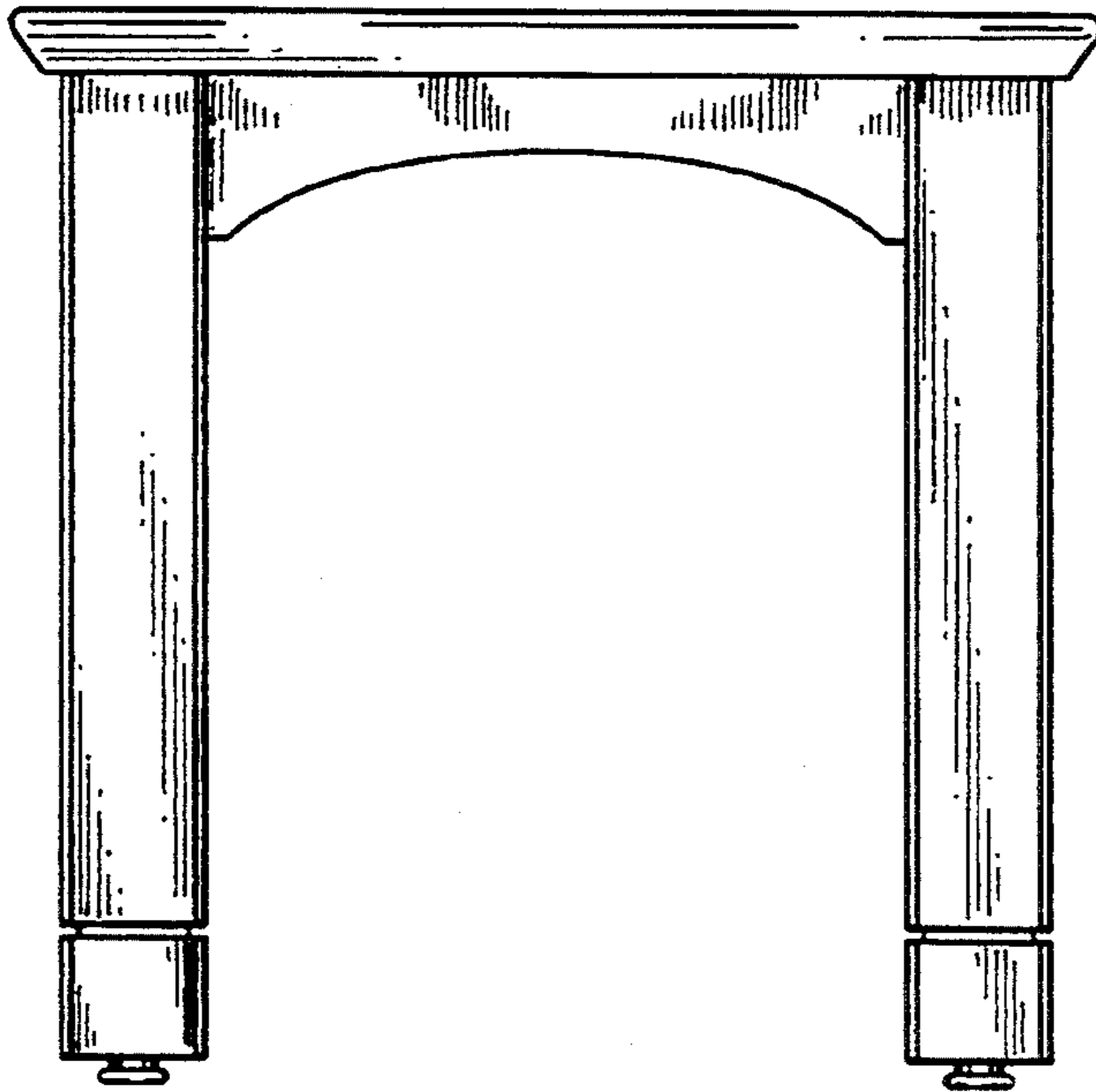


Fig. 4

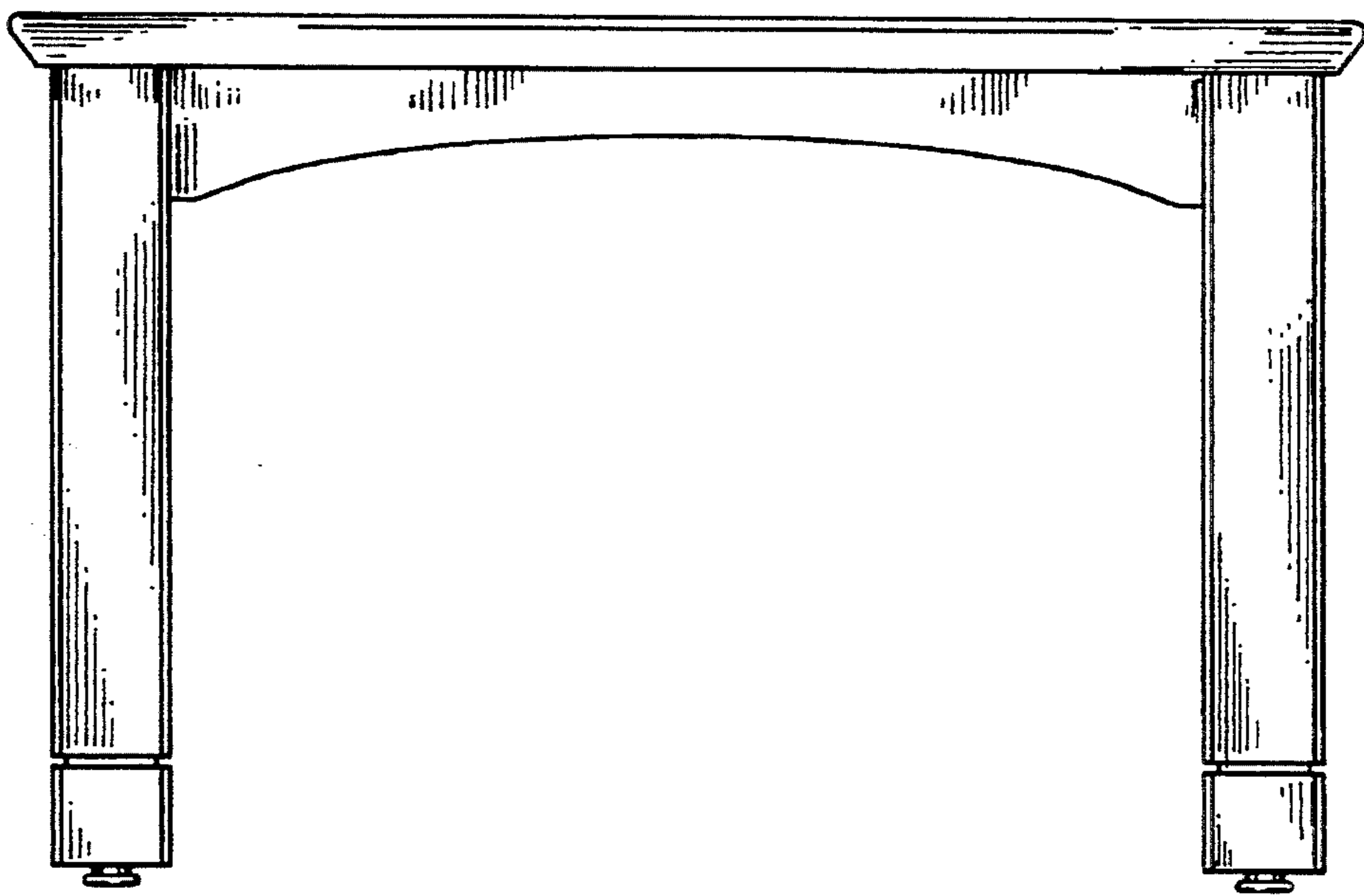


Fig. 5