



US00D357370S

United States Patent [19]

[11] Patent Number: **Des. 357,370**

Watts

[45] Date of Patent: **** Apr. 18, 1995**

- [54] TRAY
- [75] Inventor: **Jay Watts, San Diego, Calif.**
- [73] Assignee: **Creative Marketing, Inc., Encinitas, Calif.**
- [**] Term: **14 Years**
- [21] Appl. No.: **12,845**
- [22] Filed: **Sep. 13, 1993**
- [52] U.S. Cl. **D6/406**
- [58] Field of Search D6/406, 419, 482, 511; D12/415-425; D19/52, 90, 35; 108/43, 44, 47, 97, 99, 115, 150; 211/88; D7/550, 553, 554, 698

- 4,311,099 1/1982 Roberts D6/406
- 4,662,515 5/1987 Newby, Sr. 206/349
- 5,023,963 6/1991 Vogel 4/521

Primary Examiner—Alan P. Douglas
Assistant Examiner—S. Snapp
Attorney, Agent, or Firm—Woodard, Emhardt, Naughton Moriarty & McNett

[57] CLAIM

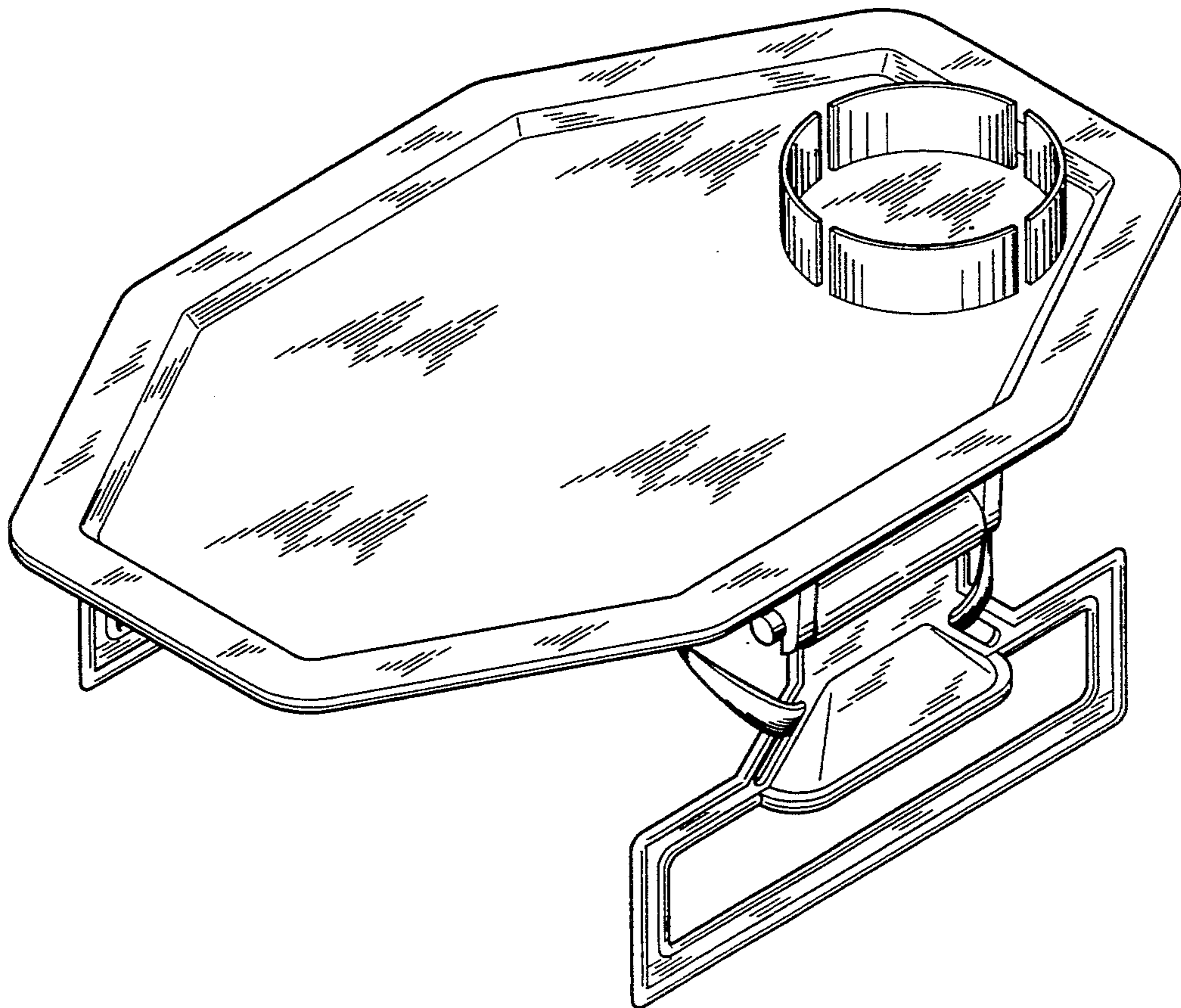
The ornamental design for a tray, as shown and described.

DESCRIPTION

FIG. 1 is a perspective view of the tray in a collapsed condition showing my new design;
 FIG. 2 is a top view;
 FIG. 3 is a left view;
 FIG. 4 is a right view;
 FIG. 5 is a back view;
 FIG. 6 is a front view;
 FIG. 7 is a bottom view;
 FIG. 8 is a perspective view of the tray of FIG. 1 only in the in-use position;
 FIG. 9 is a top view of the tray of FIG. 8;
 FIG. 10 is a left view of the tray of FIG. 9;
 FIG. 11 is a right view of the tray of FIG. 9;
 FIG. 12 is a rear view of the tray of FIG. 9;
 FIG. 13 is a front view of the tray of FIG. 9; and,
 FIG. 14 is a bottom view of the tray of FIG. 9.

[56] **References Cited**
U.S. PATENT DOCUMENTS

D. 153,940	5/1949	Higgs et al.	D6/406 X
D. 265,154	6/1982	Cox	D6/406
D. 280,729	9/1985	Paternostro	D12/419
D. 308,450	6/1990	Harris et al.	D6/406
D. 312,171	11/1990	Roth	D12/420
D. 344,625	3/1994	Berry	D12/416
1,546,116	7/1925	Bradt	248/637
2,039,922	5/1936	Neats et al.	108/25
2,692,174	10/1954	Whitehead	108/157
2,766,919	10/1956	Randall	294/144
2,787,507	4/1957	Powers	108/43
3,185,113	5/1965	Nathan et al.	108/47
3,709,158	1/1973	Kidd	108/43



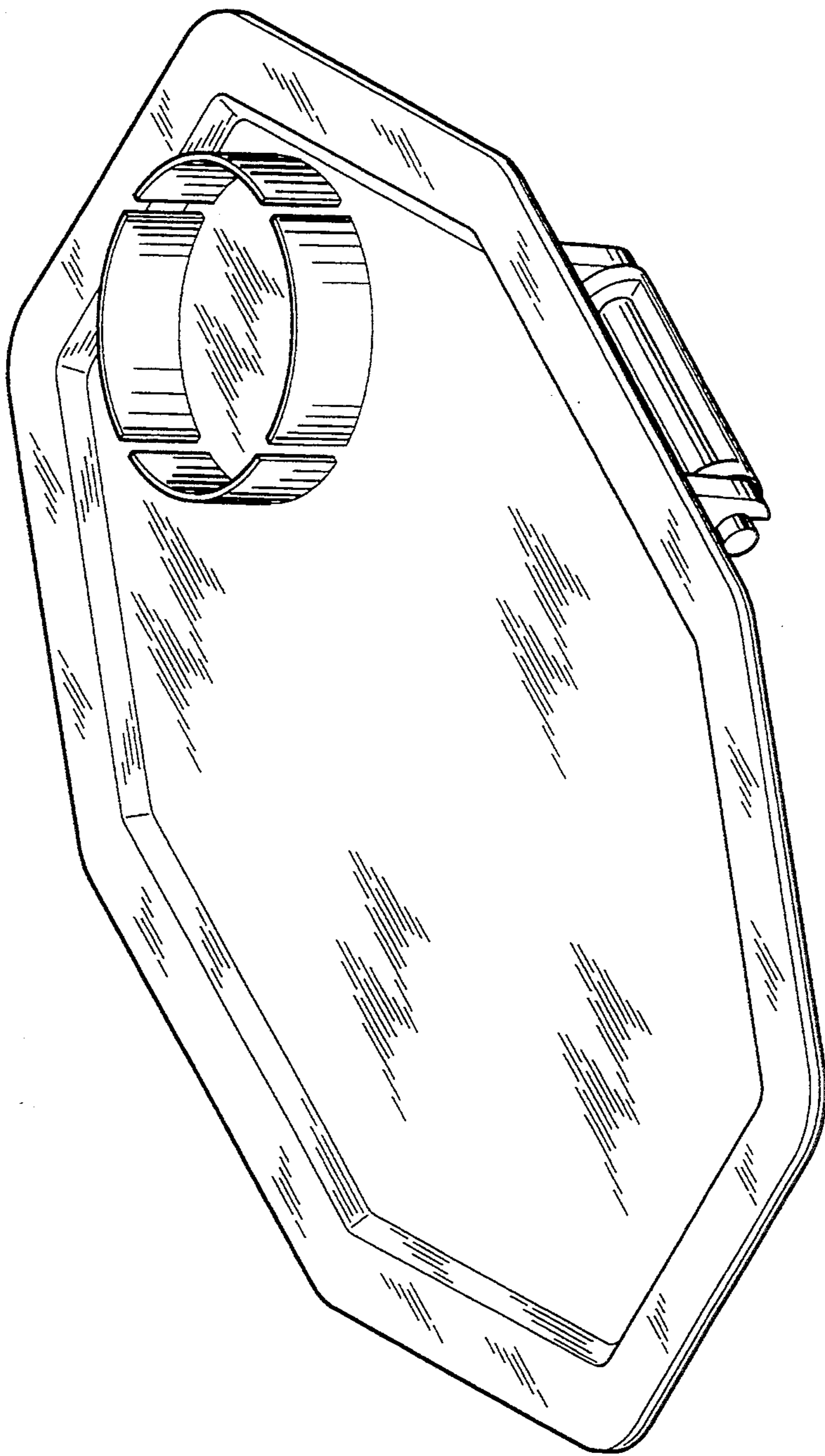


Fig. 1

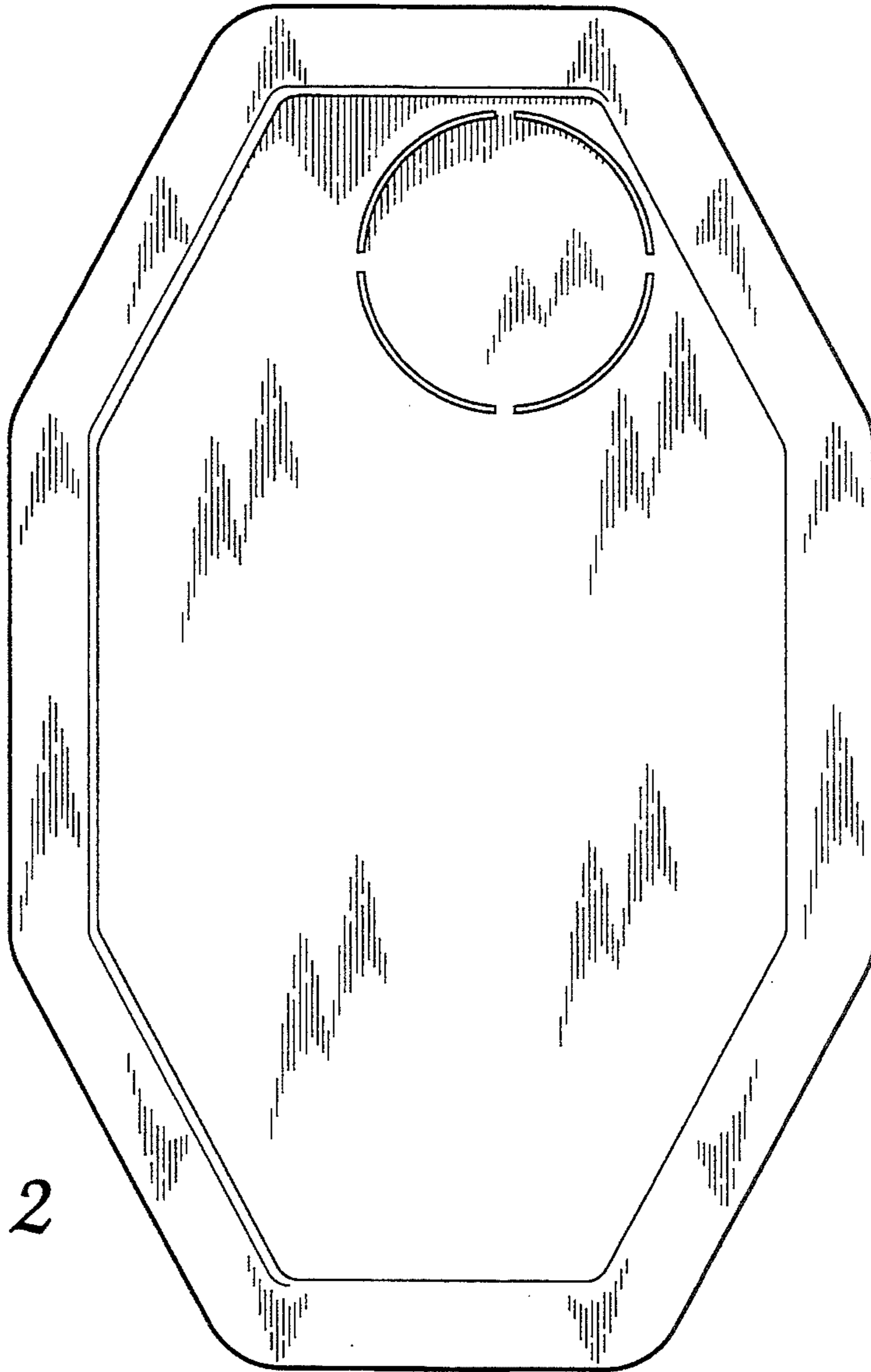


Fig. 2

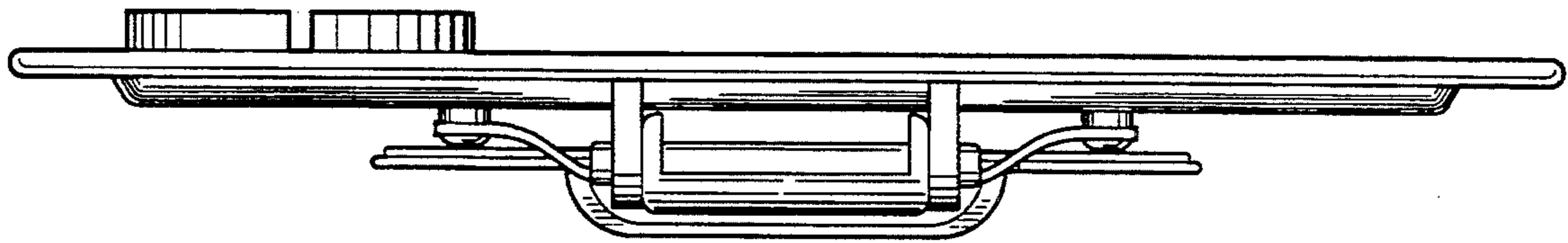


Fig. 3

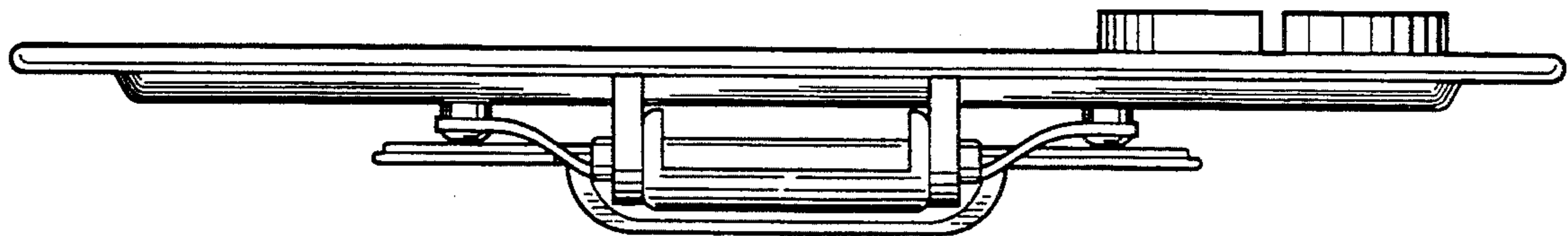


Fig. 4

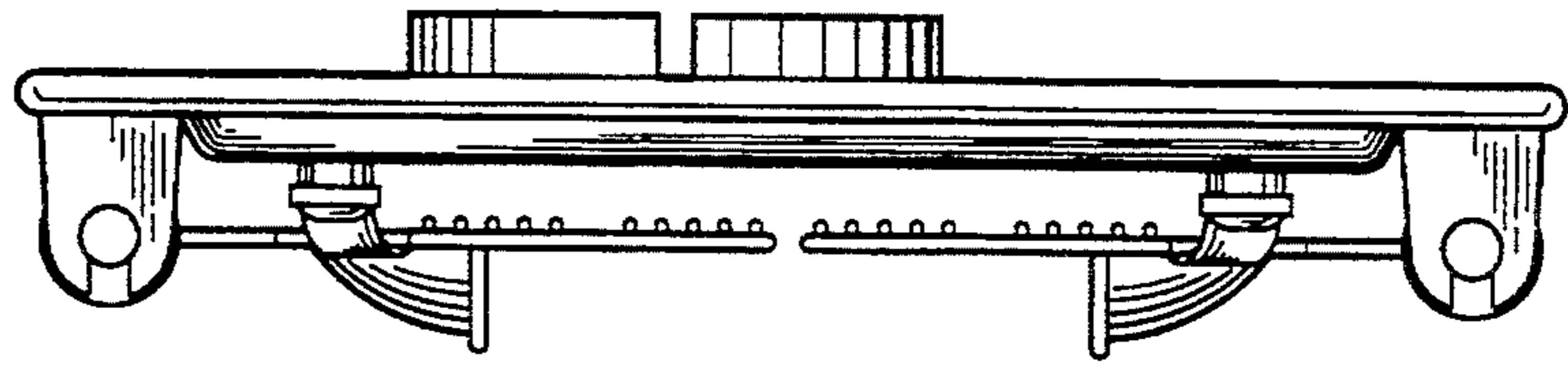


Fig. 5

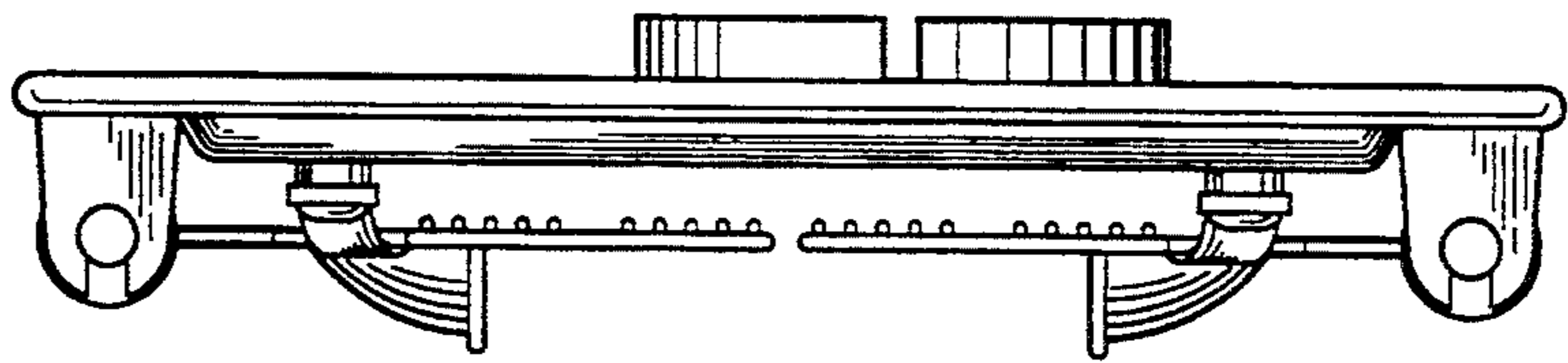


Fig. 6

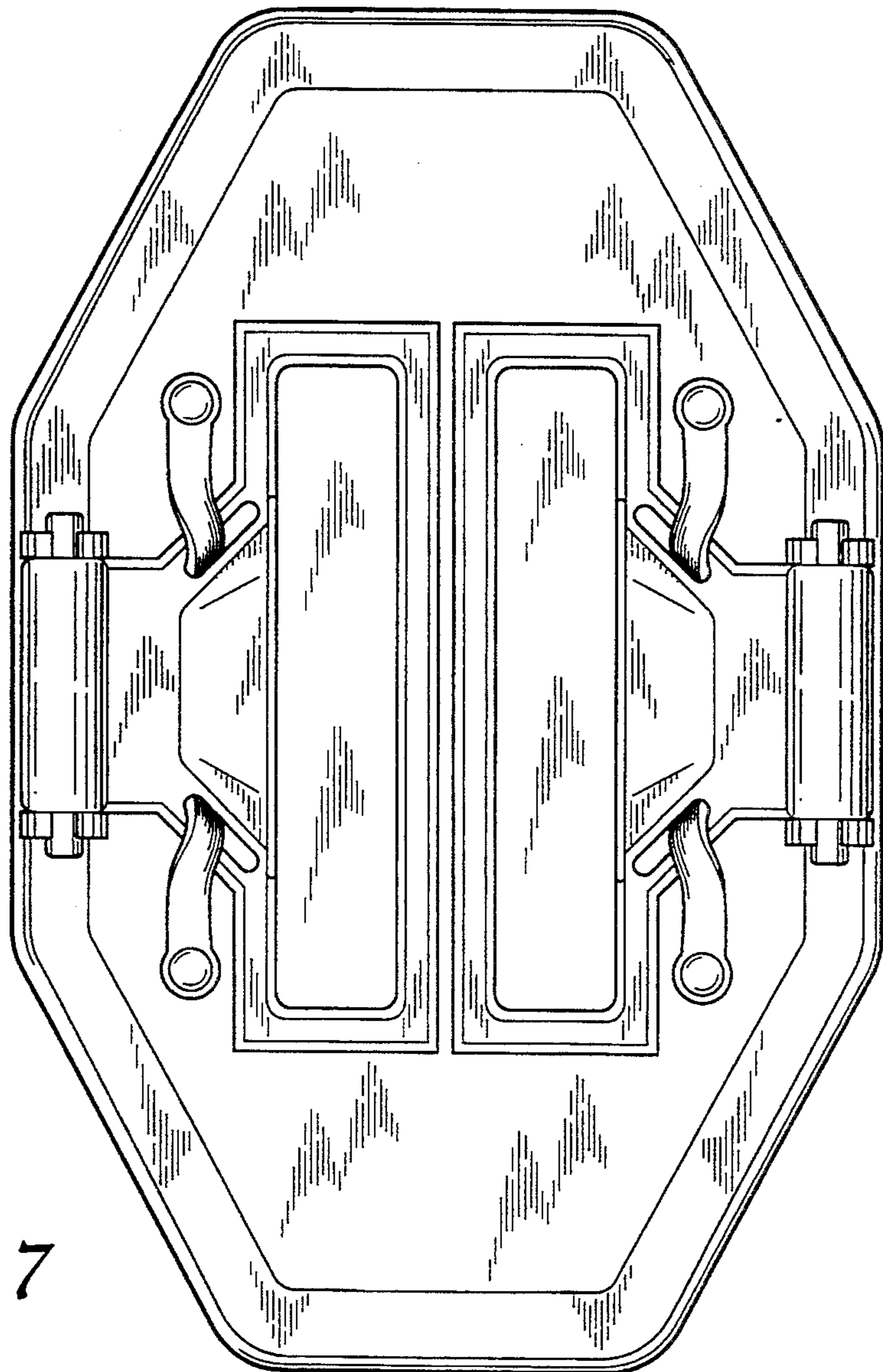


Fig. 7

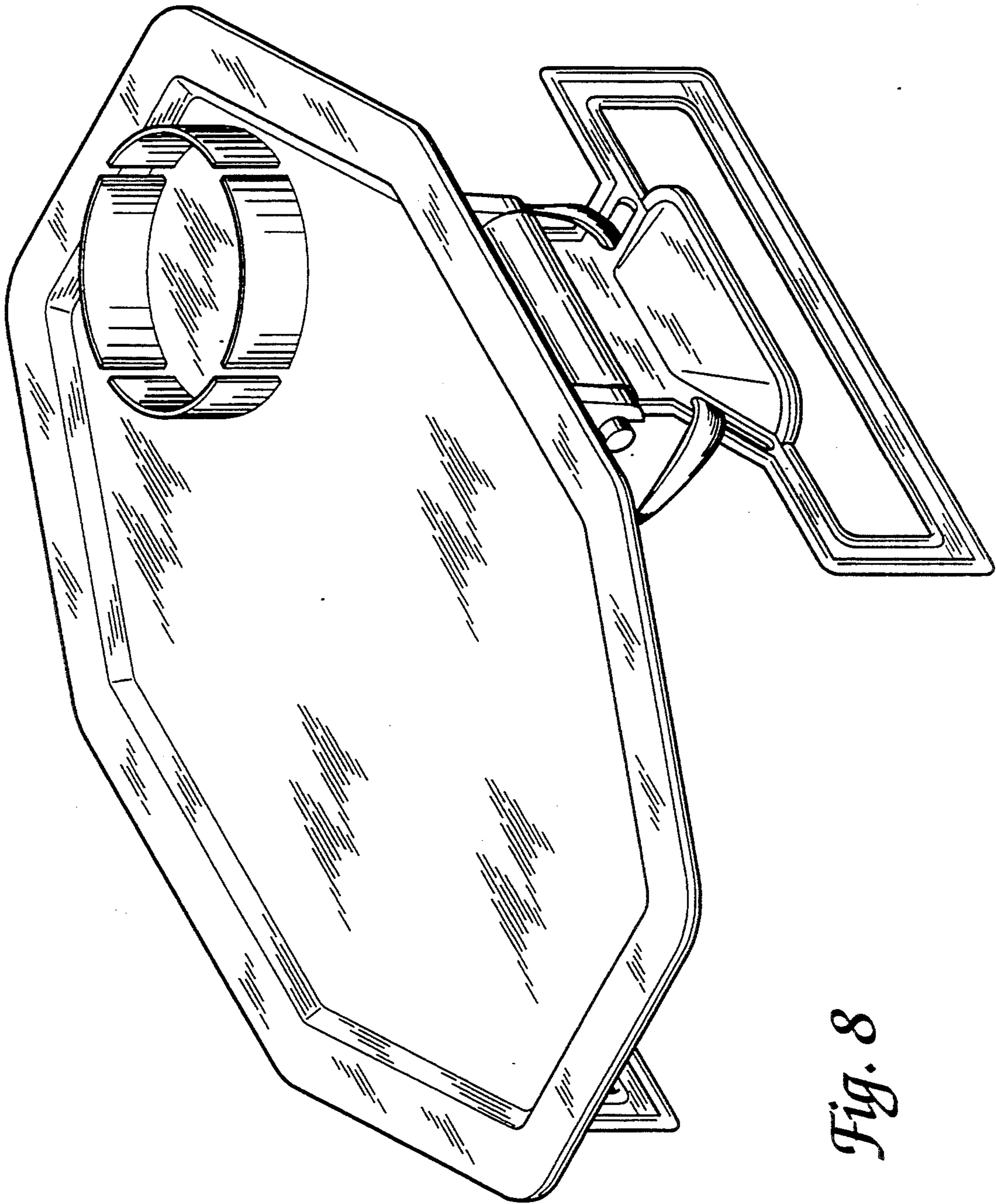


Fig. 8

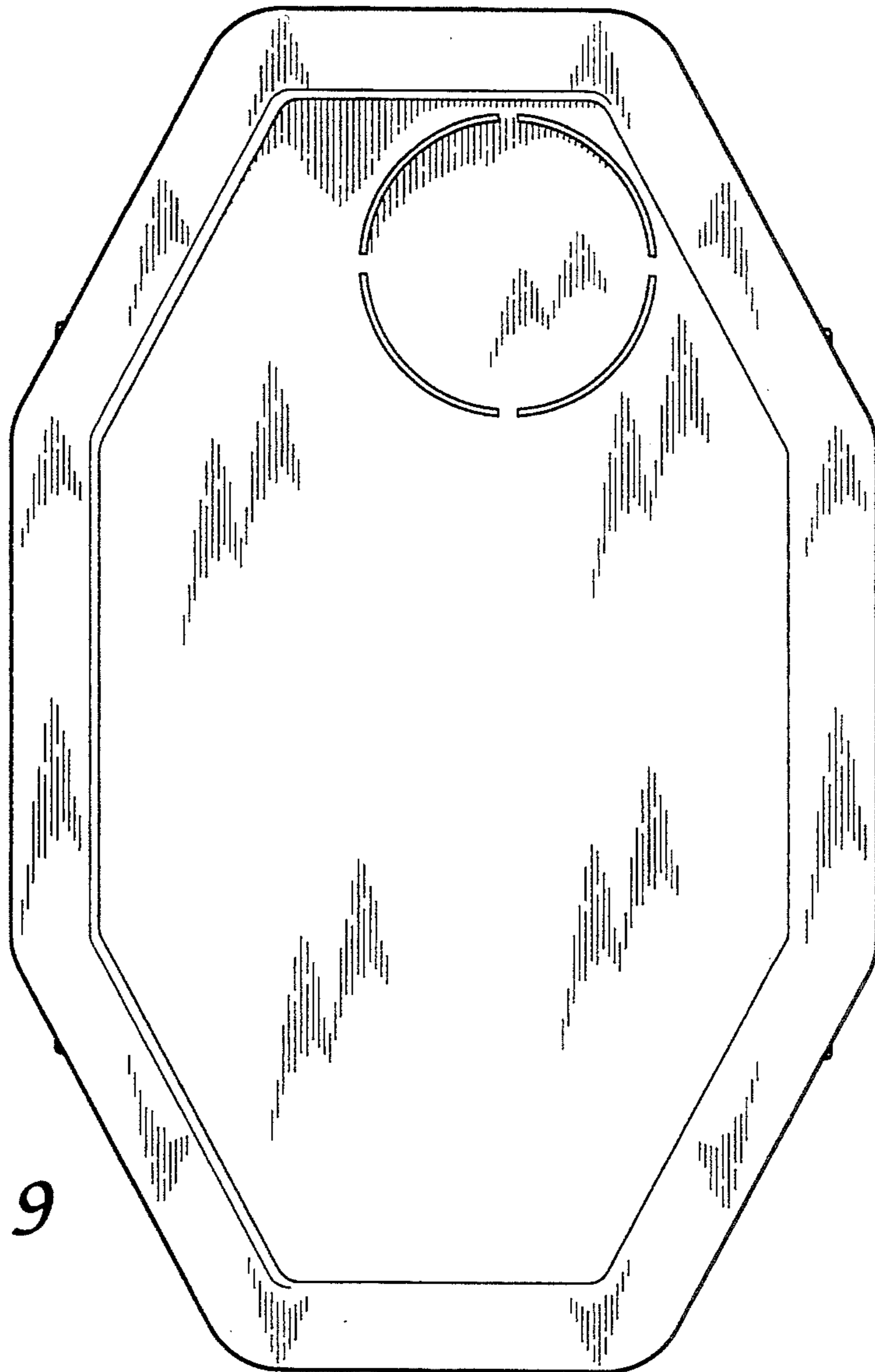


Fig. 9

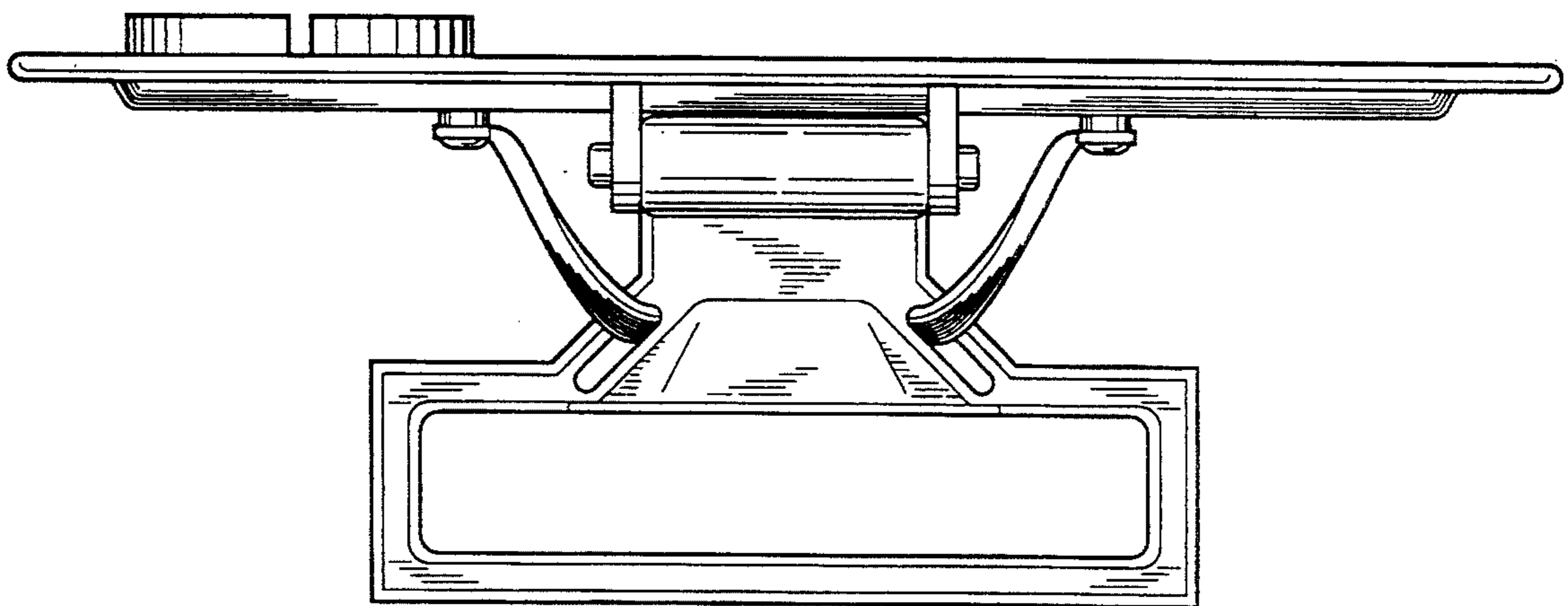


Fig. 10

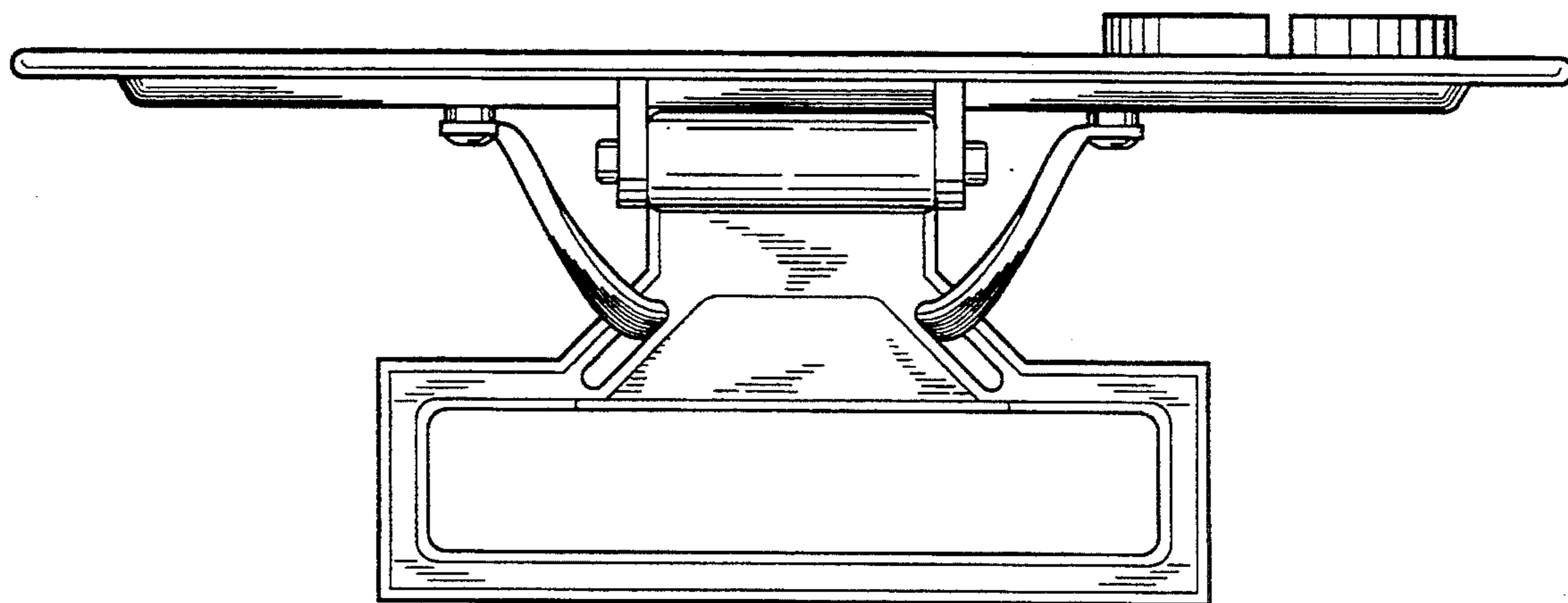


Fig. 11

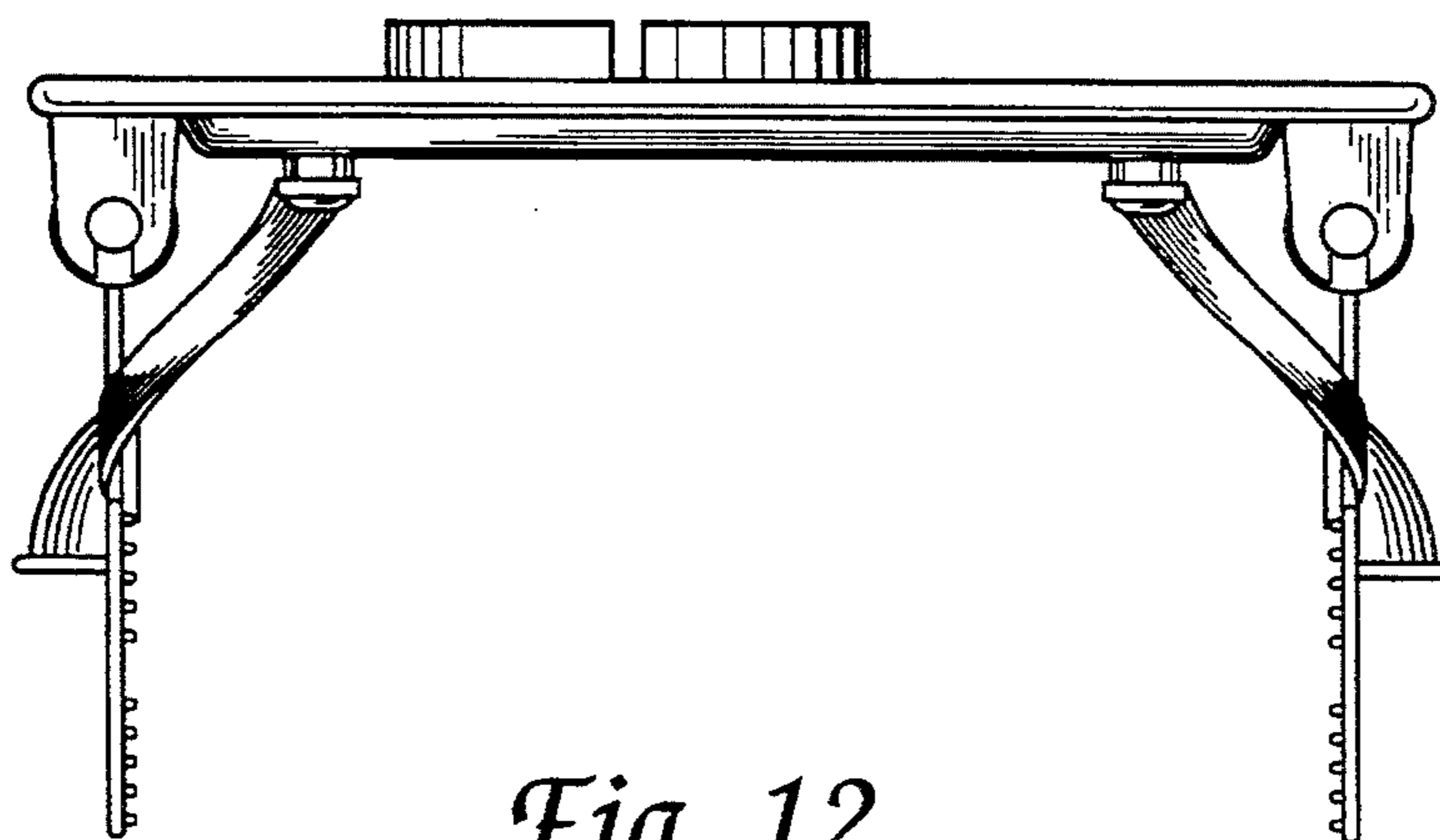


Fig. 12

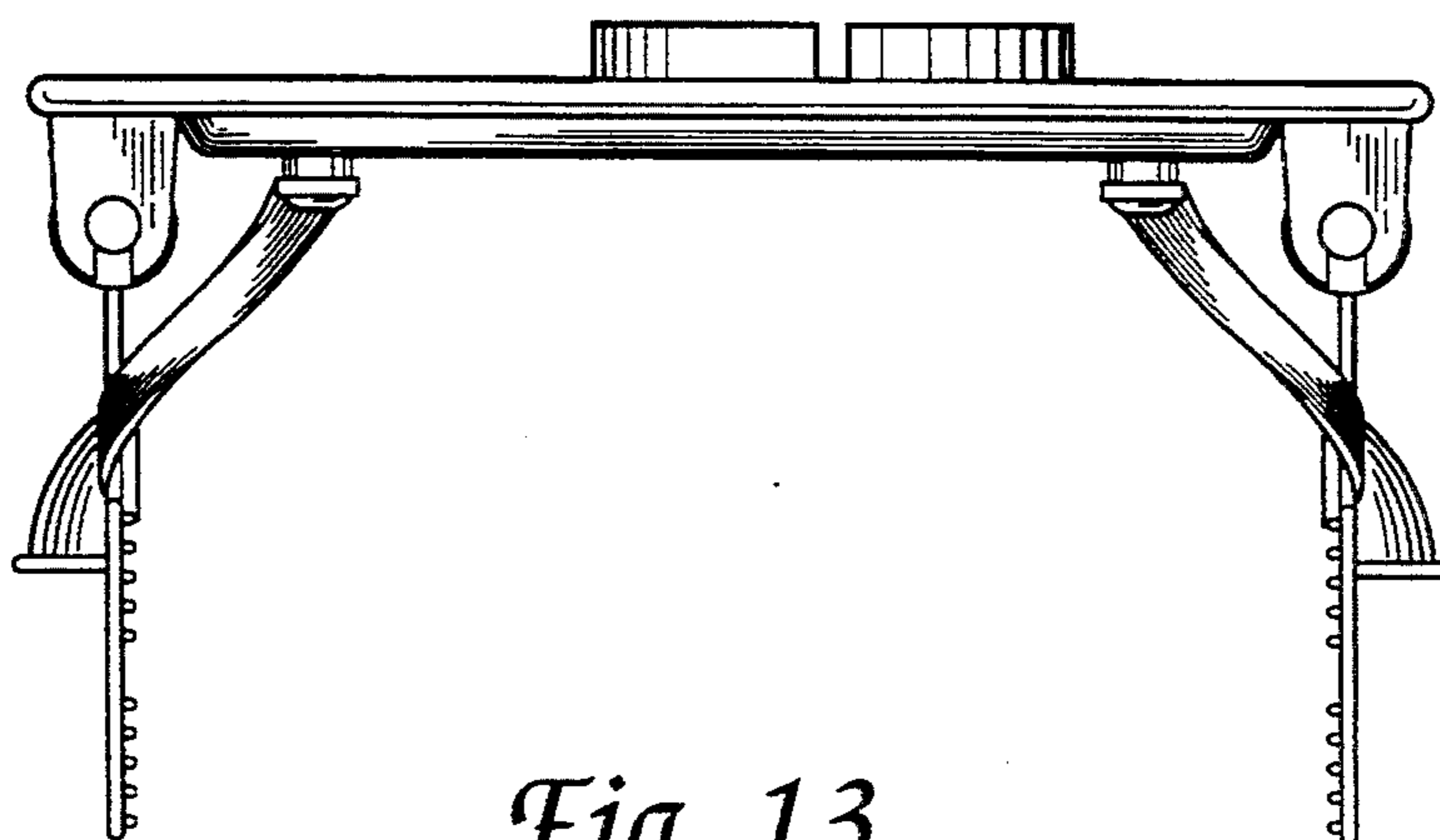


Fig. 13

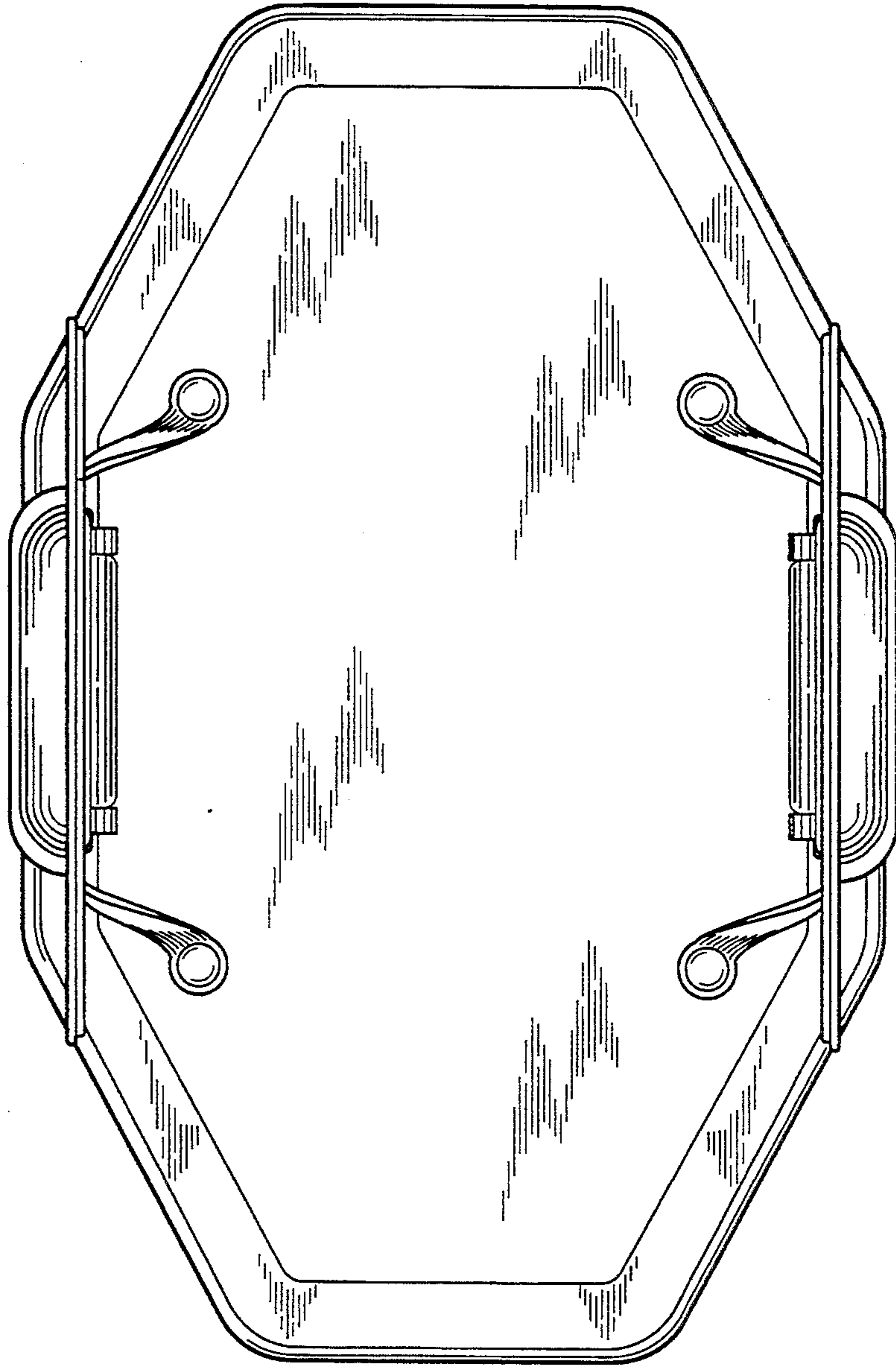


Fig. 14