



US00D357365S

United States Patent [19]

[11] Patent Number: Des. 357,365

Ward et al.

[45] Date of Patent: ** Apr. 18, 1995

[54] FOLDING CHAIR

3,094,357 6/1963 Shwayder D6/368 X
3,695,687 10/1972 Uyeda .

[75] Inventors: Eric A. Ward, Telford; Claude N. Smelcer, Parrottsville, both of Tenn.

Primary Examiner—Alan P. Douglas
Assistant Examiner—Gary D. Watson
Attorney, Agent, or Firm—David H. Semmes

[73] Assignee: Mecco Corporation, Greeneville, Tenn.

[57] CLAIM

[**] Term: 14 Years

The ornamental design for a folding chair, as shown and described.

[21] Appl. No.: 20,232

DESCRIPTION

[22] Filed: Mar. 22, 1994

[52] U.S. Cl. D6/368; D6/380

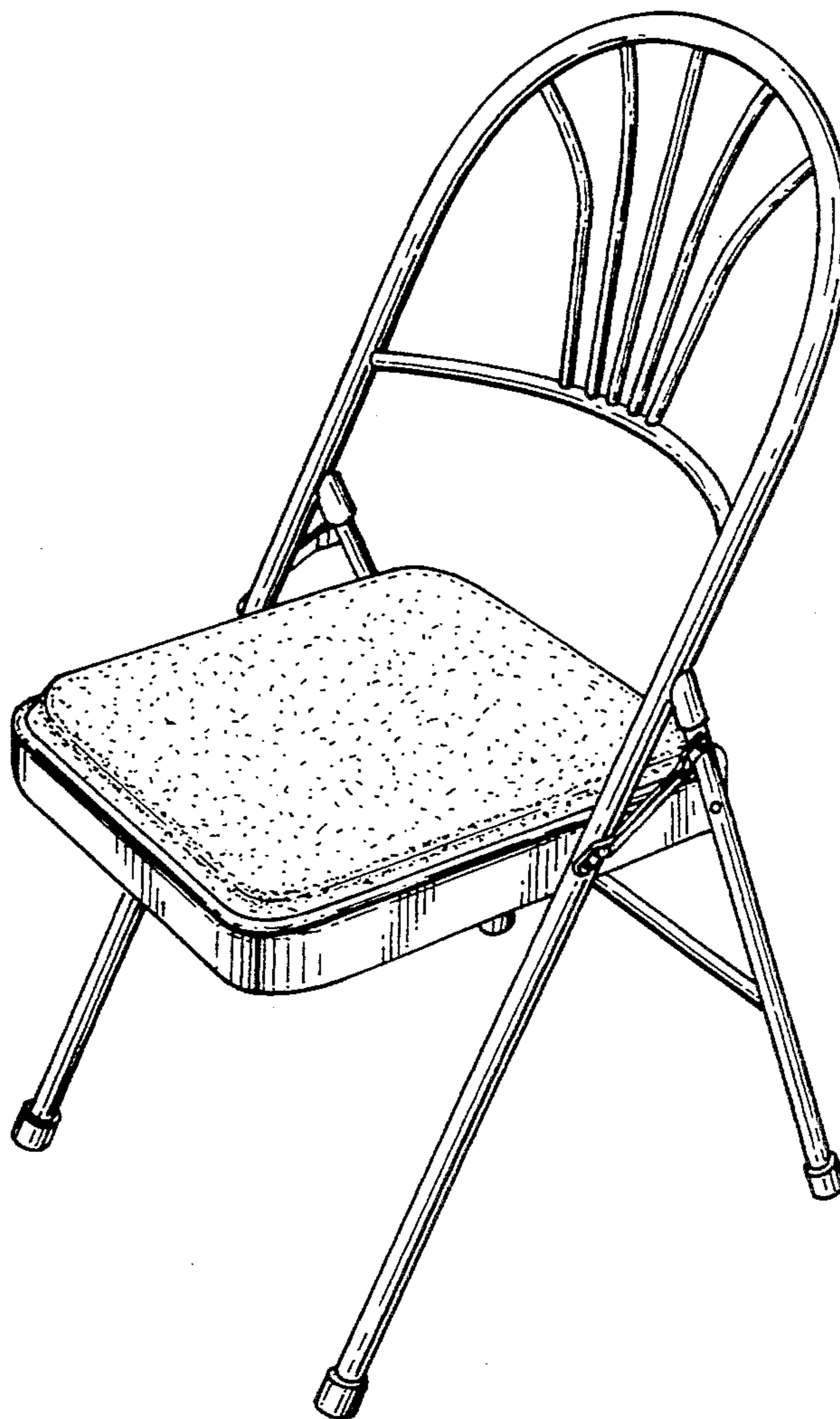
[58] Field of Search D6/334, 368, 370, 374, D6/380, 500, 501, 502; 297/55, 58

FIG. 1 is a perspective view of the folding chair in open position;
FIG. 2 is a front elevation;
FIG. 3 is a rear elevation;
FIG. 4 is a right side elevation;
FIG. 5 is a left side elevation;
FIG. 6 is a top plan;
FIG. 7 is a bottom plan;
FIG. 8 is a front perspective view of the folding chair in folded position for storage; and,
FIG. 9 is a rear perspective view of the folding chair in folded position for storage.

[56] References Cited

U.S. PATENT DOCUMENTS

D. 124,217	12/1940	Bales	D6/368
D. 185,312	5/1959	Rassier	D6/380
D. 310,606	9/1990	Keller	D6/380
2,865,437	12/1958	Shwayder	297/55
2,877,829	3/1959	Ferar et al.	297/55



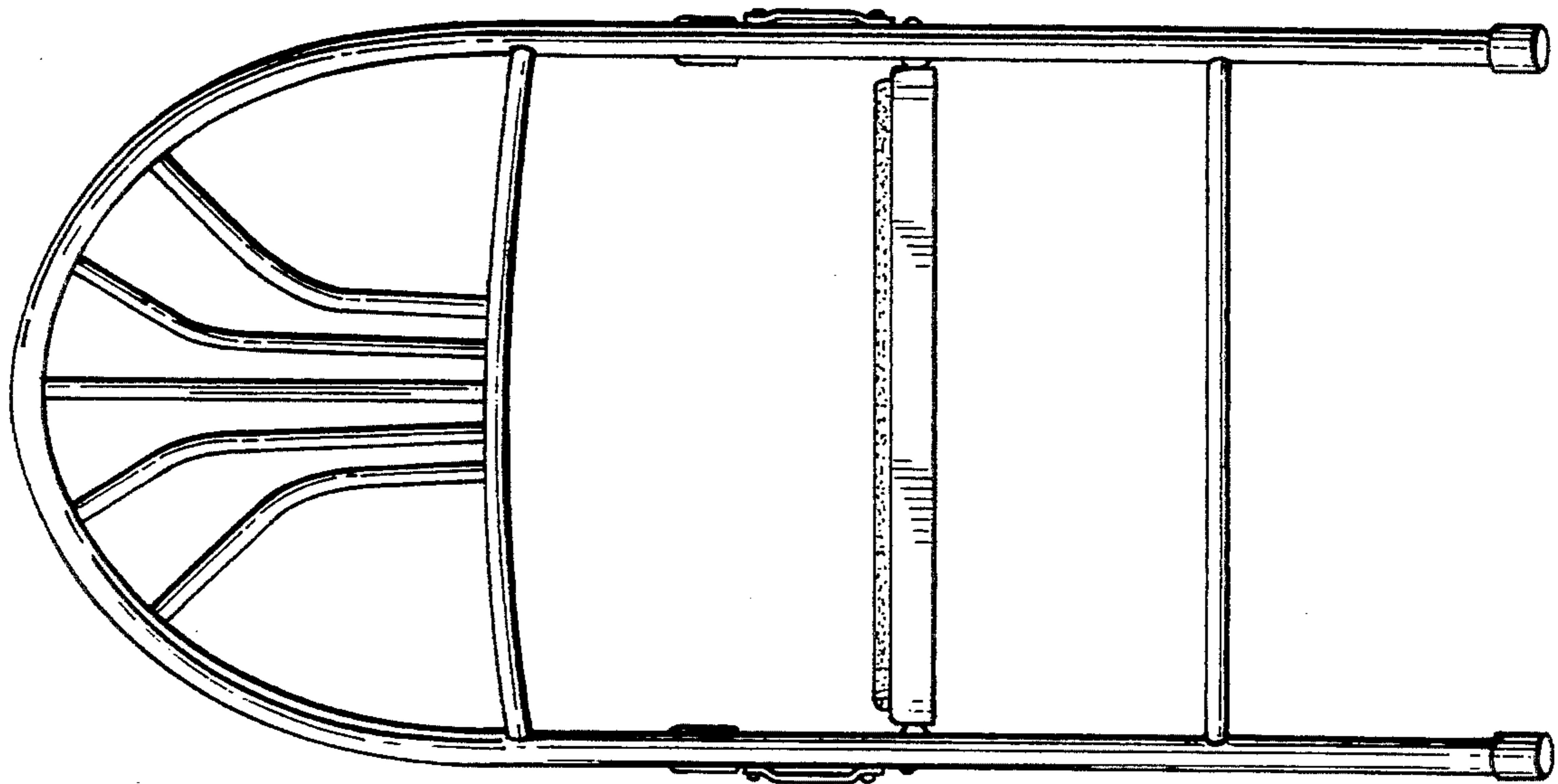


FIG. 2

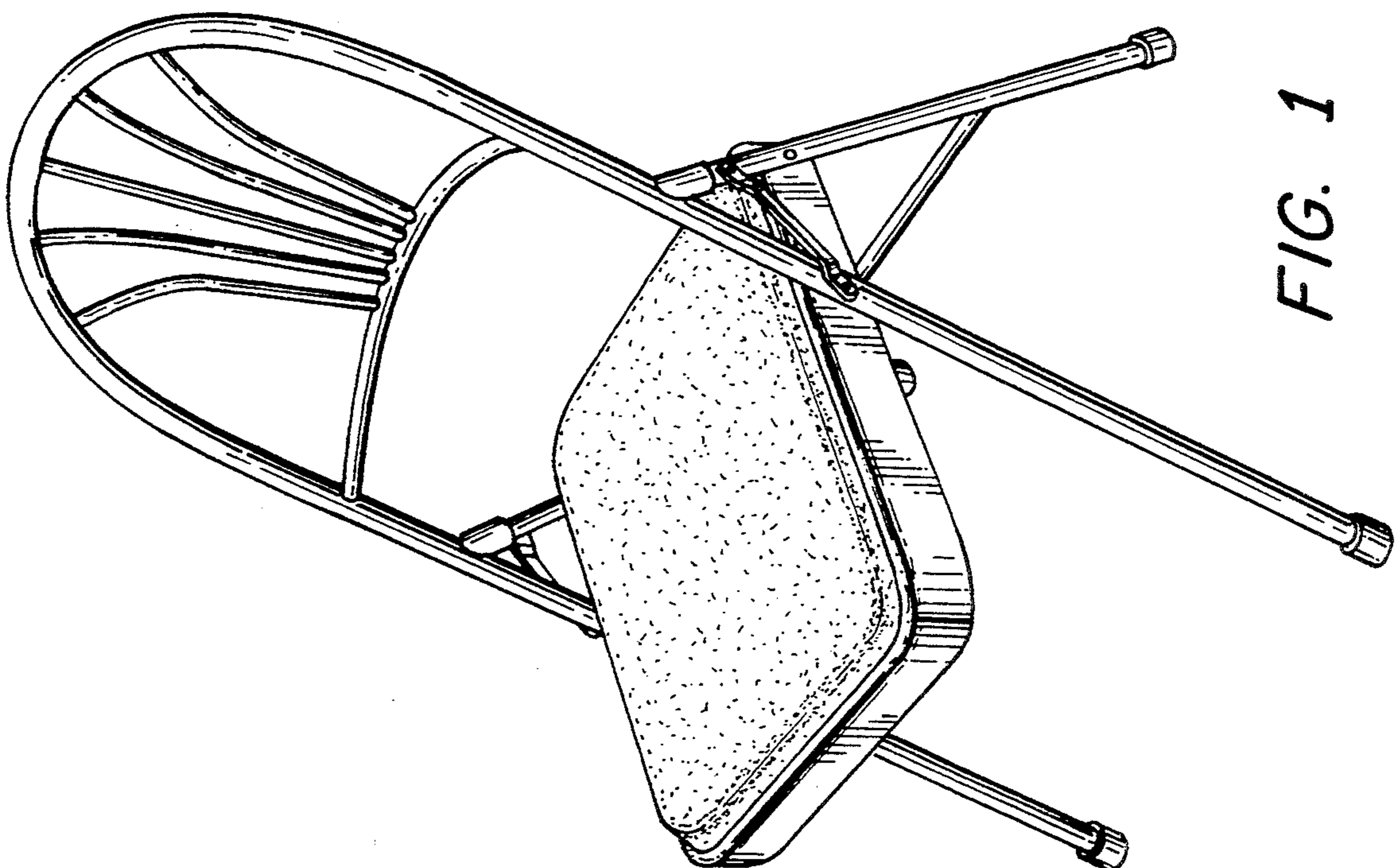


FIG. 1

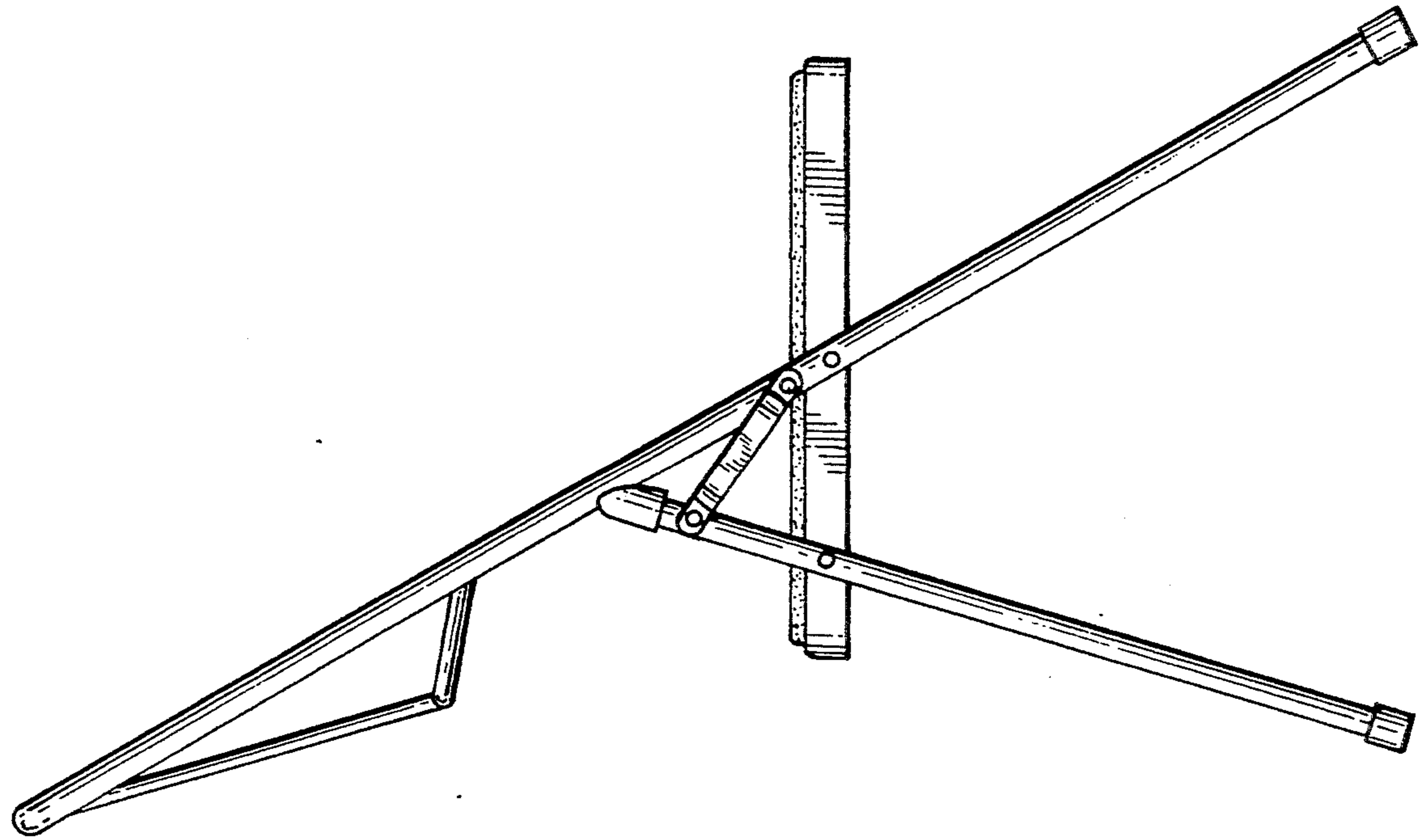


FIG. 4

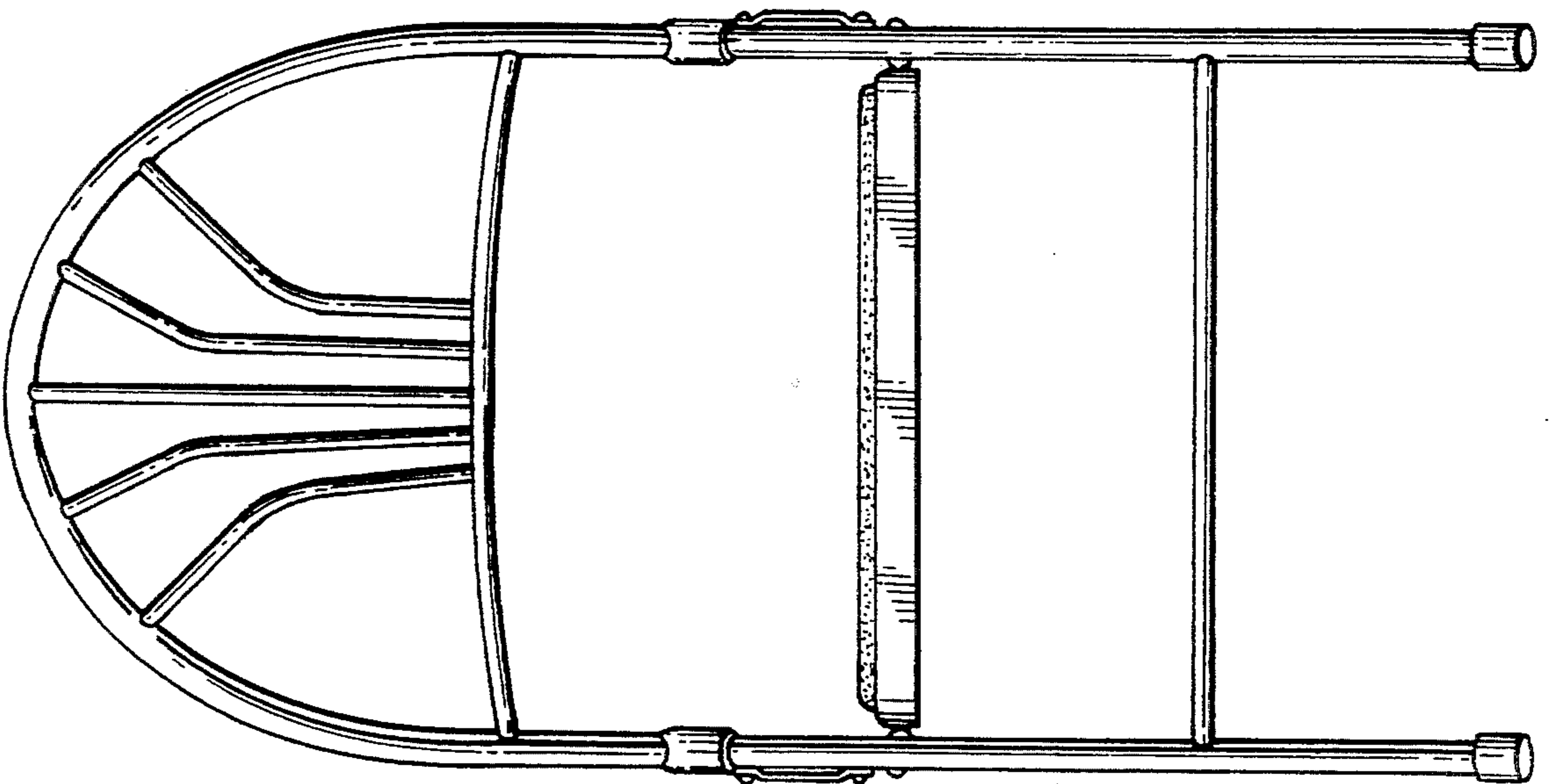


FIG. 3

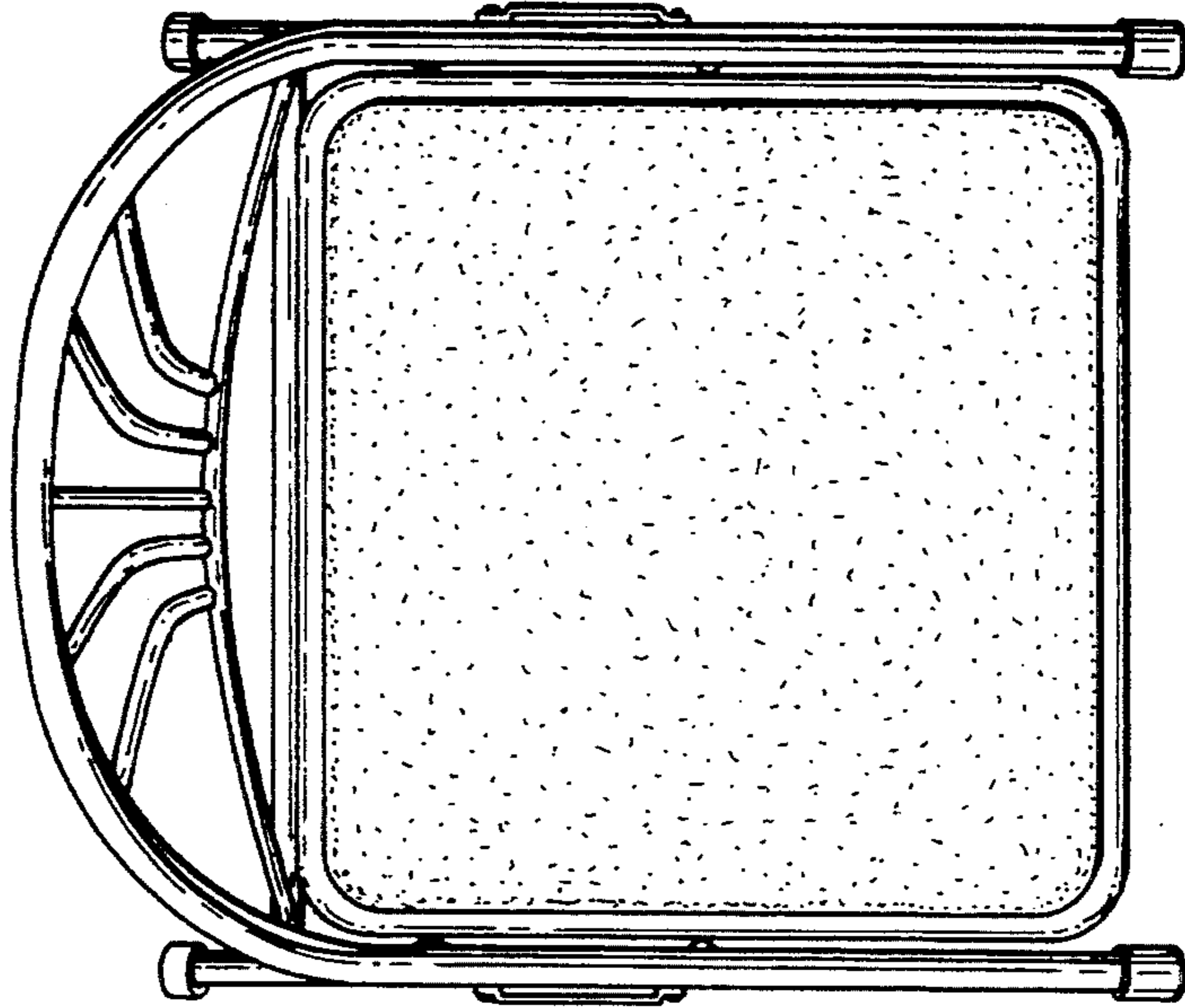


FIG. 6

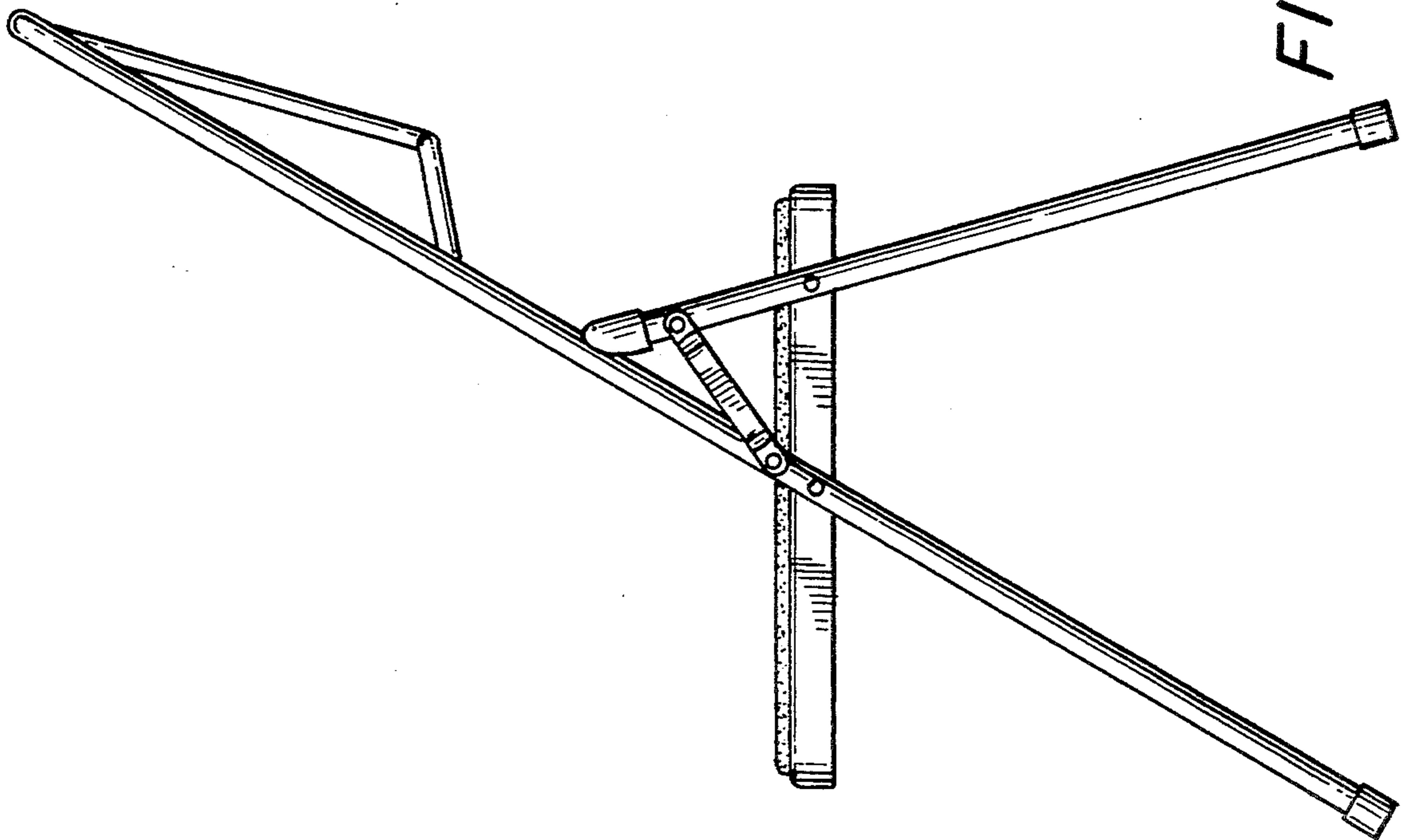


FIG. 5

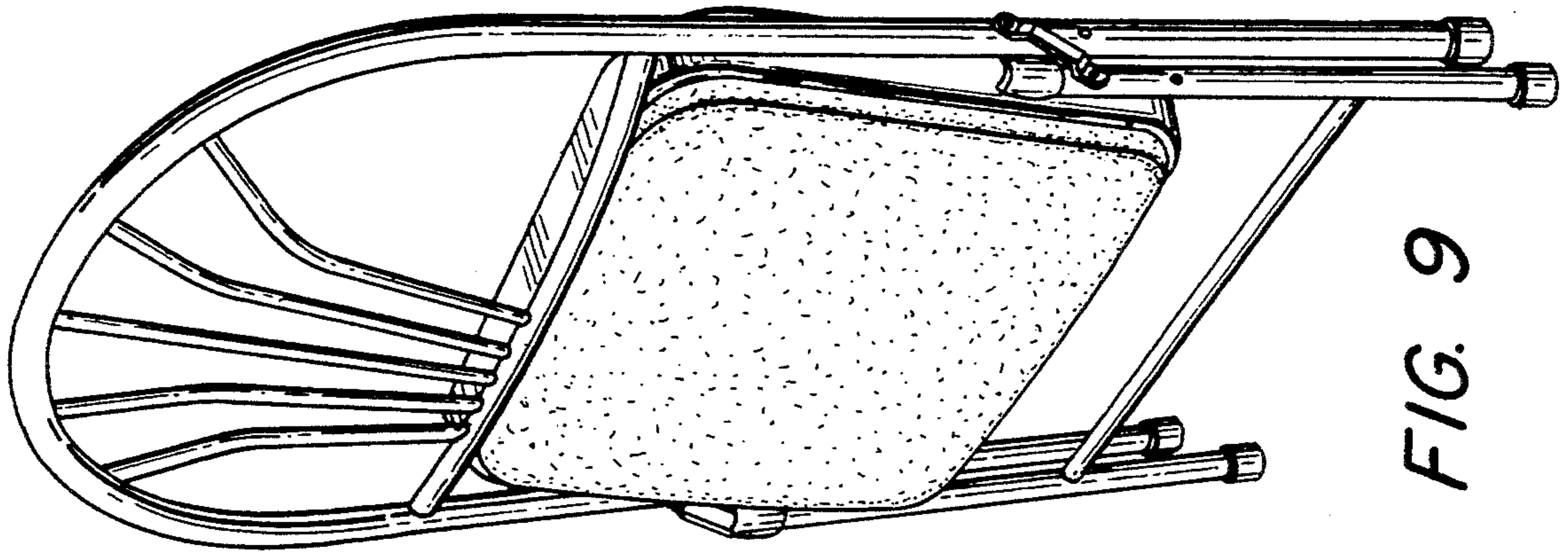


FIG. 9

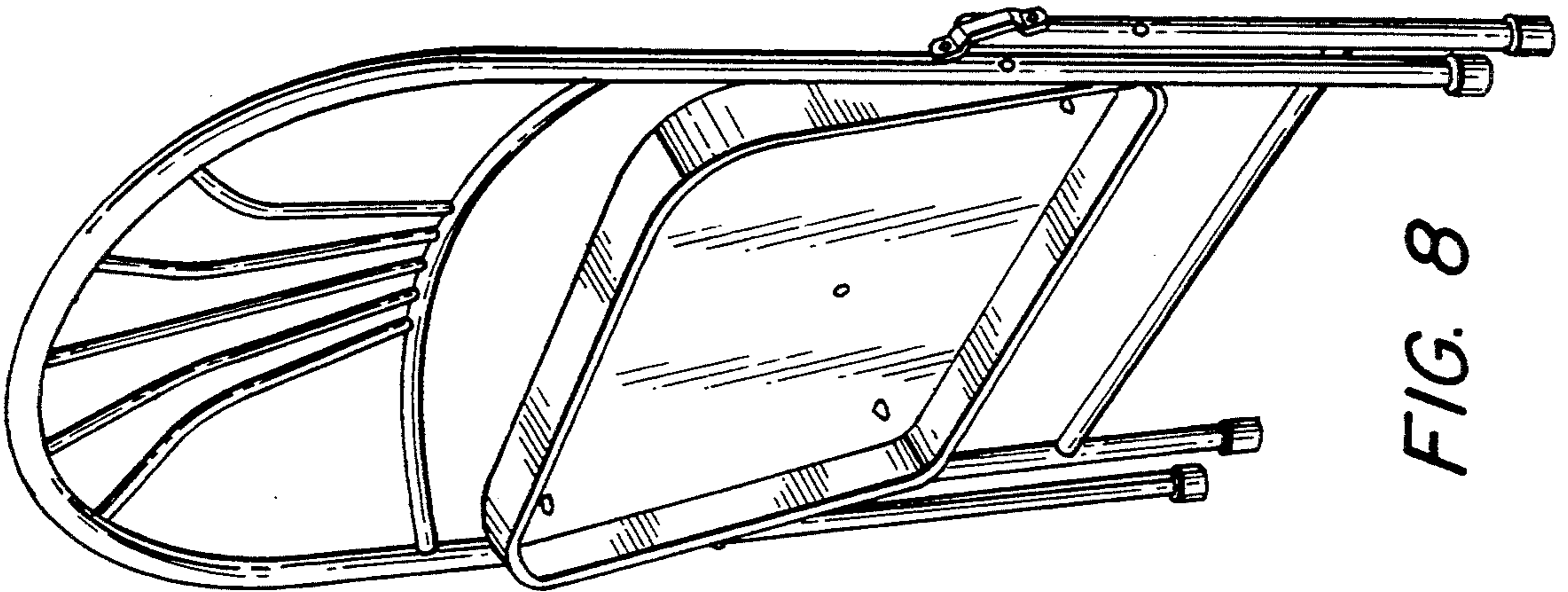


FIG. 8

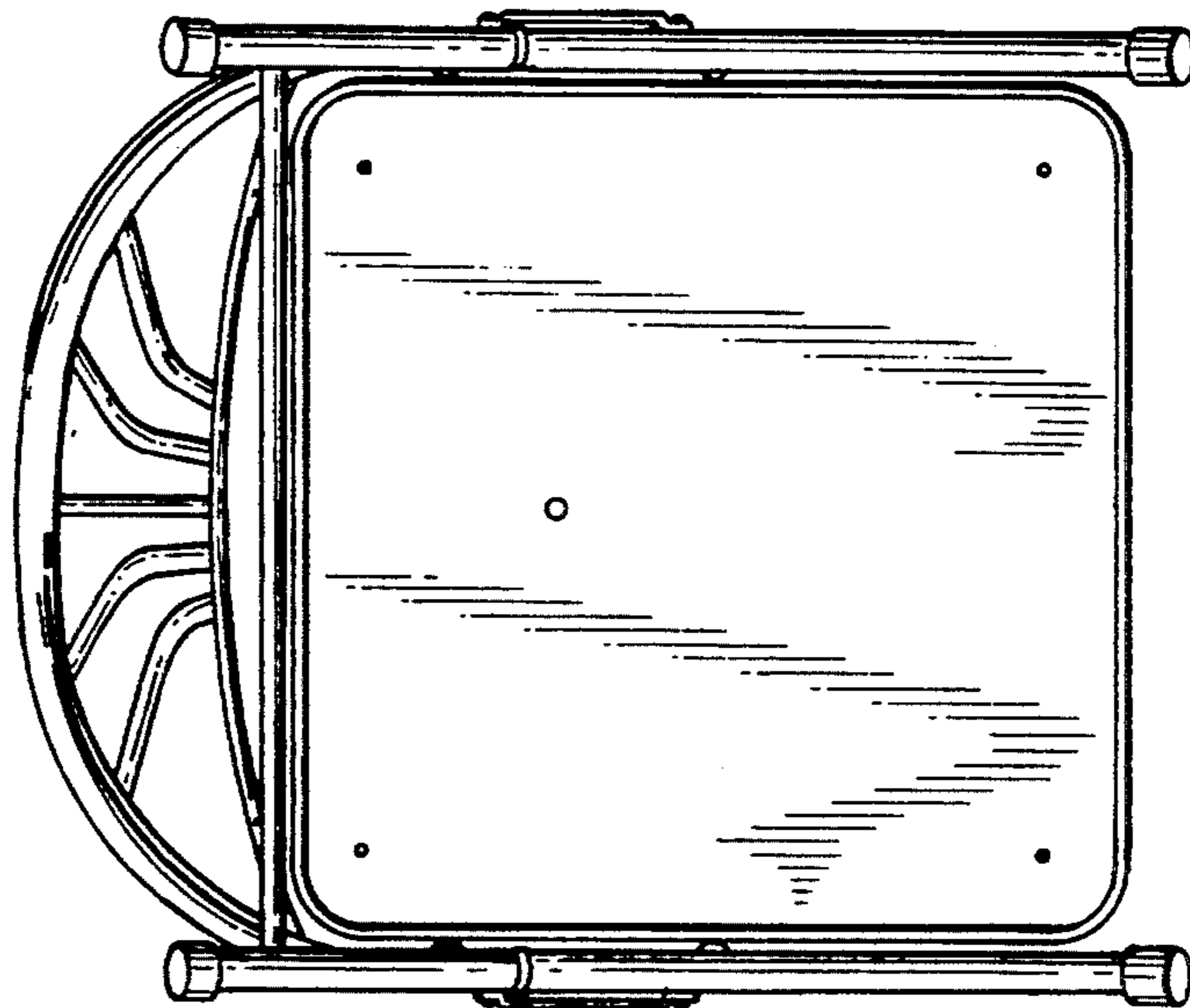


FIG. 7