



US00D357362S

# United States Patent [19]

[11] Patent Number: **Des. 357,362**

**Pedersen**

[45] Date of Patent: **\*\* Apr. 18, 1995**

[54] **STOOL**

[76] Inventor: **William Pedersen, 7 W. 81st St., New York, N.Y. 10024**

[\*\*] Term: **14 Years**

[21] Appl. No.: **18,924**

[22] Filed: **Feb. 17, 1994**

[52] U.S. Cl. .... **D6/355; D6/371**

[58] Field of Search ..... **D6/334, 335, 349, 355, D6/371, 373, 374, 500, 501, 502; 297/452.10, 452.12, 452.15, 452.29, 452.30, 452.31**

D. 101,223 9/1936 Jiranek ..... D6/349  
D. 236,395 8/1975 Kinsman ..... D6/374  
3,700,282 10/1972 Rowland ..... D6/371 X

*Primary Examiner*—Alan P. Douglas  
*Assistant Examiner*—Gary D. Watson  
*Attorney, Agent, or Firm*—Michael Ebert

### [57] CLAIM

The ornamental design for a stool, as shown.

### DESCRIPTION

FIG. 1 is a perspective view of my design for a stool; FIG. 2 is a front elevational view of the stool; FIG. 3 is a rear elevational view of the stool; FIG. 4 is a view of one side of the stool; FIG. 5 is a view of the opposite side of the stool; FIG. 6 is a top plan view of the stool; and, FIG. 7 is a bottom plan view of the stool.

### [56] References Cited

#### U.S. PATENT DOCUMENTS

D. 45,912 6/1914 Martin ..... D6/349 X  
D. 49,154 6/1916 Martin ..... D6/349 X

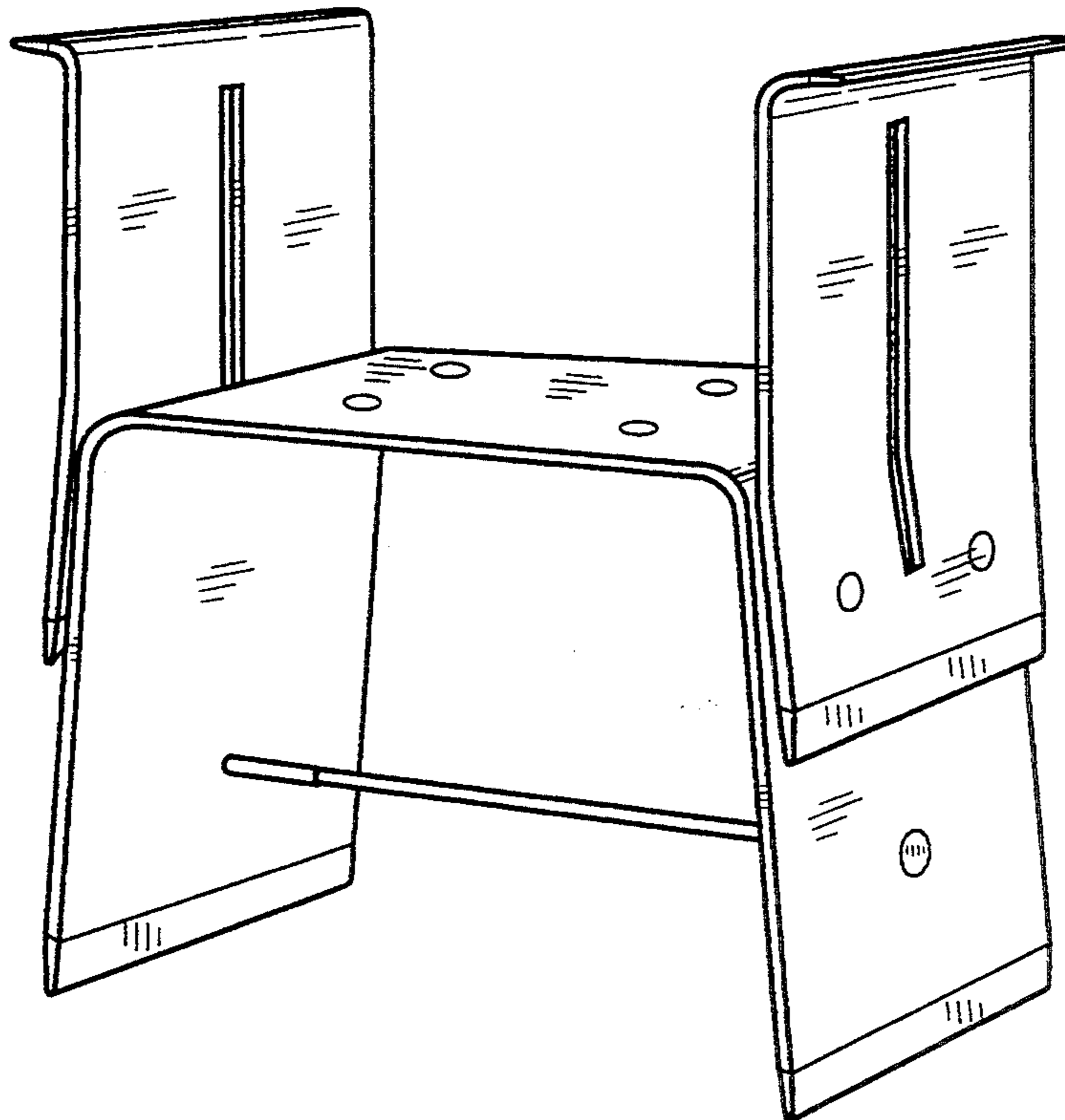


FIG. 1

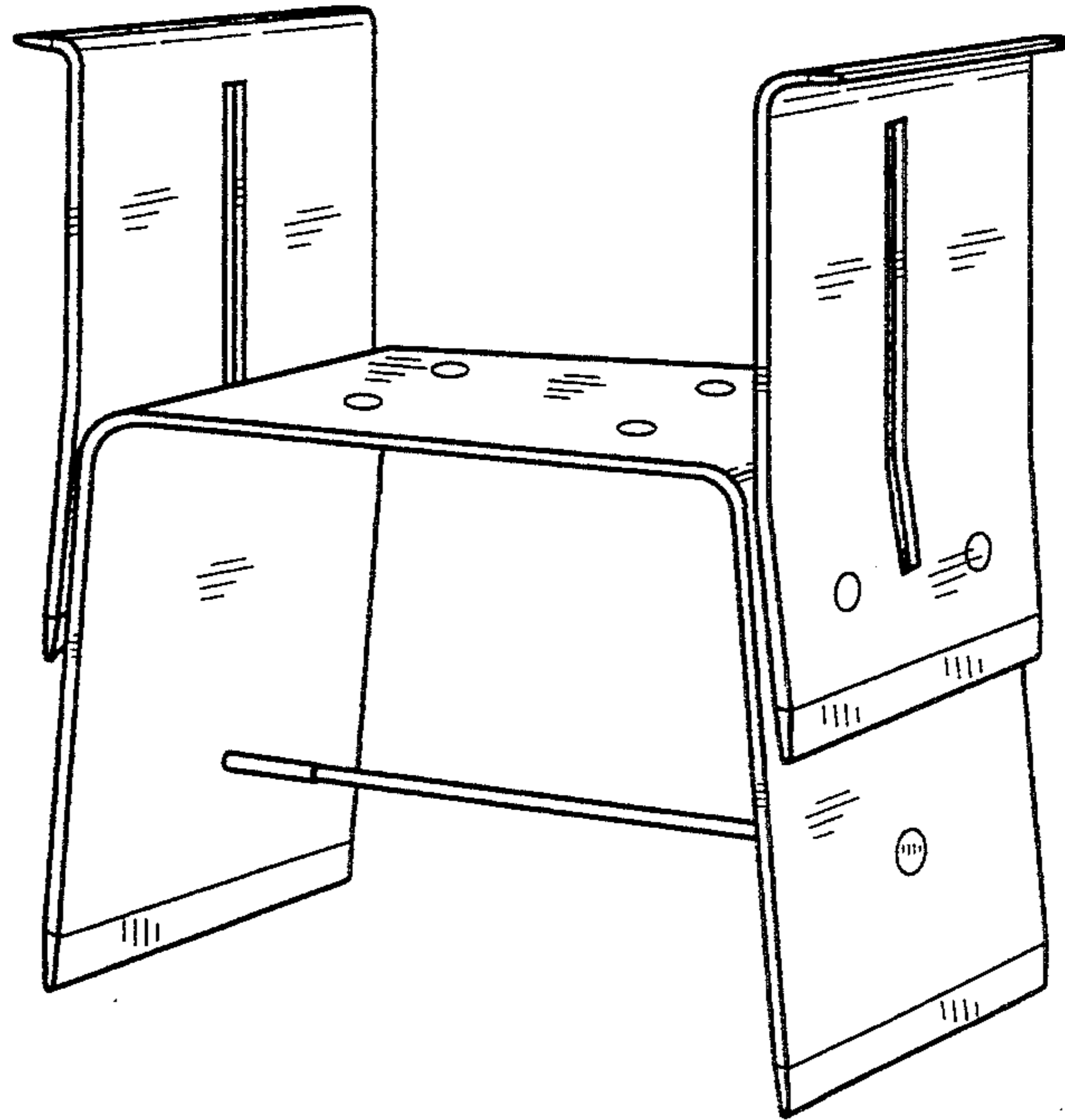


FIG. 4

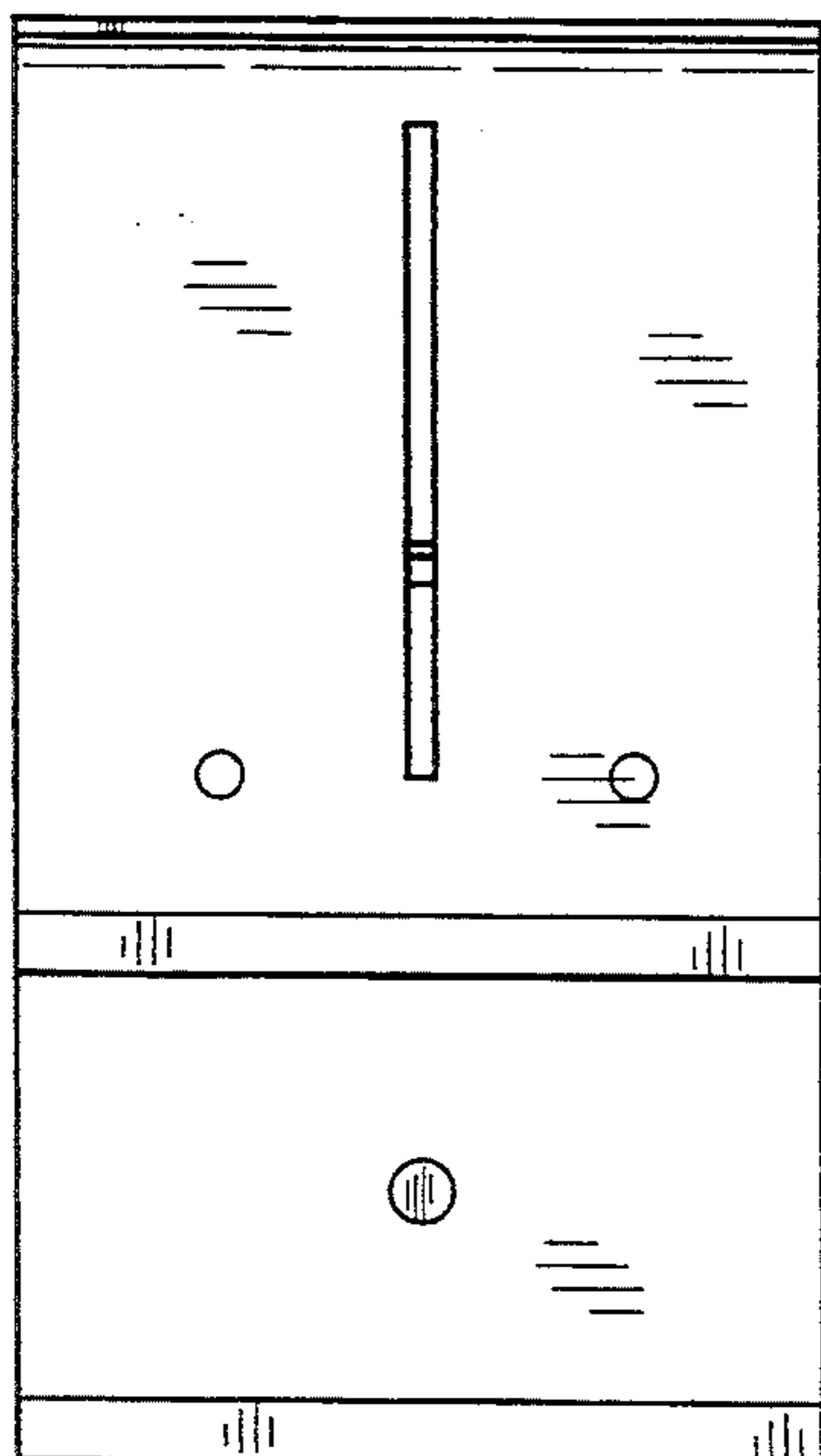


FIG. 5

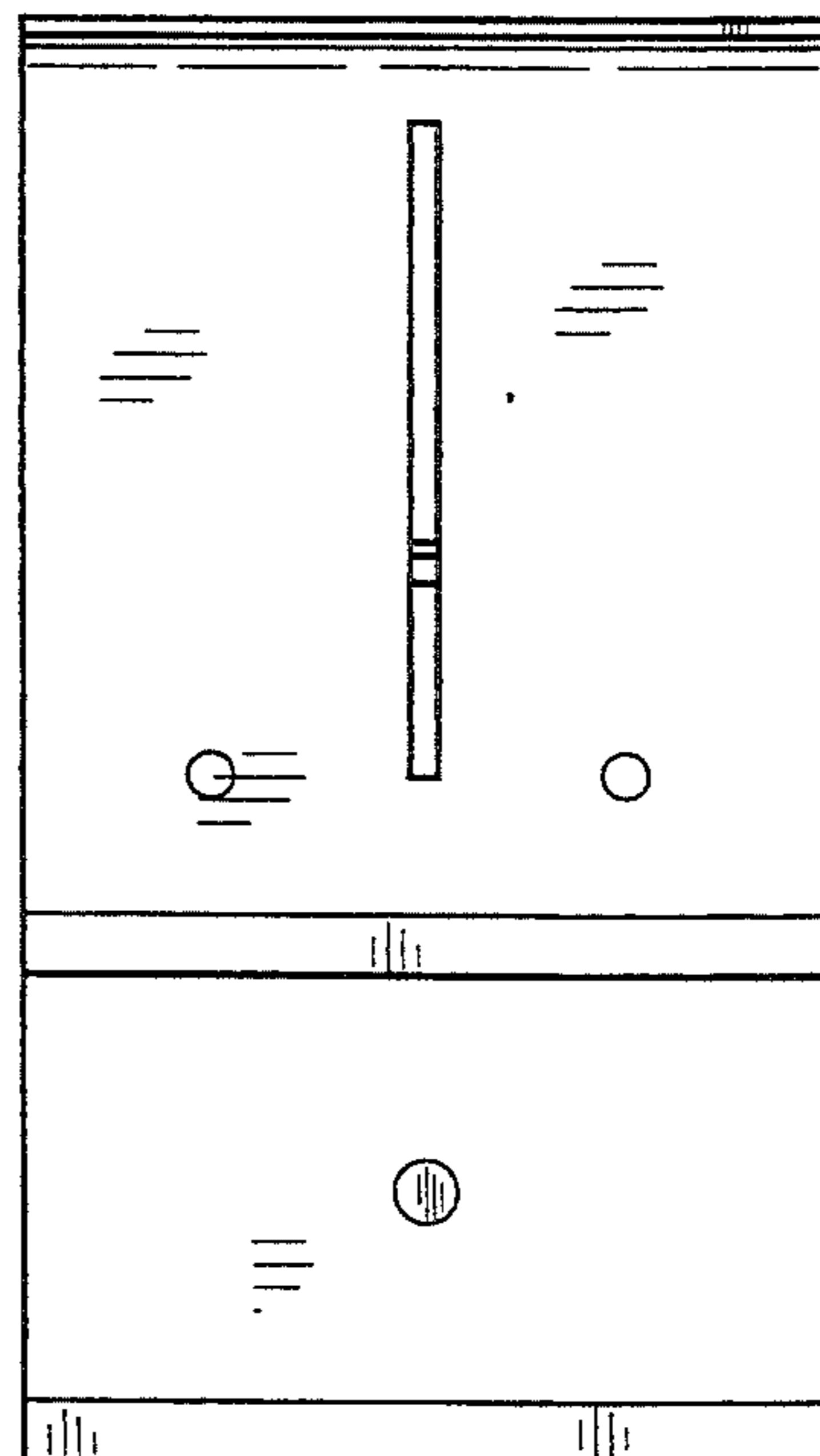


FIG. 3

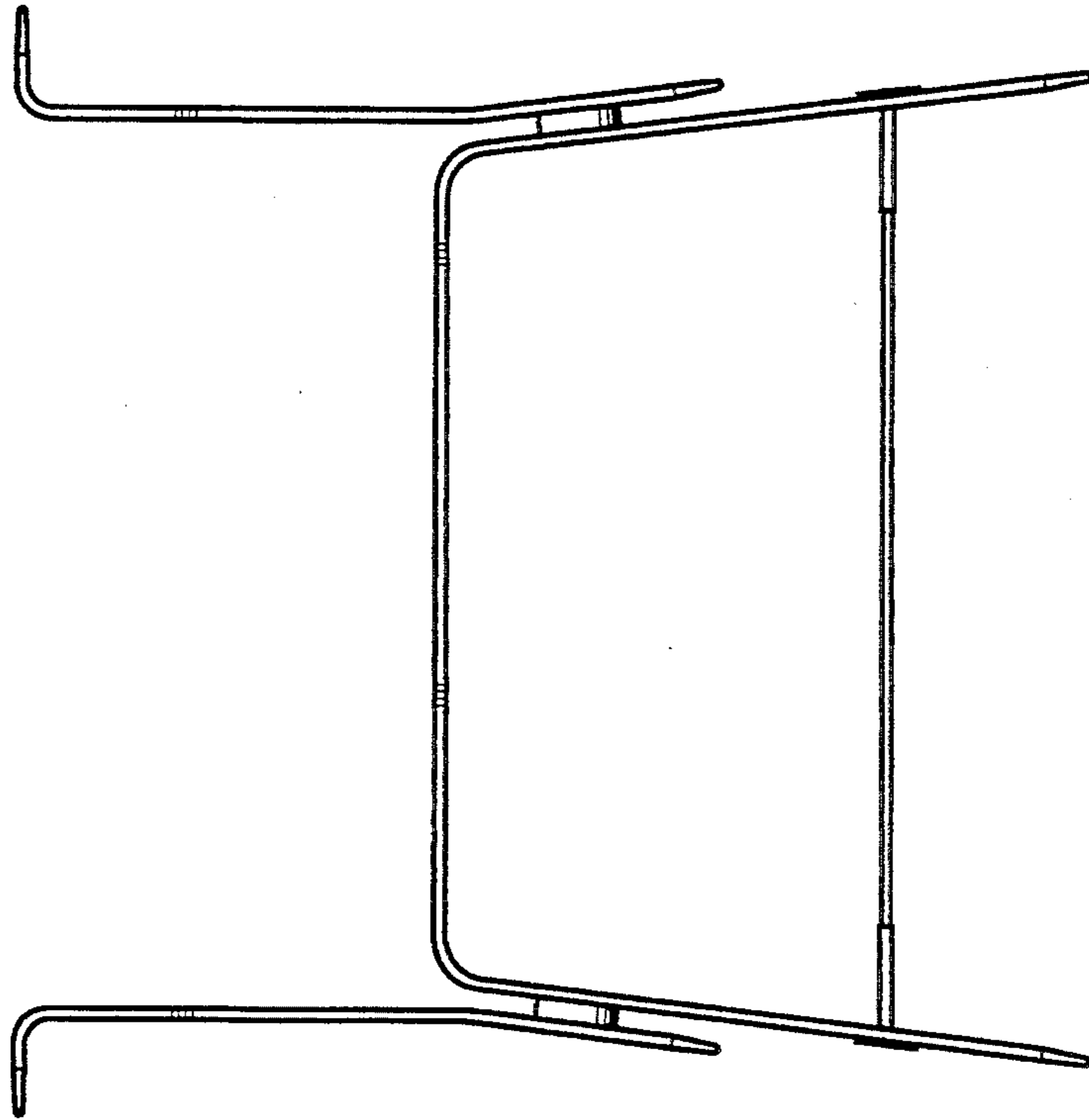
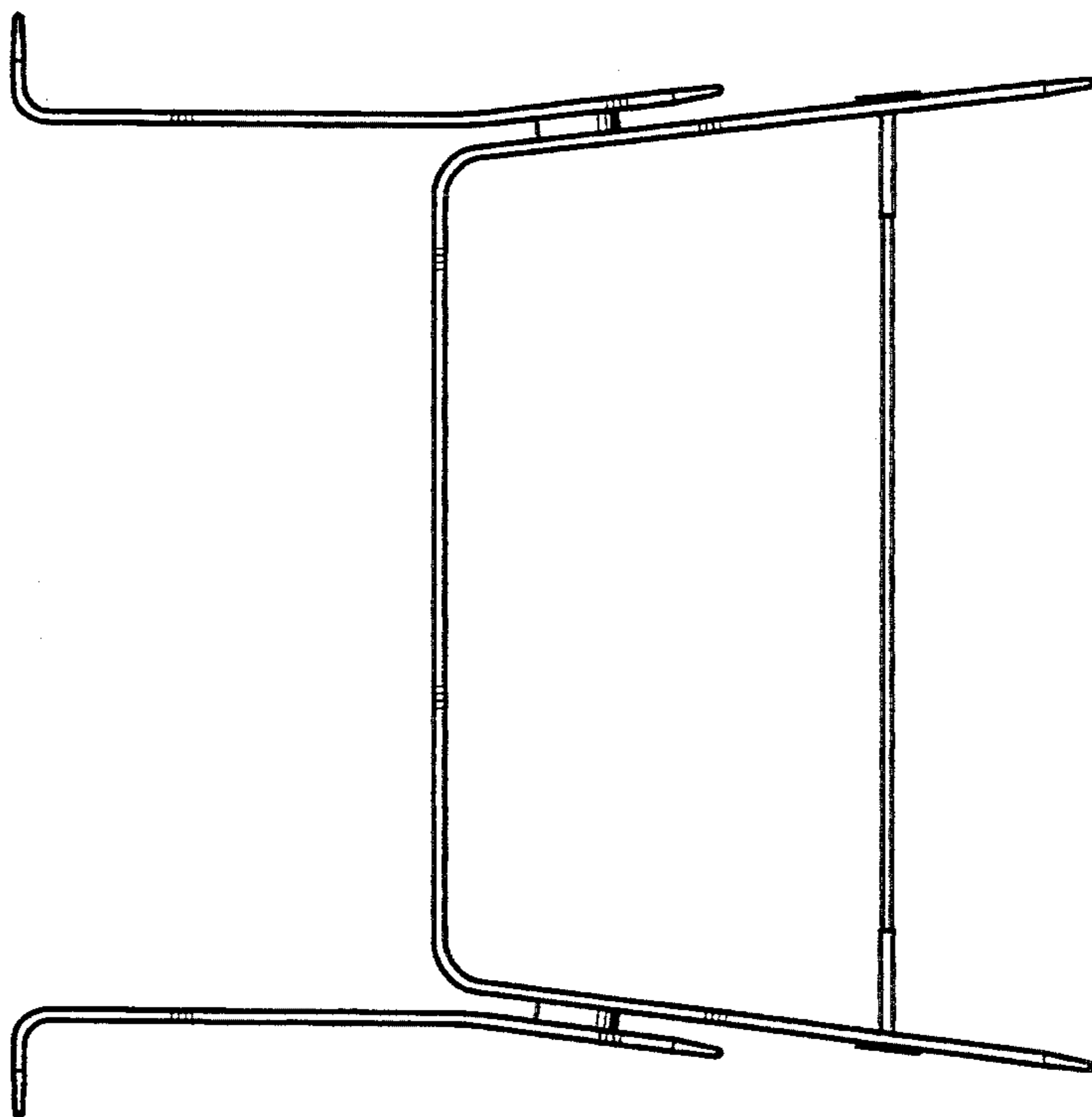
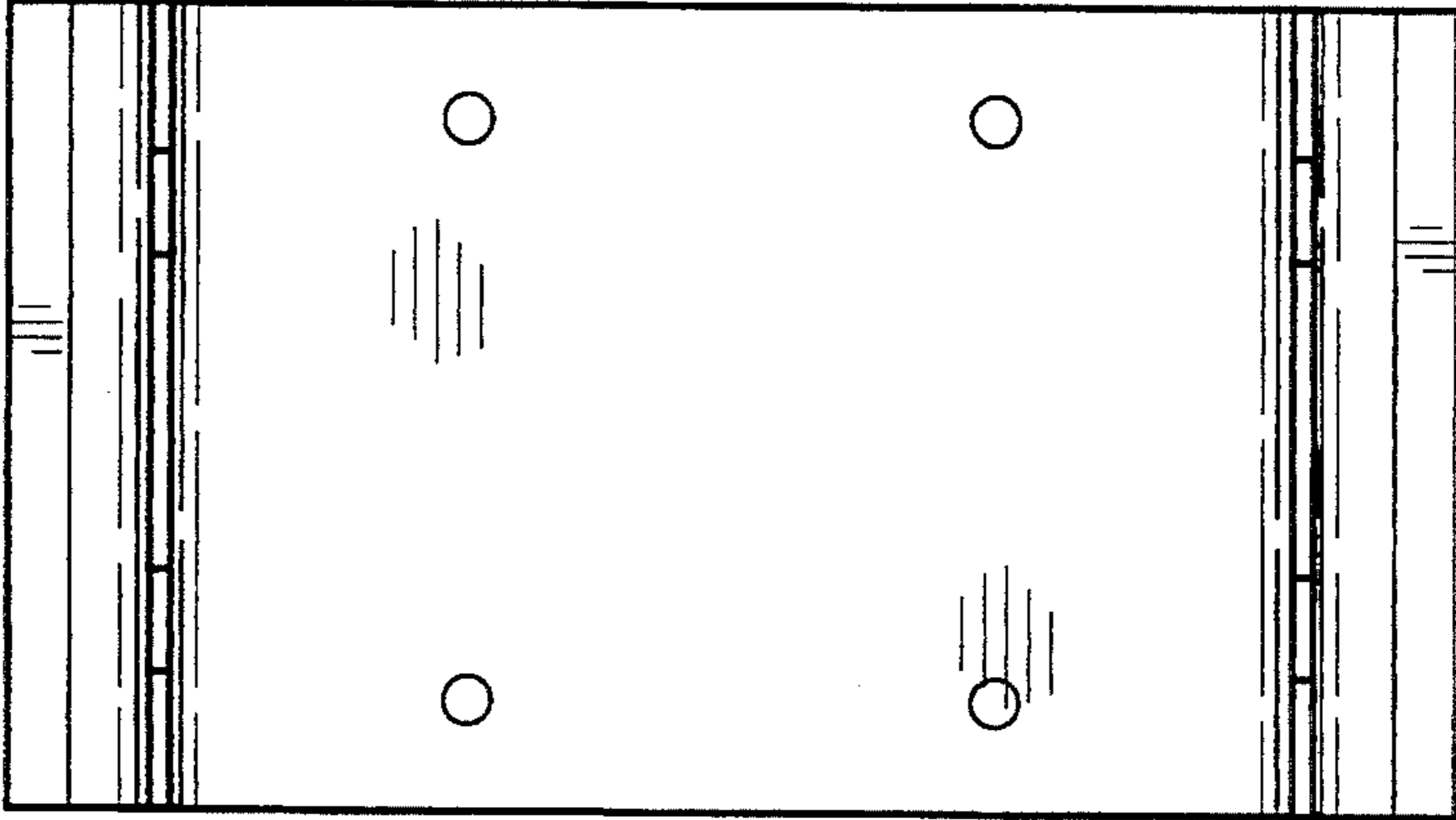


FIG. 2



**FIG. 6**



**FIG. 7**

