



US00D357361S

# United States Patent [19]

[11] Patent Number: **Des. 357,361**

Karten et al.

[45] Date of Patent: **\*\* Apr. 18, 1995**

[54] **INTEGRALLY MOLDED STACKABLE SHOWER STOOL**

[75] Inventors: **Stuart Karten, Marina del Rey; Eric P. Rose, Van Nuys, both of Calif.**

[73] Assignee: **Guardian Products, Inc., Simi Valley, Calif.**

[\*\*] Term: **14 Years**

[21] Appl. No.: **15,223**

[22] Filed: **Nov. 10, 1993**

[52] U.S. Cl. .... **D6/349; D6/484**

[58] Field of Search ..... **D6/349, 352, 353, 484, D6/480, 335, 336; 297/461, 462; D23/303, 304**

[56] **References Cited**

**U.S. PATENT DOCUMENTS**

- D. 238,837 2/1976 Mulhauser .
- D. 247,593 3/1978 Steele .
- D. 263,775 4/1982 Hopper .
- D. 265,614 8/1982 Massonnet .
- D. 317,839 7/1991 Pino ..... D6/484

- D. 335,788 5/1993 Grosfillex ..... D6/484
- D. 336,384 6/1993 Grosfillex .
- D. 347,527 6/1994 Breen et al. .... D6/349
- 2,642,118 6/1953 Lamb .
- 2,936,826 5/1960 Reineman .
- 3,874,726 4/1975 Sebel et al. .
- 5,088,792 2/1992 Guichon .

*Primary Examiner*—Janice E. Seeger  
*Attorney, Agent, or Firm*—William, Brinks, Hofer, Gilson & Lione

[57] **CLAIM**

The ornamental design for an integrally molded stackable shower stool, as shown and described.

**DESCRIPTION**

FIG. 1 is a front perspective view of an integrally molded stackable shower stool; FIG. 2 is a front elevational view; FIG. 3 is a rear elevational view; FIG. 4 is a right side elevational view, the opposite side being a mirror image; FIG. 5 is a top plan view; and, FIG. 6 is a bottom plan view.

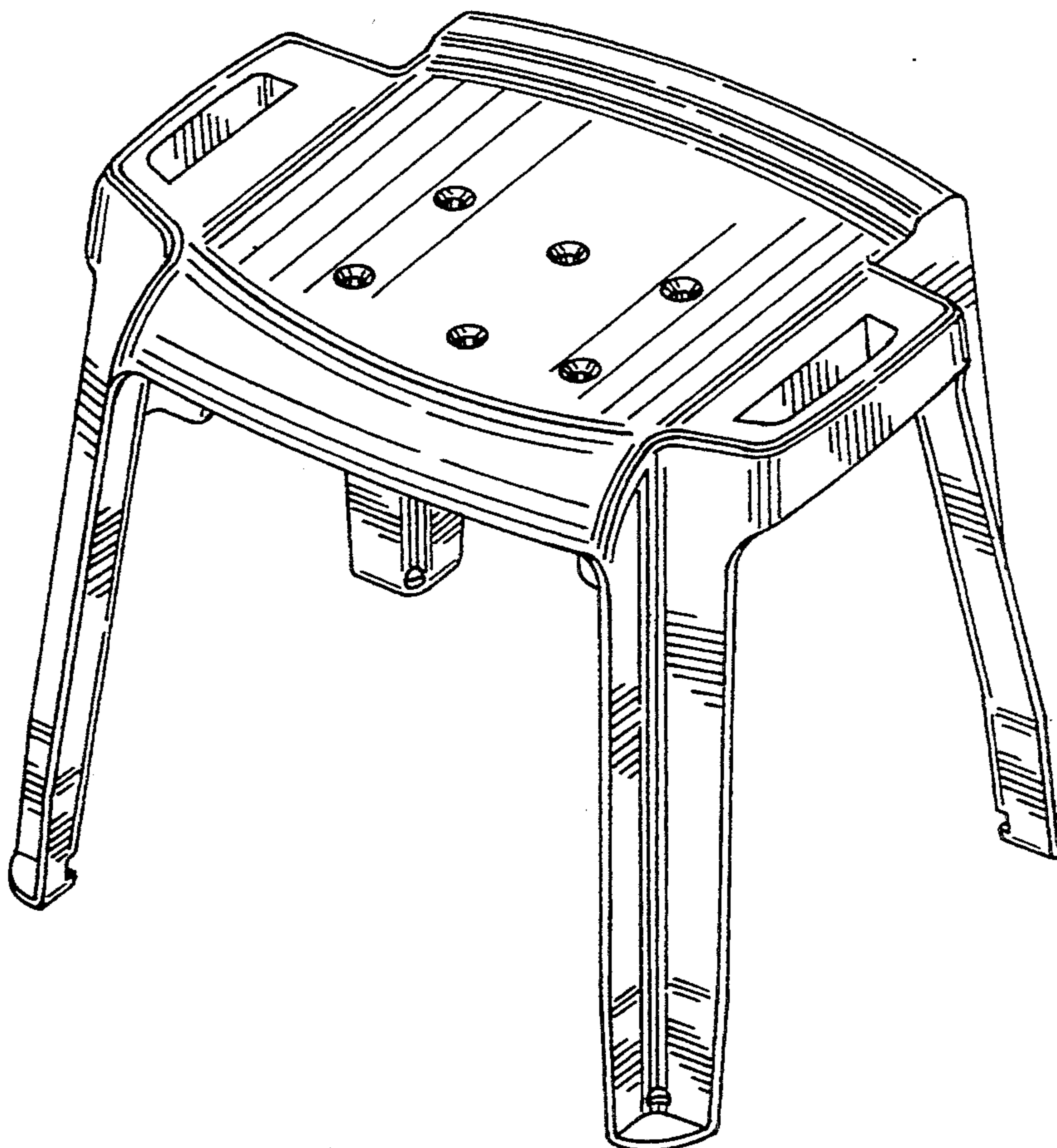


FIG. 1

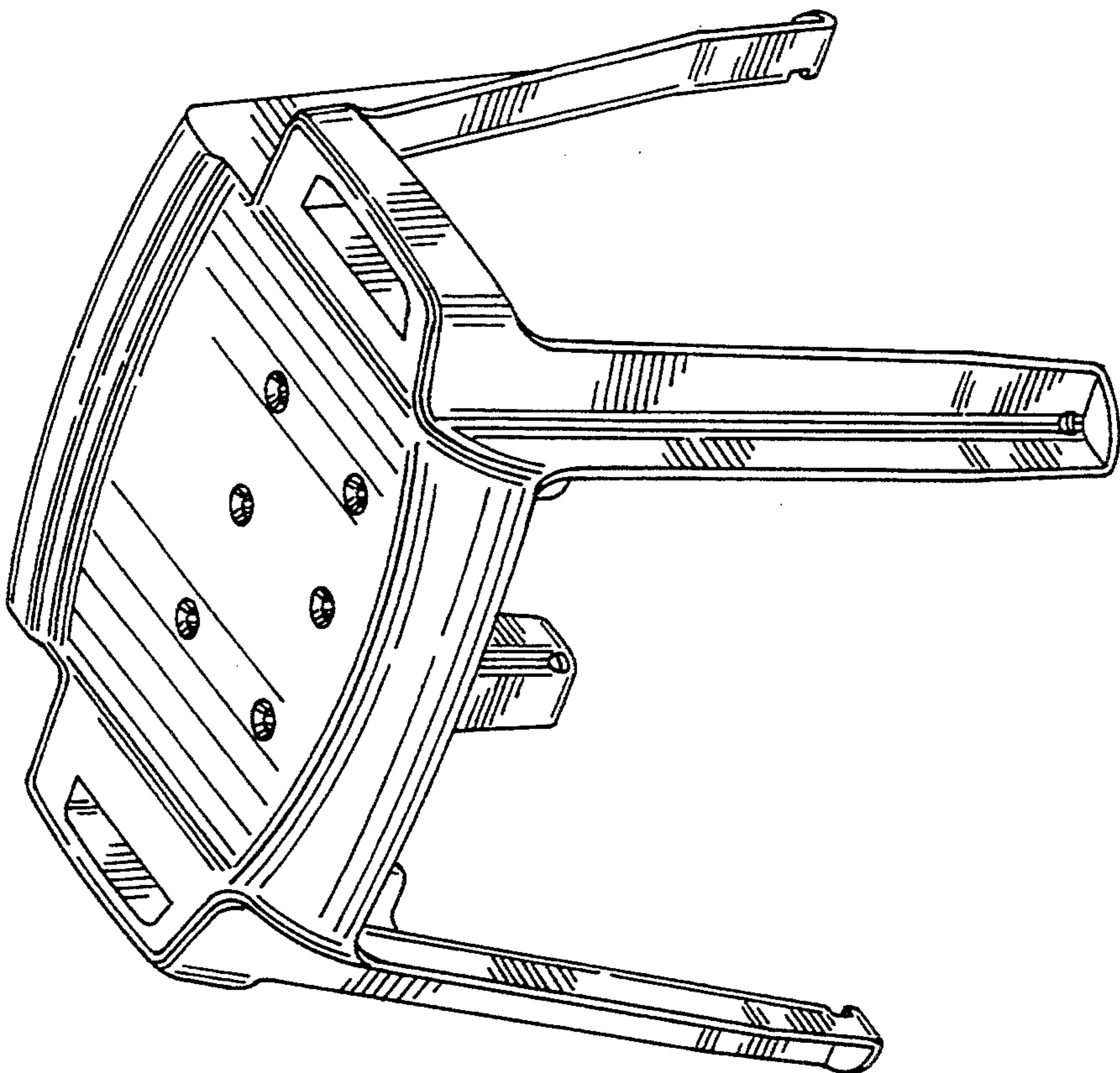


FIG. 2

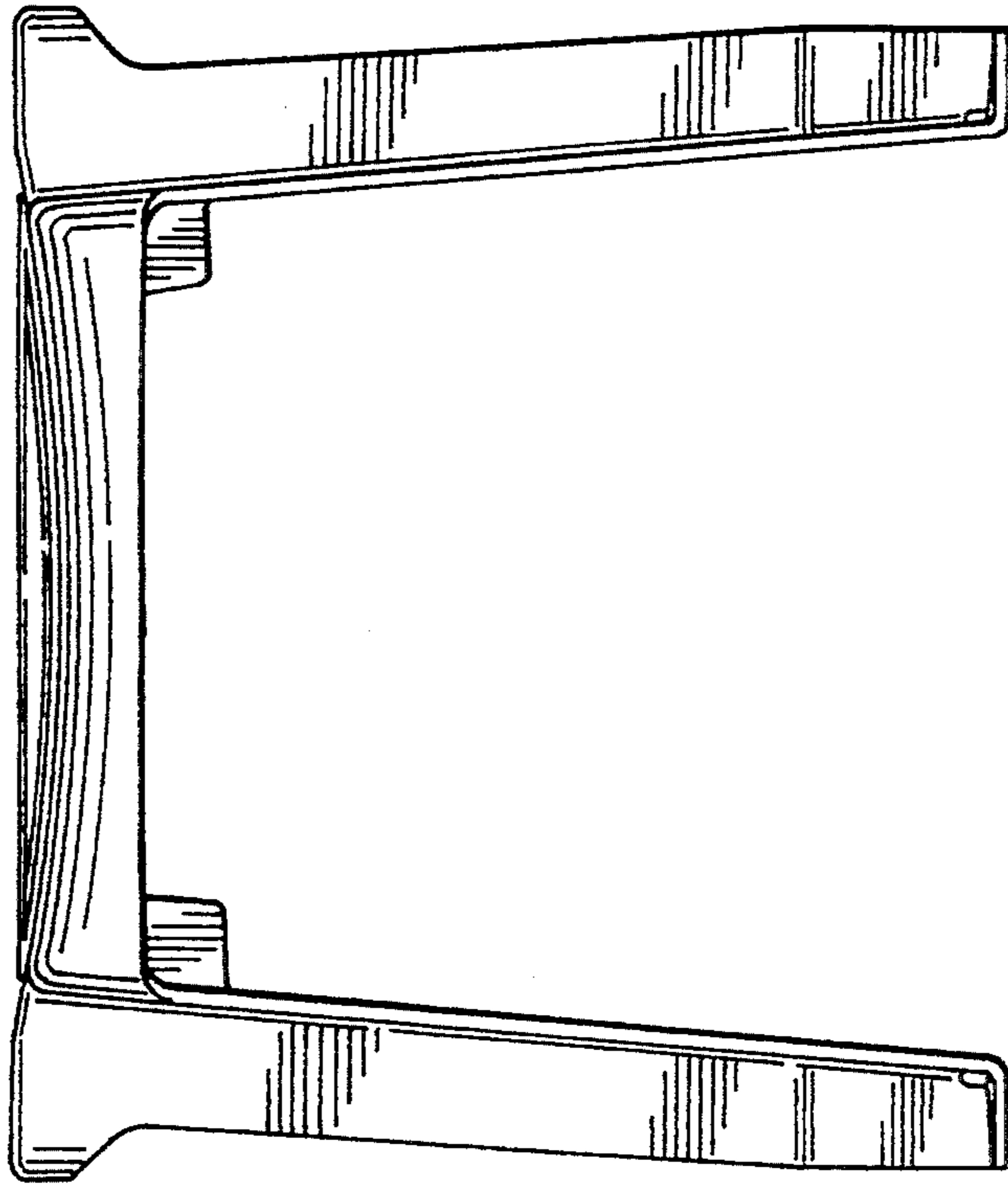


FIG.4

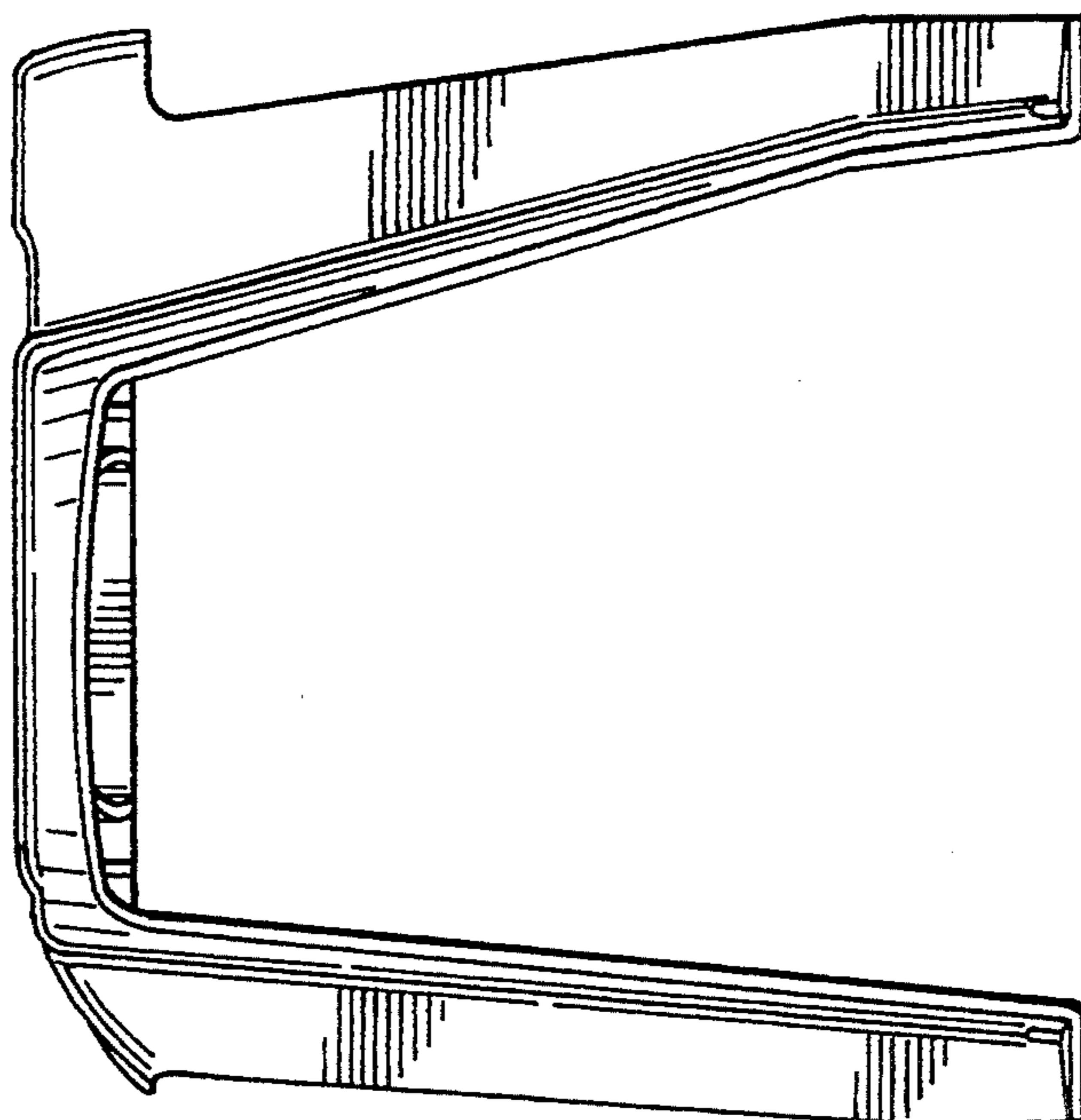


FIG.3

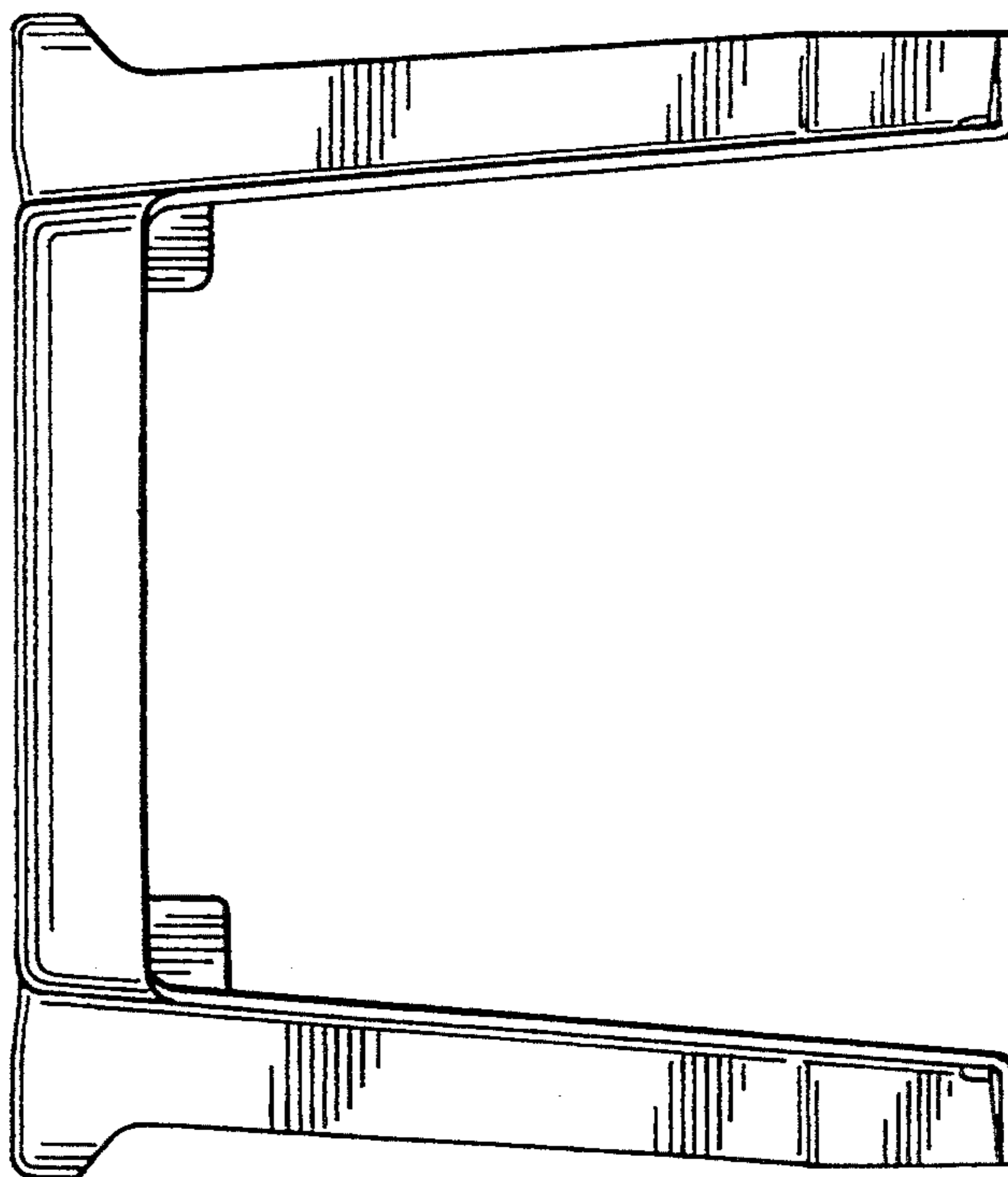


FIG. 5

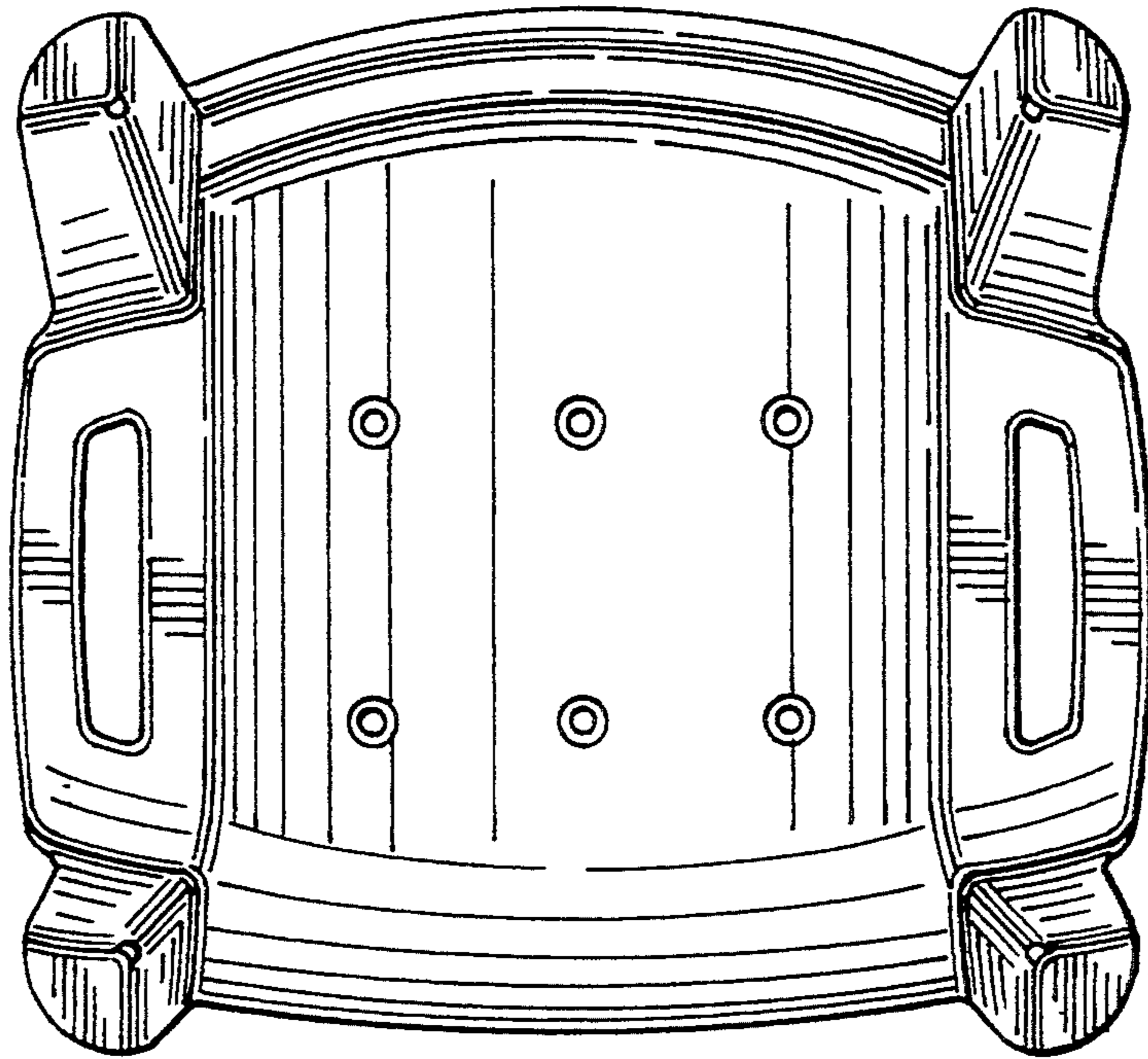


FIG. 6

