



US00D357360S

**United States Patent** [19]  
**Hayward**

[11] **Patent Number: Des. 357,360**  
[45] **Date of Patent: \*\* Apr. 18, 1995**

[54] **HAT RACK**  
[76] **Inventor: Lynn S. Hayward, 4620 McCord Rd., Sylvania, Ohio 43560**  
[\*\*] **Term: 14 Years**  
[21] **Appl. No.: 16,968**  
[22] **Filed: Dec. 30, 1993**  
[52] **U.S. Cl. .... D6/316; D6/320; D6/565**  
[58] **Field of Search ..... D6/316, 320, 563, 565, D6/569; D7/582, 698; D9/329; D1/106, 115; 211/30, 32, 87**

4,546,888 10/1985 Rosberg et al. .... D6/569  
4,757,905 7/1988 Green .  
5,002,190 3/1991 Moreland .  
5,038,941 8/1991 Bastiaansen .

**OTHER PUBLICATIONS**

The Good Housekeeping Illustrated Cookbook; ©1989; p. 11; Chili Pepper.

*Primary Examiner*—B. J. Bullock

[57] **CLAIM**

The ornamental design for a hat rack, as shown and described.

**DESCRIPTION**

FIG. 1 is a front elevational view of the hat rack showing my new design;  
FIG. 2 is a rear elevational view thereof;  
FIG. 3 is a left side elevational view thereof;  
FIG. 4 is a right side elevational view thereof;  
FIG. 5 is an enlarged plan view thereof; and,  
FIG. 6 is an enlarged bottom plan view thereof.

[56] **References Cited**  
**U.S. PATENT DOCUMENTS**  
D. 251,223 3/1979 Burge .  
D. 272,871 3/1984 Rapaport ..... D6/316  
D. 285,147 8/1986 LeCocq, Jr. .... D6/316  
D. 291,154 8/1987 Owen ..... D6/320  
3,565,020 2/1971 Schier .

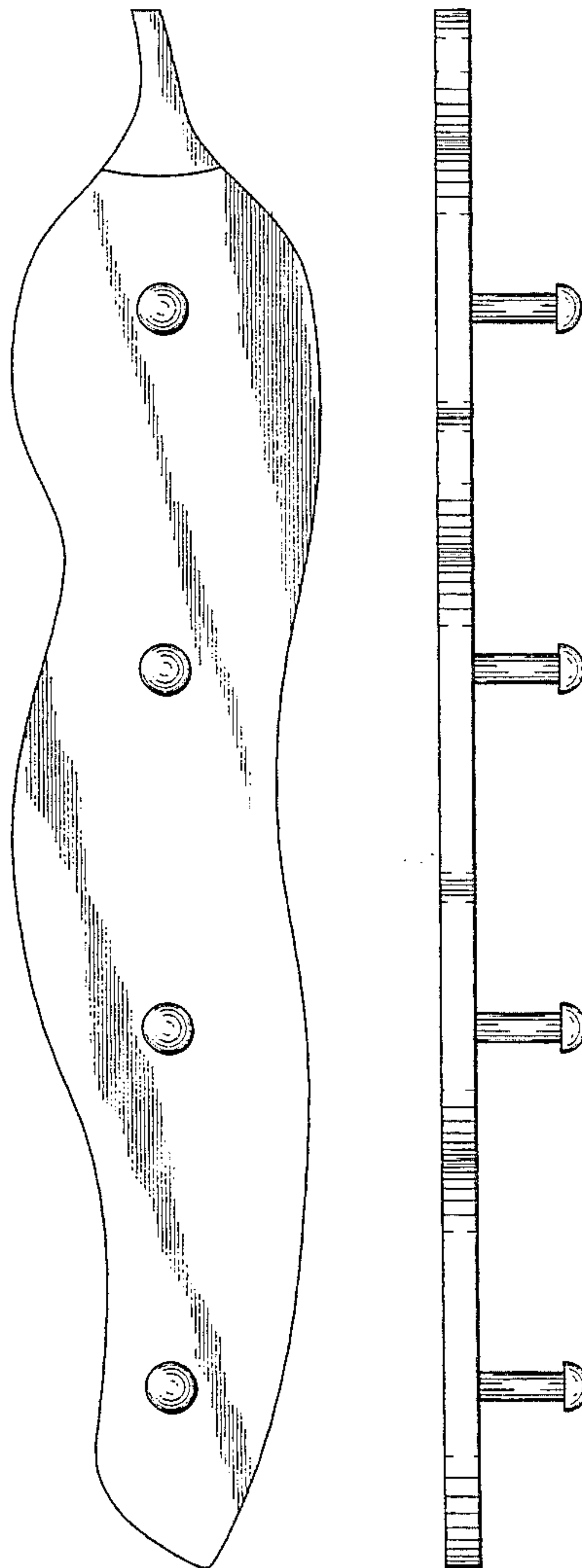


FIG. 1

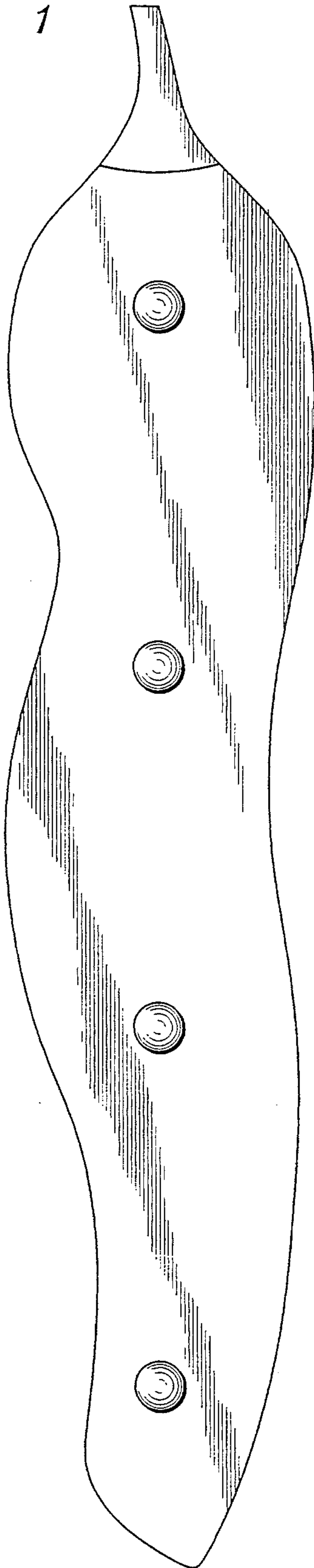


FIG. 2

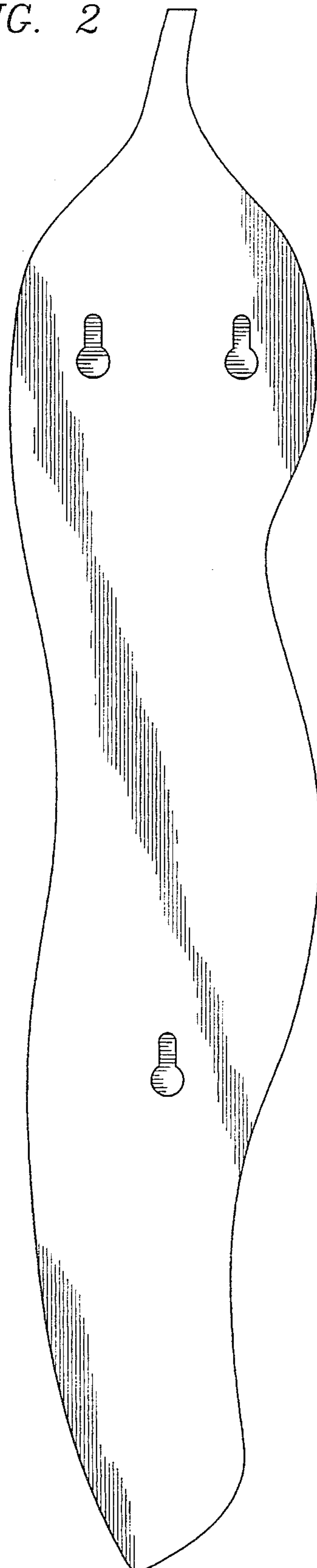


FIG. 3

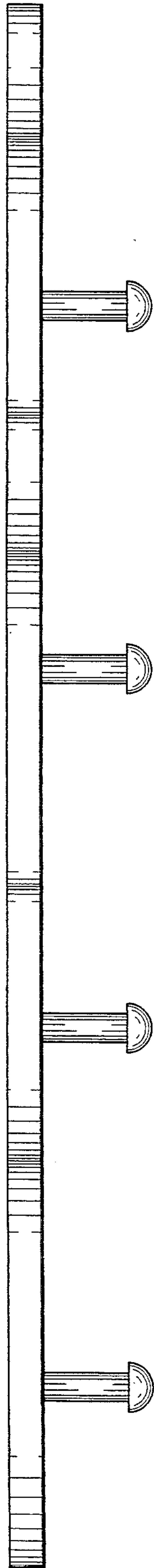


FIG. 4

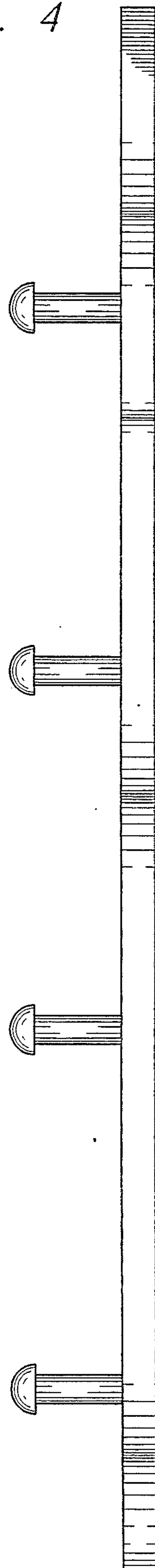


FIG. 5

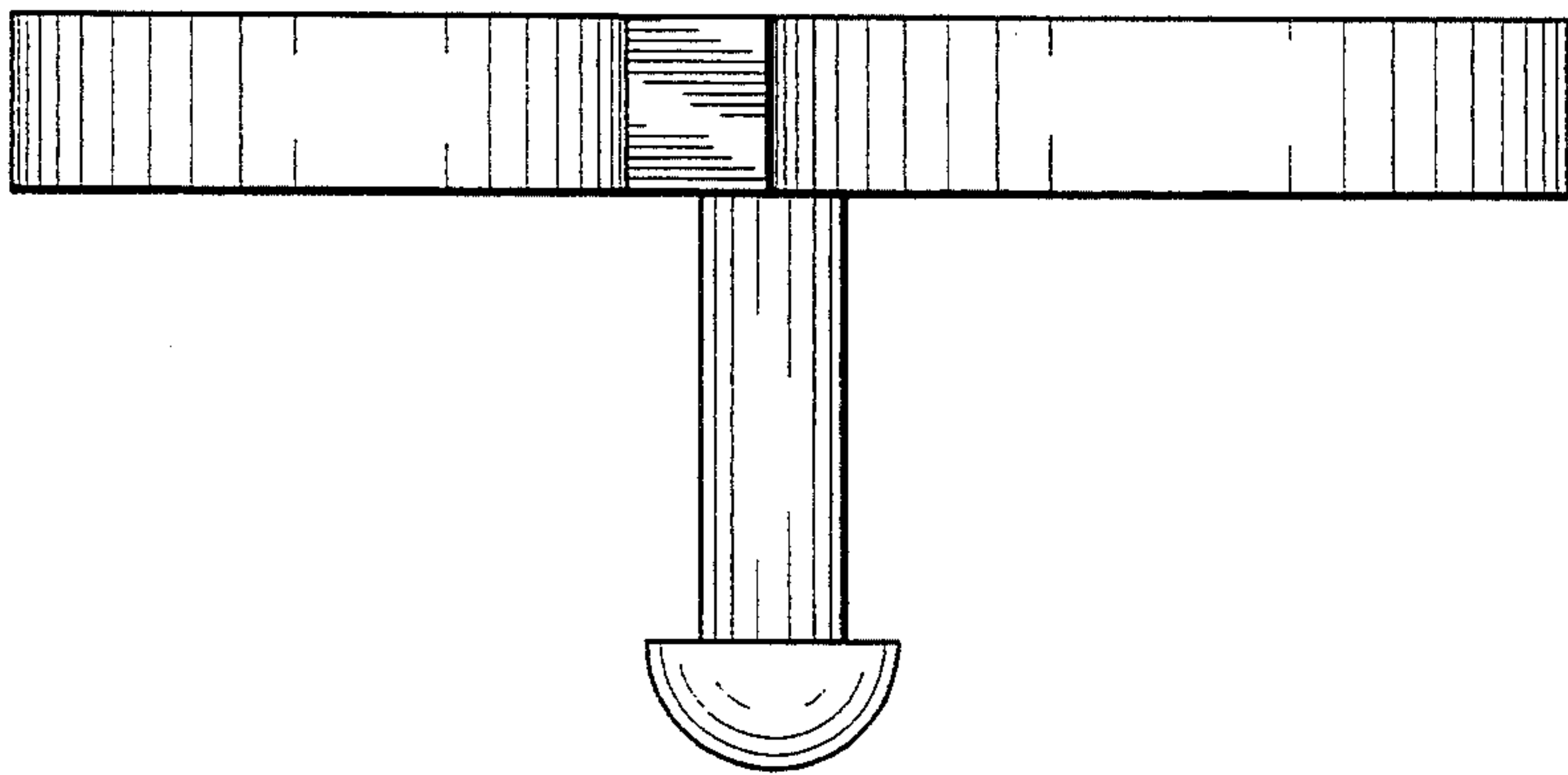


FIG. 6

