



US00D357350S

United States Patent [19]

[11] Patent Number: **Des. 357,350**

Stillwagon

[45] Date of Patent: **** Apr. 18, 1995**

[54] **SECURE KEY HOLDER FOR SELECTIVELY LOCKING KEYS THEREON**

[57] **CLAIM**

The ornamental design for a secure key holder for selectively locking keys thereon, as shown and described.

[75] Inventor: **Woodrow C. Stillwagon, Atlanta, Ga.**

DESCRIPTION

[73] Assignee: **Star Lock Systems, Inc., Hilliard, Ohio**

FIG. 1 is a perspective view of a secure key holder for selectively locking keys thereon showing my new design, wherein the broken line showing of a key is for illustrative purposes only and forms no part of the claimed design;

[**] Term: **14 Years**

FIG. 2 is a front elevational view thereof;

[21] Appl. No.: **24,573**

FIG. 3 is a rear elevational view thereof, wherein the broken line showing of a key insert and inner most circles is for illustrative purposes only and forms no part of the claimed designs;

[22] Filed: **Jun. 15, 1994**

FIG. 4 is a side elevational view thereof;

Related U.S. Application Data

FIG. 5 is a top plan view thereof;

[62] Division of Ser. No. 344, Oct. 9, 1992.

FIG. 6 is an exploded perspective view thereof in an unlatched condition, wherein the broken line showing of a key is for illustrative purposes only and forms no part of the claimed design;

[52] U.S. Cl. **D3/207**

[58] Field of Search **D3/207-212; 70/456 B, 455 R, 459, 457; D8/331, 337**

FIG. 7 is a perspective view of a secure key holder for selectively locking keys thereon showing a second embodiment of my new design, wherein the broken line showing of a key is for illustrative purposes only and forms no part of the claimed design;

[56] References Cited

U.S. PATENT DOCUMENTS

59,541	11/1921	Lue et al.	D8/333
D. 133,034	7/1942	George	D8/331
D. 228,618	10/1973	Falk	D8/333
D. 241,304	9/1976	Sander	D8/333
D. 242,112	11/1976	Sander	D8/333
D. 242,983	1/1977	Saitou	D8/333
D. 263,555	3/1982	Curtis	D8/333
D. 301,682	6/1989	Gardenswartz	D8/332

FIG. 8 is a front elevational view thereof,

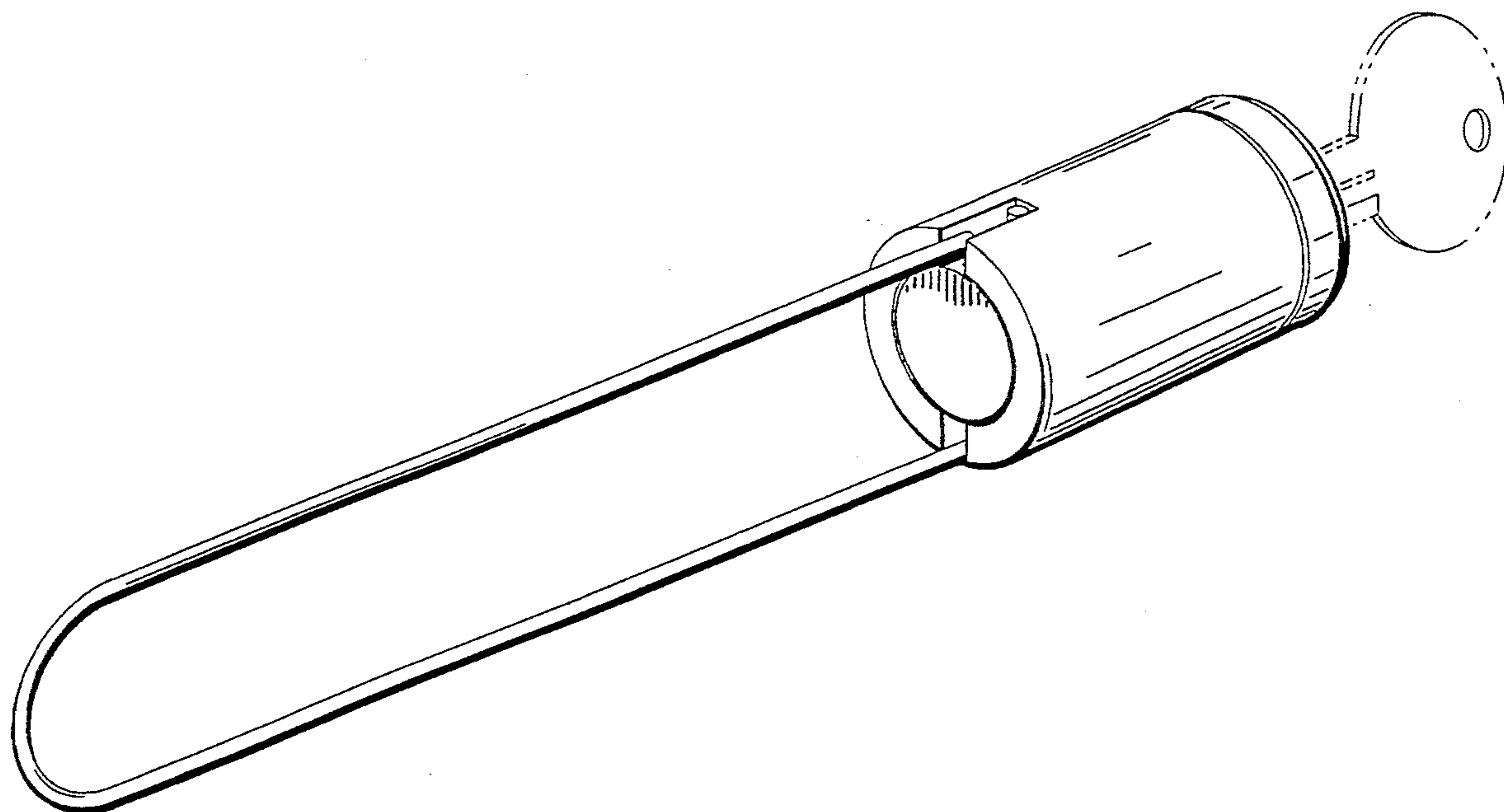
FIG. 9 is a rear elevational view thereof, wherein the broken line showing of a key insert and inner most circles is for illustrative purposes only and forms no part of the claimed designs;

Primary Examiner—Ralf T. Seifert
Attorney, Agent, or Firm—Louis T. Isaf

FIG. 10 is a side elevational view thereof;

FIG. 11 is a top plan view thereof; and,

FIG. 12 is an exploded perspective view thereof in an unlatched condition, wherein the broken line showing of a key is for illustrative purposes only and forms no part of the claimed design.



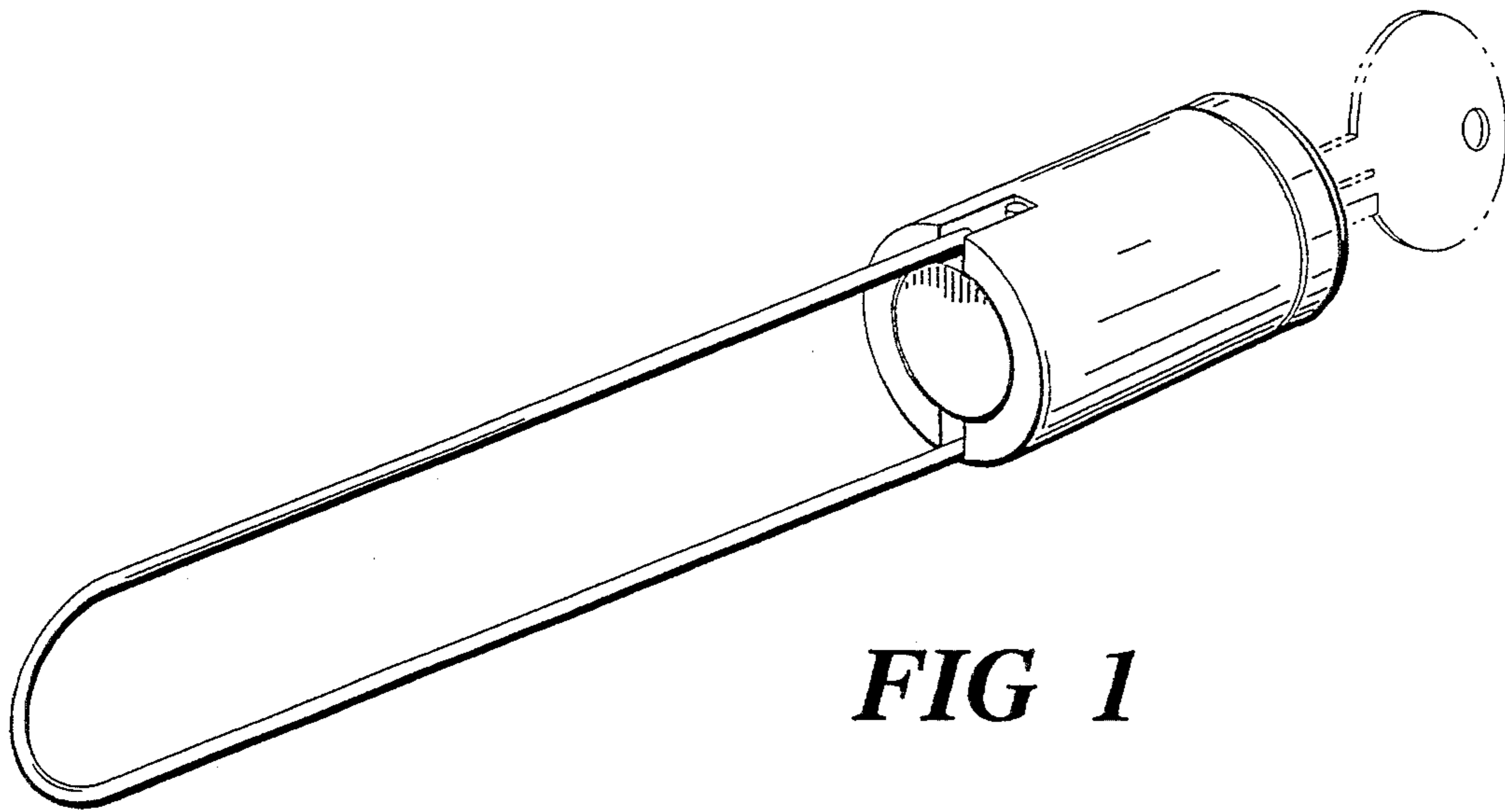


FIG 1

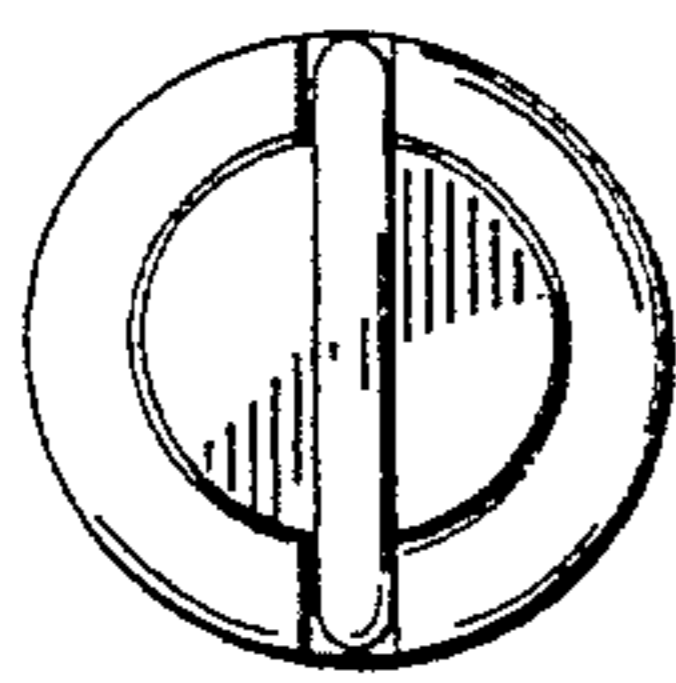


FIG 2

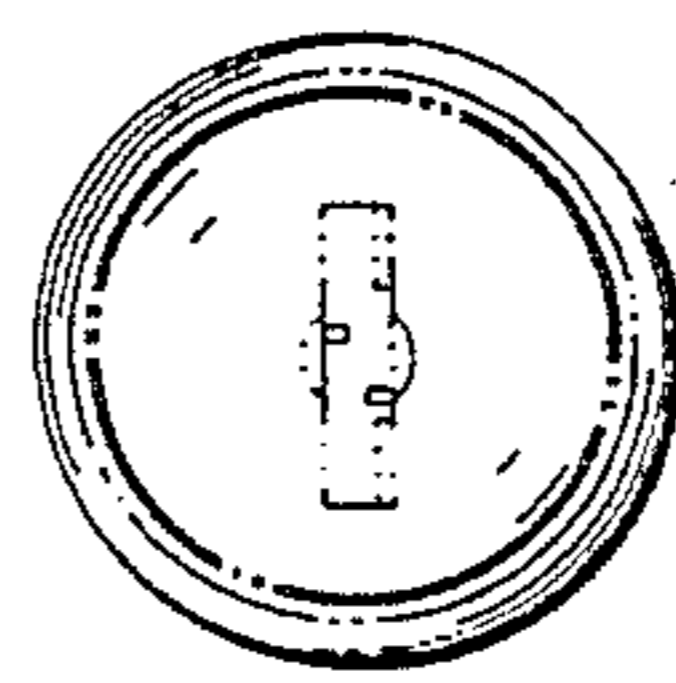


FIG 3

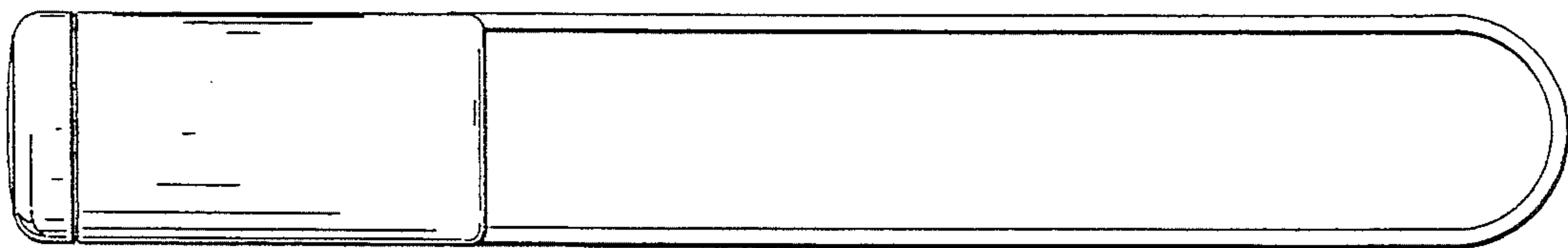
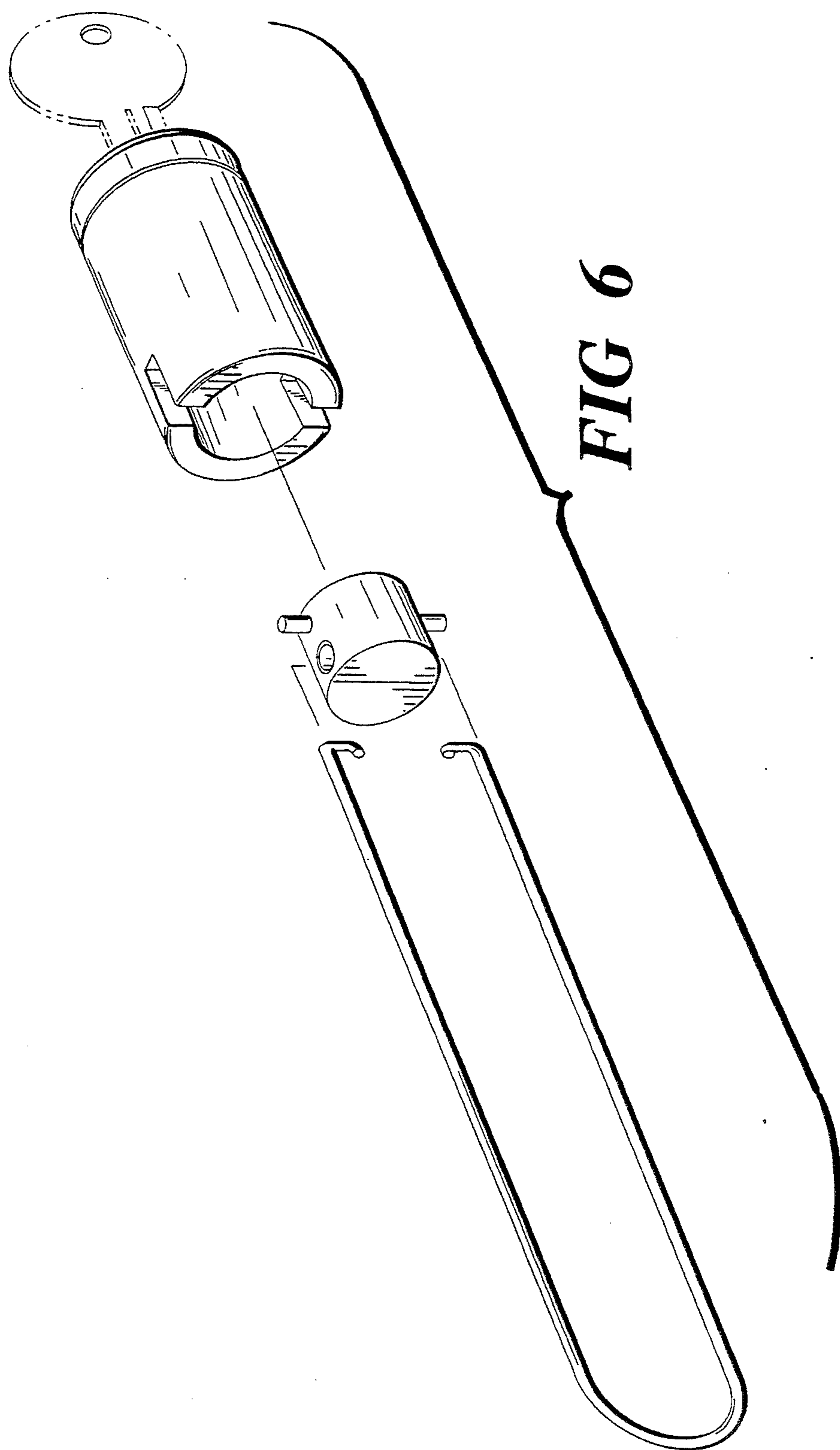


FIG 4



FIG 5



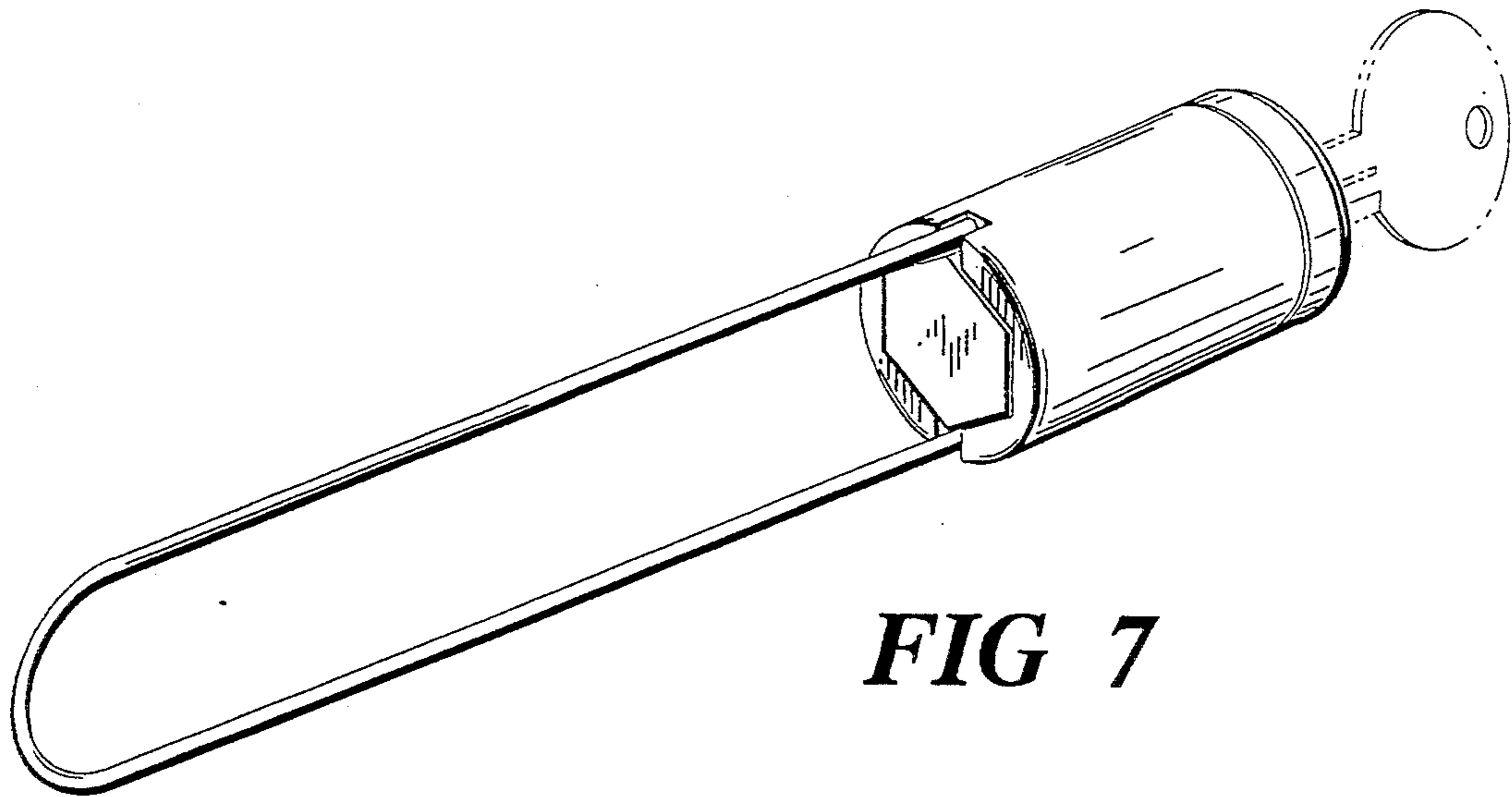


FIG 7

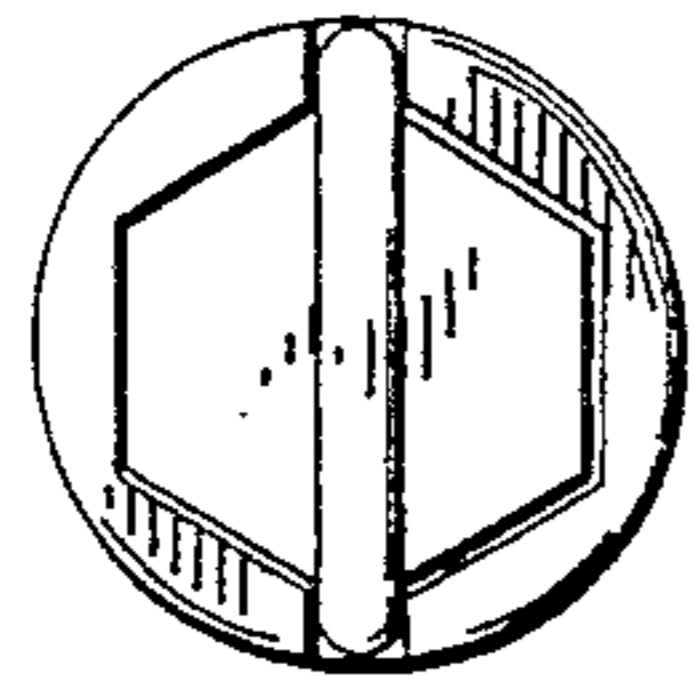


FIG 8

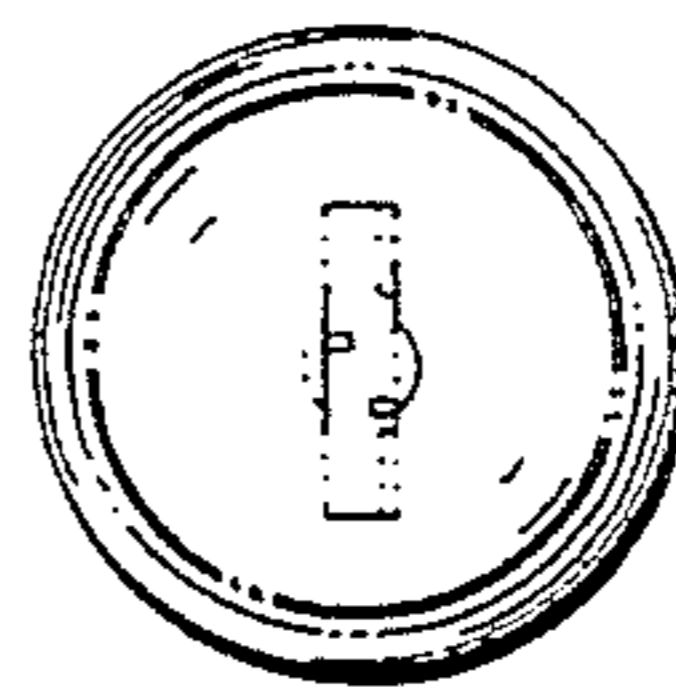


FIG 9

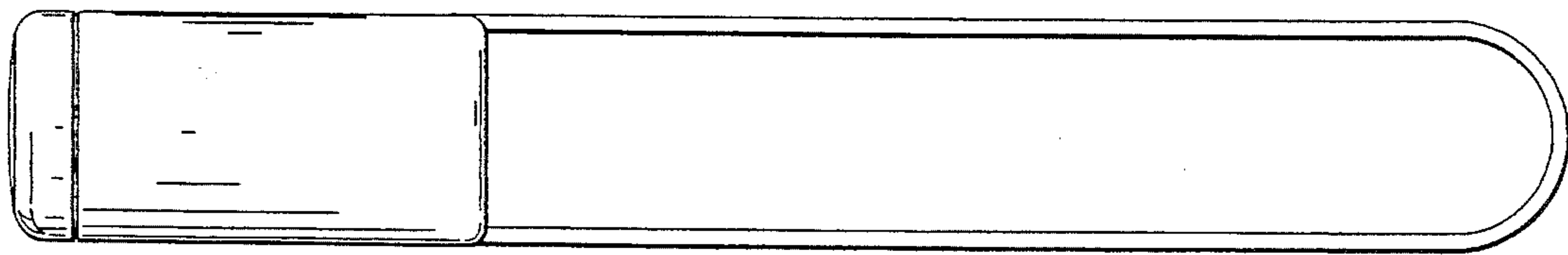


FIG 10

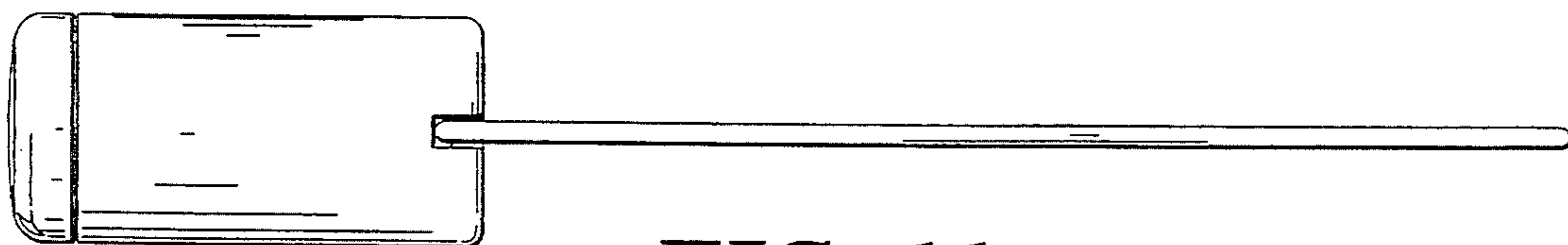


FIG 11

