



US00D357342S

# United States Patent [19]

[11] Patent Number: **Des. 357,342**

Gelinas et al.

[45] Date of Patent: **\*\* Apr. 18, 1995**

[54] VEST

[76] Inventors: **Ralph J. Gelinas**, 8561 Desoto Ave.  
#257, Canoga Park, Calif. 91304;  
**Tom V. Gelinas**, 4401 Sepulveda Bld.  
104, Sherman Oaks, Calif. 91413

D. 316,472 4/1991 Flanagan ..... D2/829  
1,198,059 9/1916 Ross ..... 2/94  
3,105,241 10/1963 Allen ..... 2/94  
4,669,125 6/1987 Allen ..... 2/94  
4,669,127 6/1987 Swanson ..... 2/94  
5,211,321 5/1993 Rodriguez ..... 2/94

[\*\*] Term: **14 Years**

### FOREIGN PATENT DOCUMENTS

[21] Appl. No.: **5,193**

668208 11/1938 Germany ..... 2/92

[22] Filed: **Feb. 26, 1993**

*Primary Examiner*—C. A. Murphy

[52] U.S. Cl. .... **D2/830; D2/828;  
D2/829; D2/838**

### [57] CLAIM

[58] Field of Search ..... **D2/828-829,  
D2/830, 831, 836, 839, 857; D3/216; 2/84, 92,  
94; 224/153**

The ornamental design for a vest, as shown and described.

### DESCRIPTION

### [56] References Cited

#### U.S. PATENT DOCUMENTS

D. 238,208 12/1975 Heslen ..... D2/701  
D. 251,936 5/1979 Shaw ..... D2/830  
D. 269,136 5/1983 Presentin ..... D2/829  
D. 273,910 5/1984 Teeny ..... D2/829

FIG. 1 is a front perspective view of a vest showing our new design;  
FIG. 2 is a left side elevational view thereof, the right side being a mirror image;  
FIG. 3 is a top plan view thereof;  
FIG. 4 is a bottom plan view thereof;  
FIG. 5 is a front elevational view thereof; and,  
FIG. 6 is a rear elevational view thereof.

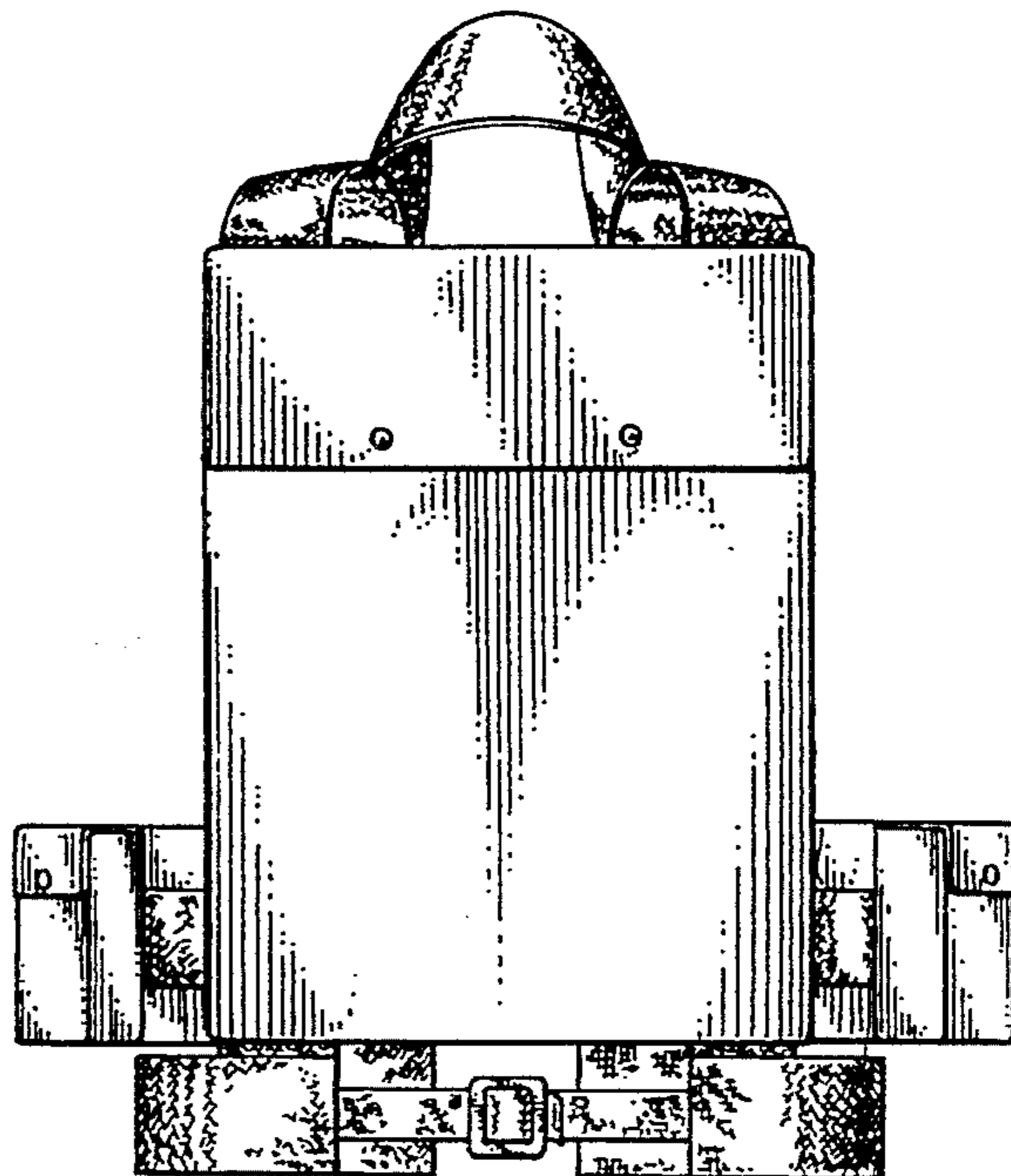
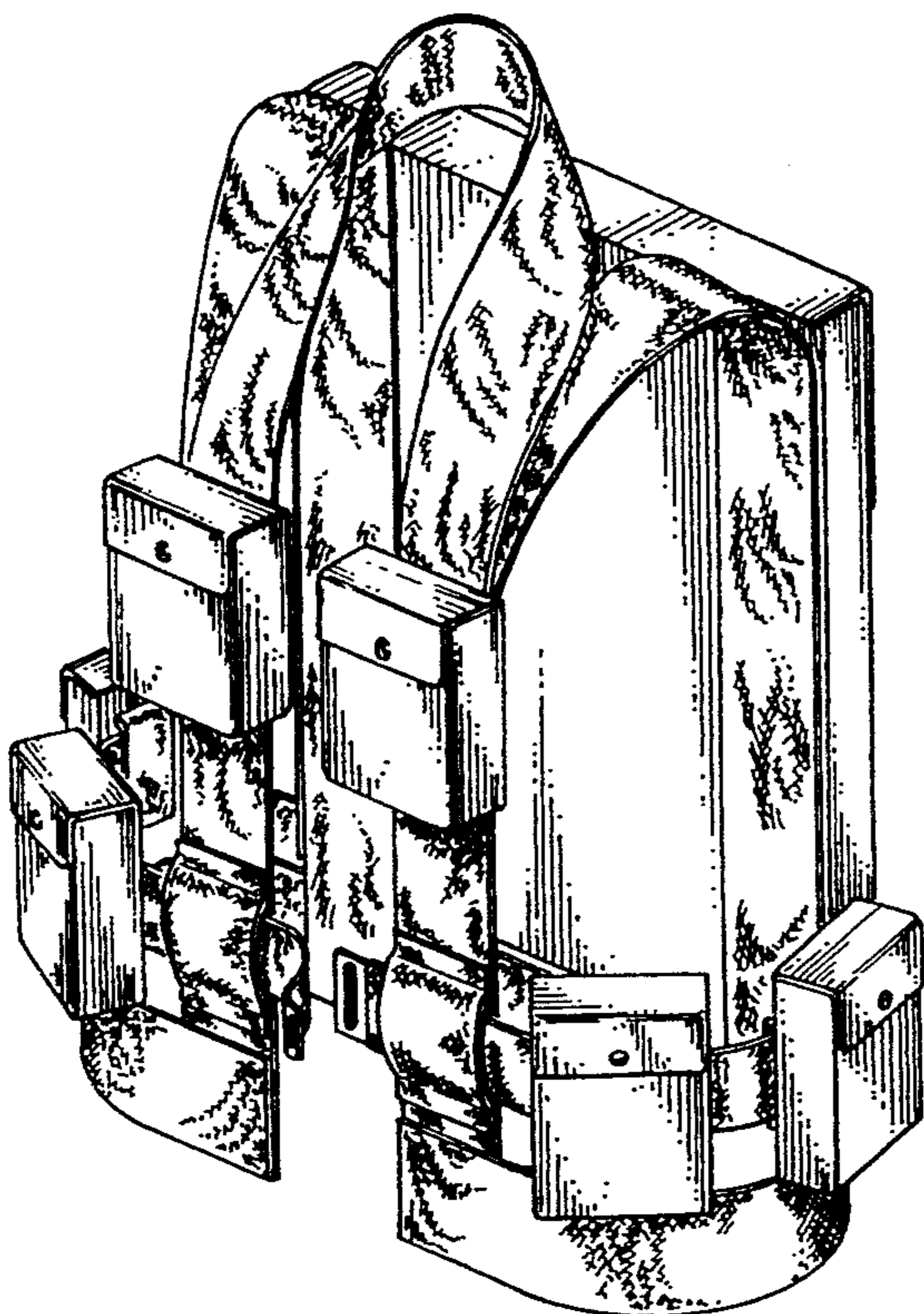


FIG. 1

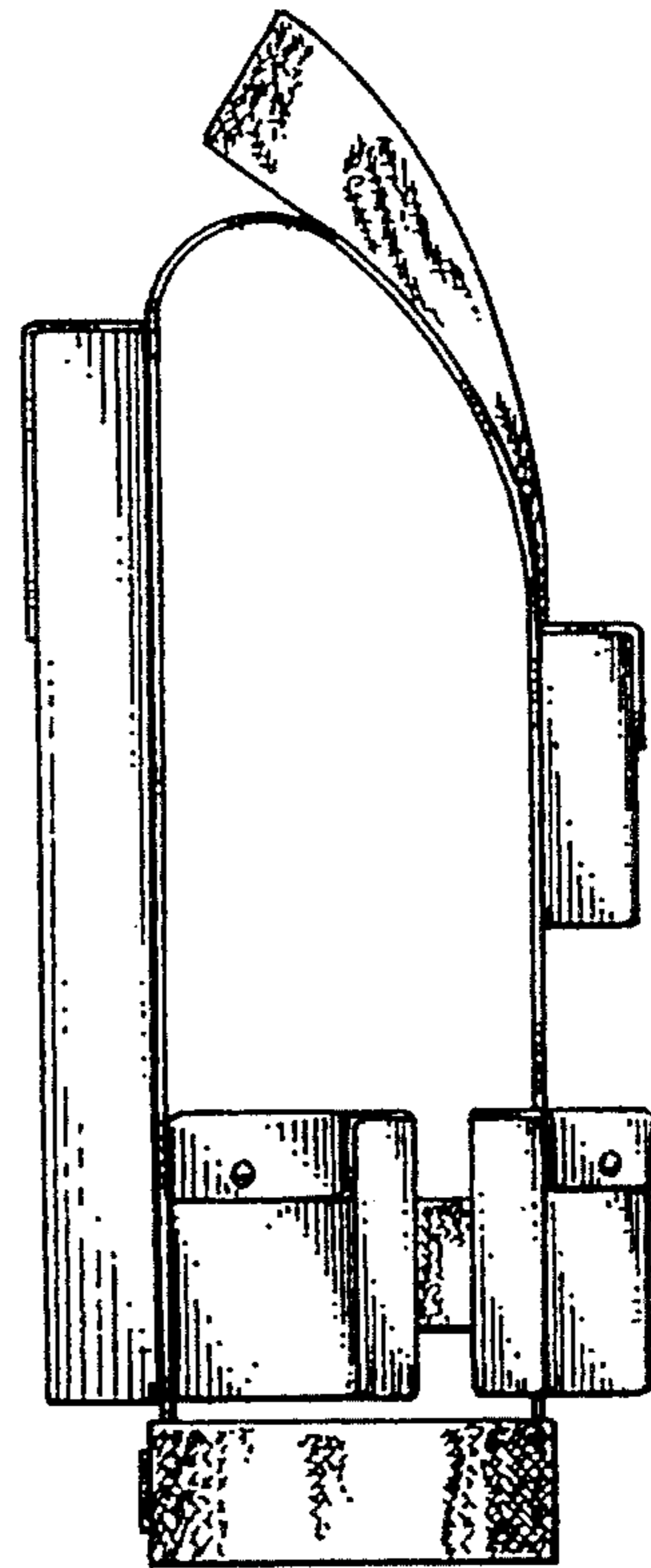
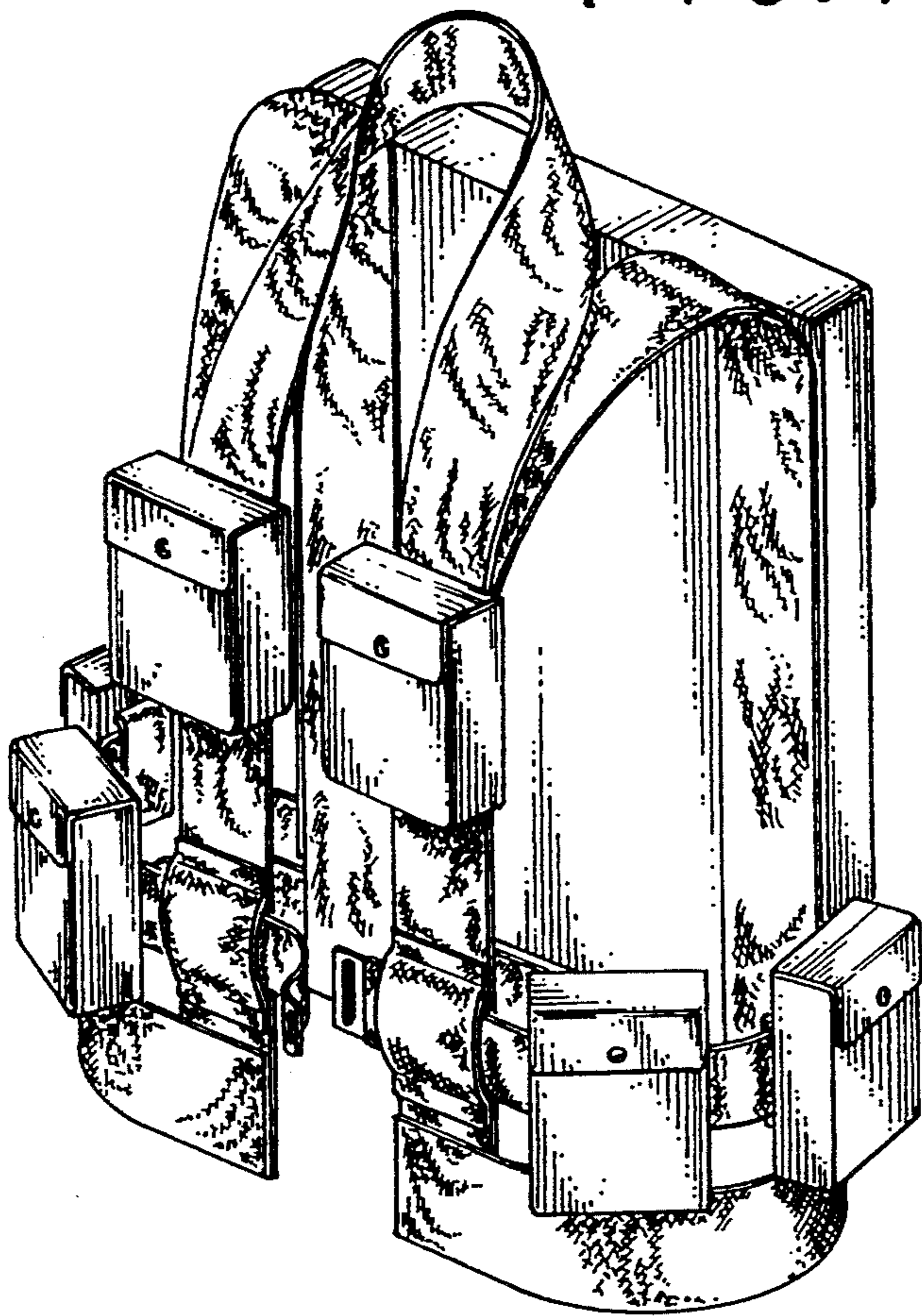


FIG. 2

FIG. 3

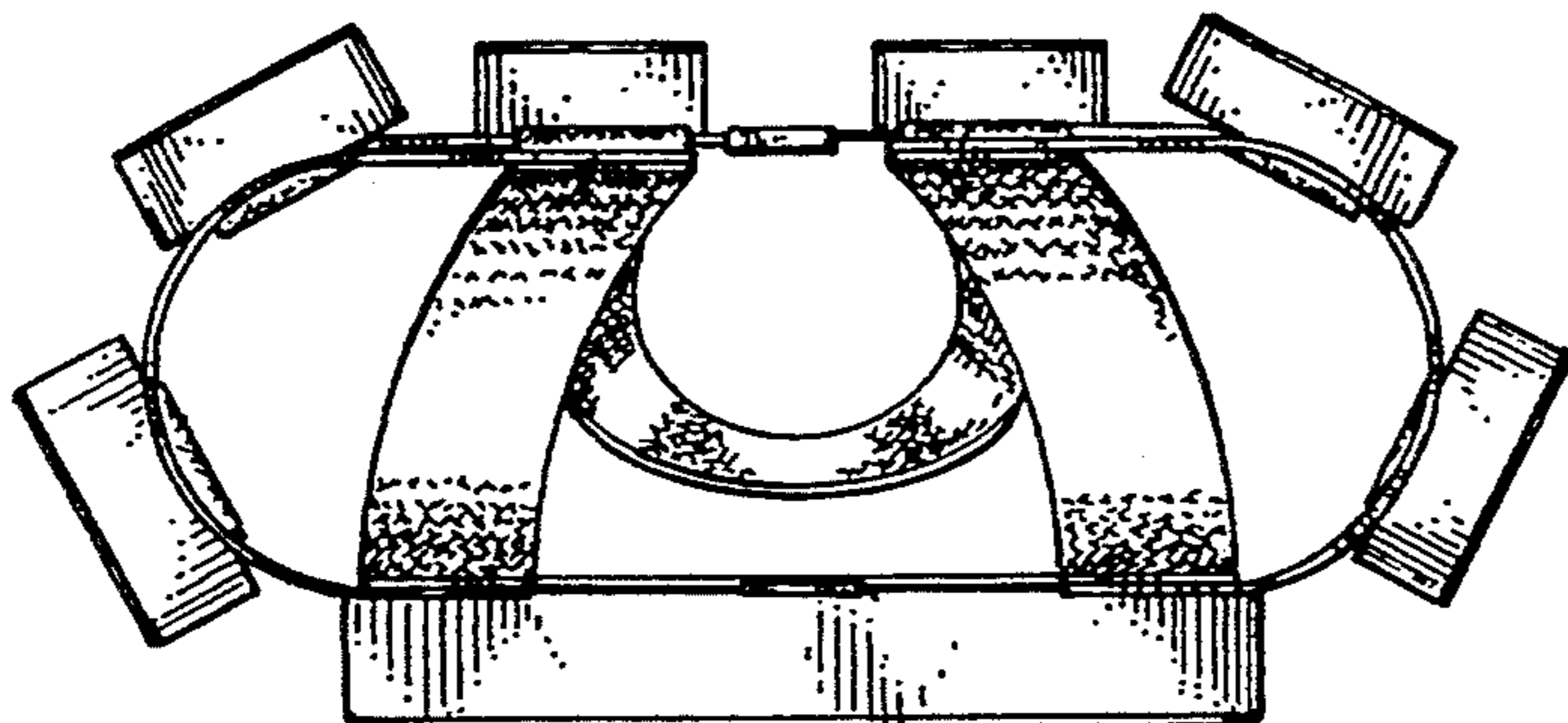
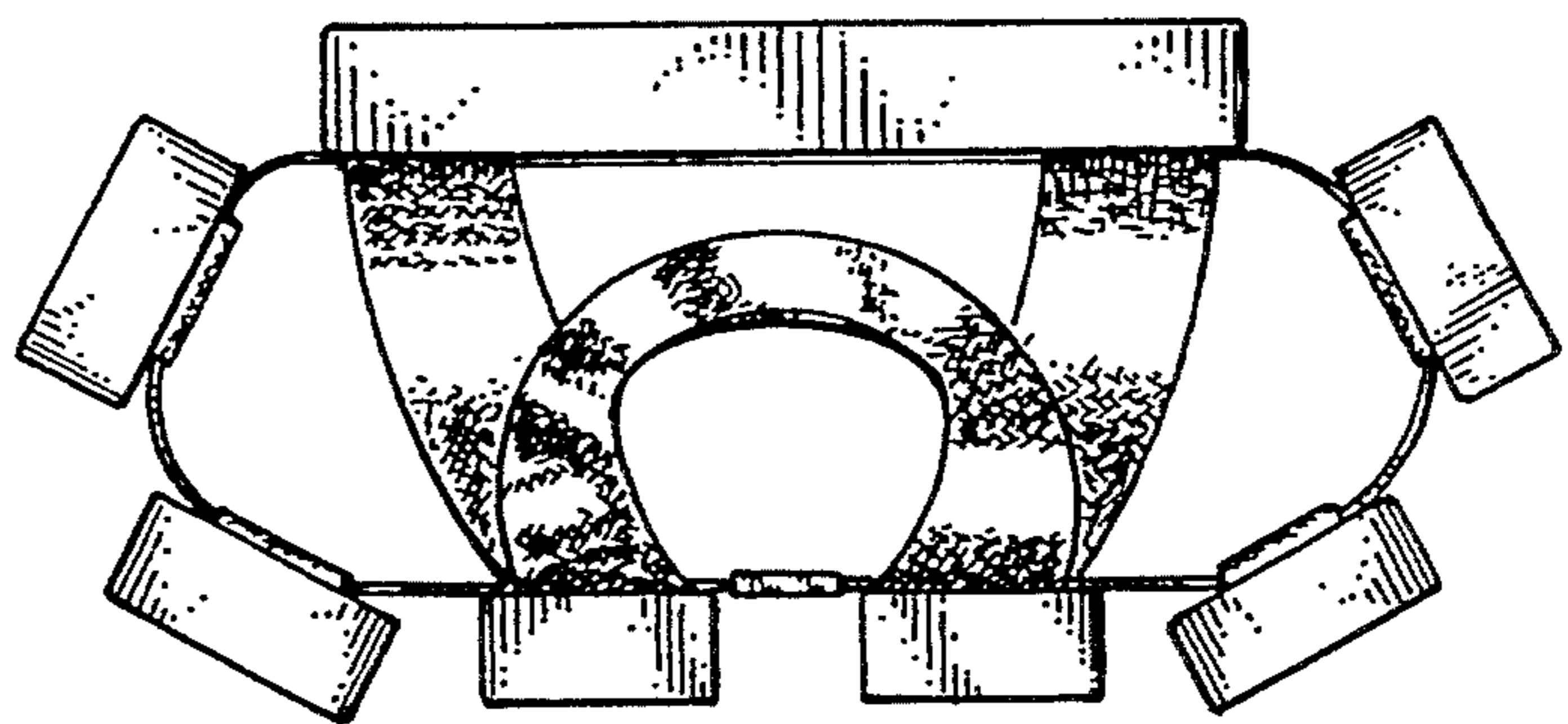


FIG. 4

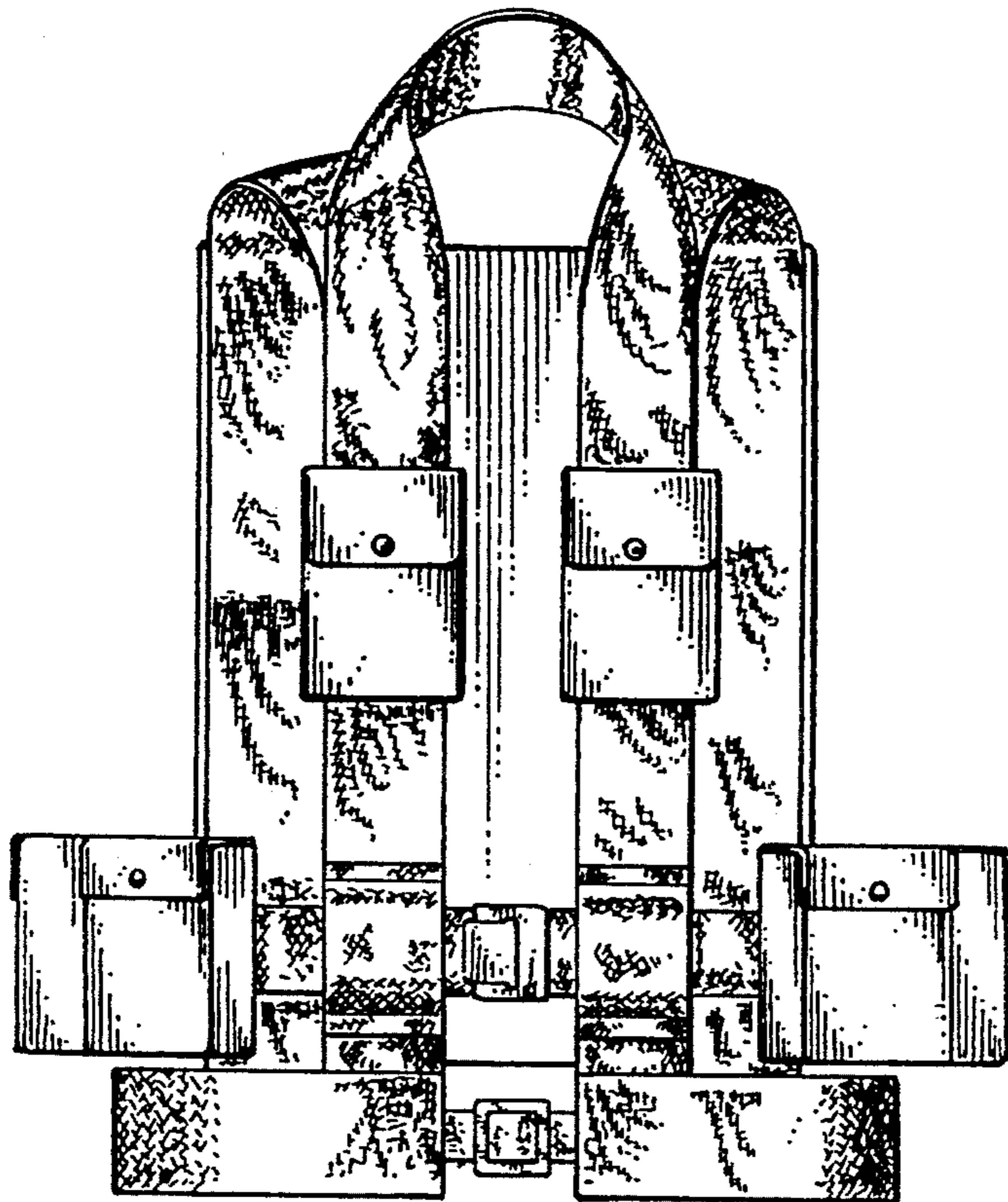


FIG. 5

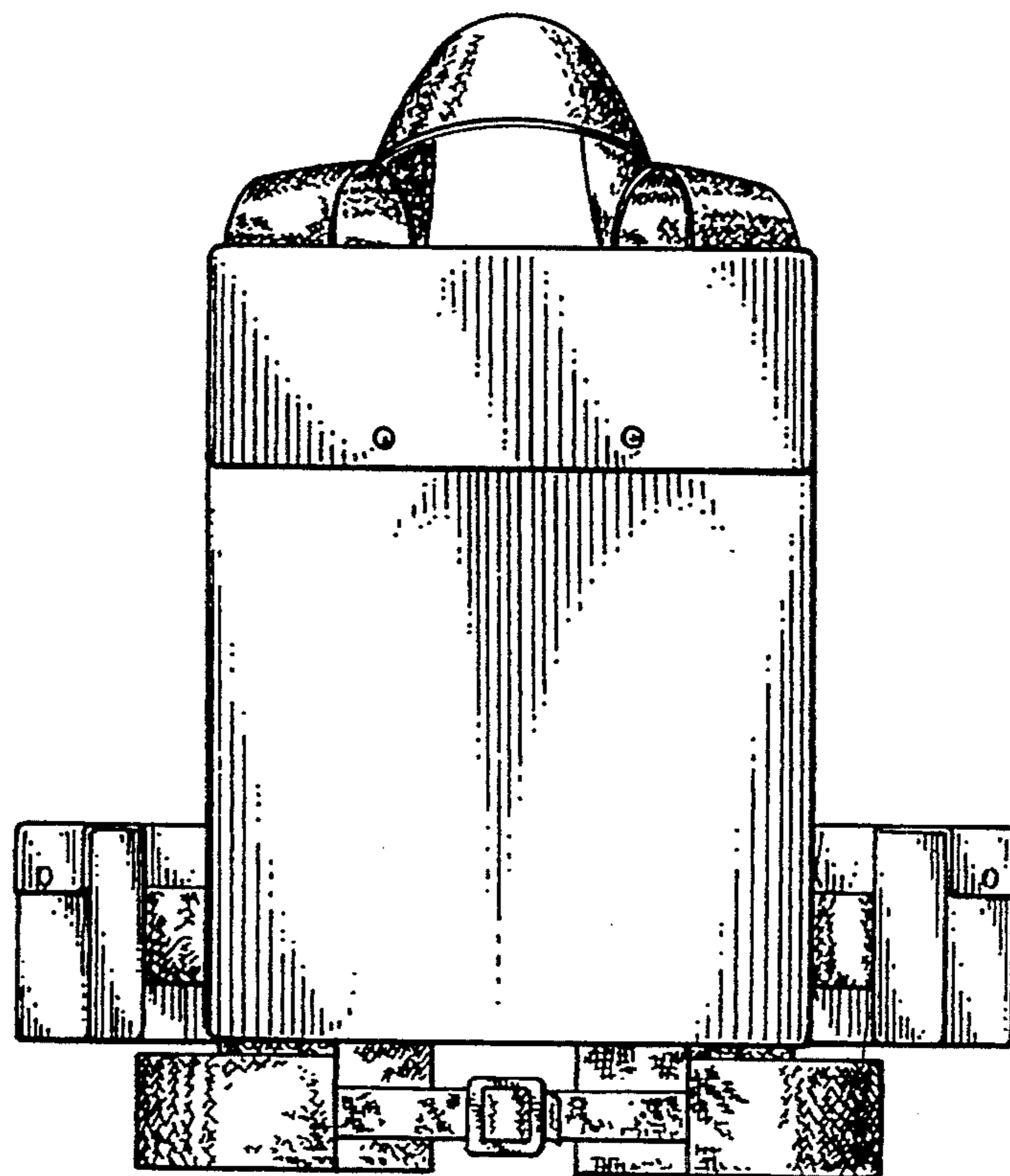


FIG. 6