



US00D357336S

# United States Patent [19]

[11] Patent Number: **Des. 357,336**

Moine et al.

[45] Date of Patent: **\*\* Apr. 11, 1995**

[54] VACUUM CLEANER

[75] Inventors: **David W. Moine**, North Canton;  
**Ronald J. Stephens**, Rittman, both of Ohio

[73] Assignee: **The Hoover Company**, North Canton, Ohio

[\*\*] Term: **14 Years**

[21] Appl. No.: **8,851**

[22] Filed: **May 12, 1993**

[52] U.S. Cl. .... **D32/23**

[58] Field of Search ..... **D32/21, 23-24;**  
**15/320, 321, 323, 327.1-327.7, 353, 246.5**

[56] **References Cited**

**U.S. PATENT DOCUMENTS**

D. 208,398	8/1967	Otto et al. ....	D32/16
D. 255,357	6/1980	Brooks et al. ....	D32/23
D. 261,515	10/1981	Schaefer et al. ....	D32/23
D. 280,768	9/1985	Ferraris et al. ....	D32/23
D. 286,336	10/1986	Berfield et al. ....	D32/23
D. 287,658	1/1987	Berfield et al. ....	D32/25
D. 287,895	1/1987	Berfield et al. ....	D32/25
D. 294,879	3/1988	Berfield .....	D32/21
D. 324,930	3/1992	Pino .....	D32/23
D. 334,376	2/1994	Worwag .....	D32/23
D. 338,294	8/1993	Kohler .....	D32/23
2,713,696	10/1952	Gorham .....	15/257
2,825,087	3/1958	Meyerhoefer .....	15/323
3,570,222	3/1971	Dudek et al. ....	55/472
3,775,951	4/1973	Eicholz et al. ....	55/417
3,780,397	12/1973	Harbeck .....	15/413

3,869,265	3/1975	Wolter et al. ....	55/274
4,538,971	9/1985	Miller et al. ....	417/423
4,654,926	4/1987	Cambridge .....	15/327

**OTHER PUBLICATIONS**

Montgomery Ward Cat, Fall & Winter 1975, p. 695, "Wet/Dry Vacuum Cleaners".

Best Products Cat, 1981/82, p. 199. "Item 5-7 Vac. Cleaners".

Sears 1983, Spring & Summer, p. 839. "Items 4-5 Wet-Dry Vac. Cleaners".

Sears 1993 Spring/Summer Annual Catalog p. 1229; "Craftsman" Wet/Dry Vacuum Cleaners.

*Primary Examiner*—Ruth McInroy

[57] **CLAIM**

The ornamental design for a vacuum cleaner, as shown and described.

**DESCRIPTION**

FIG. 1 is a top plan view of a vacuum cleaner showing our new design;

FIG. 2 is a front elevational view thereof;

FIG. 3 is a left side elevational view thereof;

FIG. 4 is a right side elevational view thereof;

FIG. 5 is a rear elevational view thereof;

FIG. 6 is a bottom plan view thereof;

FIG. 7 is a front elevational view of a second embodiment thereof;

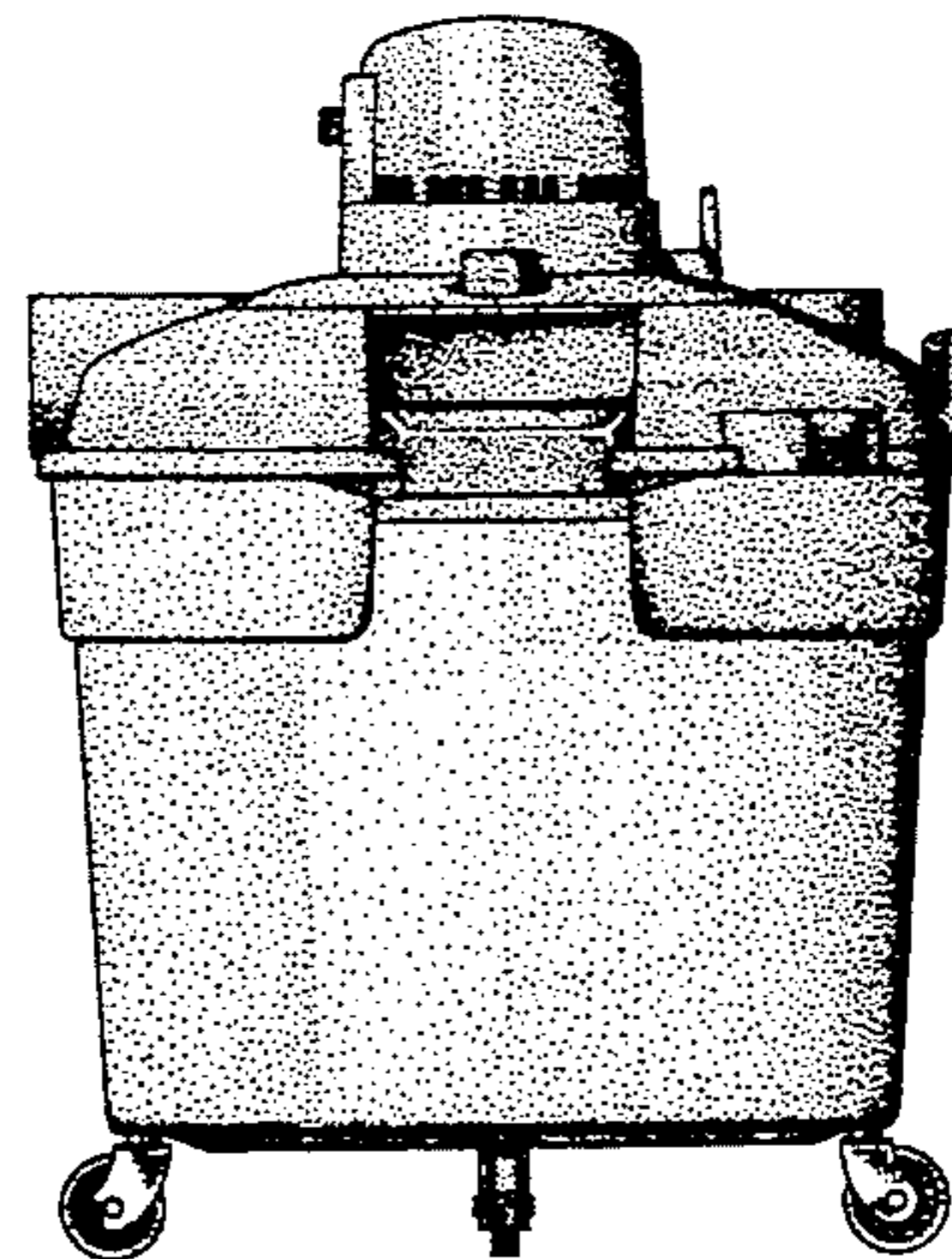
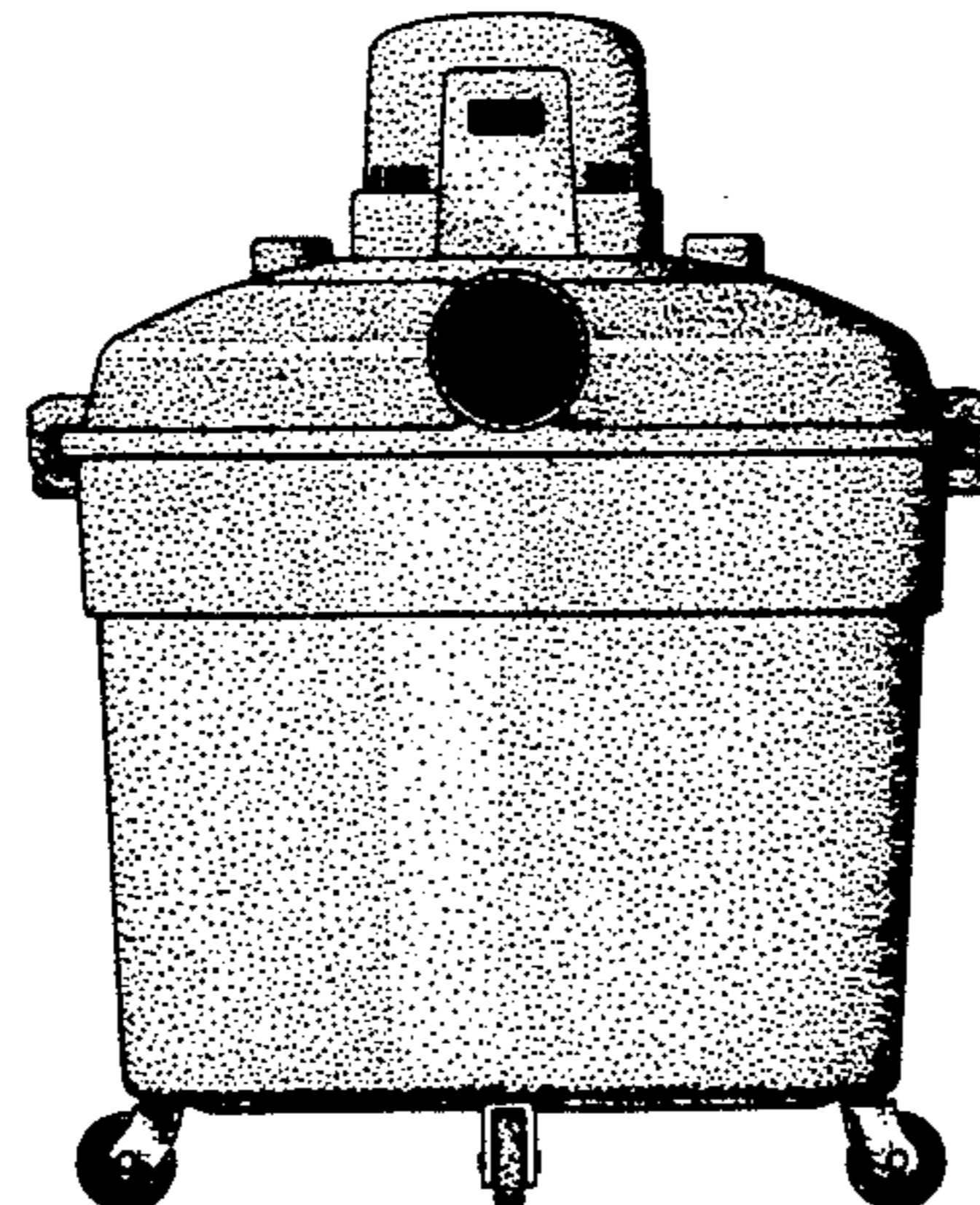
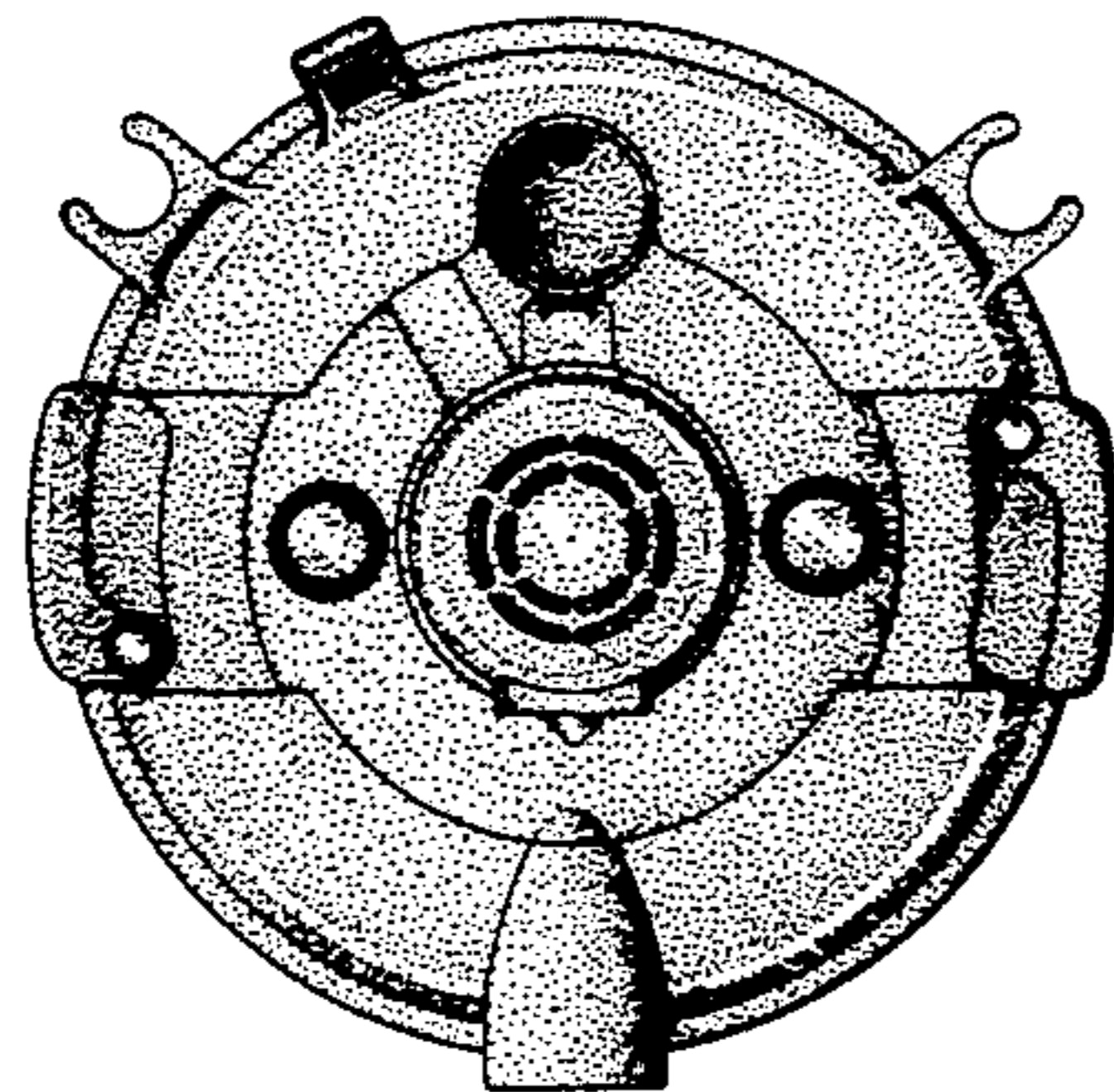
FIG. 8 is a left side elevational view thereof;

FIG. 9 is a right side elevational view thereof;

FIG. 10 is a top plan view thereof;

FIG. 11 is a bottom plan view thereof; and,

FIG. 12 is a rear elevational view thereof.



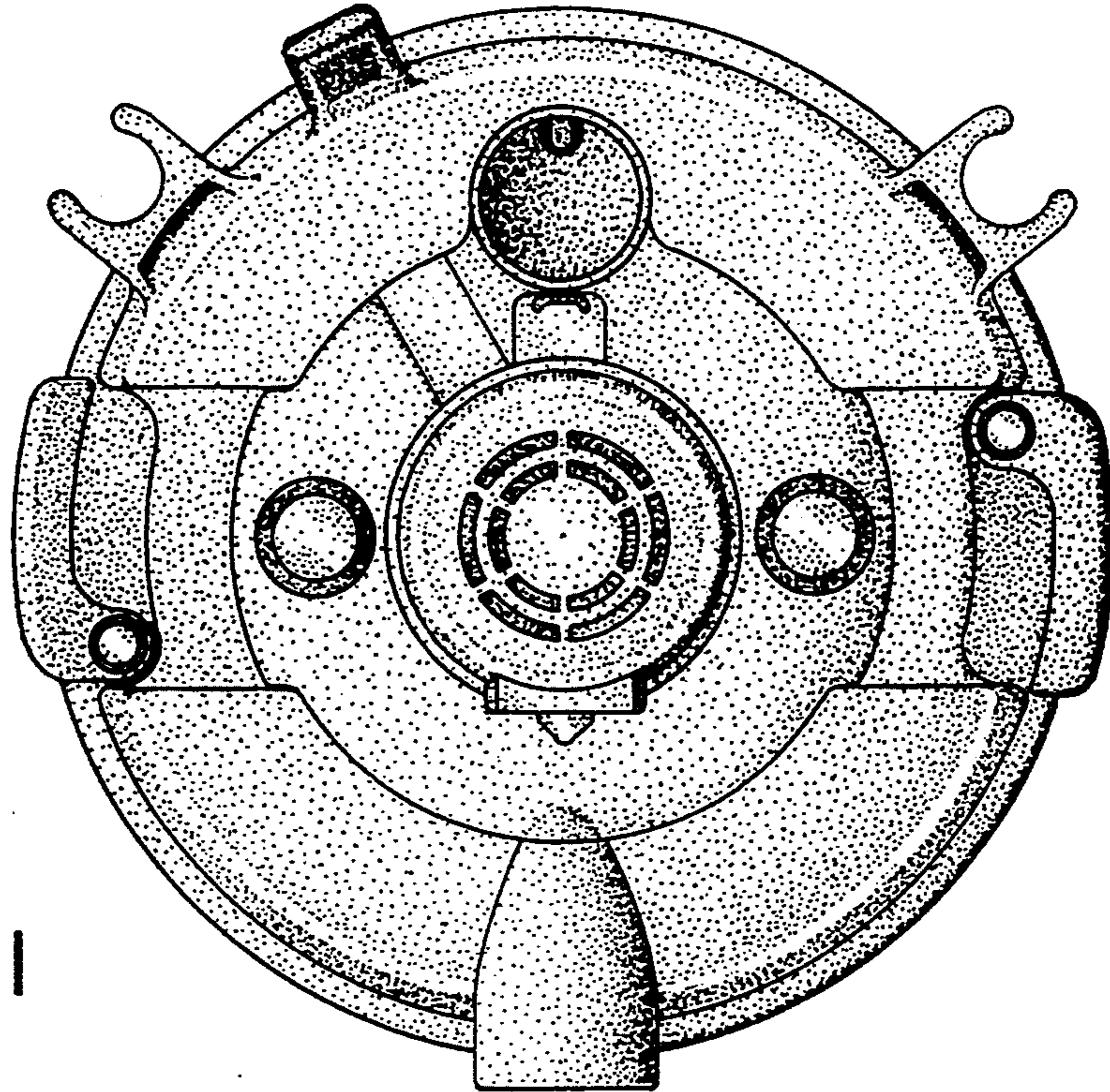


FIG.-1

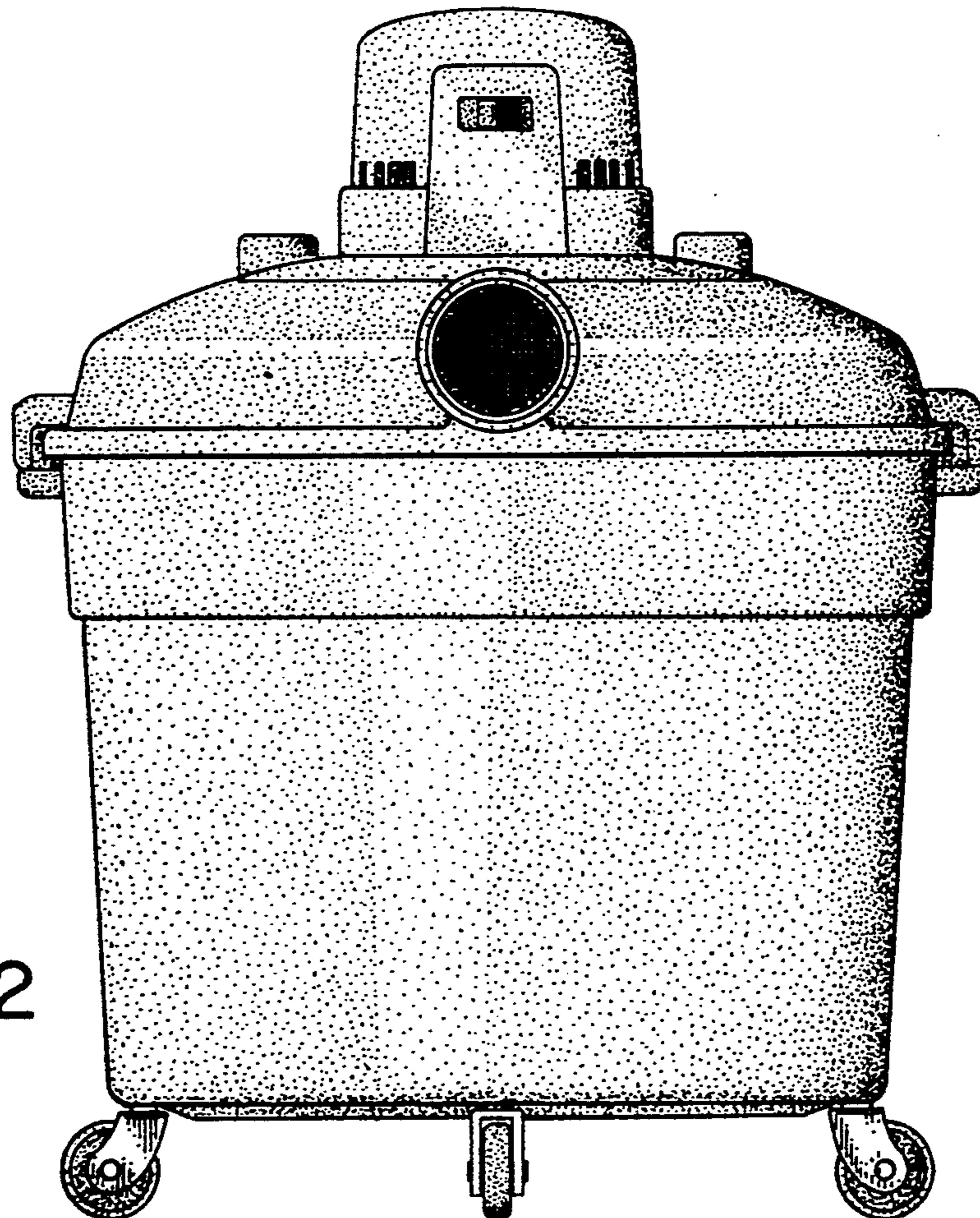


FIG.-2

FIG.-3

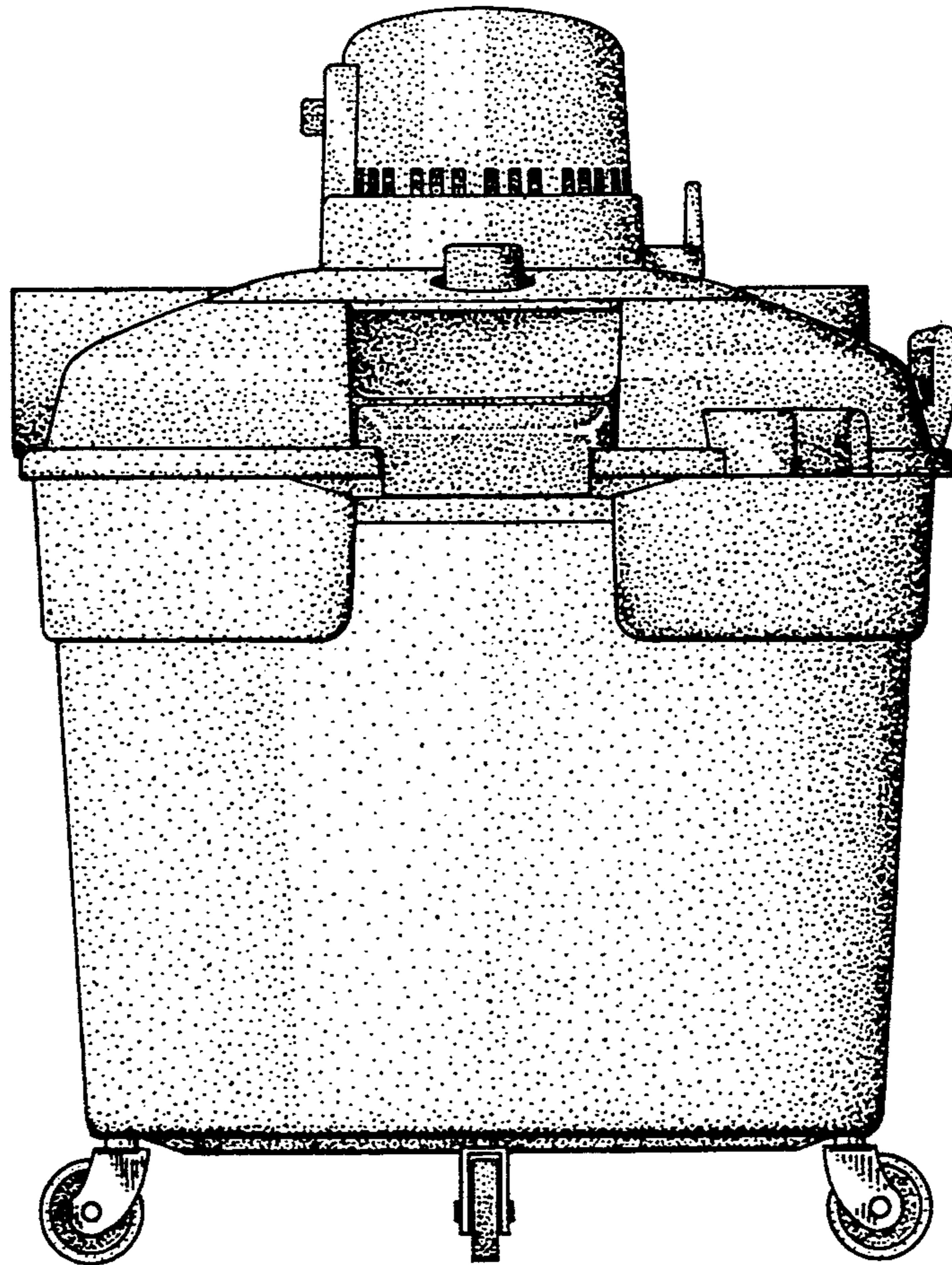


FIG.-4

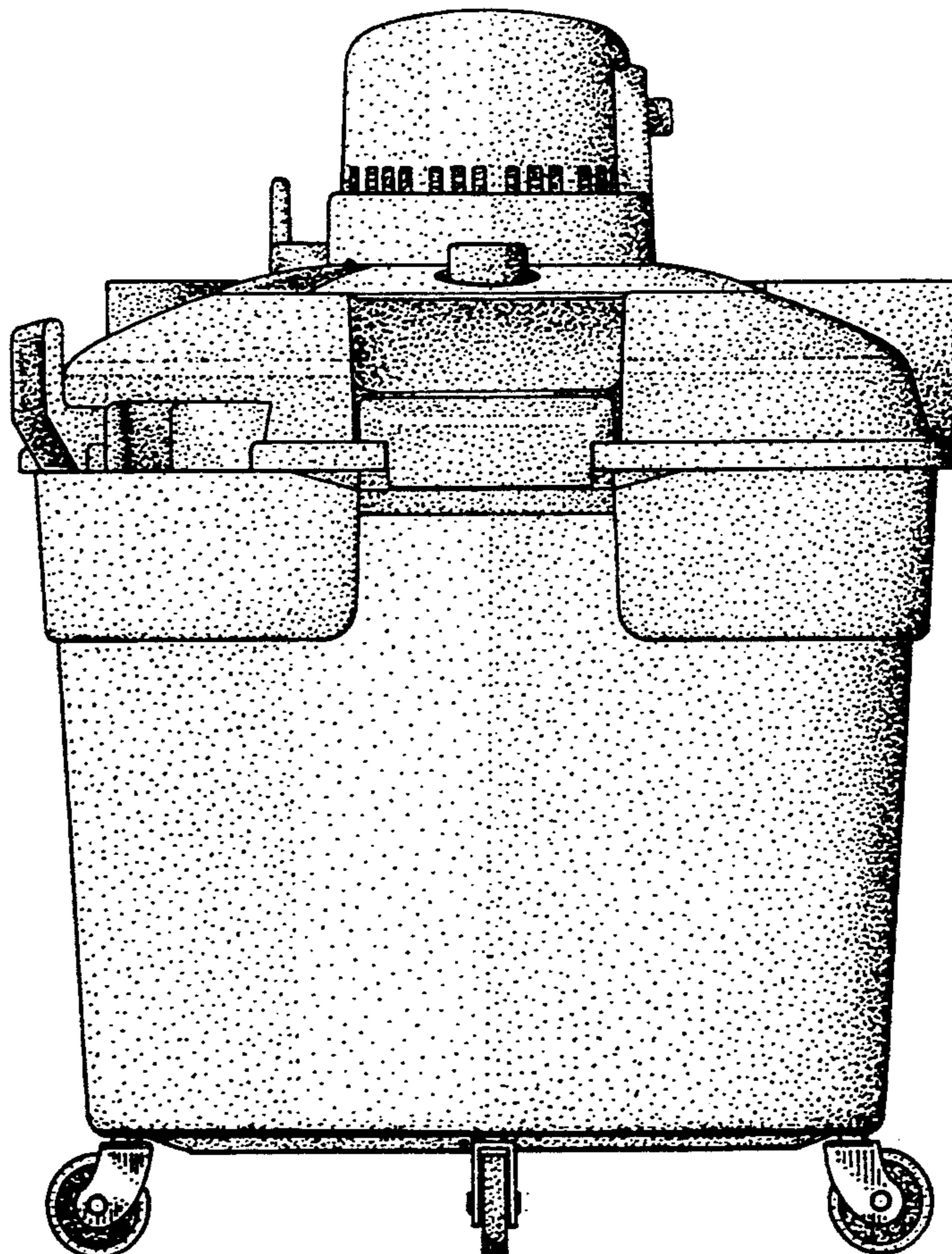


FIG.- 5

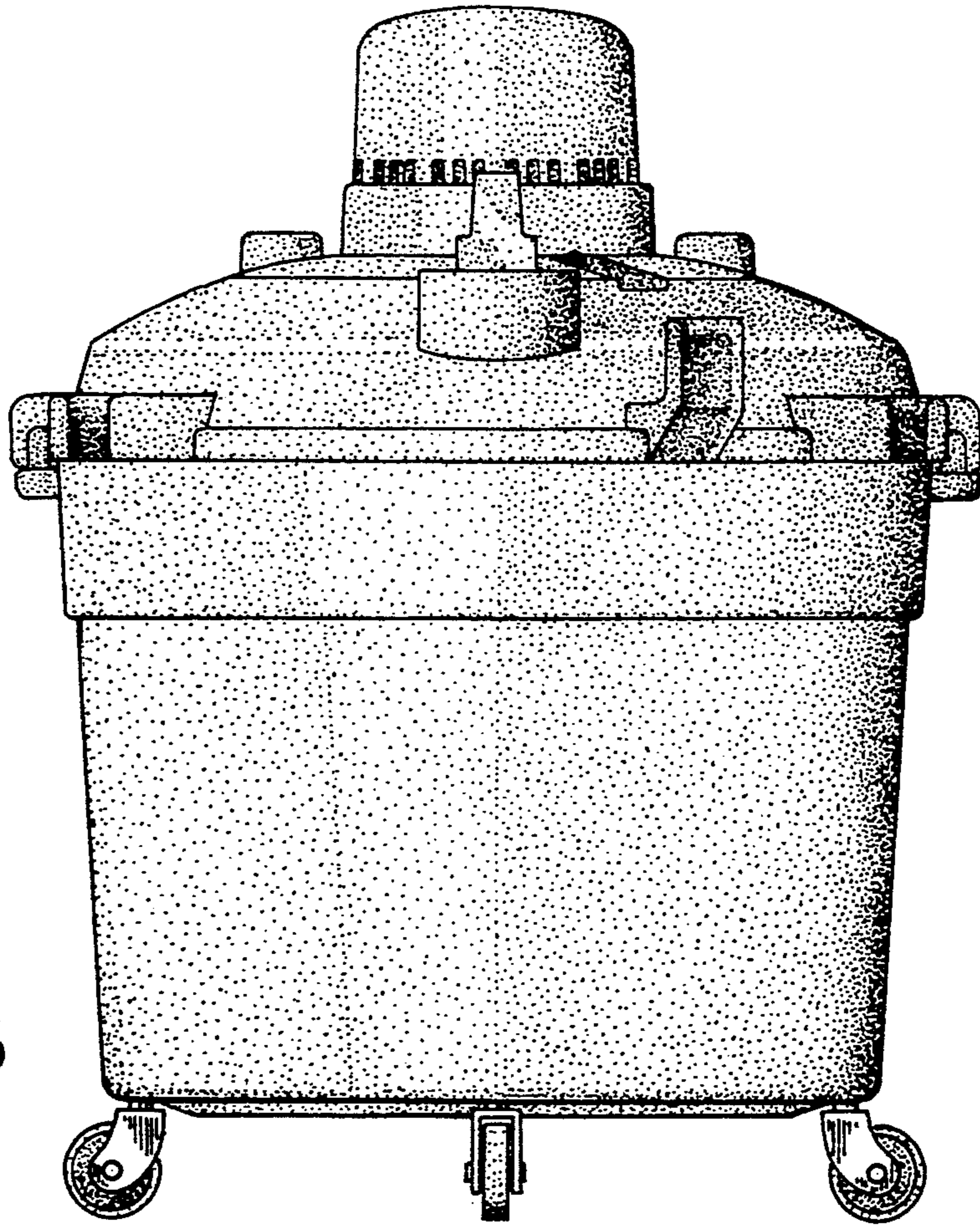
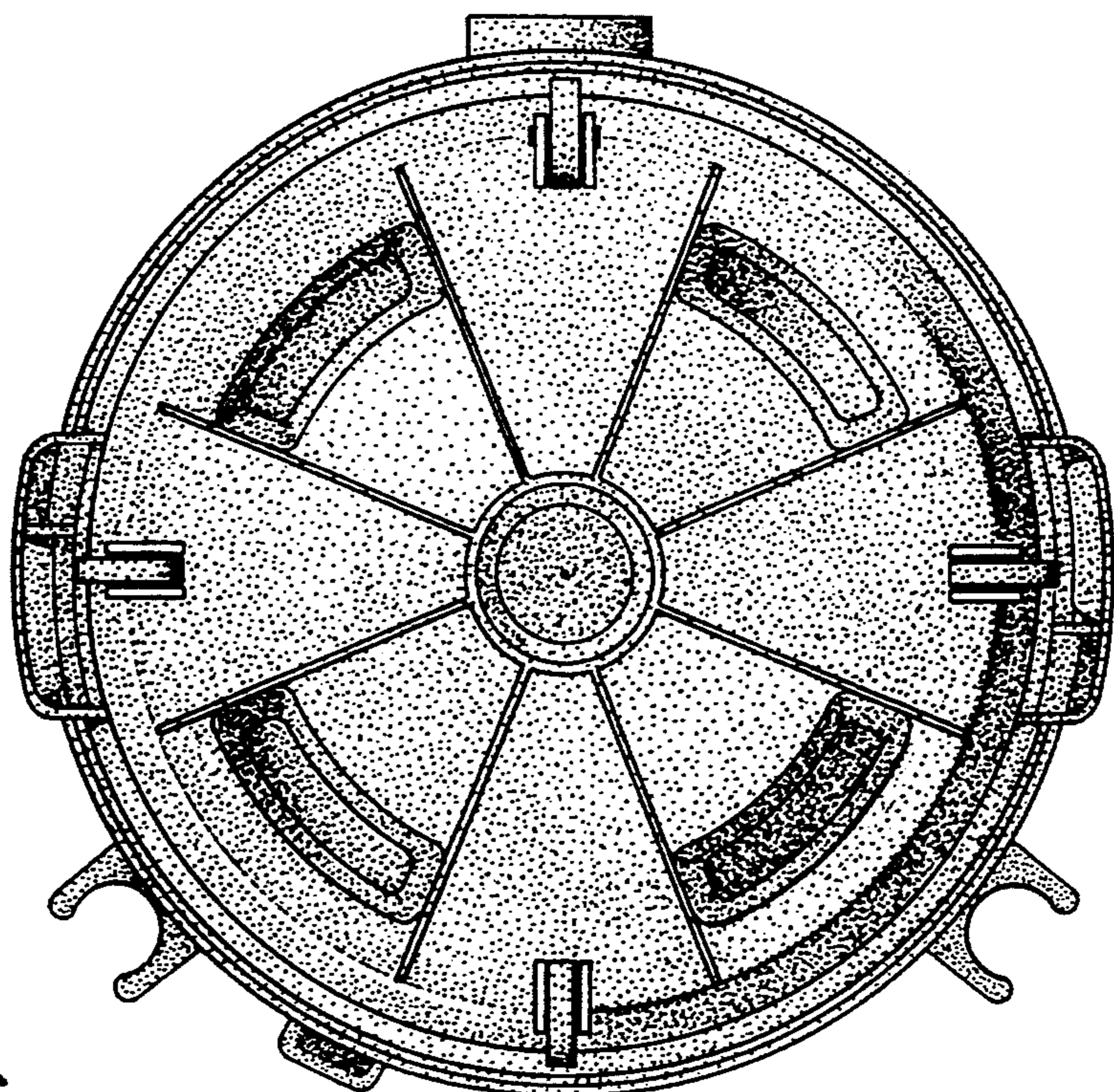


FIG.- 6



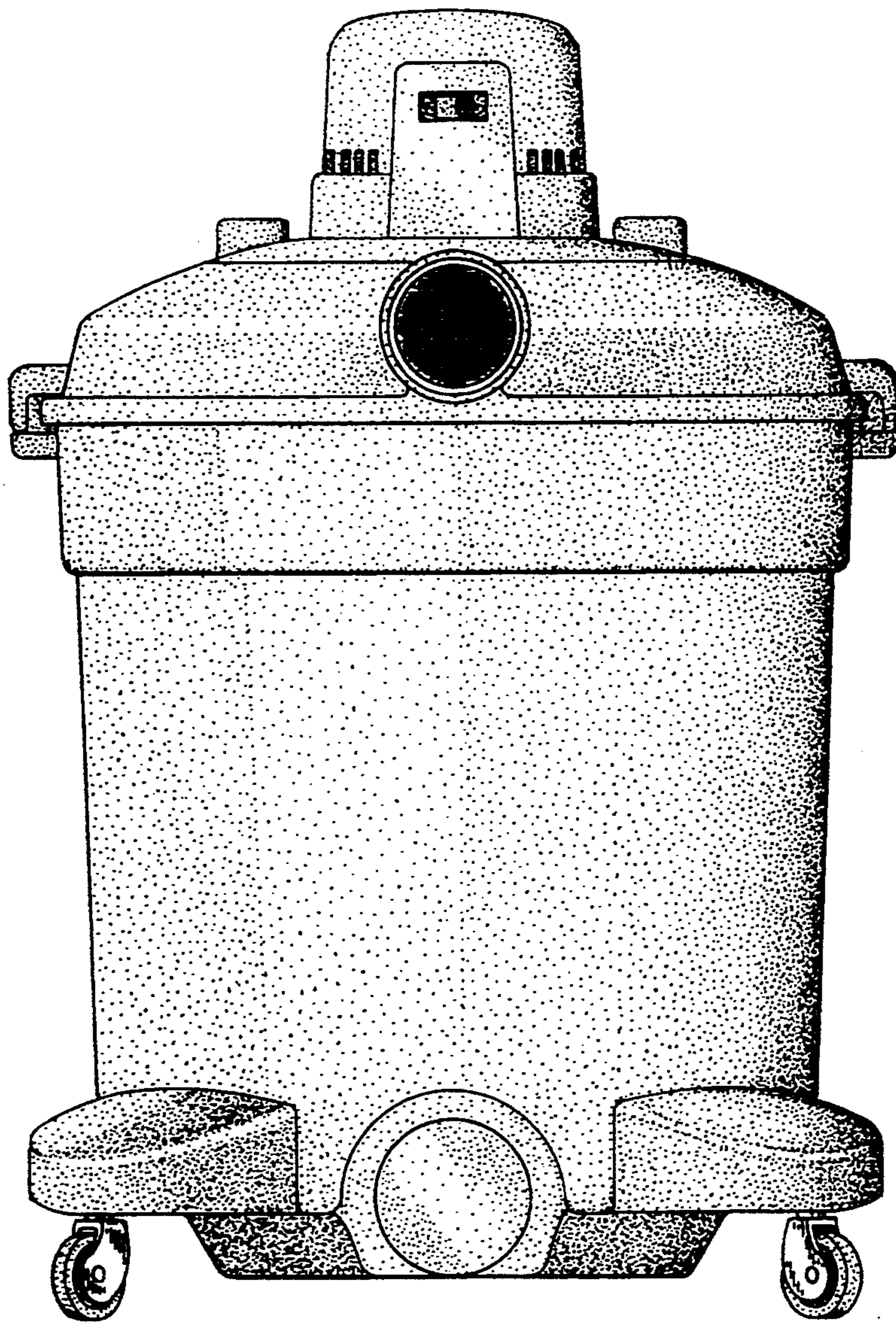


FIG. - 7

FIG.-9

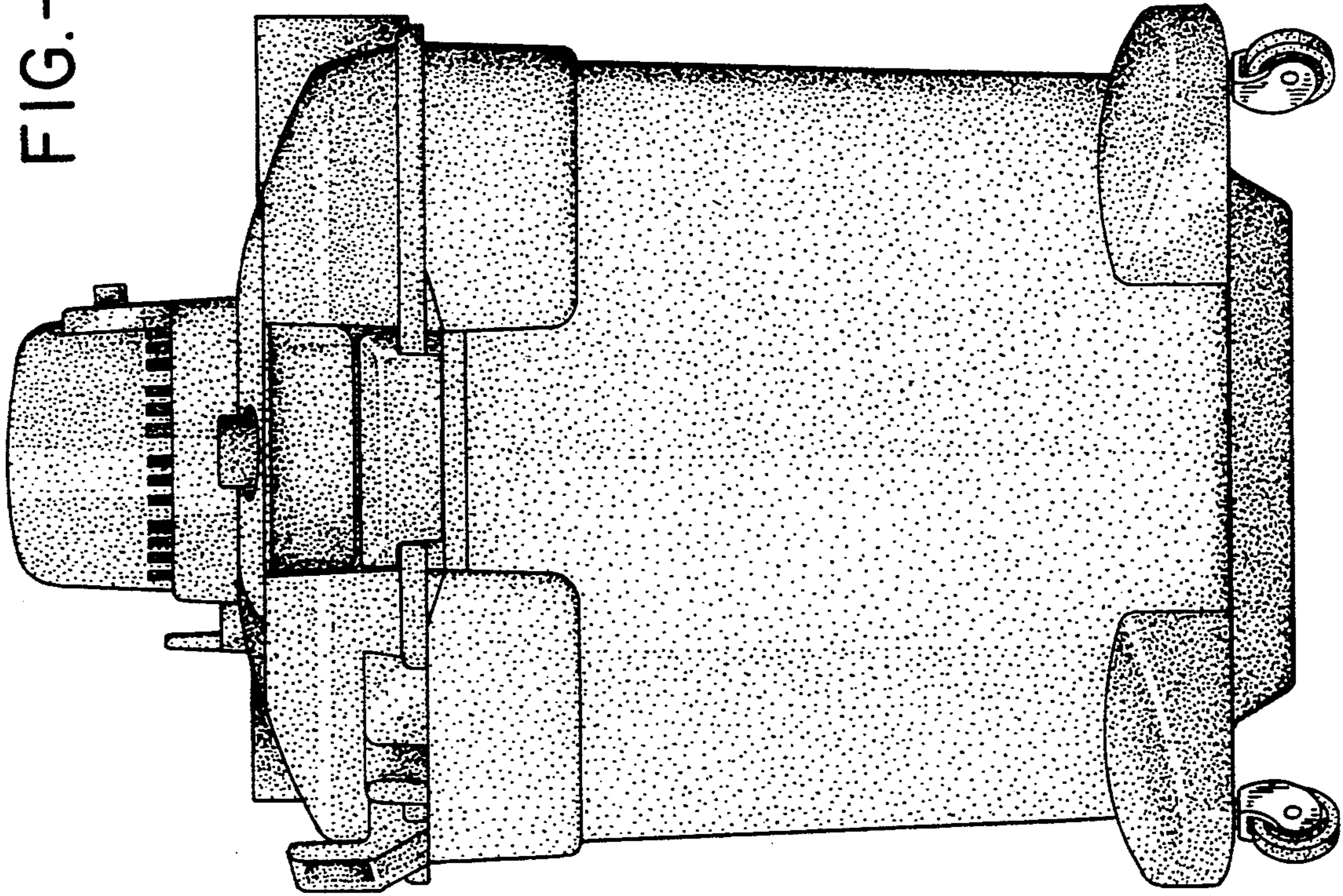
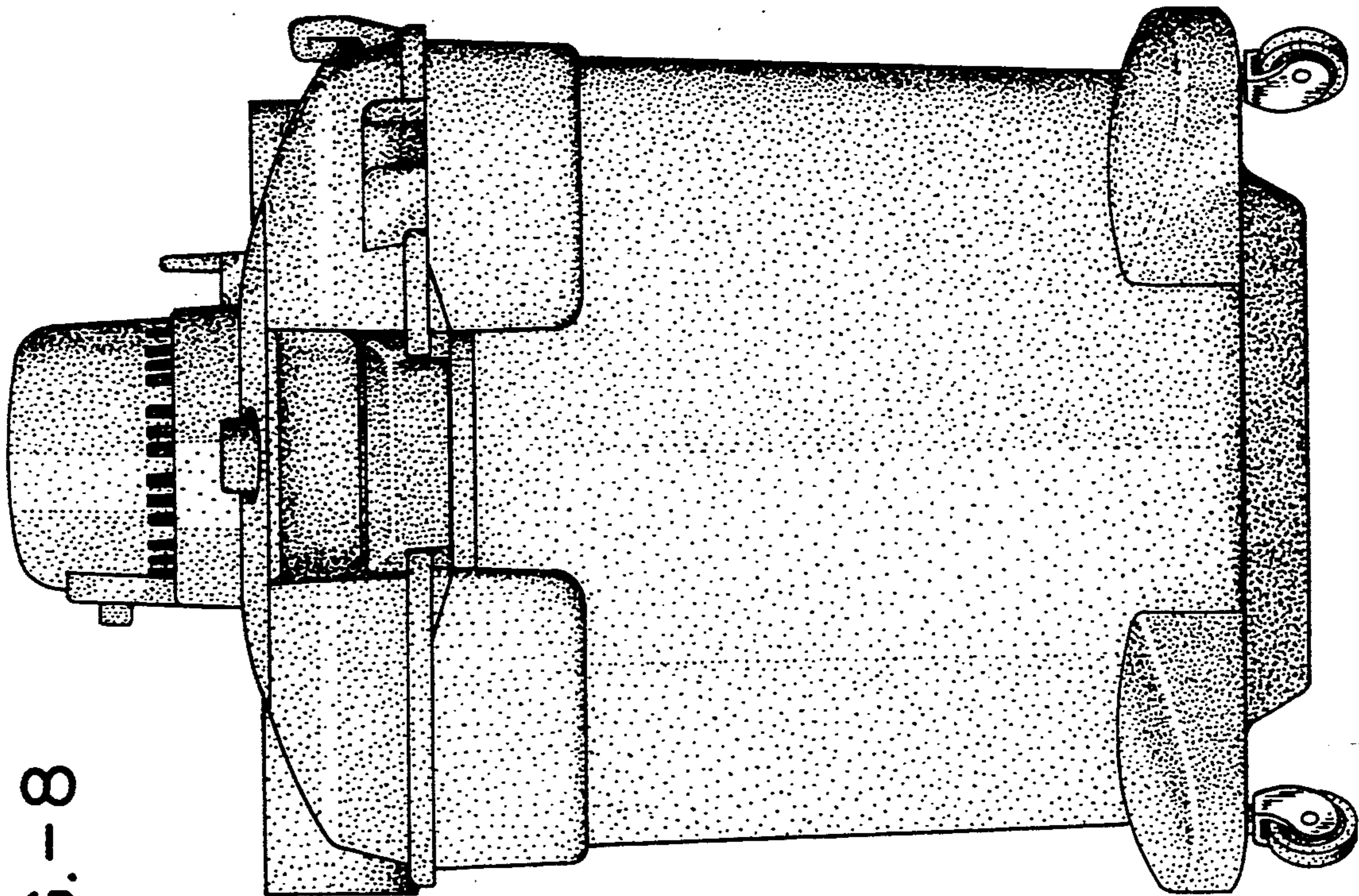


FIG.-8



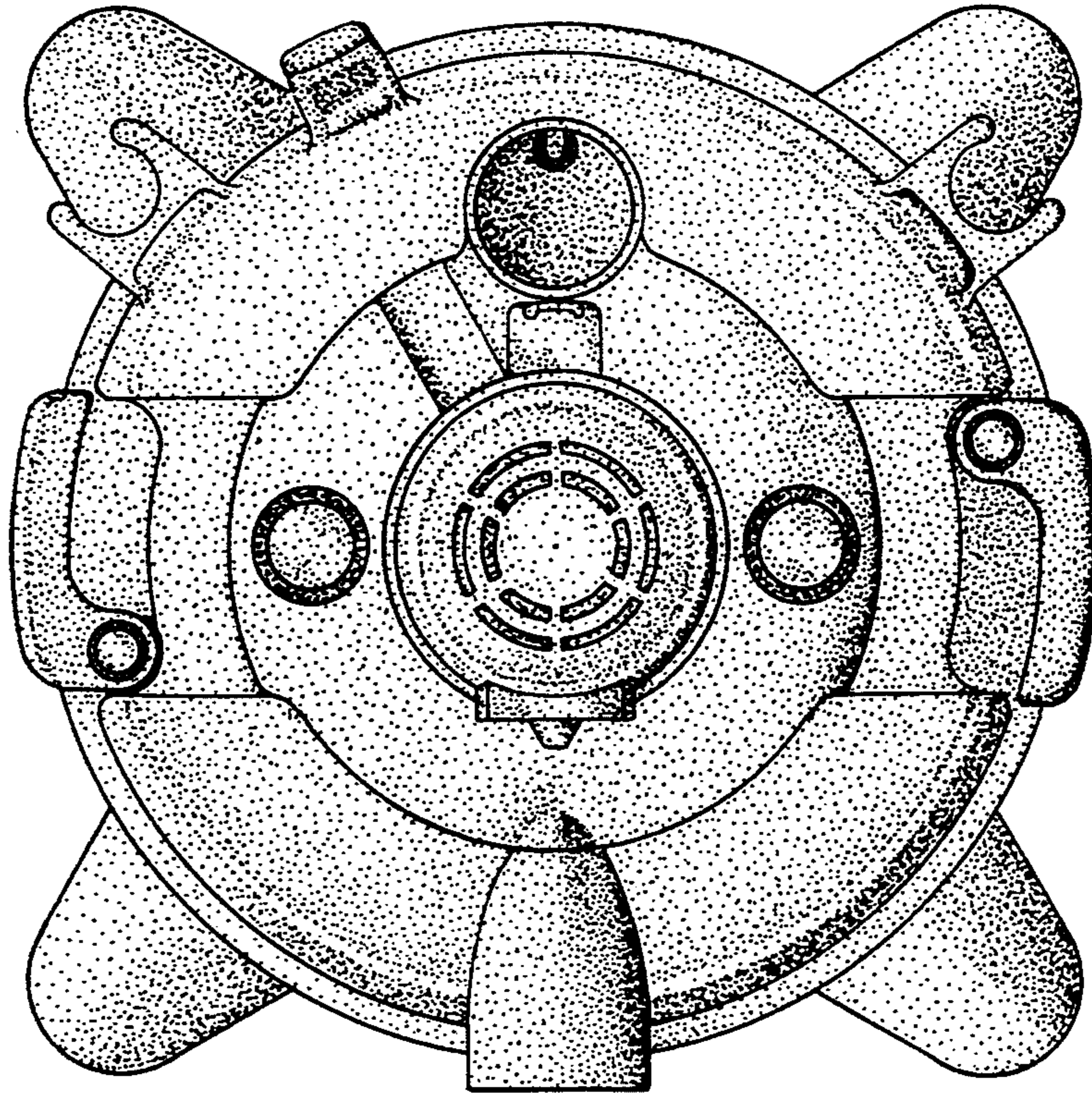


FIG. -10

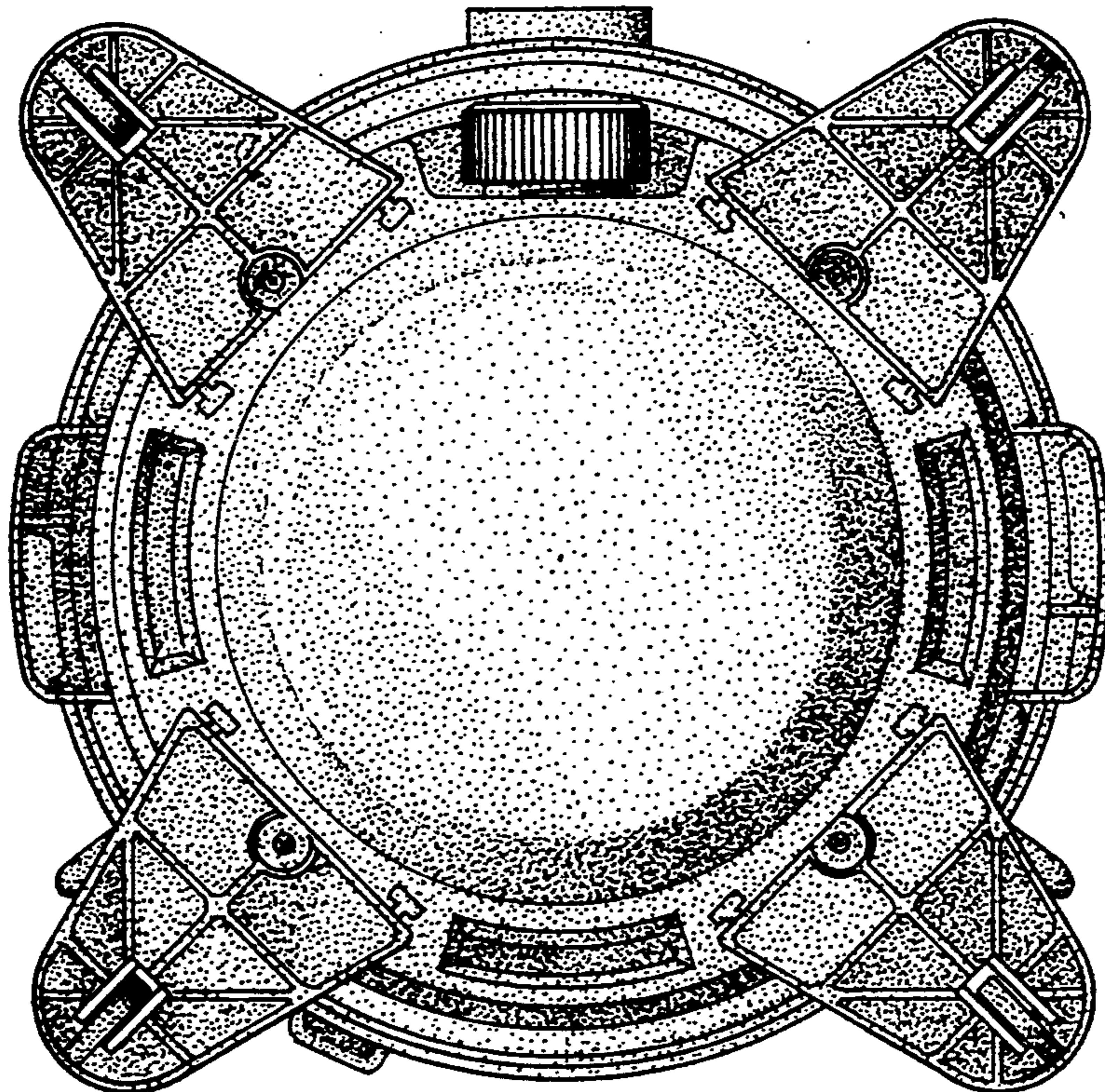


FIG. -11

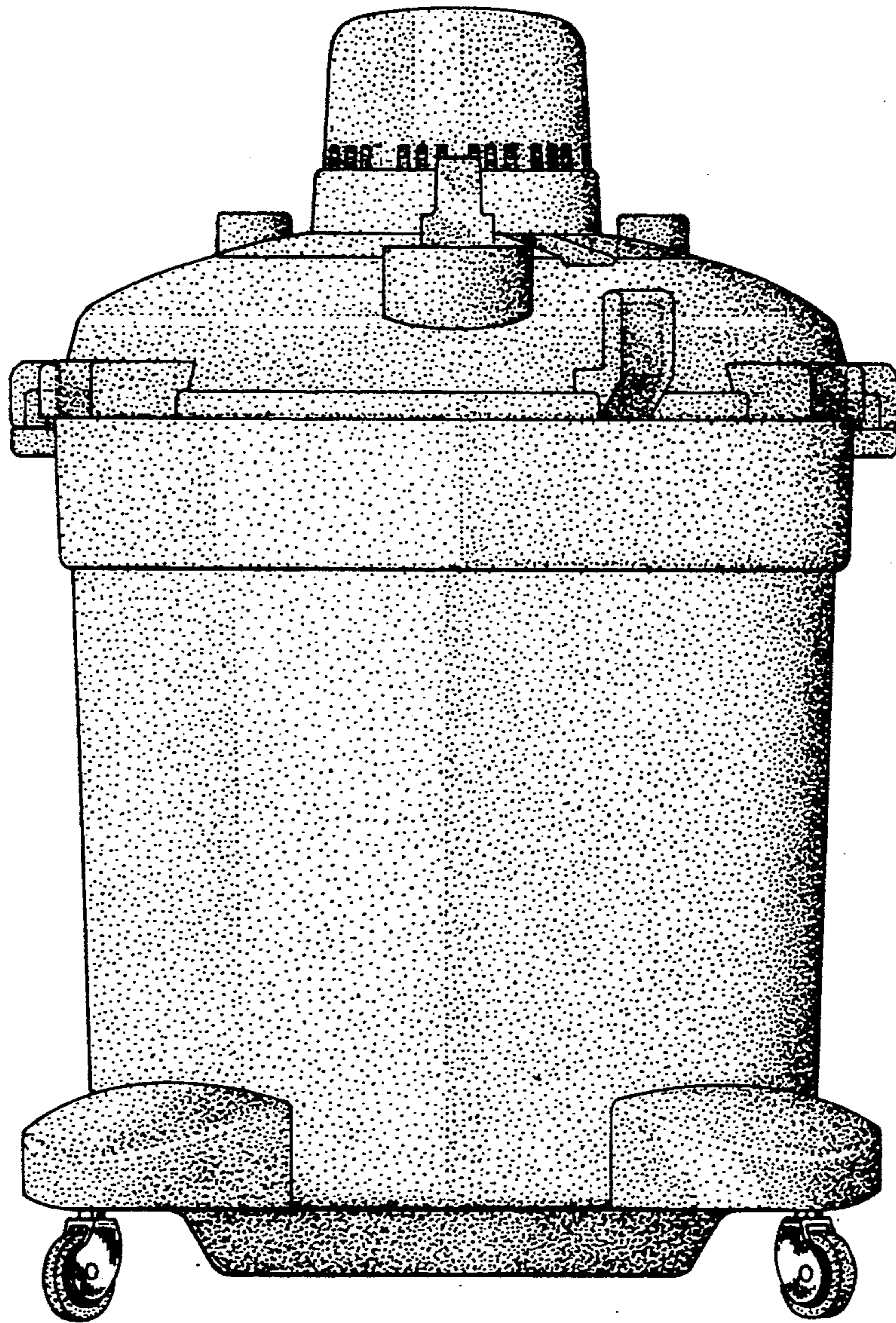


FIG.-12