



US00D357335S

United States Patent [19]

[11] Patent Number: **Des. 357,335**

Cathcart

[45] Date of Patent: **** Apr. 11, 1995**

[54] HAIR BAND WITH DETACHABLE BOW

[76] Inventor: **Donna E. Cathcart**, 1025 54th Ave.,
Vero Beach, Fla. 32966

[**] Term: **14 Years**

[21] Appl. No.: **9,982**

[22] Filed: **Jun. 28, 1993**

[52] U.S. Cl. **D28/41**

[58] Field of Search **D28/39-42;**
D2/891, 895, 941, 946, 976; D11/25, 26, 33,
66-67, 74, 184, 117; 132/273, 275

[56] References Cited

U.S. PATENT DOCUMENTS

D. 122,221	8/1940	Philippe	D11/74
D. 143,702	2/1946	Baxter	D28/41
D. 332,419	1/1993	Haskell	D11/26
2,825,169	3/1958	Cioli	D11/184 X
2,845,670	8/1958	Brown et al.	D28/41 X
3,192,932	7/1965	Hart	D28/42 X
3,204,305	9/1965	Deex	D28/41 X

FOREIGN PATENT DOCUMENTS

2672192 8/1992 France 132/276

OTHER PUBLICATIONS

"Hong Kong Enterprise" Oct. 1989; p. 338; lower left:
item HC-06.

"Hong Kong Enterprise" Oct. 1990; p. 394: top row,
4th item from left-#AW/1059.

"Hong Kong Enterprises" Jun. 1991; p. 338: lower
right, curled-band with bow.

Primary Examiner—B. J. Bullock

Assistant Examiner—C. Tuttle

[57] CLAIM

The ornamental design for a hair band with detachable
bow, as shown and described.

DESCRIPTION

FIG. 1 is a front elevational view of the hair band with
detachable bow showing my new design;
FIG. 2 is a rear elevational view thereof;
FIG. 3 is a left side elevational view thereof;
FIG. 4 is a right side elevational view thereof;
FIG. 5 is a top plan view thereof; and,
FIG. 6 is a bottom plan view thereof.

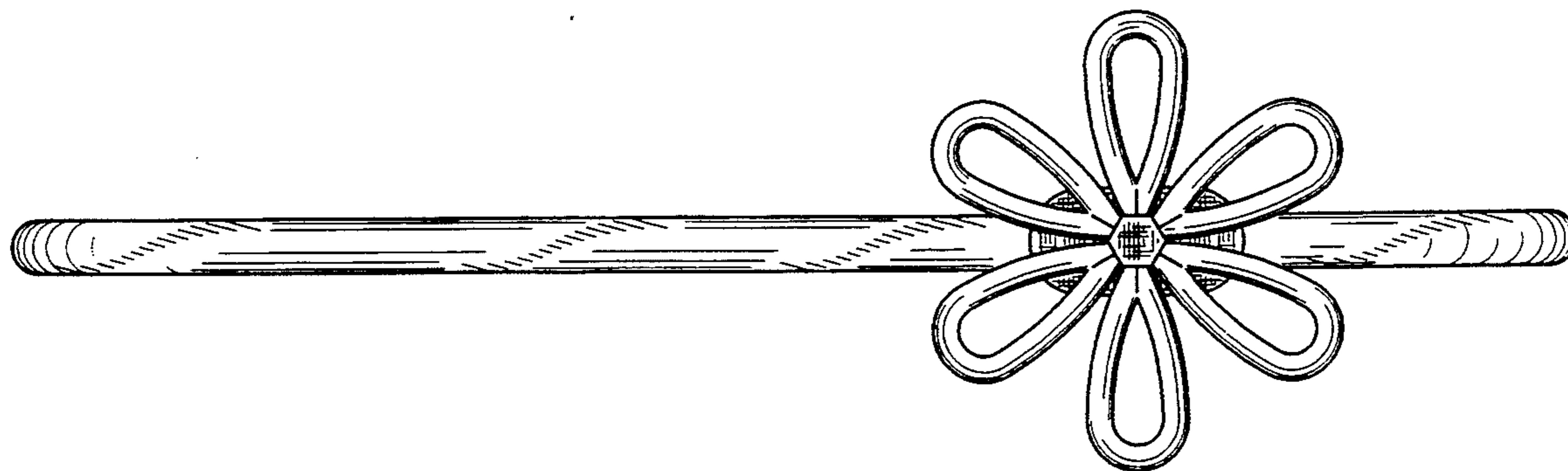


FIG. 1

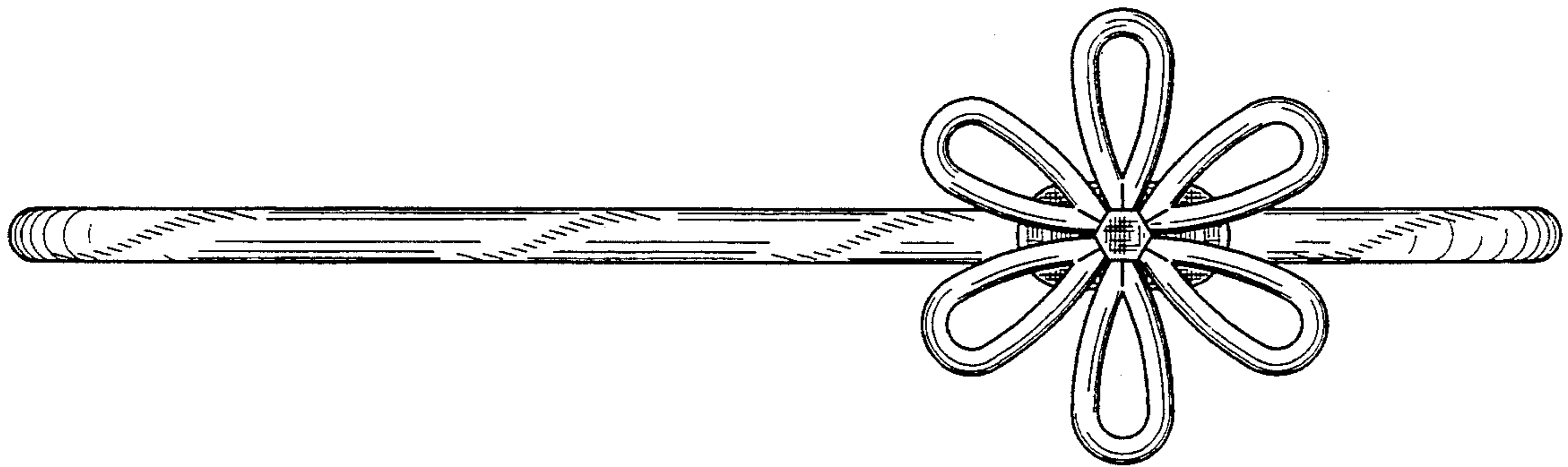


FIG. 2

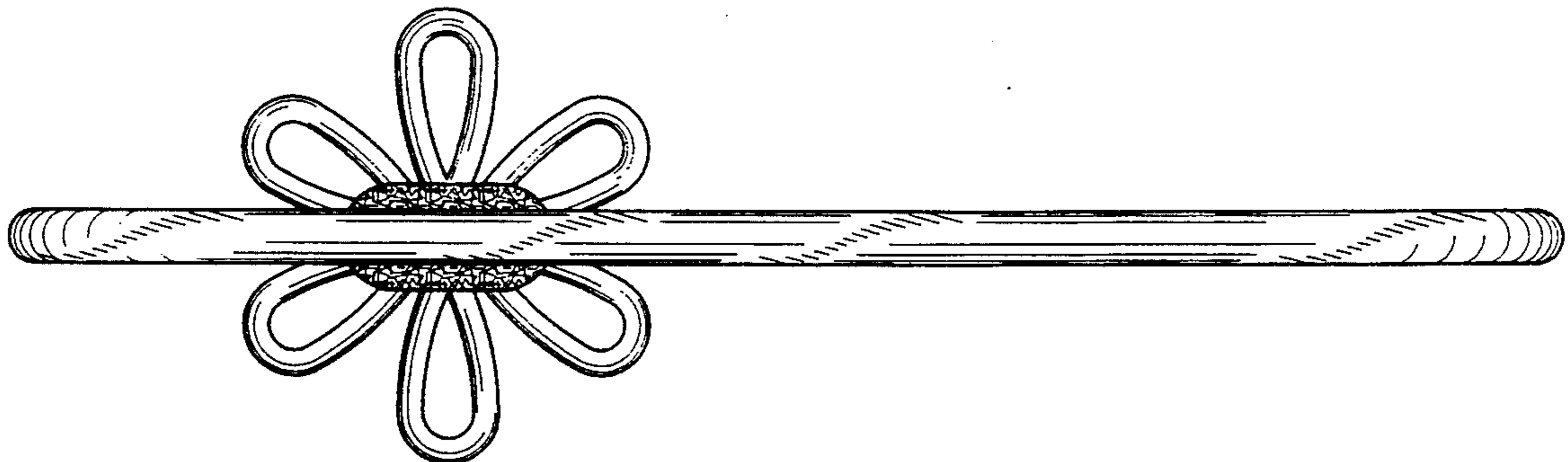


FIG. 3

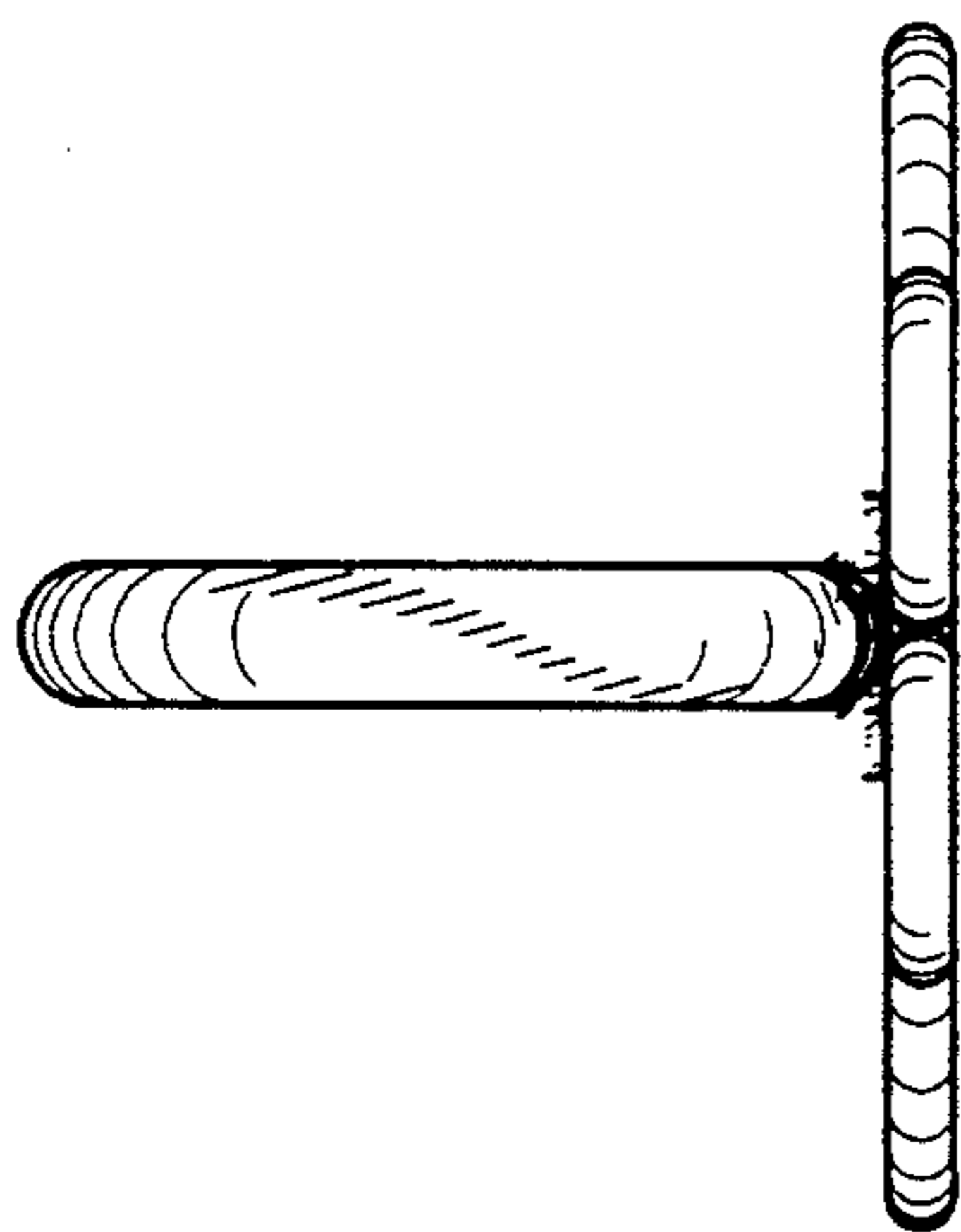


FIG. 4

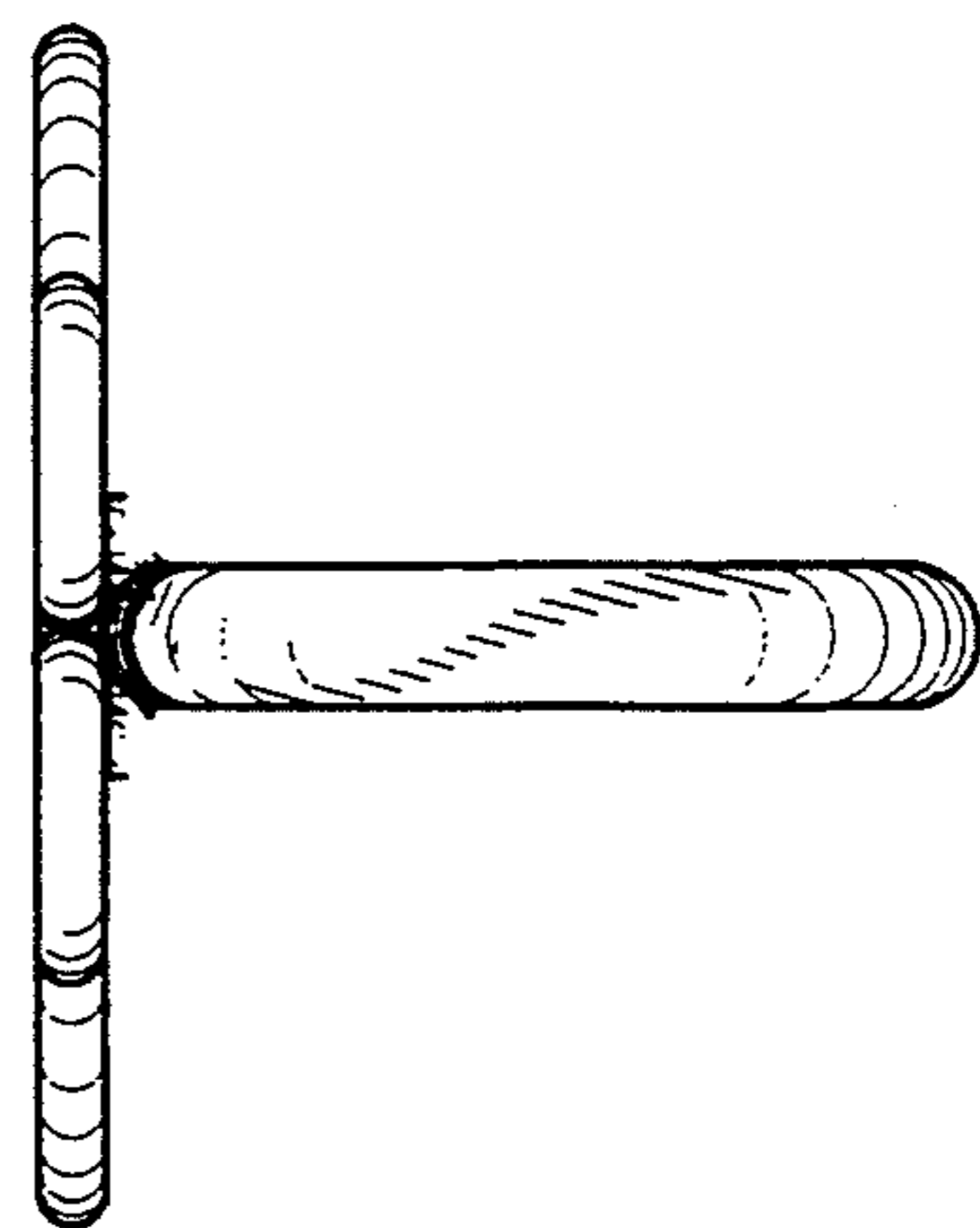


FIG. 5

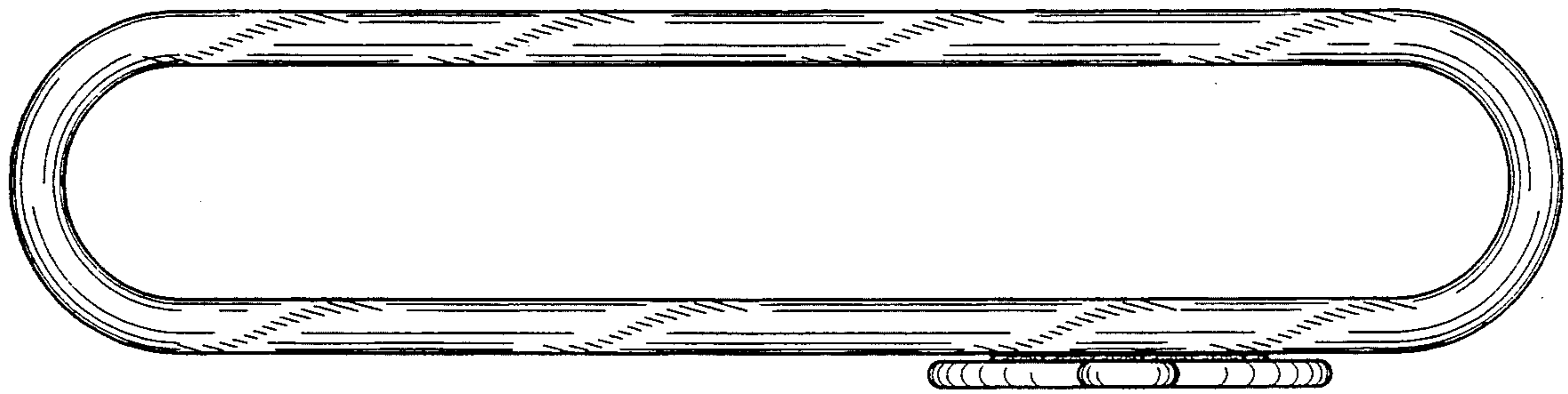


FIG. 6

