



US00D357330S

United States Patent [19]

[11] Patent Number: **Des. 357,330**

Wong et al.

[45] Date of Patent: **** Apr. 11, 1995**

[54] **ELECTRIC AIR FRESHENER WITH NIGHTLIGHT**

D. 284,707 7/1986 Tanaka D26/37
D. 324,098 2/1992 Ragonesi D23/366

[75] Inventors: **Wing F. W. Wong; John Mak; Wilson Chan**, all of Kowloon, Hong Kong

FOREIGN PATENT DOCUMENTS

2019802 7/1992 United Kingdom .
2022945 7/1992 United Kingdom .
2019801 9/1992 United Kingdom .
2022944 9/1992 United Kingdom .

[73] Assignees: **Rockitt & Colman Inc.**, Wayne, N.J.; **Windmere Corporation**, Miami Lakes, Fla.

Primary Examiner—Susan J. Lucas
Assistant Examiner—Cynthia E. Ramirez
Attorney, Agent, or Firm—Frederick H. Rabin

[**] Term: **14 Years**

[21] Appl. No.: **14,159**

[57] CLAIM

[22] Filed: **Oct. 14, 1993**

The ornamental design for an electric air freshener with nightlight, as shown and described.

[30] Foreign Application Priority Data

DESCRIPTION

Apr. 14, 1993 [GB] United Kingdom 2030384

[52] U.S. Cl. **D26/51; D26/26; D23/366; D23/328**

[58] Field of Search **D26/26, 38, 37; 362/226, 157, 158; D23/366, 364, 328, 365, 367**

FIG. 1 is a top, front, and left side perspective view of the electric air freshener with nightlight showing our new design;

FIG. 2 is a bottom plan view thereof;

FIG. 3 is a front elevational view thereof;

FIG. 4 is a right side elevational view thereof, the opposite side being a mirror image of that shown;

FIG. 5 is a rear elevational view thereof; and,

FIG. 6 is a top plan view thereof.

[56] References Cited

U.S. PATENT DOCUMENTS

D. 271,042 10/1983 Giannola D26/26 X
D. 271,517 11/1983 Mori D23/366

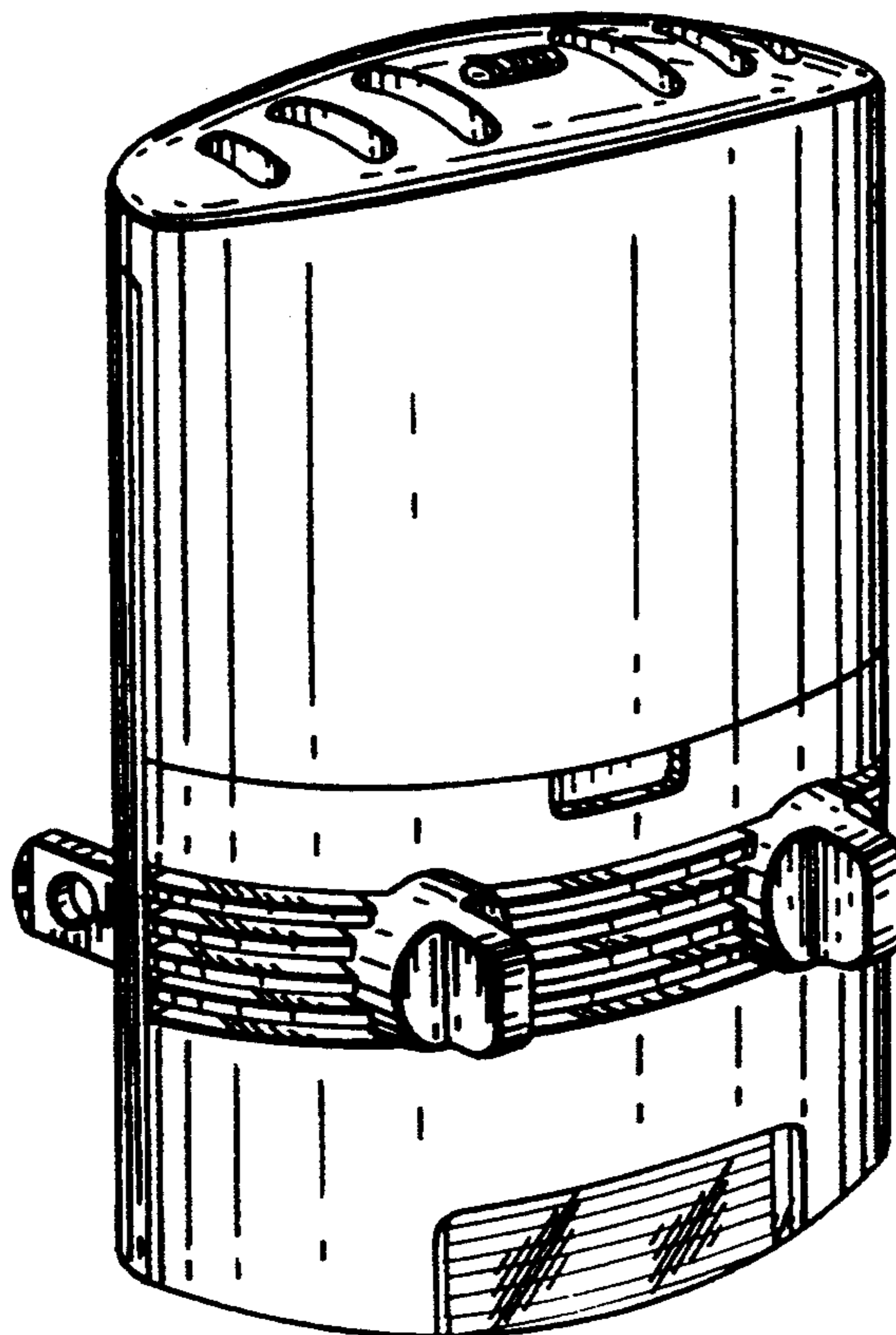


FIG. 1

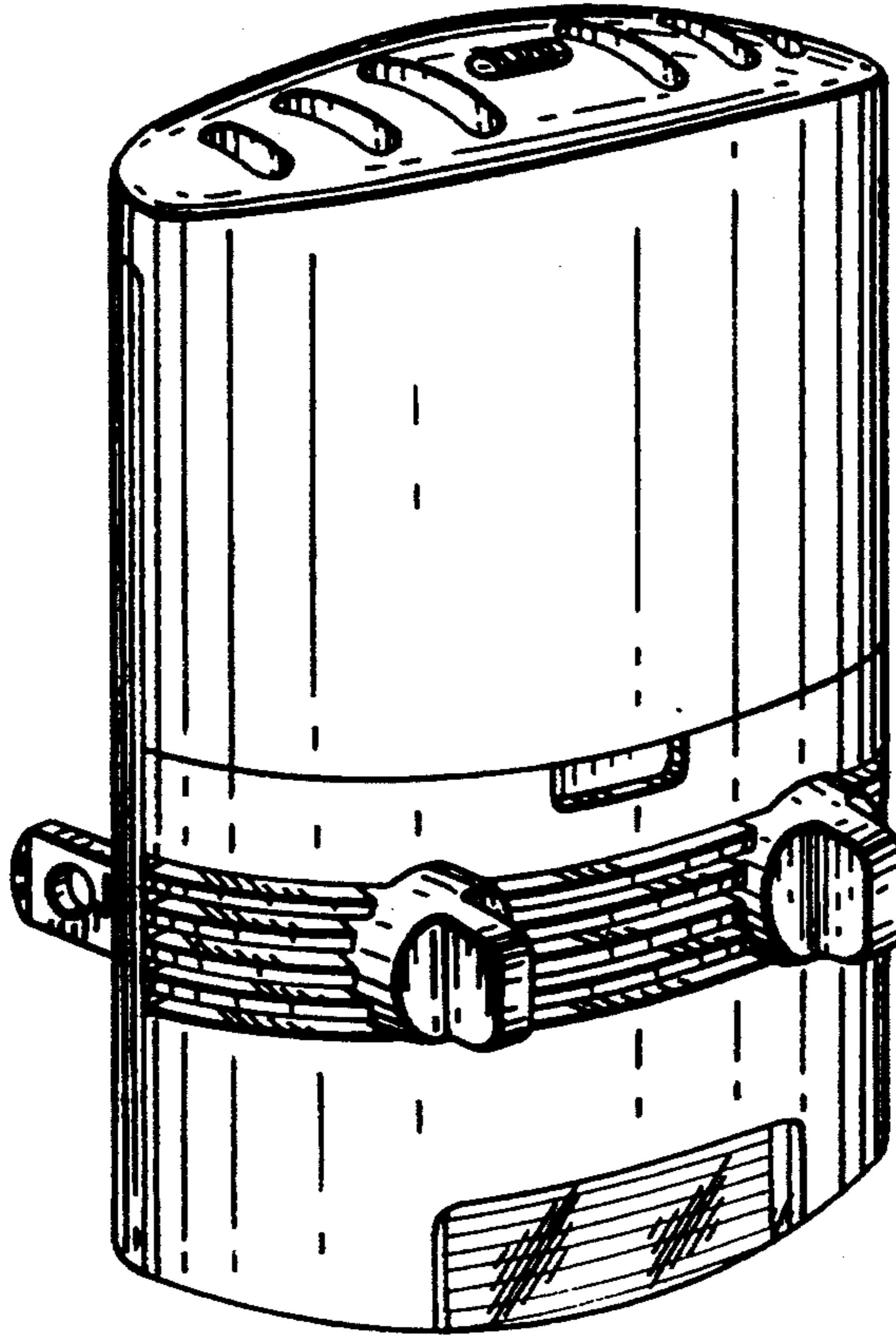


FIG. 2

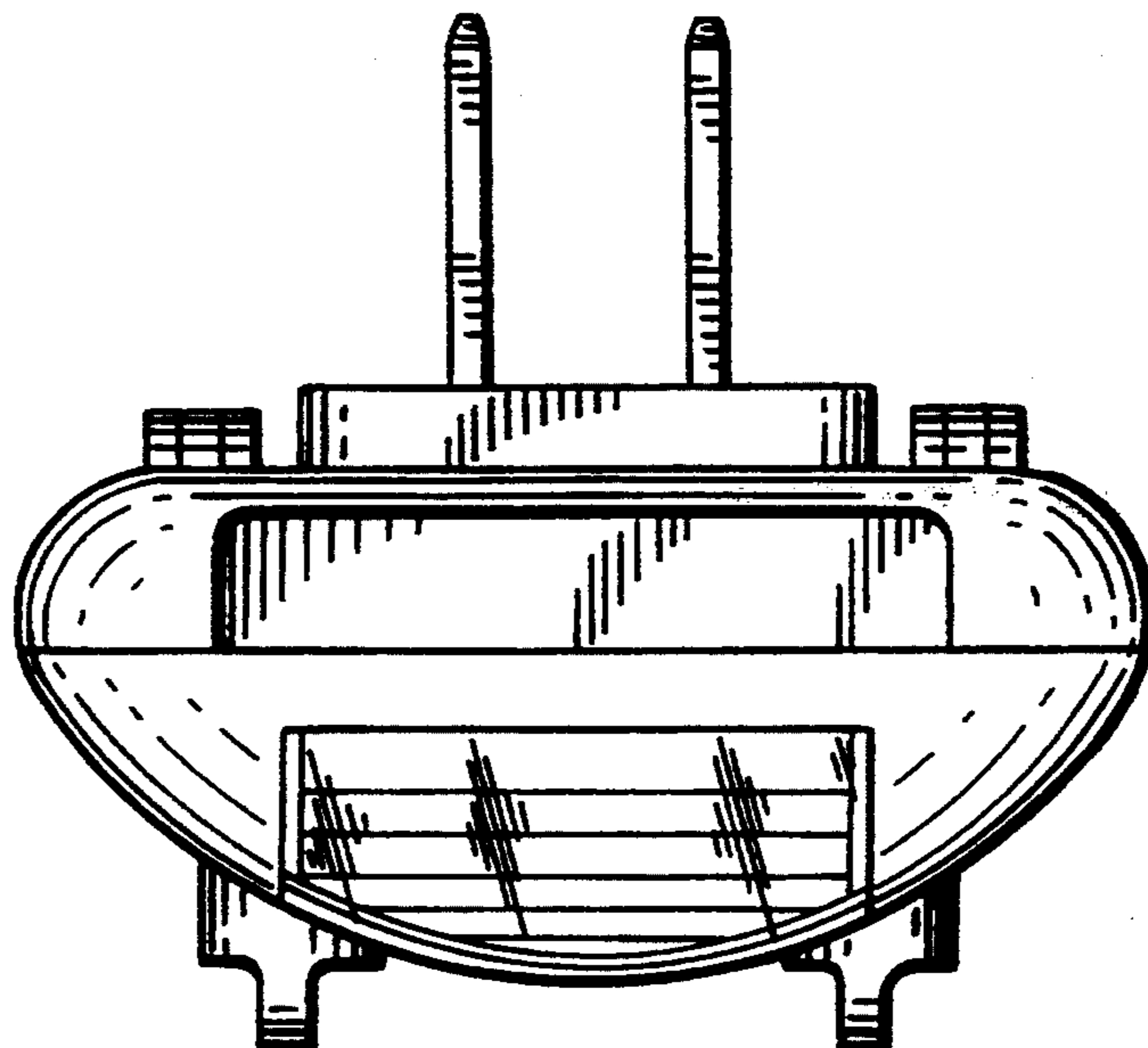


FIG. 4

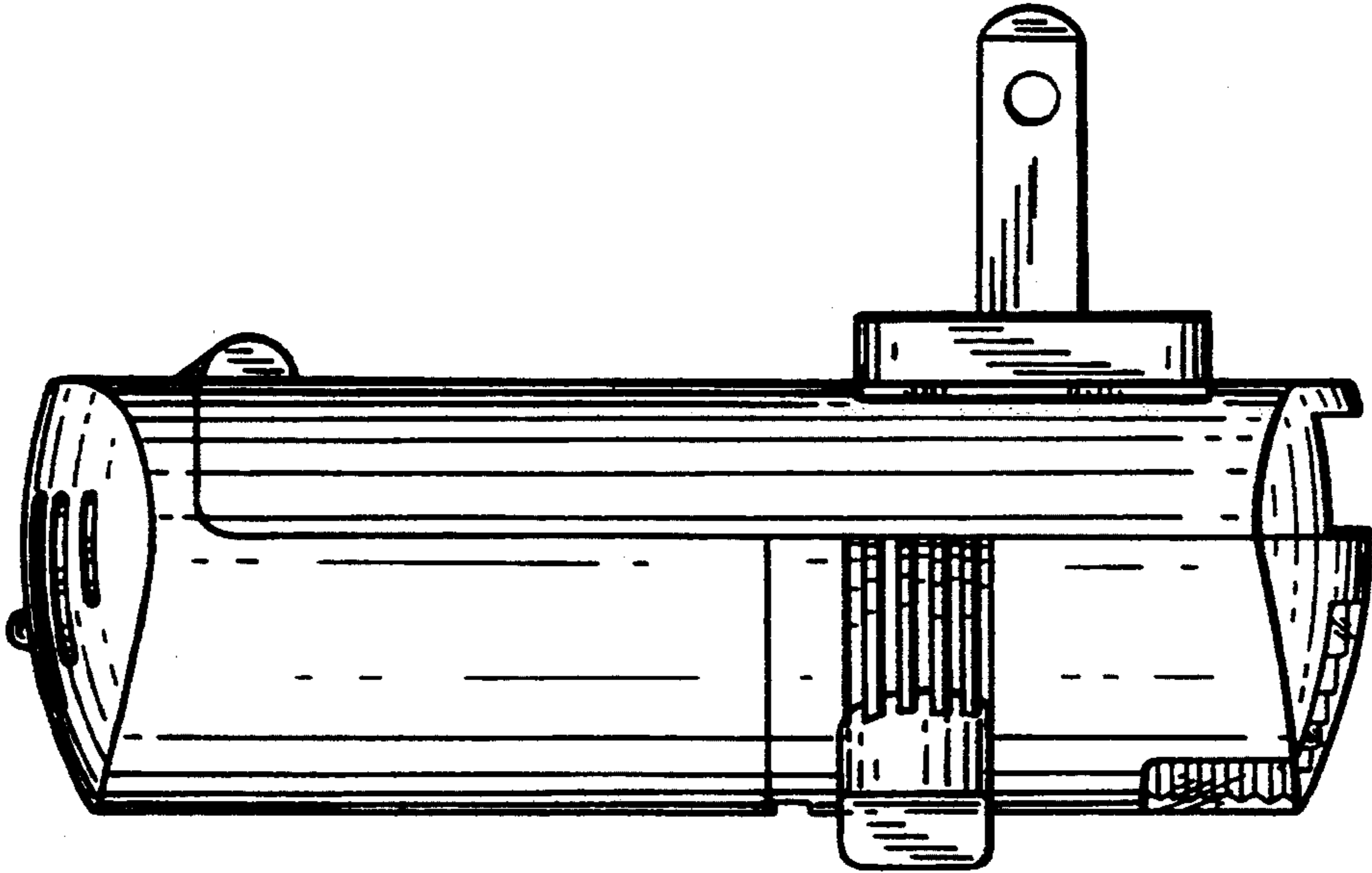


FIG. 3

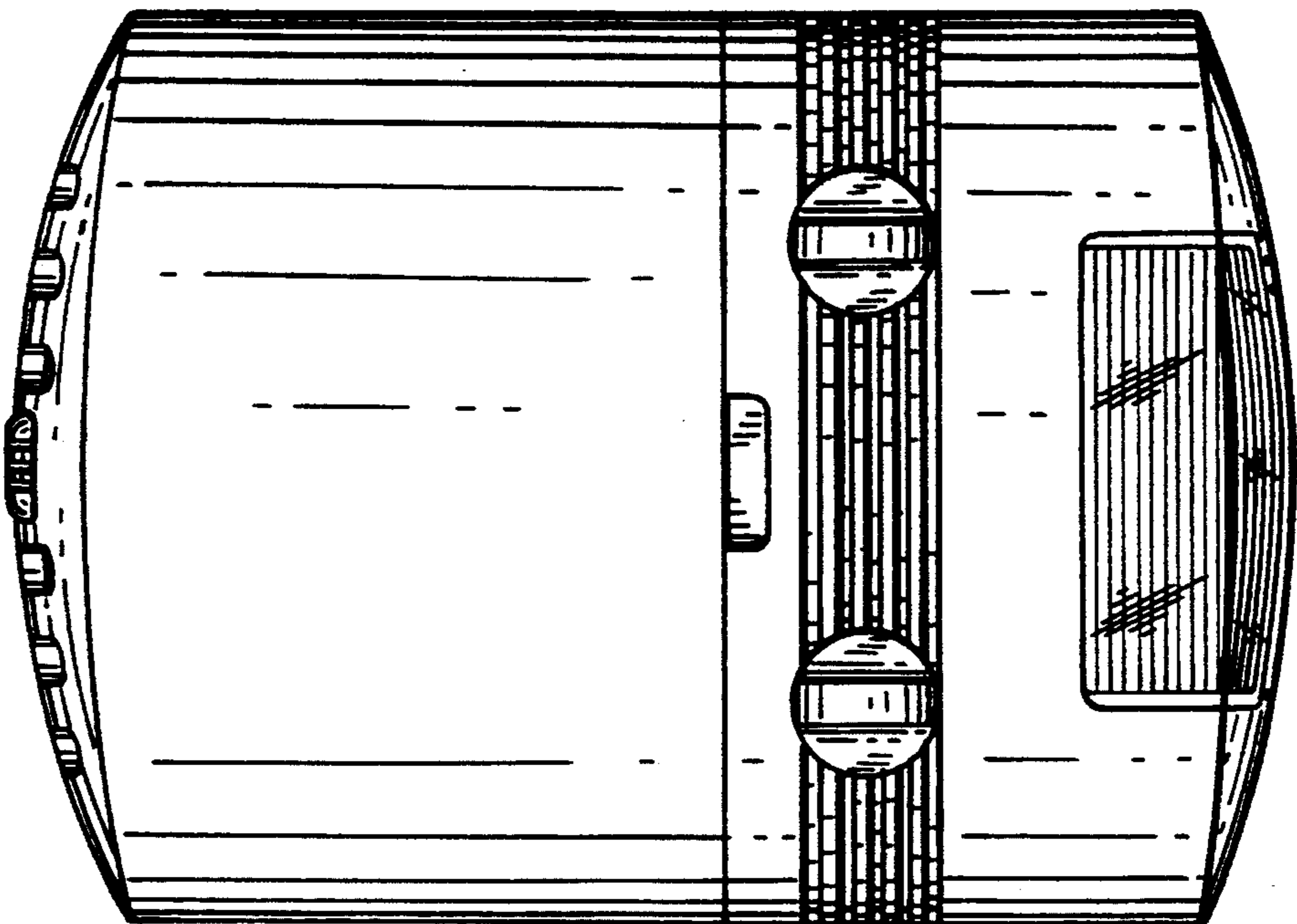


FIG. 5

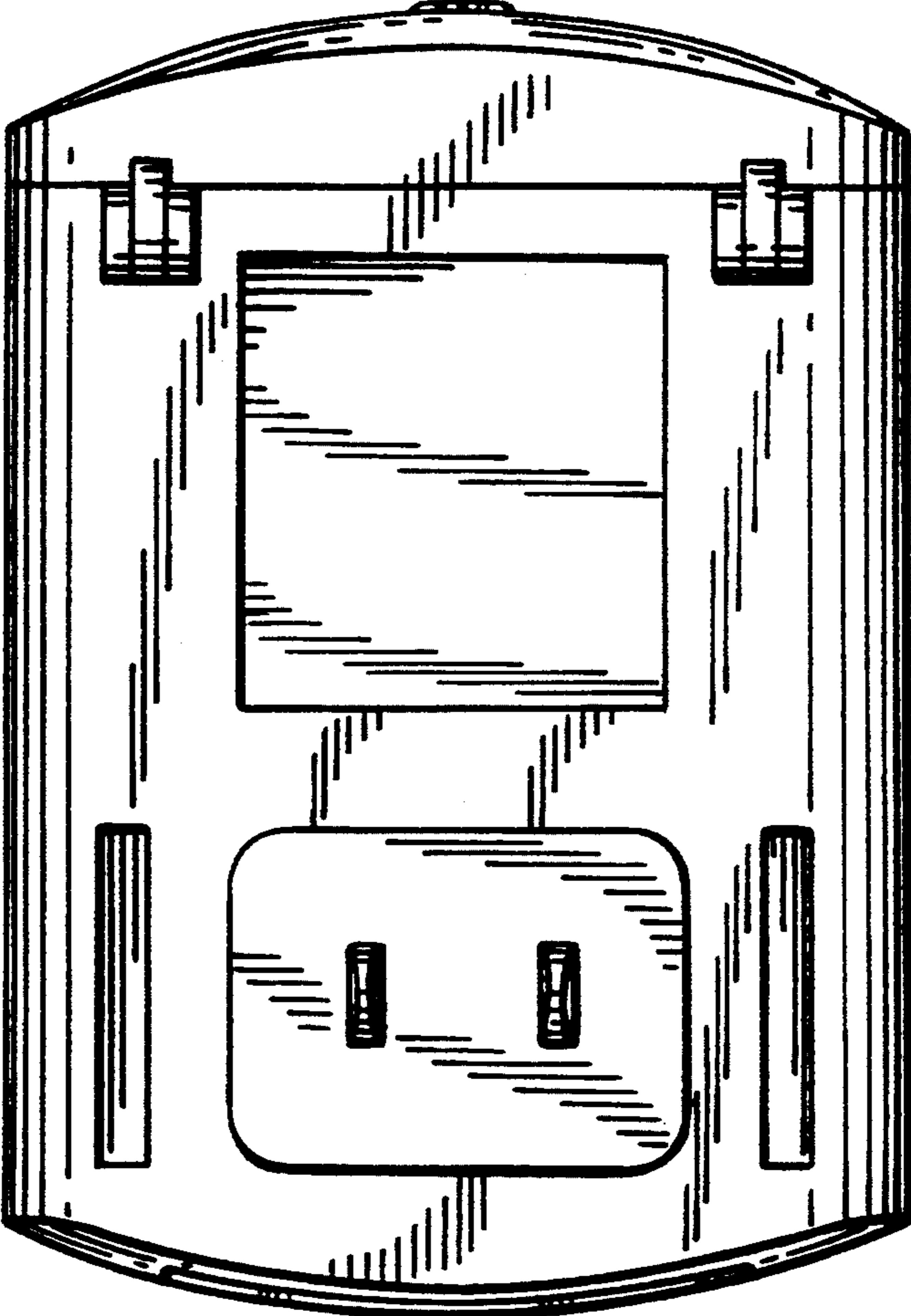
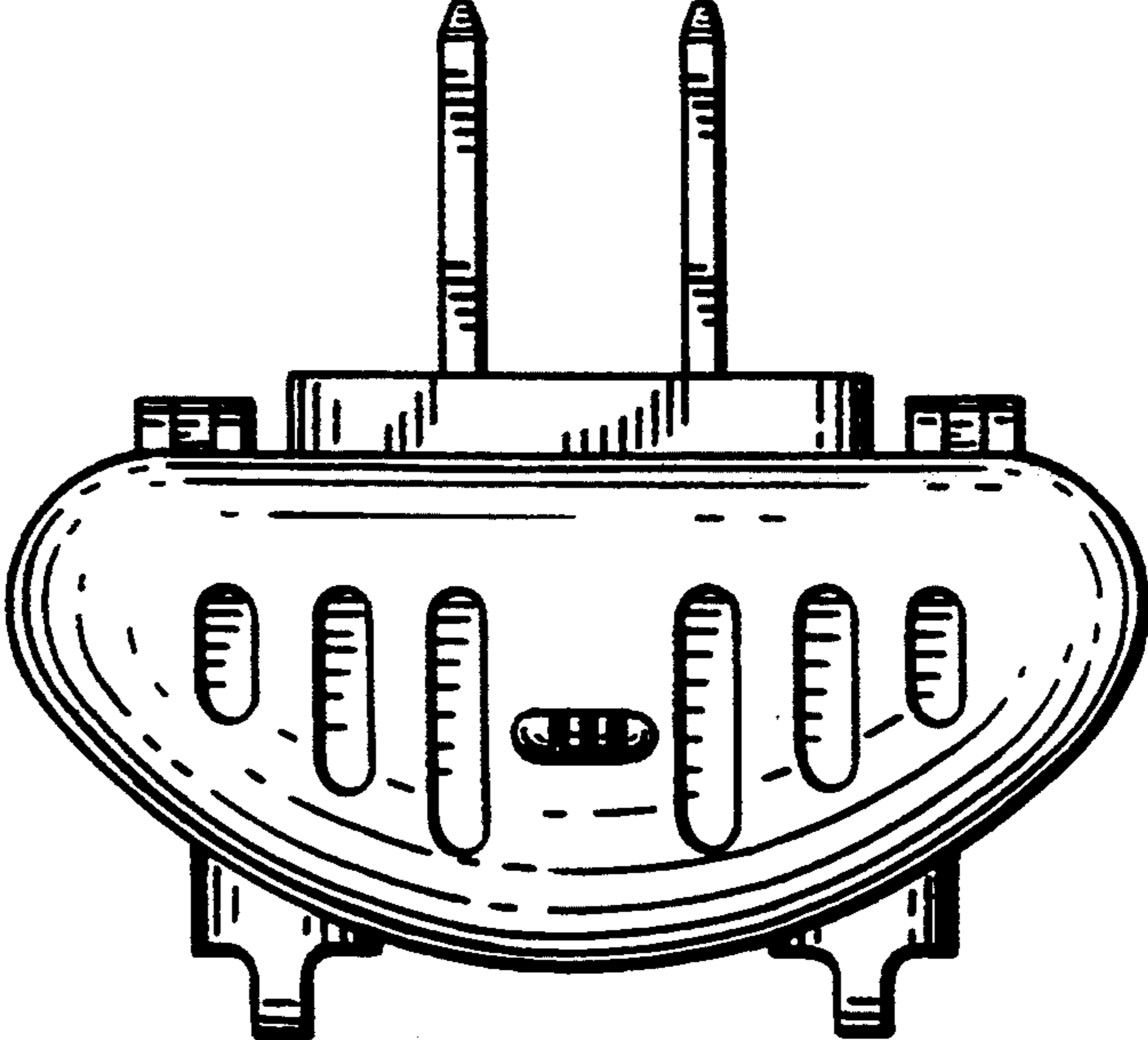


FIG. 6



UNITED STATES PATENT AND TRADEMARK OFFICE
CERTIFICATE OF CORRECTION

PATENT NO. : Des. 357,330
DATED : April 11, 1995
INVENTOR(S) : Wing F.W. Wong, John Mak, Wilson Chan

It is certified that error appears in the above-identified patent and that said Letters Patent is hereby corrected as shown below:

On the Cover Page, [73] Assignees:, change "Rockitt & Colman Inc." to —Reckitt & Colman Inc.—

Signed and Sealed this
Fourth Day of July, 1995



Attest:

BRUCE LEHMAN

Attesting Officer

Commissioner of Patents and Trademarks