



US00D357329S

# United States Patent [19]

[11] Patent Number: **Des. 357,329**

**Iacovelli**

[45] Date of Patent: **\*\* Apr. 11, 1995**

[54] **VEHICLE ACCESSORY LIGHT**

[75] Inventor: **Marc Iacovelli**, Miami, Fla.

[73] Assignee: **Rally Accessories, Inc.**, Miami, Fla.

[\*\*] Term: **14 Years**

[21] Appl. No.: **24,613**

[22] Filed: **Jun. 17, 1994**

[52] U.S. Cl. .... **D26/28**

[58] Field of Search ..... **D26/28-30;**  
362/61, 80, 81, 82, 83, 309, 326, 329-340, 418,  
419, 427

[56] **References Cited**

**U.S. PATENT DOCUMENTS**

D. 289,086	3/1987	Yabata	.....	D26/29
D. 304,380	10/1989	Bailly	.....	D26/29
D. 304,861	11/1989	Schmidt	.....	D26/29
D. 310,423	9/1990	Iacovelli	.....	D26/29

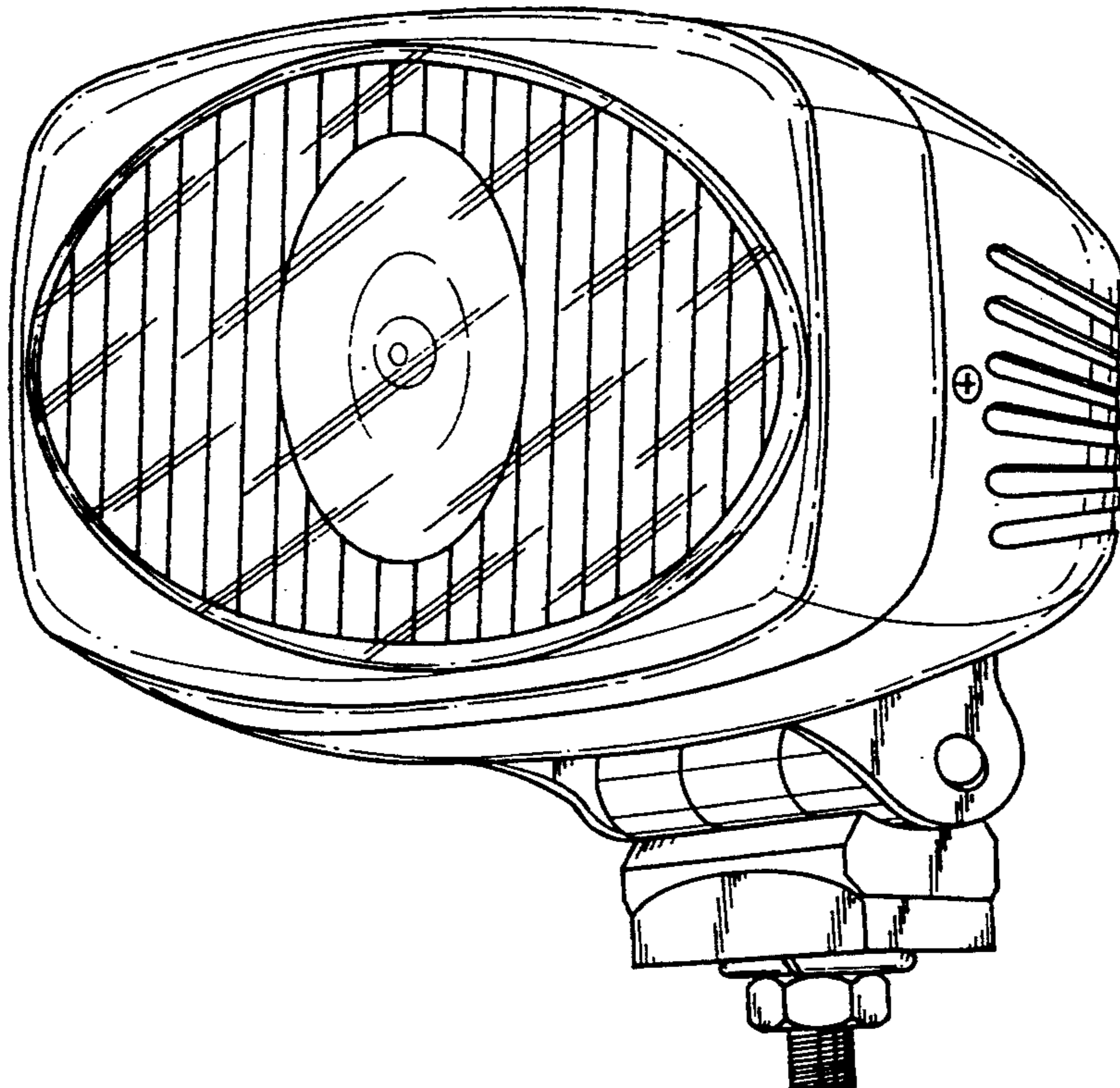
*Primary Examiner*—James M. Gandy  
*Assistant Examiner*—Marcus Jackson  
*Attorney, Agent, or Firm*—Longacre & White

[57] **CLAIM**

The ornamental design for a vehicle accessory light, as shown and described.

**DESCRIPTION**

FIG. 1 is a front and right-side view of a vehicle accessory light showing my new design;  
FIG. 2 is a front elevational view of the vehicle accessory light shown in FIG. 1;  
FIG. 3 is a back elevational view of the vehicle accessory light shown in FIG. 1;  
FIG. 4 is a right-side elevational view of the vehicle accessory light shown in FIG. 1;  
FIG. 5 is a top plan view of the vehicle accessory light shown in FIG. 1; and,  
FIG. 6 is a bottom view of the vehicle accessory light shown in FIG. 1.



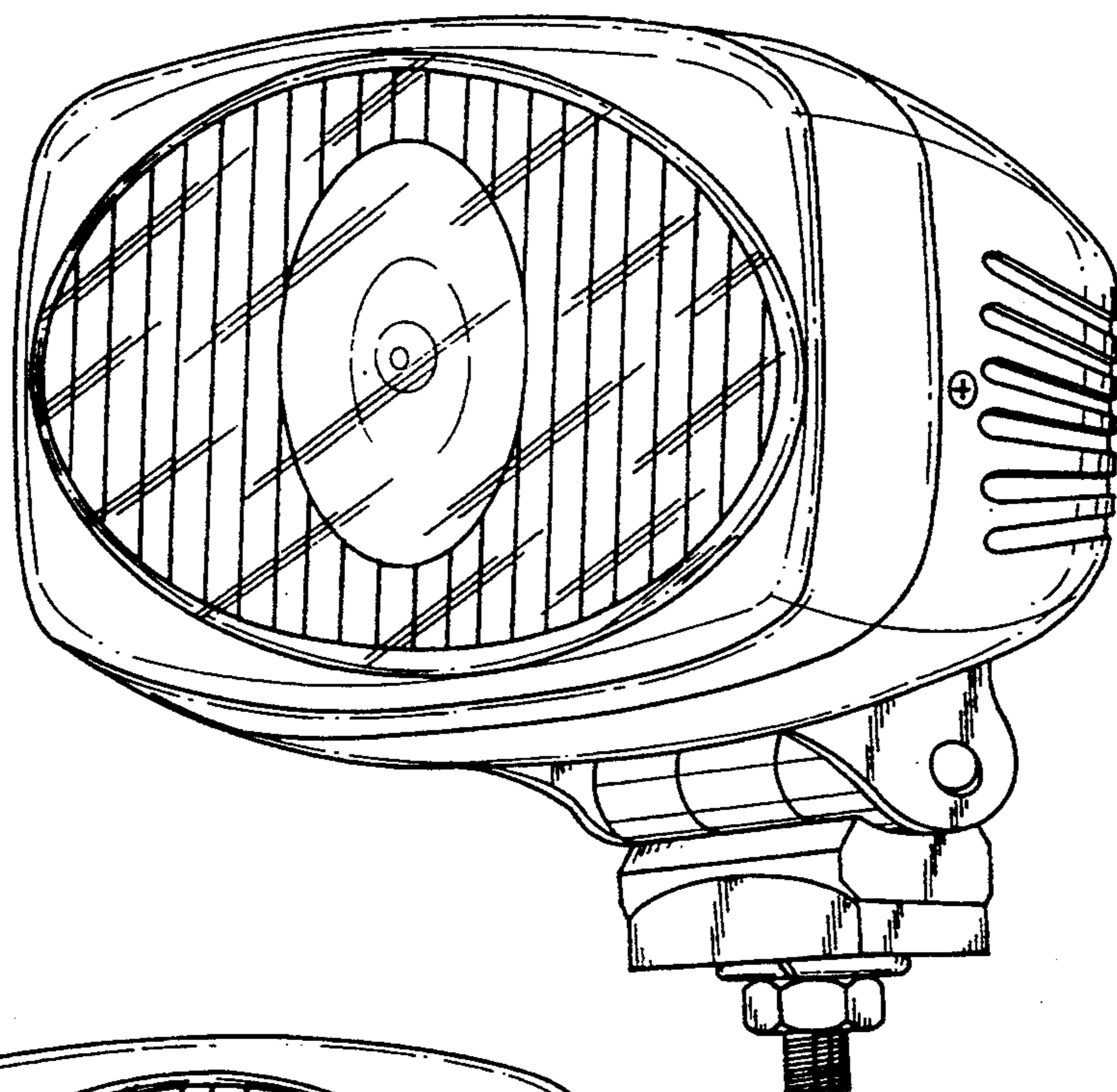


FIG. 1

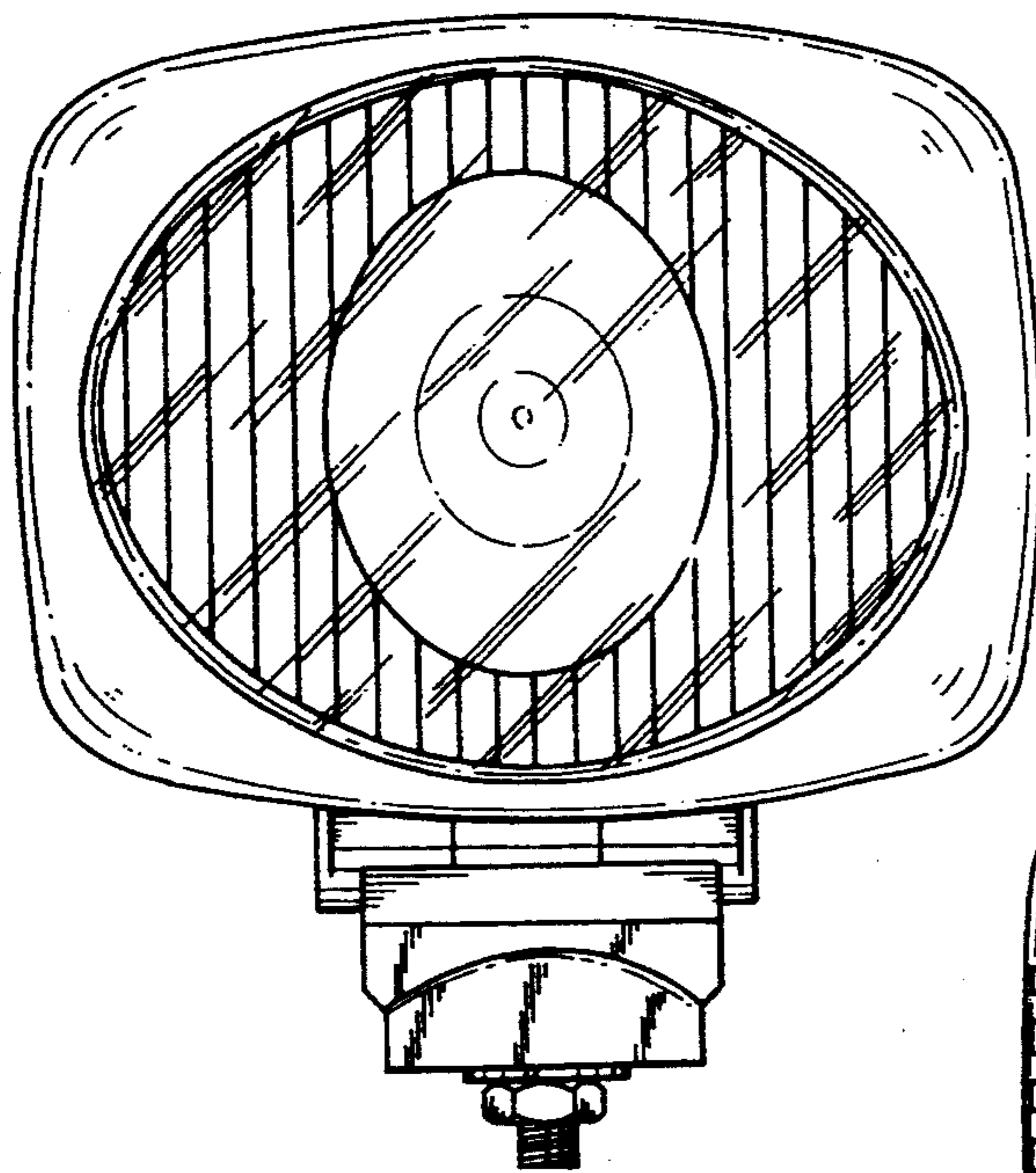


FIG. 2

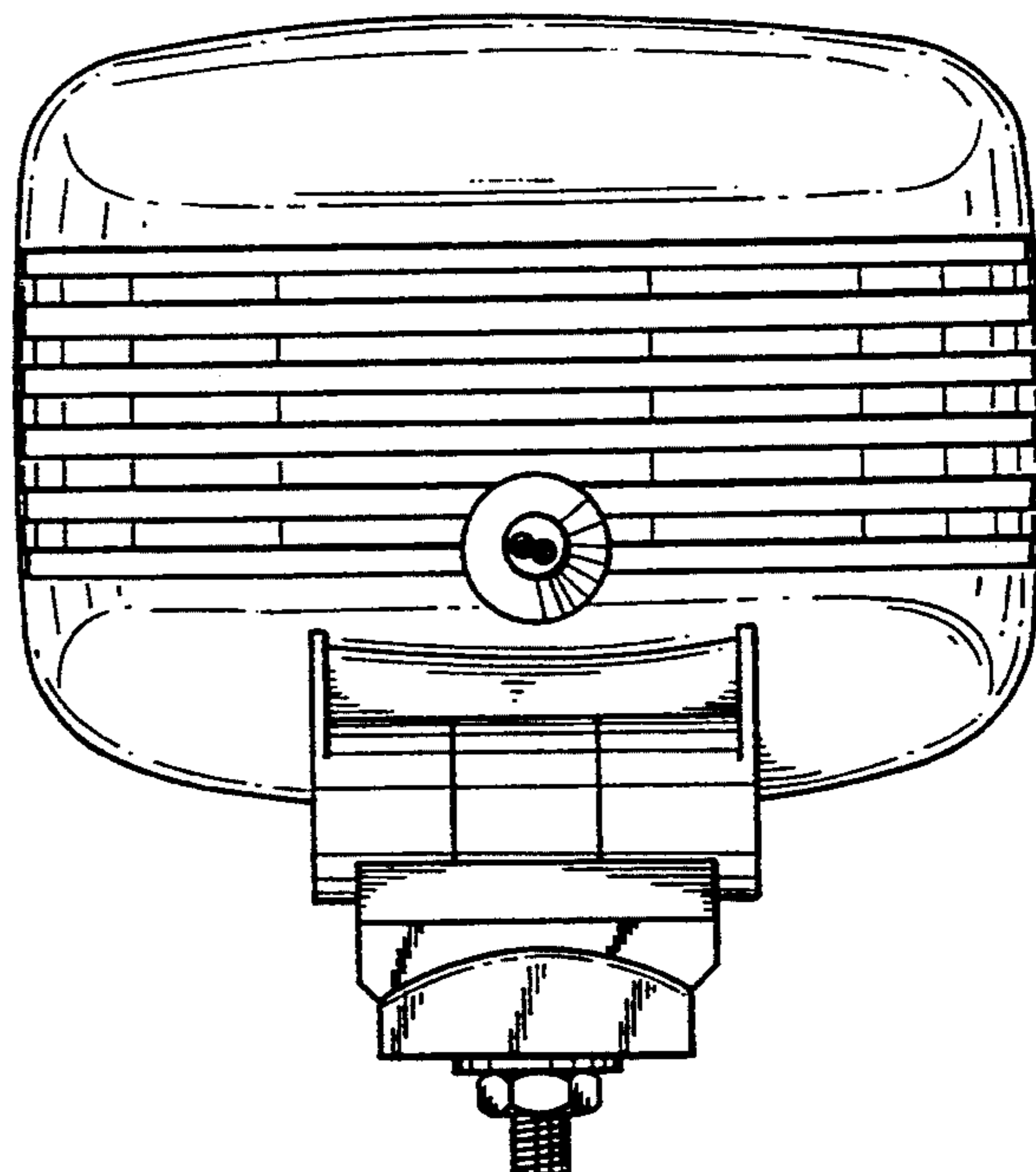


FIG. 3

FIG. 4

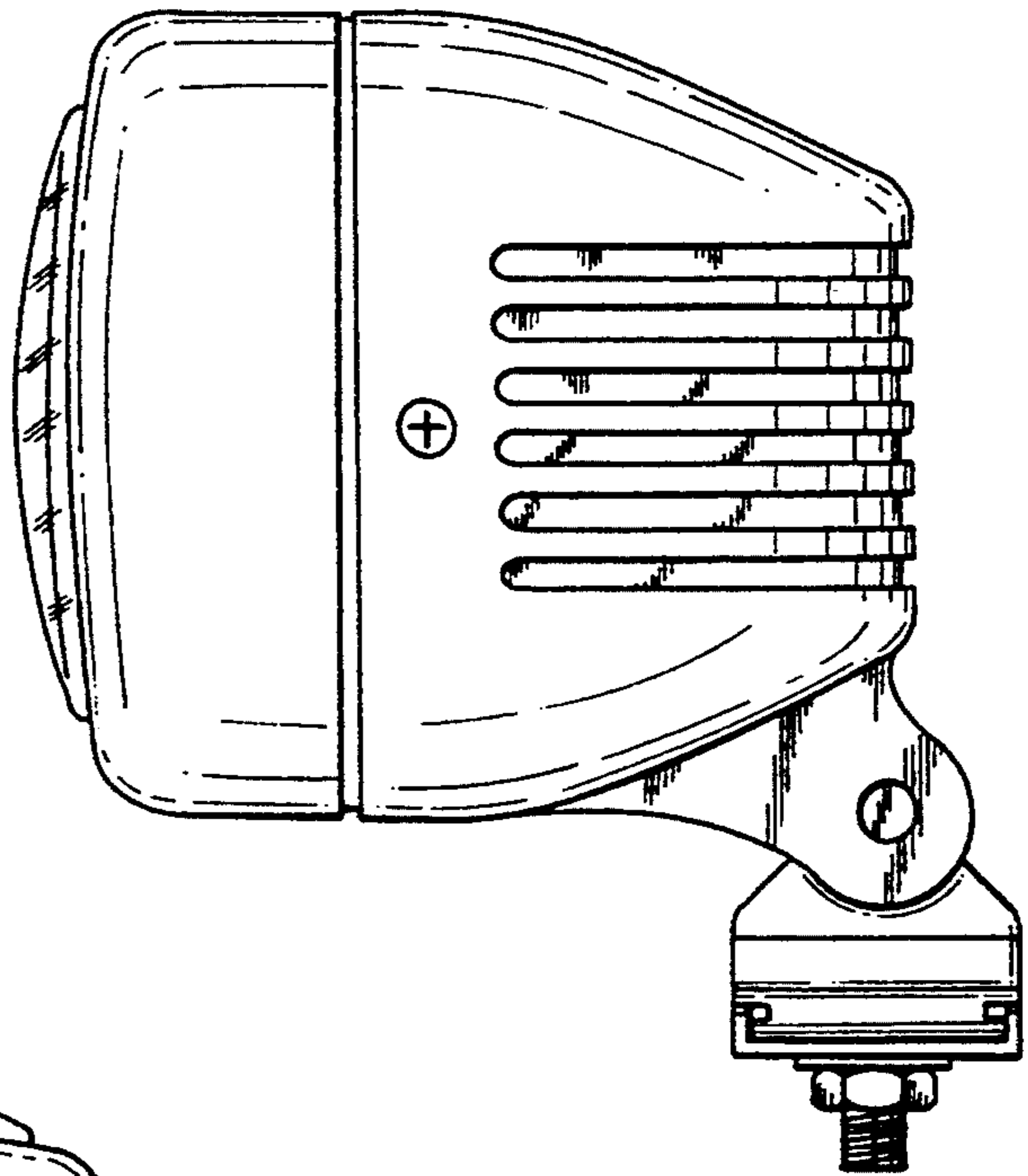


FIG. 5

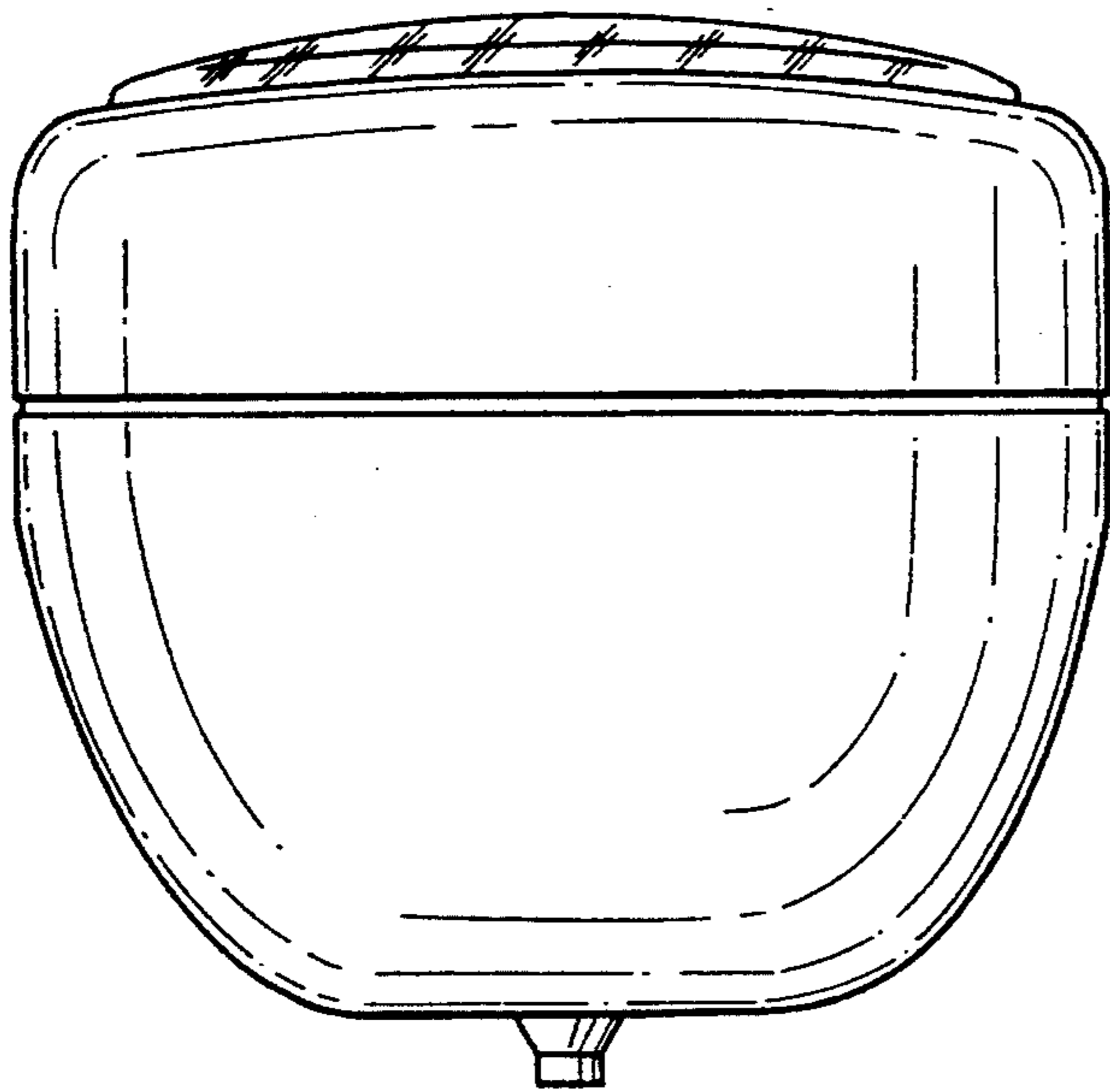


FIG. 6

