



US00D357325S

# United States Patent [19]

**Kennett**

[11] **Patent Number: Des. 357,325**

[45] **Date of Patent: \*\* Apr. 11, 1995**

[54] **STABILIZING ATTACHMENT FOR LADDERS**

[76] **Inventor: Douglas A. Kennett, 255 Willow St., Woonsocket, R.I. 02895**

[\*] **Notice: The portion of the term of this patent subsequent to Jul. 19, 2008 has been disclaimed.**

[\*\*] **Term: 14 Years**

[21] **Appl. No.: 3,754**

[22] **Filed: Jan. 6, 1993**

[52] **U.S. Cl. .... D25/68**

[58] **Field of Search ..... D25/62, 68; 182/108, 182/107, 111, 172; D8/370, 354, 38, 373; 248/302-303**

[56] **References Cited**

**U.S. PATENT DOCUMENTS**

D. 316,608	4/1991	Wagner	.....	D25/68
1,467,597	9/1923	Wendel	.....	182/107
2,744,674	5/1956	Smith	.....	182/108

**FOREIGN PATENT DOCUMENTS**

2485080	12/1981	France	.....	182/108
---------	---------	--------	-------	---------

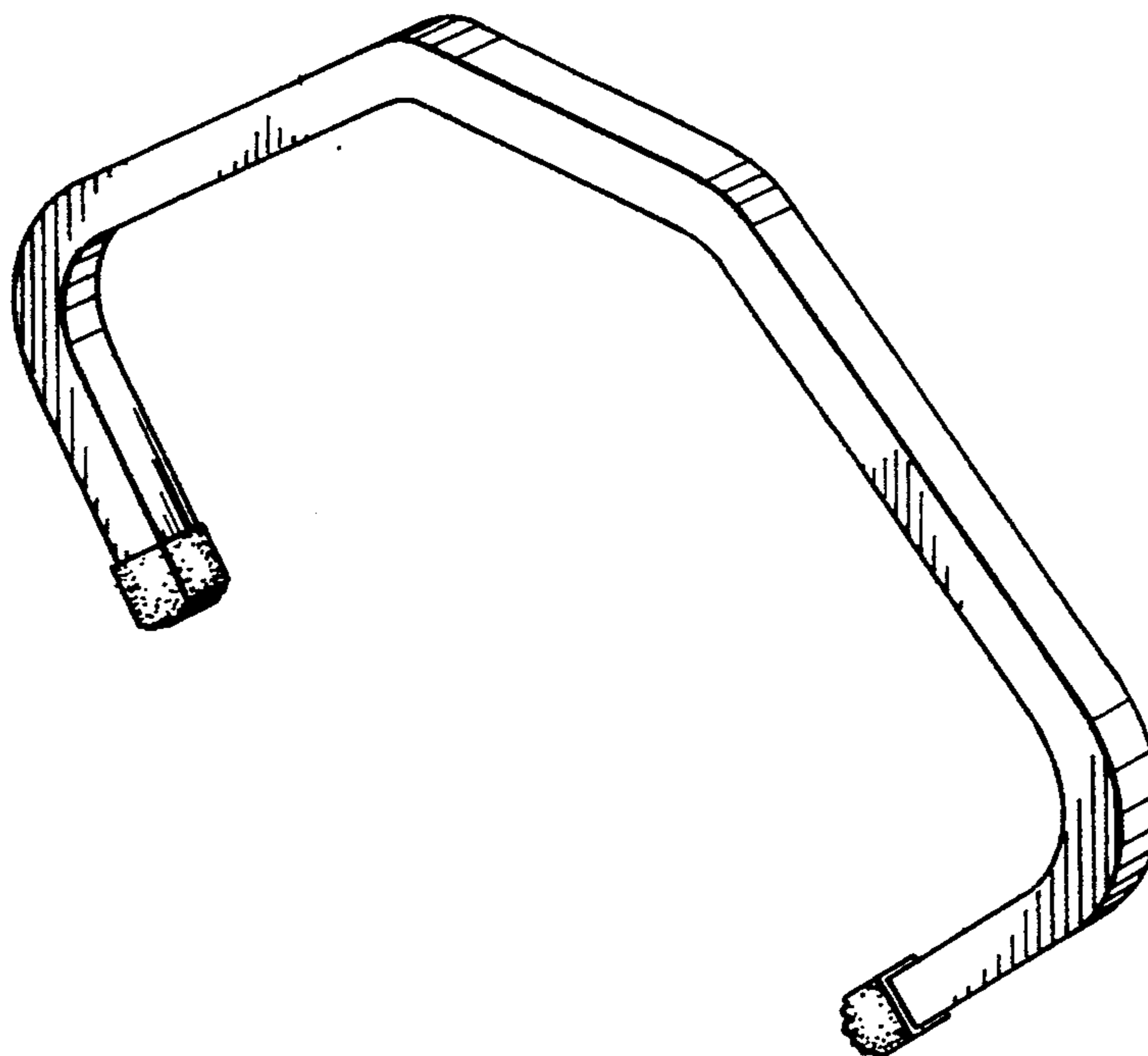
*Primary Examiner*—Doris Clark  
*Attorney, Agent, or Firm*—Robert J. Doherty

[57] **CLAIM**

The ornamental design for a stabilizing attachment for ladders, as shown and described.

**DESCRIPTION**

FIG. 1 is a front perspective view showing my new design for a stabilizing attachment for ladders; FIG. 2 is a right side elevational view of the stabilizing attachment for ladders shown in FIG. 1, the left side elevational view being the substantial mirror image thereof; FIG. 3 is front elevational view of the stabilizing attachment for ladders shown in FIG. 1, the rear elevational view being the substantial mirror image thereof; FIG. 4 is a top plan view of the stabilizing attachment for ladders shown in FIG. 1; FIG. 5 is a bottom plan view of the stabilizing attachment for ladders shown in FIG. 1; FIG. 6 is a front perspective view of an alternate form of a stabilizing attachment for ladders from that shown in FIG. 1; FIG. 7 is a right side elevational view of the stabilizing attachment for ladders shown in FIG. 6, the left side elevational view being the substantial mirror image thereof; FIG. 8 is a front elevational view of the stabilizing attachment for ladders shown in FIG. 6, the rear elevational view being the substantial mirror image thereof; FIG. 9 is a top plan view of the stabilizing attachment for ladders shown in FIG. 6; and, FIG. 10 is a bottom plan view of the stabilizing attachment for ladders shown in FIG. 6.



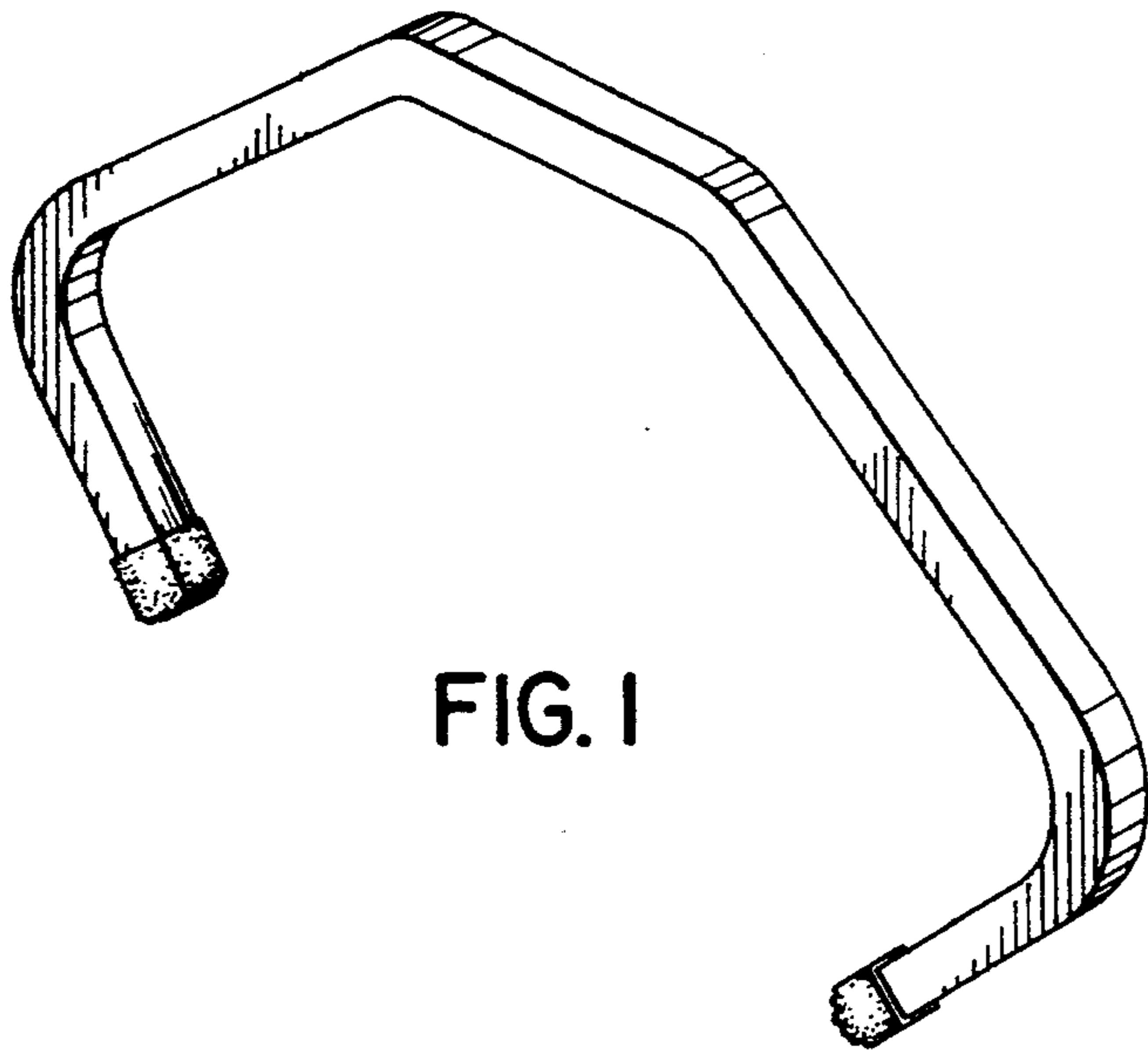


FIG. 1



FIG. 2

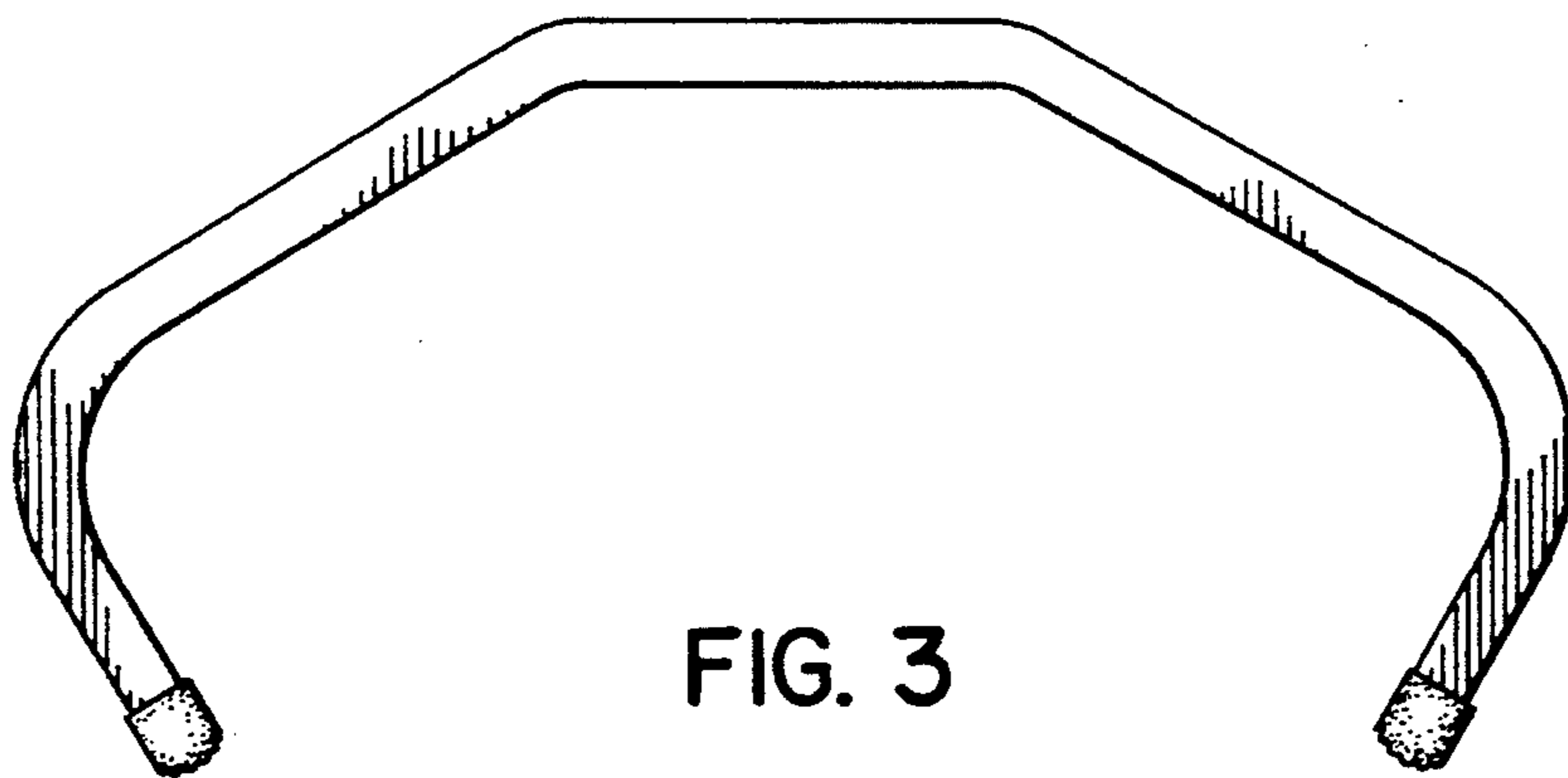


FIG. 3



FIG. 4



FIG. 5

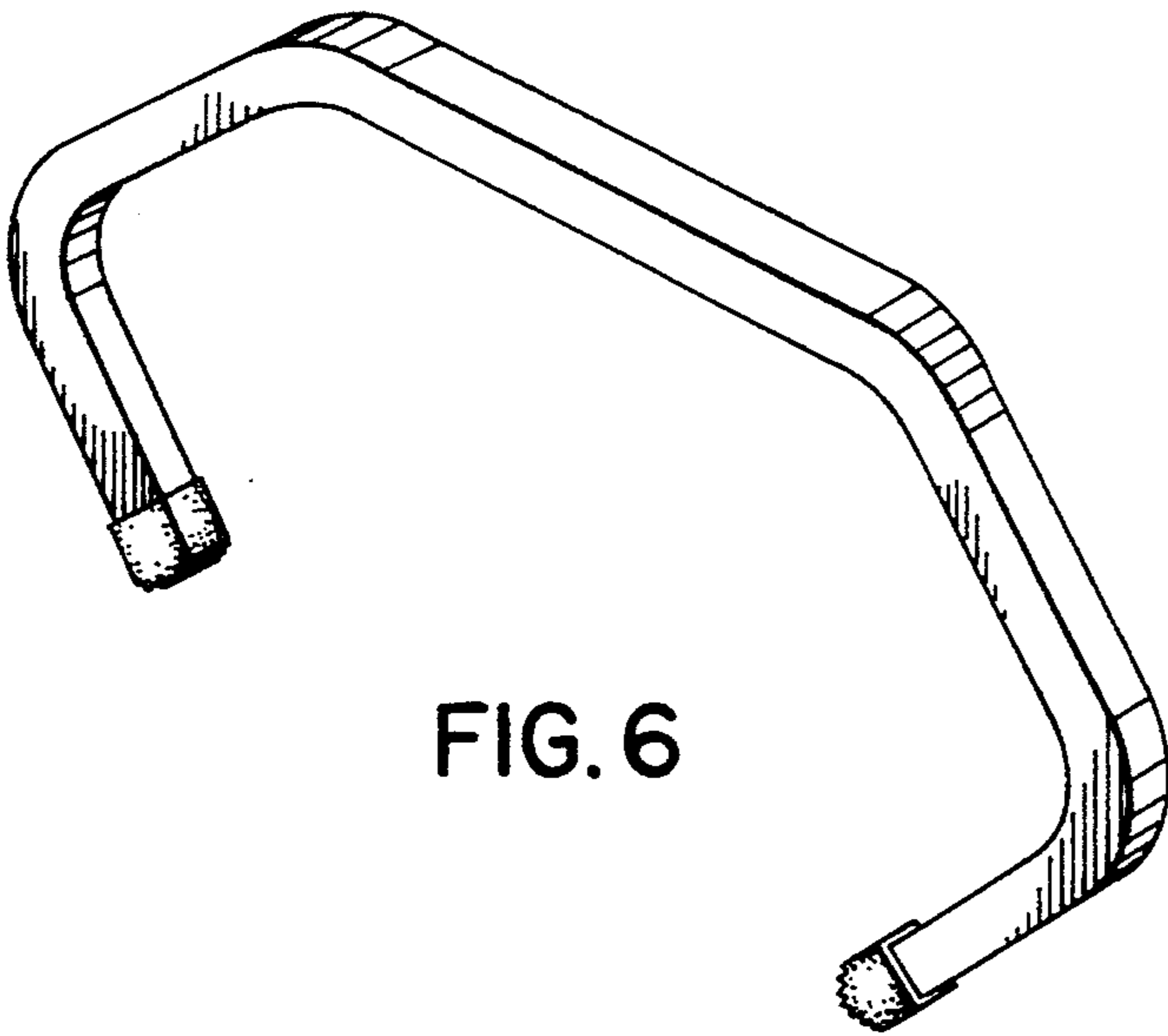


FIG. 6



FIG. 7

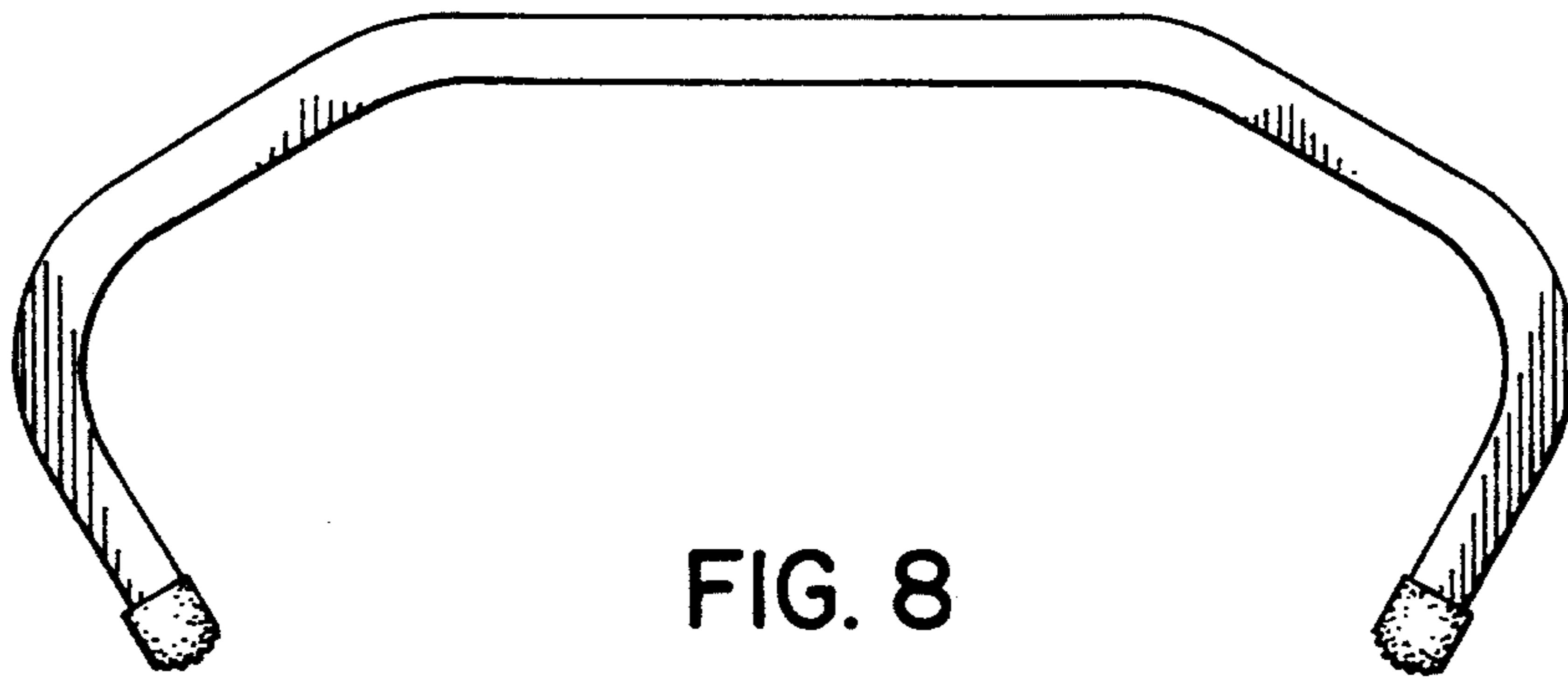


FIG. 8



FIG. 9



FIG. 10