



US00D357321S

United States Patent [19]

[11] Patent Number: **Des. 357,321**

Yarovesky et al.

[45] Date of Patent: **** Apr. 11, 1995**

[54] **POSTERIOR TOOTH HOLDER FOR DENTAL STAIN CHARACTERIZATION GUIDE**

D. 212,360	10/1968	Greene	D24/181
D. 246,534	11/1977	Buckley	D24/177
1,813,650	7/1931	Whitlock	433/138
3,992,781	11/1976	Sturdivant	433/138

[75] Inventors: **Uriel Yarovesky**, Woodland Hills; **Daniel Materdomini**, Topanga Canyon, both of Calif.

Primary Examiner—Kay H. Chin
Attorney, Agent, or Firm—Kelly, Bauersfeld & Lowry

[73] Assignee: **Dental Illusions**, Woodland Hills, Calif.

[57] **CLAIM**

[**] Term: **14 Years**

The ornamental design for a posterior tooth holder for dental stain characterization guide, as shown.

[21] Appl. No.: **22,420**

DESCRIPTION

[22] Filed: **May 4, 1994**

FIG. 1 is a perspective view of a posterior tooth holder for dental stain characterization guide embodying our new design, wherein an exemplary posterior tooth is shown in phantom;

[52] U.S. Cl. **D24/181**

[58] Field of Search D24/176-182, D24/221; 433/138

FIG. 2 is a front elevational view thereof, the rear elevational view being a mirror image;

FIG. 3 is a bottom plan view thereof;

FIG. 4 is a top plan view thereof;

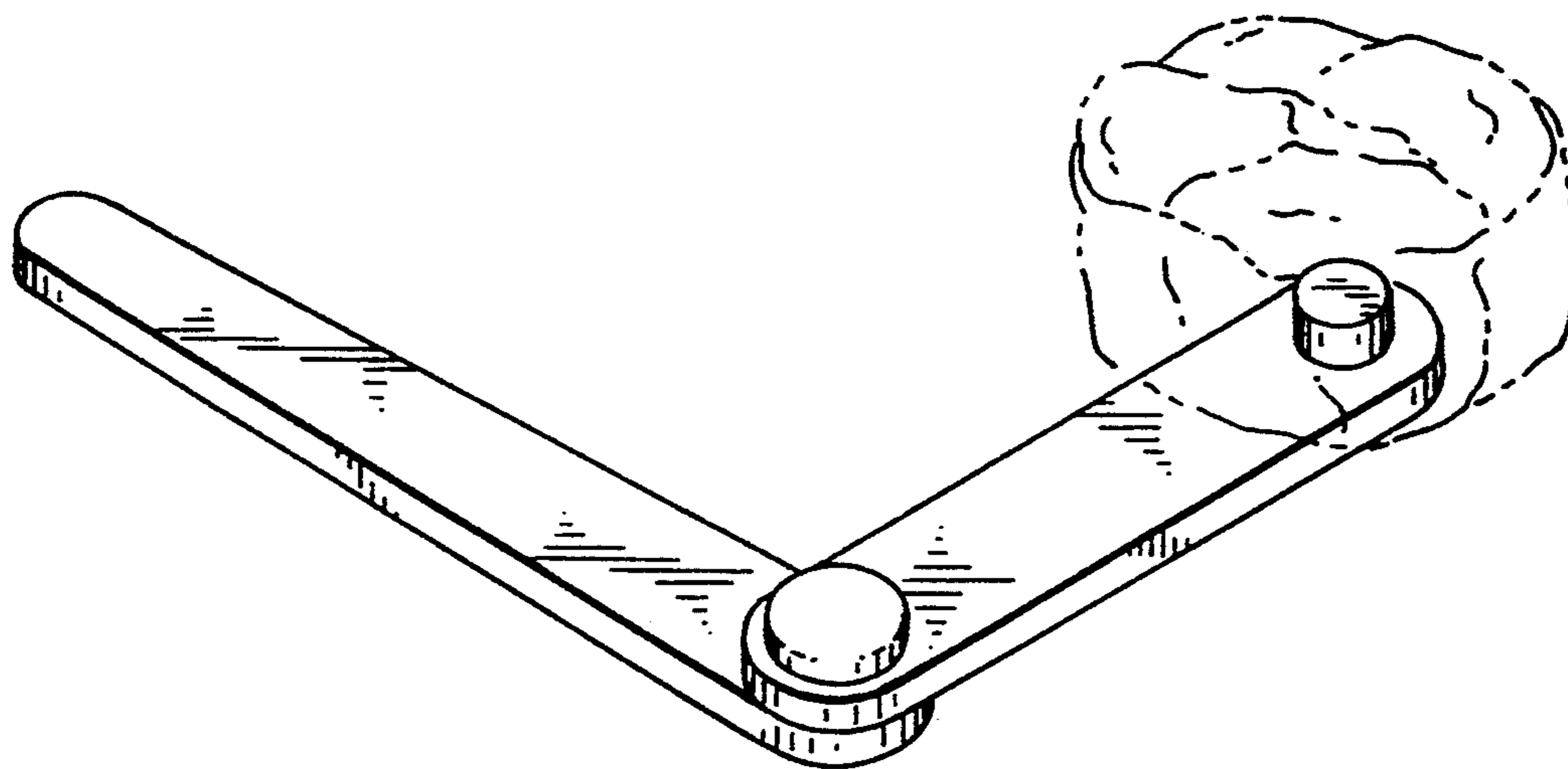
FIG. 5 is a left side elevational view thereof; and,

FIG. 6 is a right side elevational view thereof.

[56] **References Cited**

U.S. PATENT DOCUMENTS

Re. 23,798 3/1954 Pohland 433/138



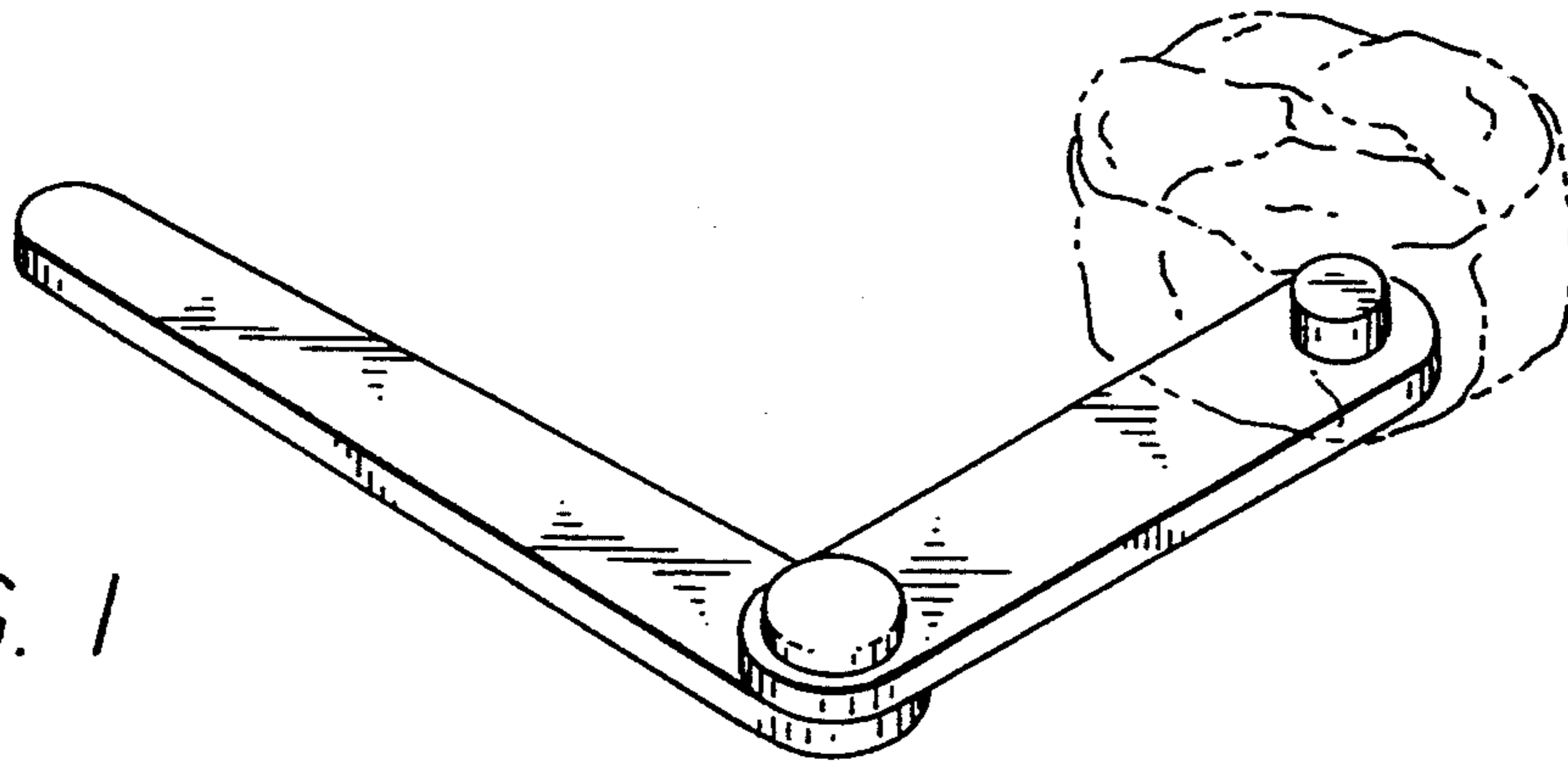


FIG. 1

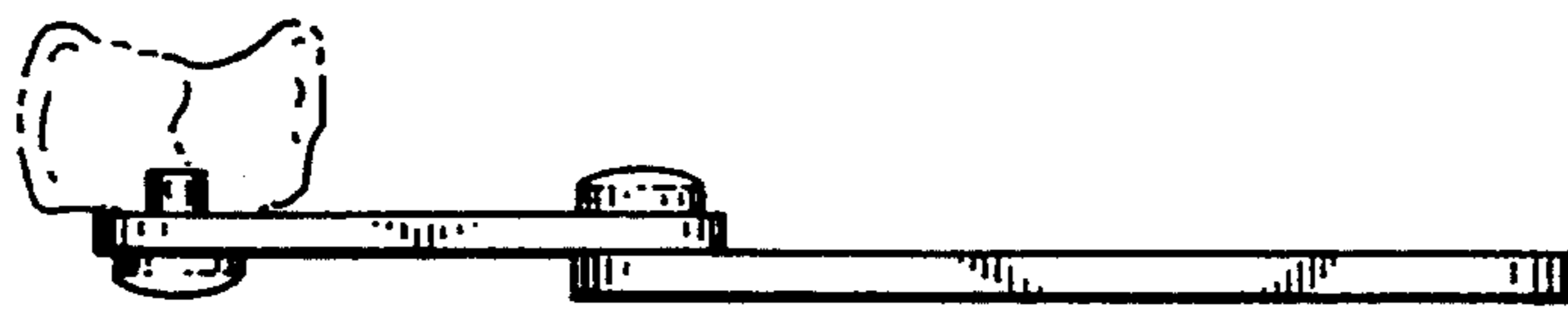


FIG. 2



FIG. 3



FIG. 4



FIG. 5



FIG. 6