



US00D357317S

United States Patent [19]

[11] Patent Number: **Des. 357,317**

Capps

[45] Date of Patent: **** Apr. 11, 1995**

[54] EQUINE DENTAL FLOAT

[57] CLAIM

[76] Inventor: **R. Scott Capps**, 3145 S. Coddington, Lincoln, Nebr. 68522

The ornamental design for an equine dental float, as shown and described.

[**] Term: **14 Years**

DESCRIPTION

[21] Appl. No.: **12,756**

FIG. 1 is a top perspective view of an equine dental float showing my new design, the broken line drawing of a handle is for illustrative purposes only and forms no part of the claimed design, the handle rod is shown broken away to indicate an indeterminate length;

[22] Filed: **Sep. 8, 1993**

FIG. 2 is top plan view thereof;

[52] U.S. Cl. **D24/152**

FIG. 3 is an end elevational view taken from the left end of FIG. 2;

[58] Field of Search **D24/176-182, D24/156, 133; 433/1; D8/90, 47; D32/46, 49, 35, 40; D4/136**

FIG. 4 is a front elevational view taken from the front of FIG. 2, the rear elevational view is a mirror image;

FIG. 5 is an end elevational view taken from the right end of FIG. 2;

[56] **References Cited**

U.S. PATENT DOCUMENTS

30,996	6/1899	Pegg	D8/90
D. 214,238	5/1969	Bender	D24/152 X
D. 348,598	7/1994	Friel, Jr. et al.	D8/90
769,340	9/1904	Fleming	433/1
927,249	7/1909	Kiefer	433/1
1,032,897	7/1912	Hamilton	D24/147 X
1,066,340	7/1913	Thomas	D8/90
1,081,495	12/1913	Dunn	433/1
1,347,933	7/1920	Brix	433/1

FIG. 6 is a bottom plan view thereof;

FIG. 7 is a perspective view of a second embodiment thereof, the broken line drawing of a handle is for illustrative purposes only and forms no part of the claimed design, the handle rod is shown broken away to indicate an indeterminate length;

FIG. 8 is a top plan view of the embodiment of FIG. 7; FIG. 9 is a left end view taken from the left end of FIG. 8;

FIG. 10 is a front elevational view taken from the front of FIG. 2, the rear elevational view is a mirror image; FIG. 11 is a right end view taken from the right end of FIG. 8; and,

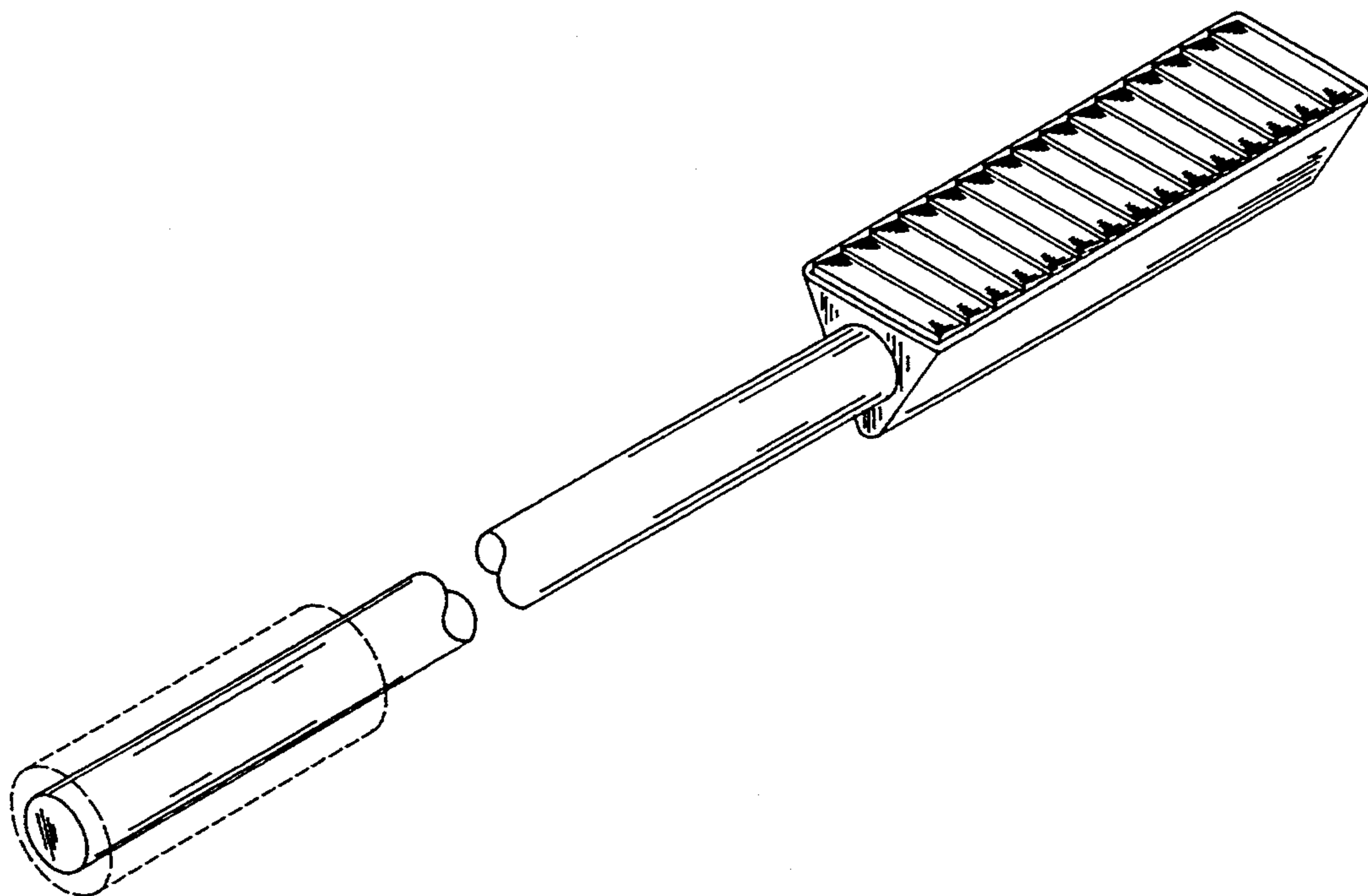
FIG. 12 is a bottom plan view taken from the bottom of FIG. 8.

Primary Examiner—James M. Gandy

Assistant Examiner—M. H. Tung

Attorney, Agent, or Firm—Zarley, McKee, Thomte, Voorhees & Sease; Mark D. Frederiksen

The handle is partially shown in FIGS. 2, 4, 6, 8, 10 and 12 for convenience of illustration.



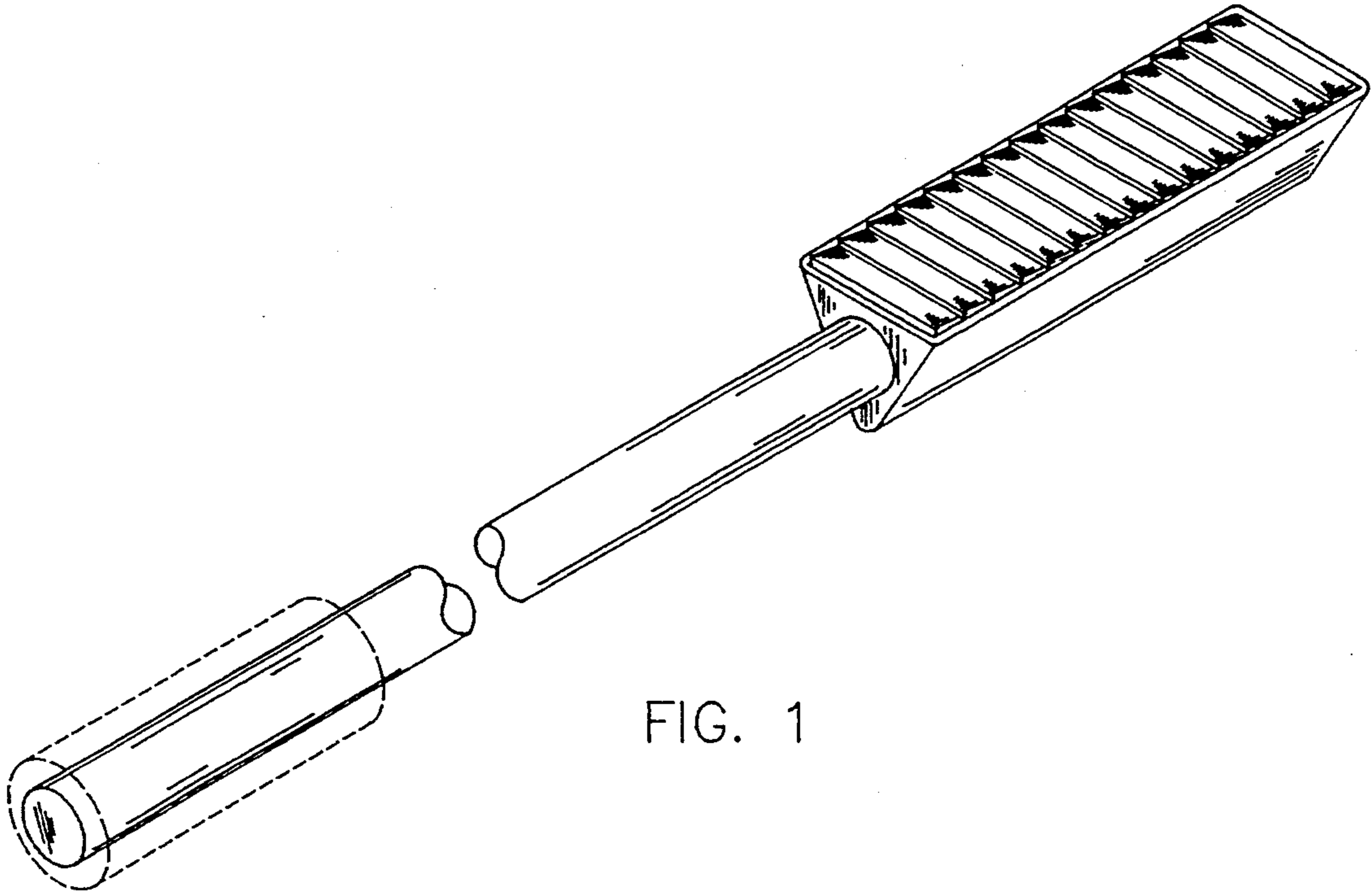


FIG. 1

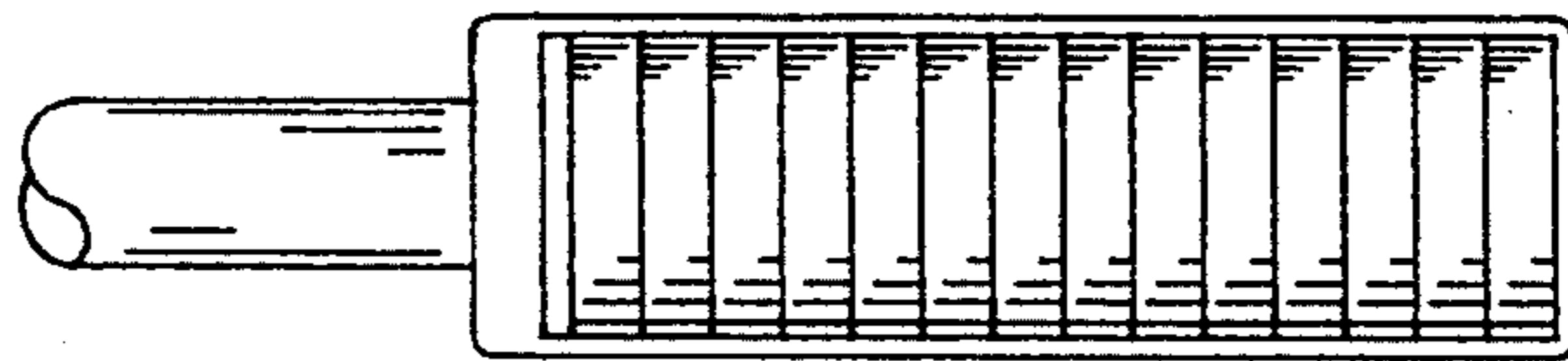


FIG. 2

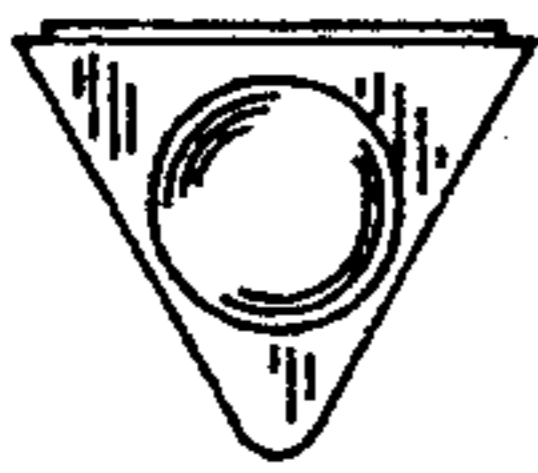


FIG. 3

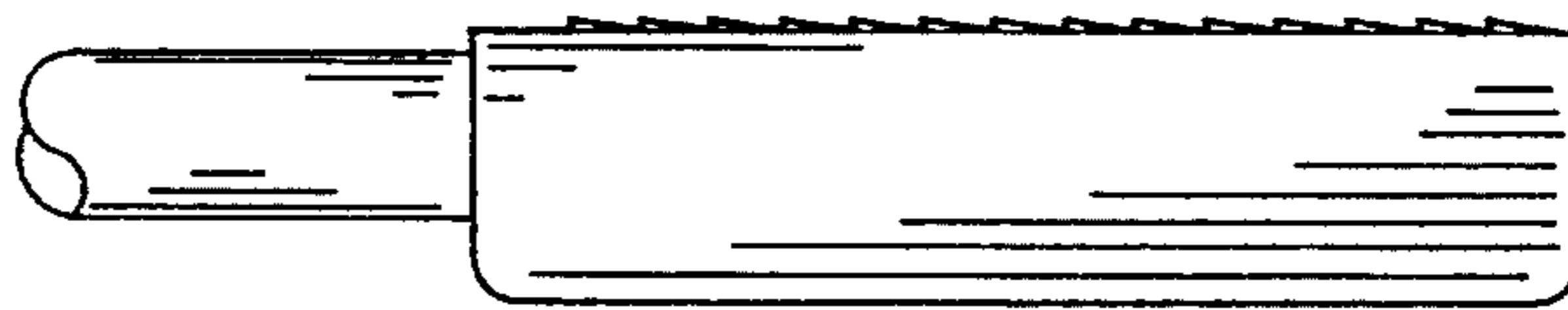


FIG. 4

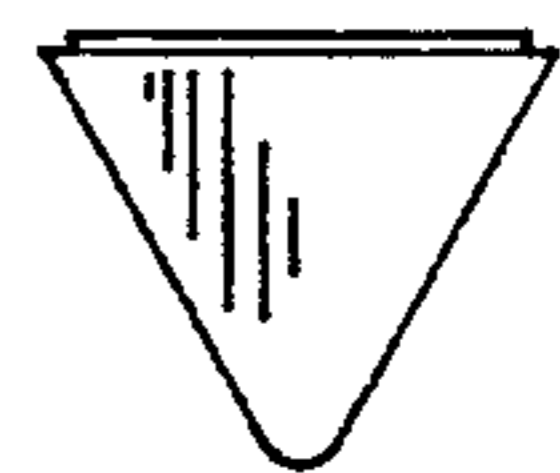


FIG. 5

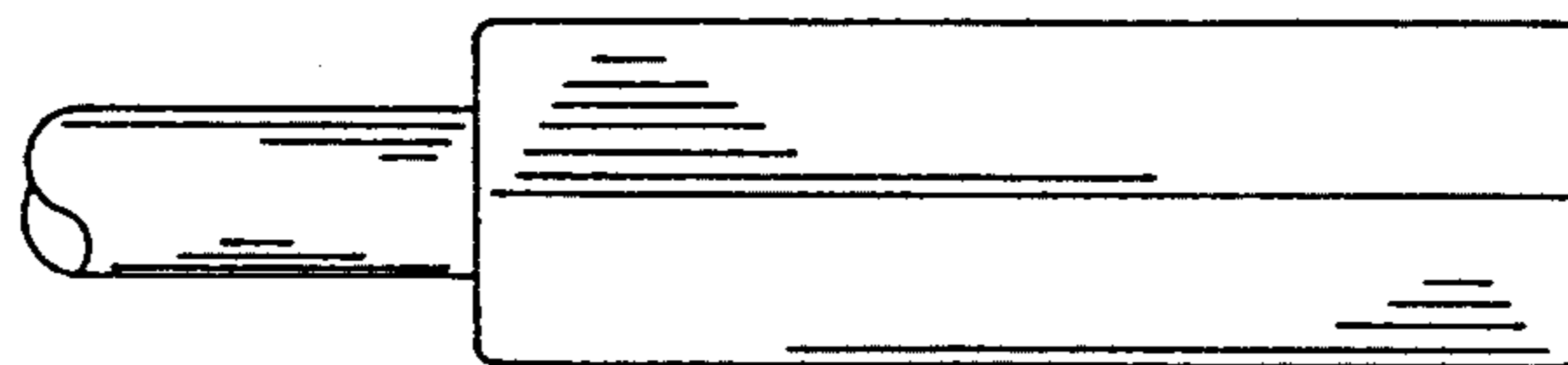


FIG. 6

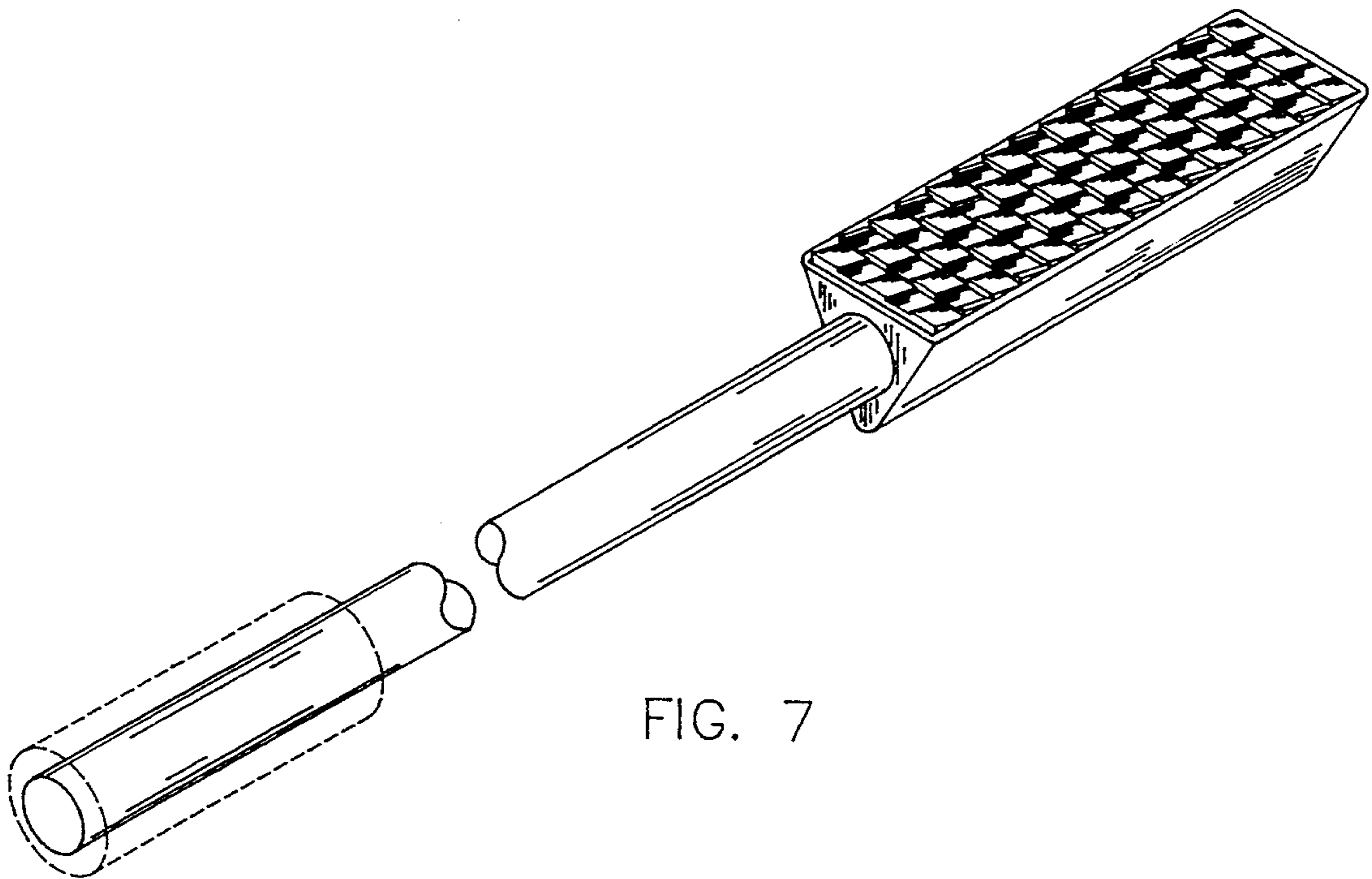


FIG. 7

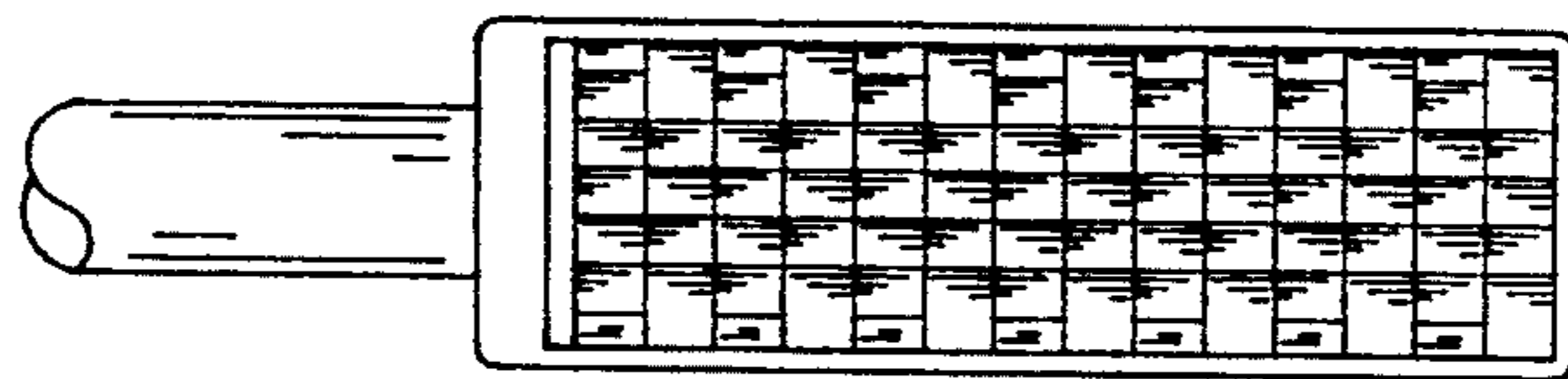


FIG. 8

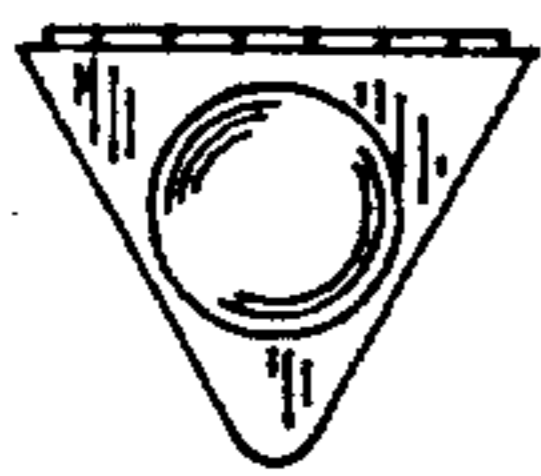


FIG. 9

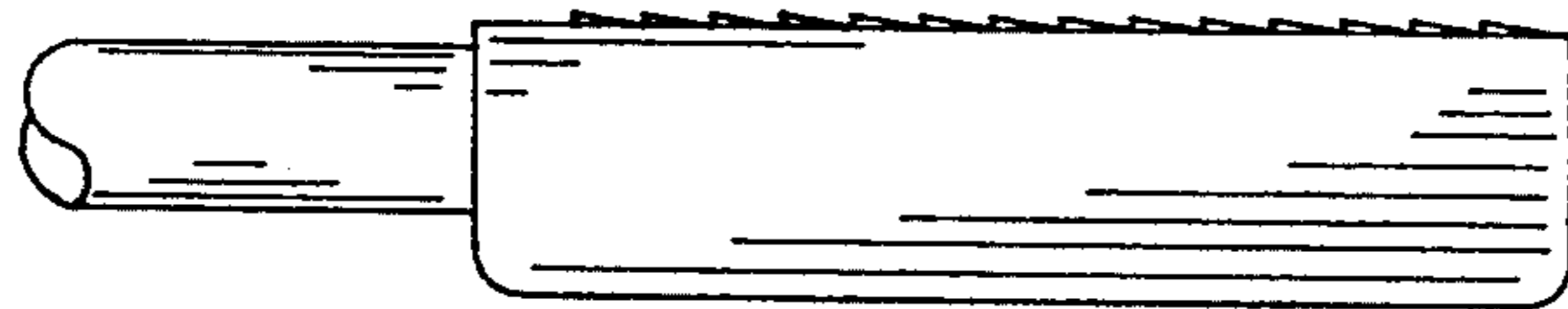


FIG. 10

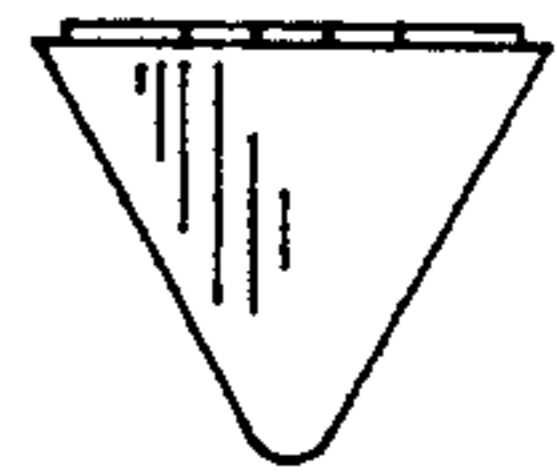


FIG. 11

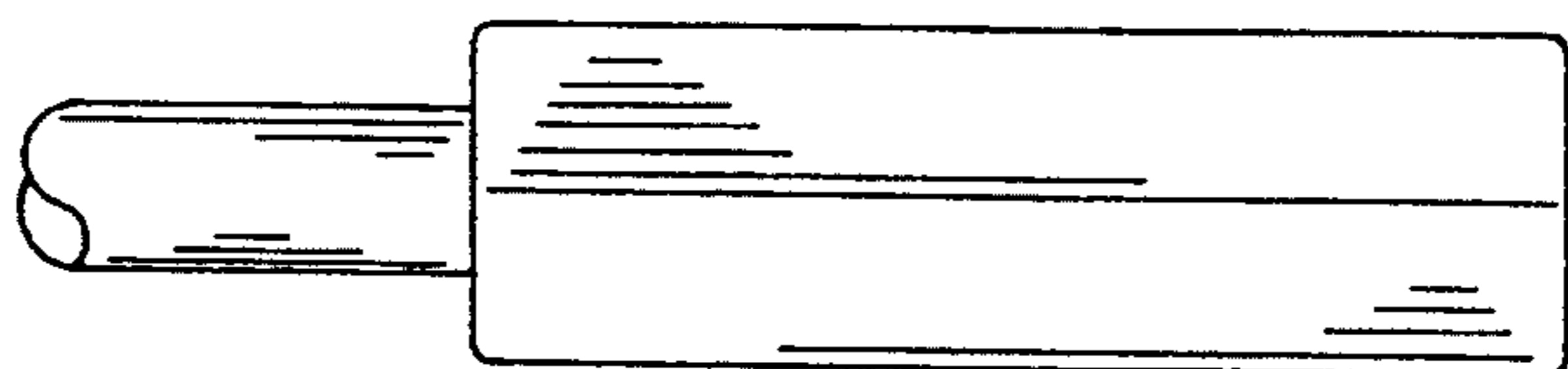


FIG. 12