



US00D357314S

# United States Patent [19]

[11] Patent Number: **Des. 357,314**

Atkins et al.

[45] Date of Patent: **\*\* Apr. 11, 1995**

[54] **RECEPTACLE FOR STORING USED MEDICAL NEEDLES**

5,090,564 2/1992 Chimienti ..... 206/365  
5,188,611 2/1993 Orgain ..... 604/263 X  
5,188,612 2/1993 Herrington, Jr. et al. .... 604/192

[75] Inventors: **Joseph R. Atkins, Dayton; Kathleen J. Scarbrough, Piqua, both of Ohio**

*Primary Examiner*—A. Hugo Word  
*Assistant Examiner*—I. Simmons  
*Attorney, Agent, or Firm*—Richard W. Lavin

[73] Assignee: **Hawk Tool and Mold Inc., Englewood, Ohio**

[57] **CLAIM**

[\*\*] Term: **14 Years**

The ornamental design for a receptacle for storing used medical needles, as shown and described.

[21] Appl. No.: **1,482**

**DESCRIPTION**

[22] Filed: **Nov. 16, 1992**

[52] U.S. Cl. .... **D24/131; D24/130**

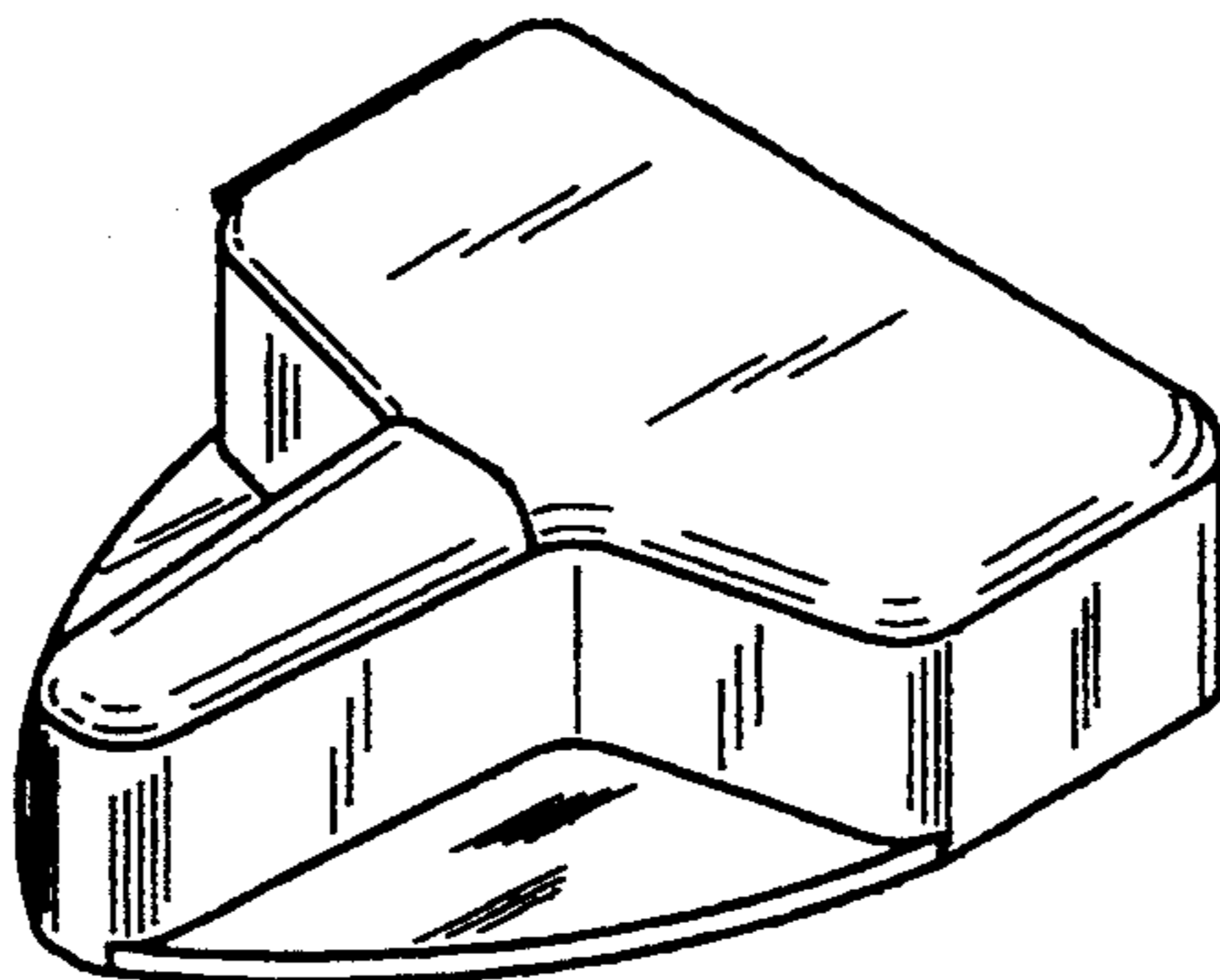
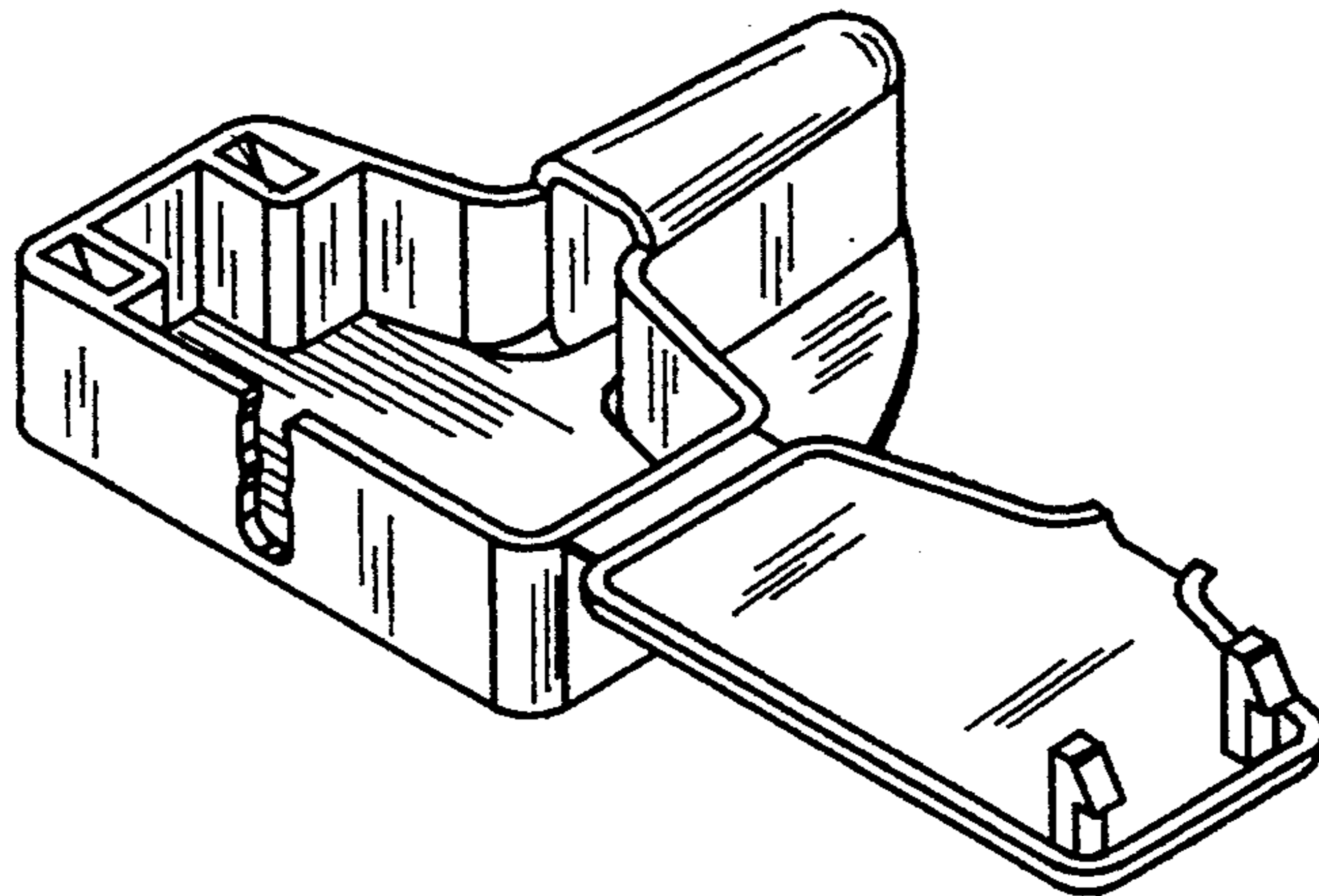
[58] Field of Search ..... **D24/130, 131; 206/365, 206/366, 364, 370; 220/4.23; 604/110, 192, 263; D3/203**

FIG. 1 is a top plan view of the receptacle for storing used medical needles showing our new design;  
FIG. 2 is a right side view thereof;  
FIG. 3 is a rear view thereof;  
FIG. 4 is a front view thereof;  
FIG. 5 is a bottom plan view thereof;  
FIG. 6 is a left side view thereof;  
FIG. 7 is a right rear, top perspective view thereof;  
FIG. 8 is a right rear, top perspective view thereof showing the cover in an open position; and,  
FIG. 9 is a front top perspective view thereof.

[56] **References Cited**

**U.S. PATENT DOCUMENTS**

D. 261,198 10/1981 Altadonna ..... D3/203  
4,917,243 4/1990 Abrams et al. .... 206/365  
5,024,326 6/1991 Sandel et al. .... D24/131 X



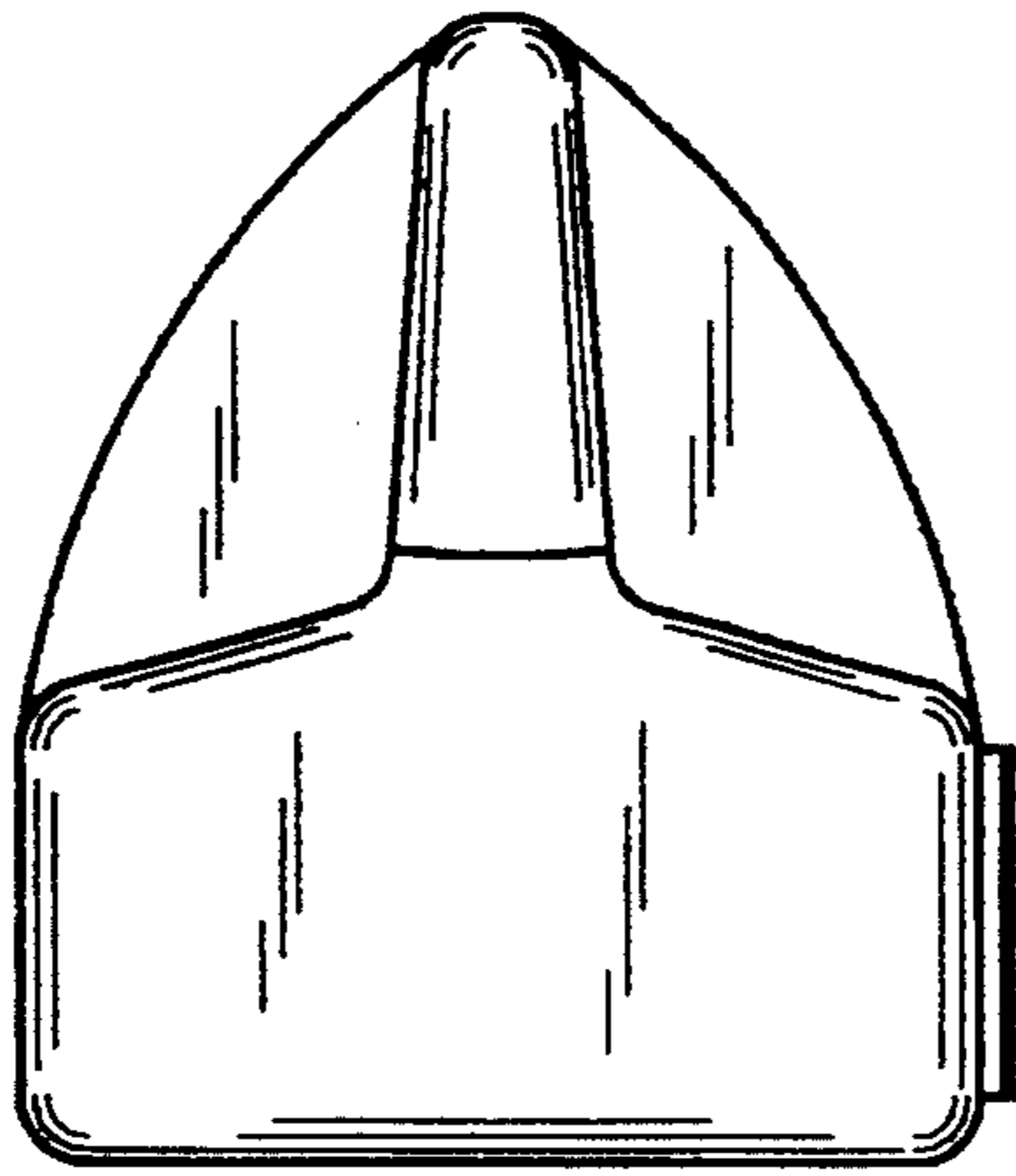


fig.1

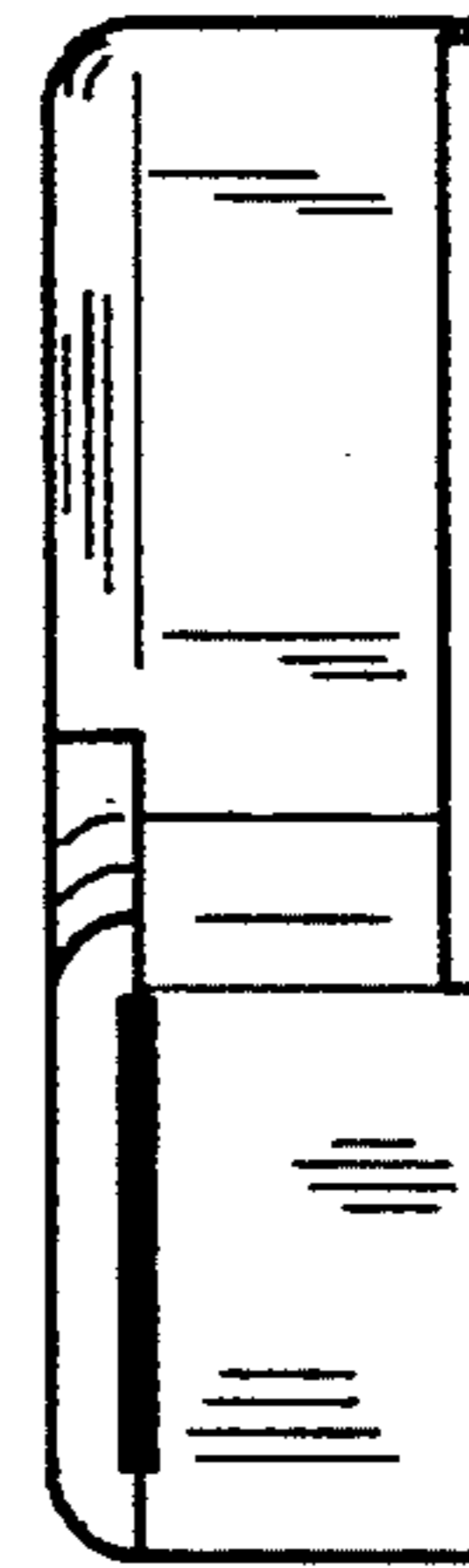


fig.2

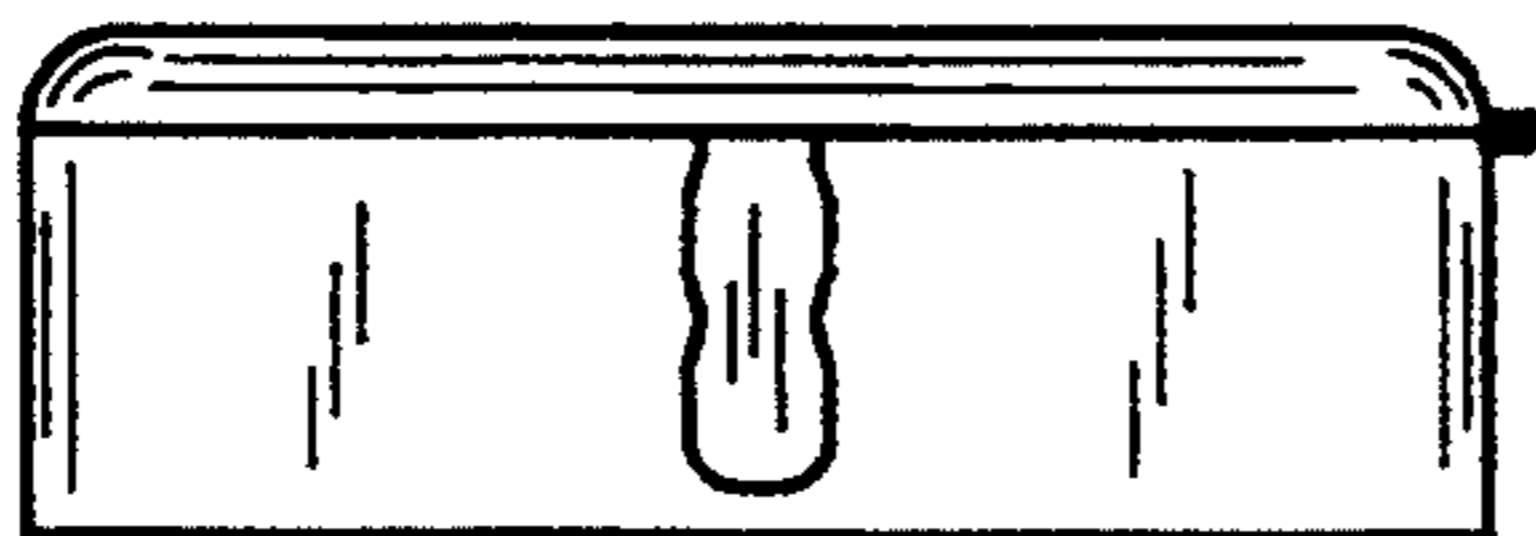


fig.3

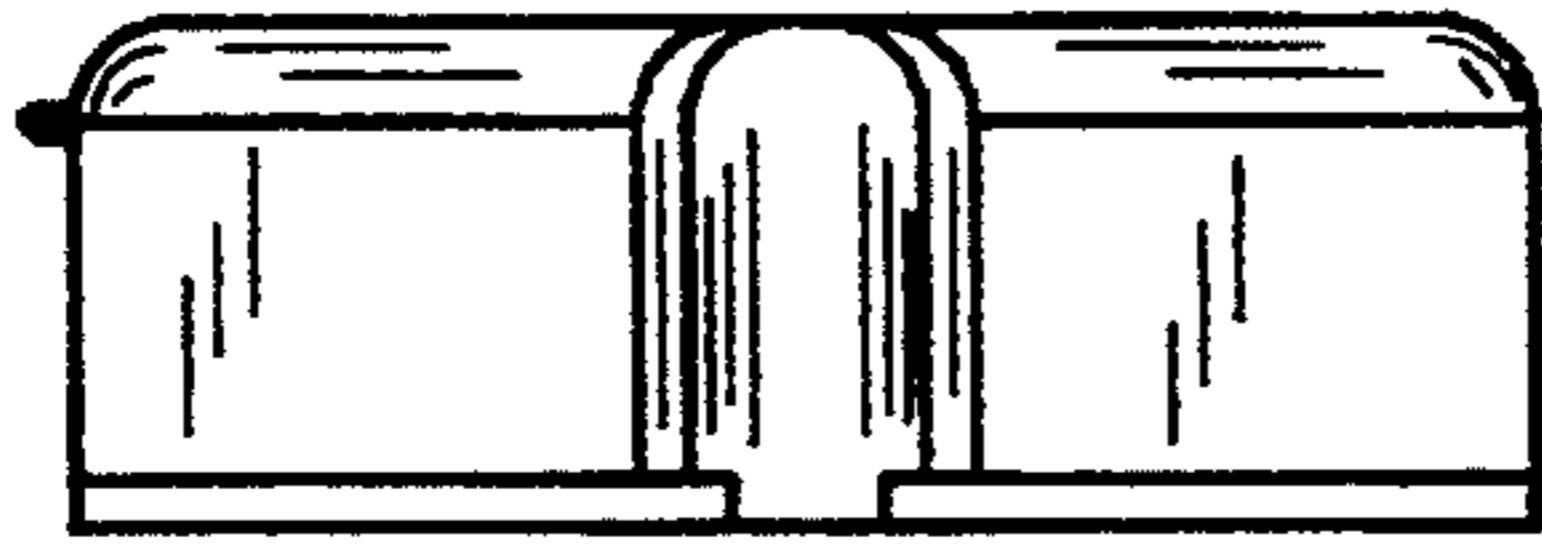


fig.4

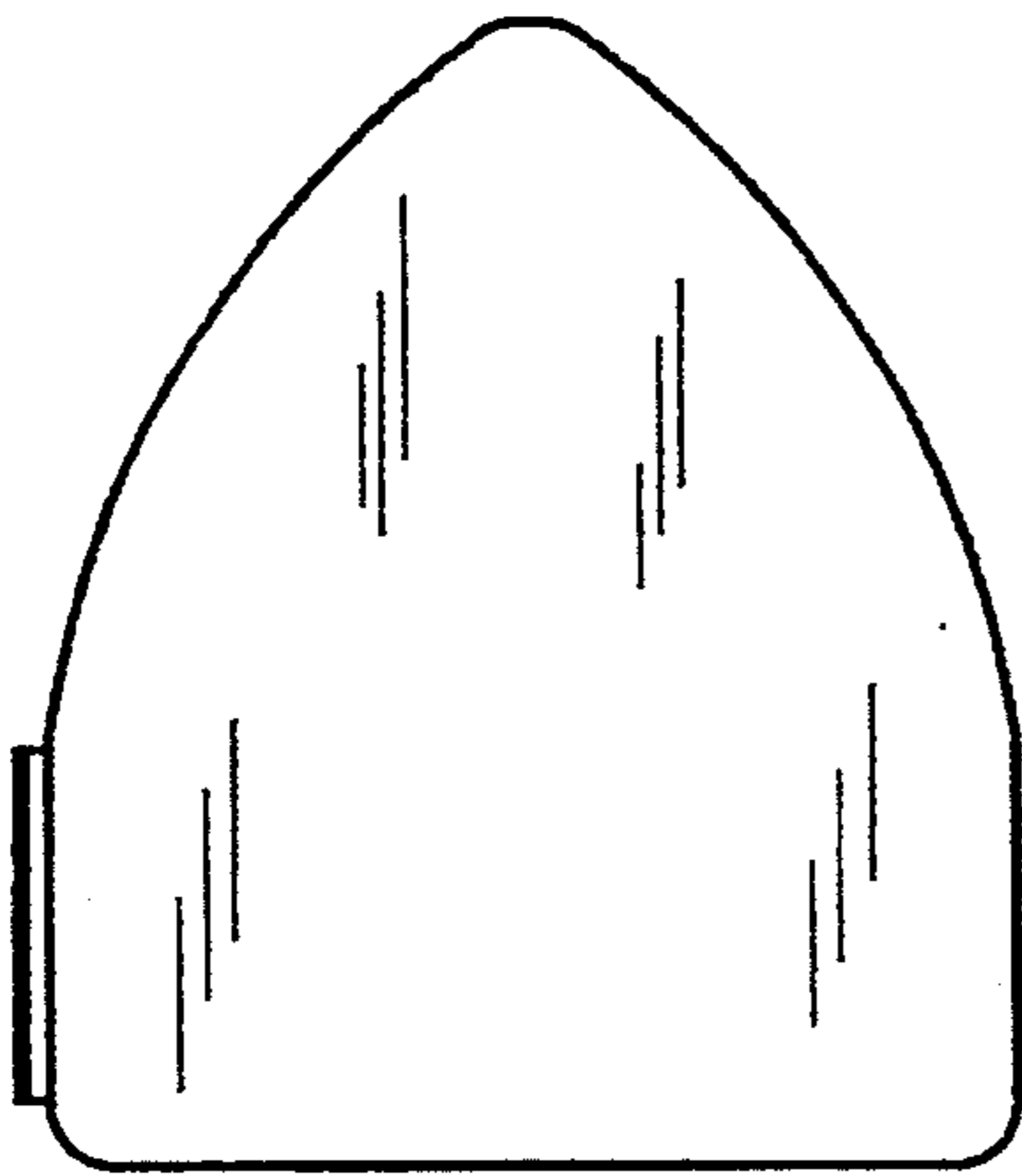


fig.5

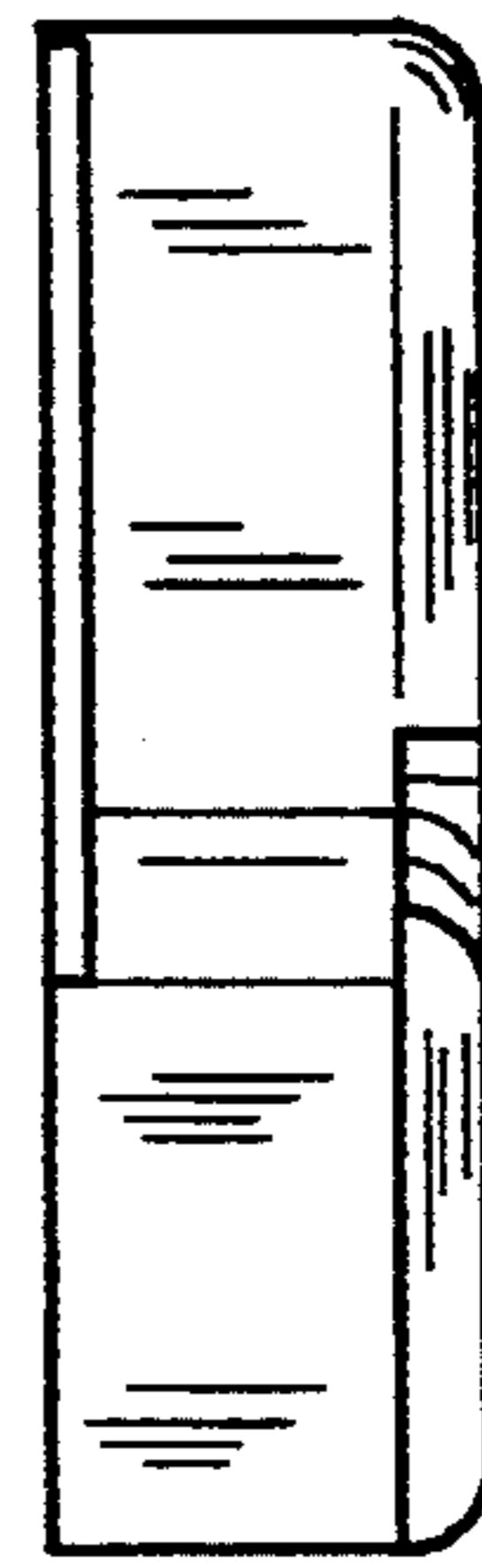


fig.6

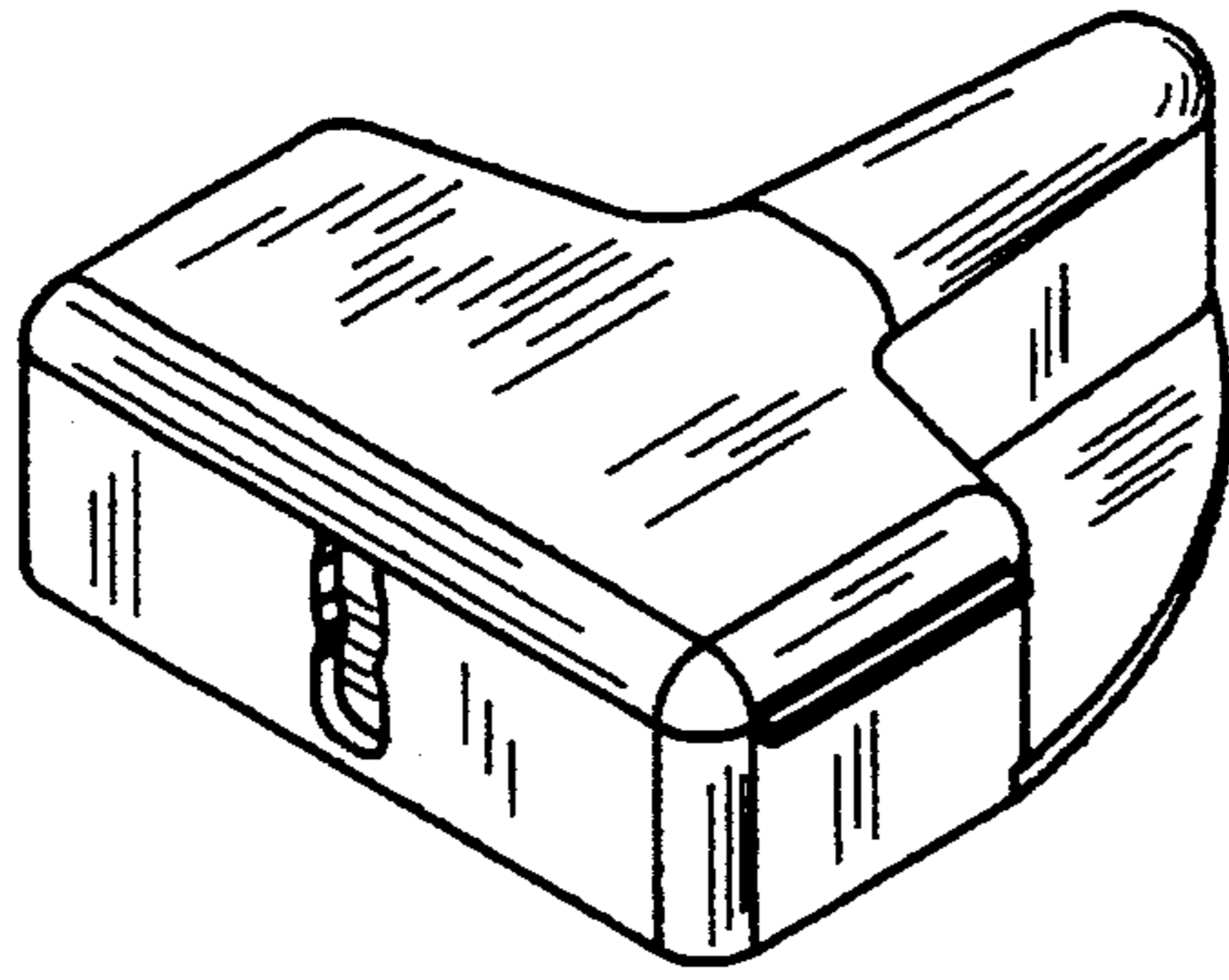


fig. 7

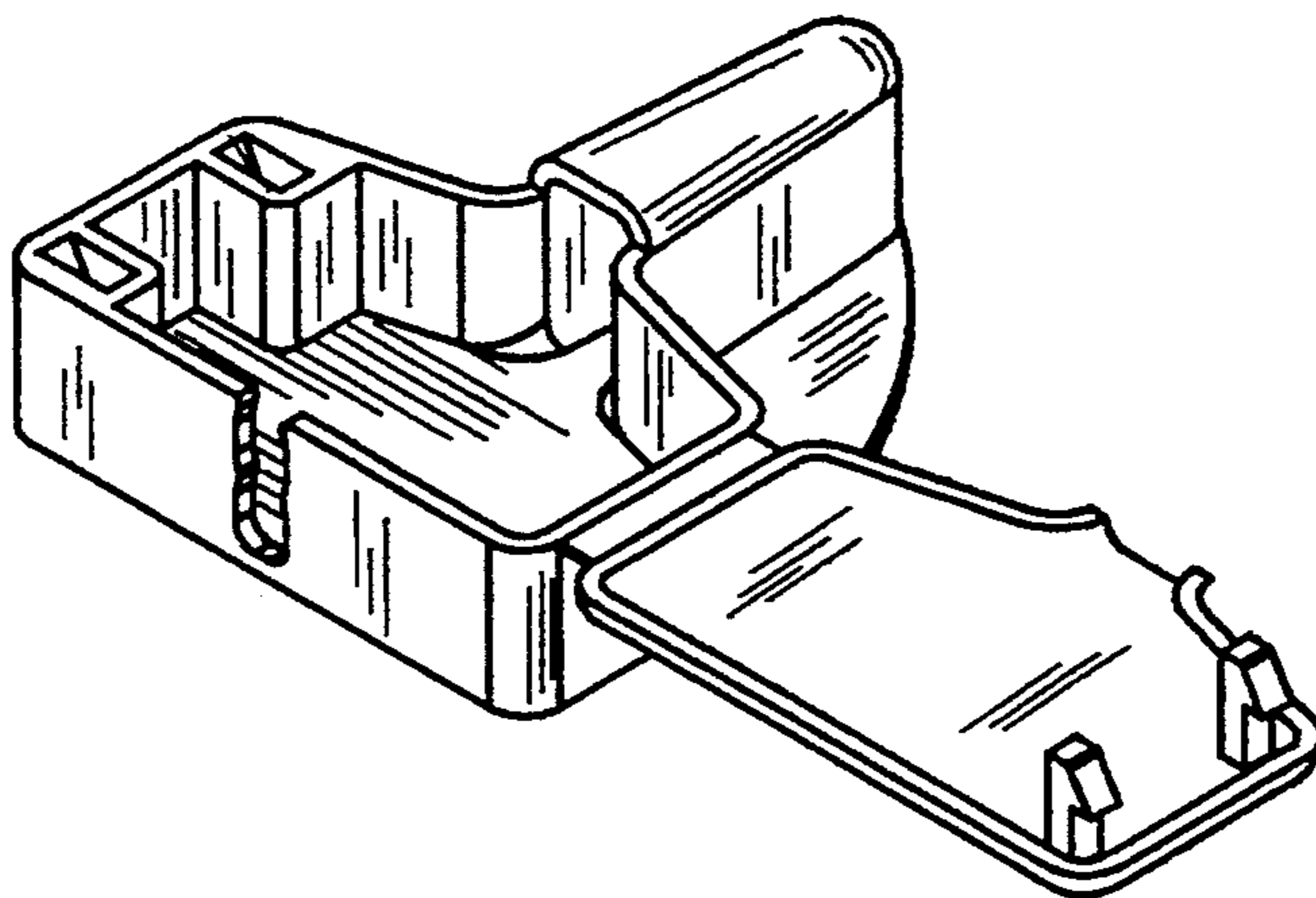


fig. 8

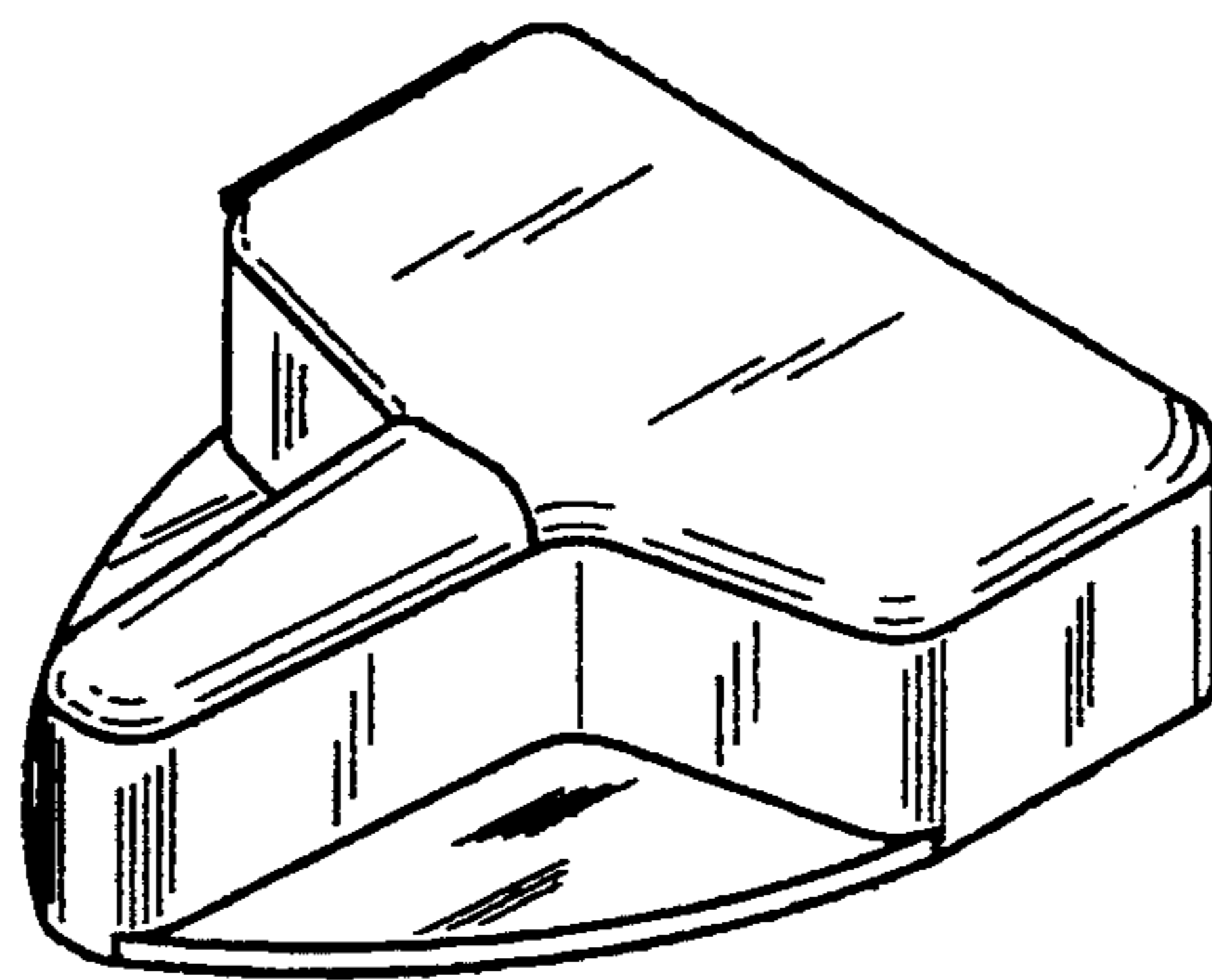


fig. 9