



US00D357308S

United States Patent [19]
Kaiser

[11] **Patent Number: Des. 357,308**
[45] **Date of Patent: ** Apr. 11, 1995**

[54] **COMBINED TOILET SEAT AND COVER**

[75] **Inventor: Jack N. Kaiser, Danville, Ky.**

[73] **Assignee: American Standard Inc., Piscataway, N.J.**

[**] **Term: 14 Years**

[21] **Appl. No.: 20,935**

[22] **Filed: Apr. 5, 1994**

[52] **U.S. Cl. D23/311**

[58] **Field of Search D23/309, 310, 311;
D17/14, 17, 18, 19; 4/217, 234, 236, 242.1,
245.1, 245.2, 245.3, 252.1, 253**

[56] **References Cited**

U.S. PATENT DOCUMENTS

D. 98,113 1/1936 Groeniser D23/311
D. 330,755 11/1992 Gerlach D23/311
2,132,550 10/1938 Wexelbers 4/234

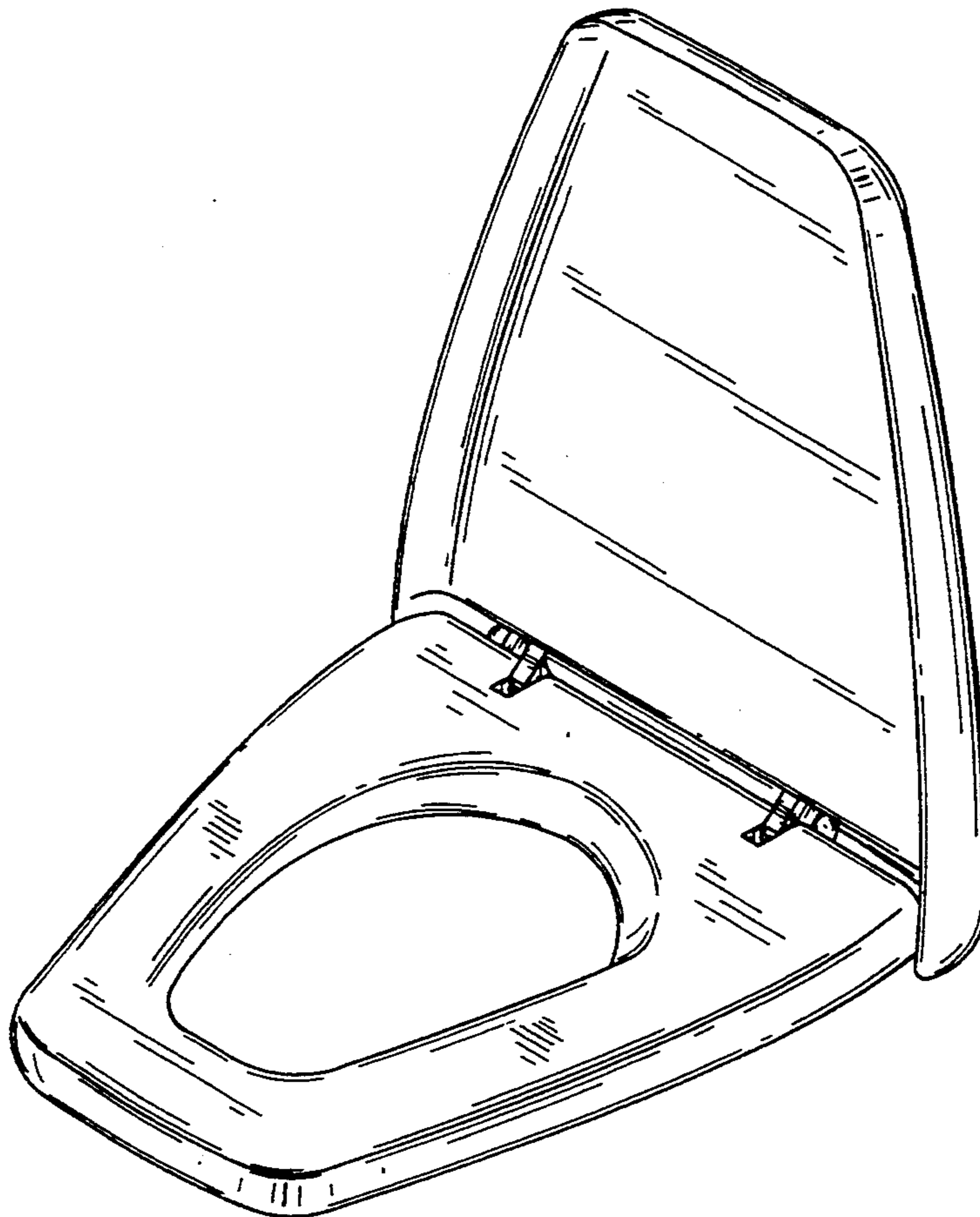
Primary Examiner—A. Hugo Word
Assistant Examiner—Eric Watterson
Attorney, Agent, or Firm—Elaine Brenner Robinson;
Ann M. Knab

[57] **CLAIM**

The ornamental design for a combined toilet seat and cover, as shown and described.

DESCRIPTION

FIG. 1 is a perspective view taken from the top and front of a combined toilet seat and cover embodying the design showing the cover in an open position;
FIG. 2 is a perspective view taken from the top and rear thereof, showing the combined toilet seat and cover in a closed position;
FIG. 3 is a front elevational view of FIG. 2;
FIG. 4 is a left side elevational view of FIG. 2, the right side being a mirror image of the left side shown;
FIG. 5 is a top plan view of FIG. 2;
FIG. 6 is a rear elevational view of FIG. 2;
FIG. 7 is a bottom plan view of FIG. 2;
FIG. 8 is a perspective view as seen from the top and front side thereof of another embodiment of the combined toilet seat and cover; and,
FIG. 9 is a bottom plan view of the combined toilet seat and cover of FIG. 8 in closed position.
FIGS. 2 through 6 are perspective, front elevational, left side, top plan and rear elevational views of the toilet seat and cover of FIG. 9.



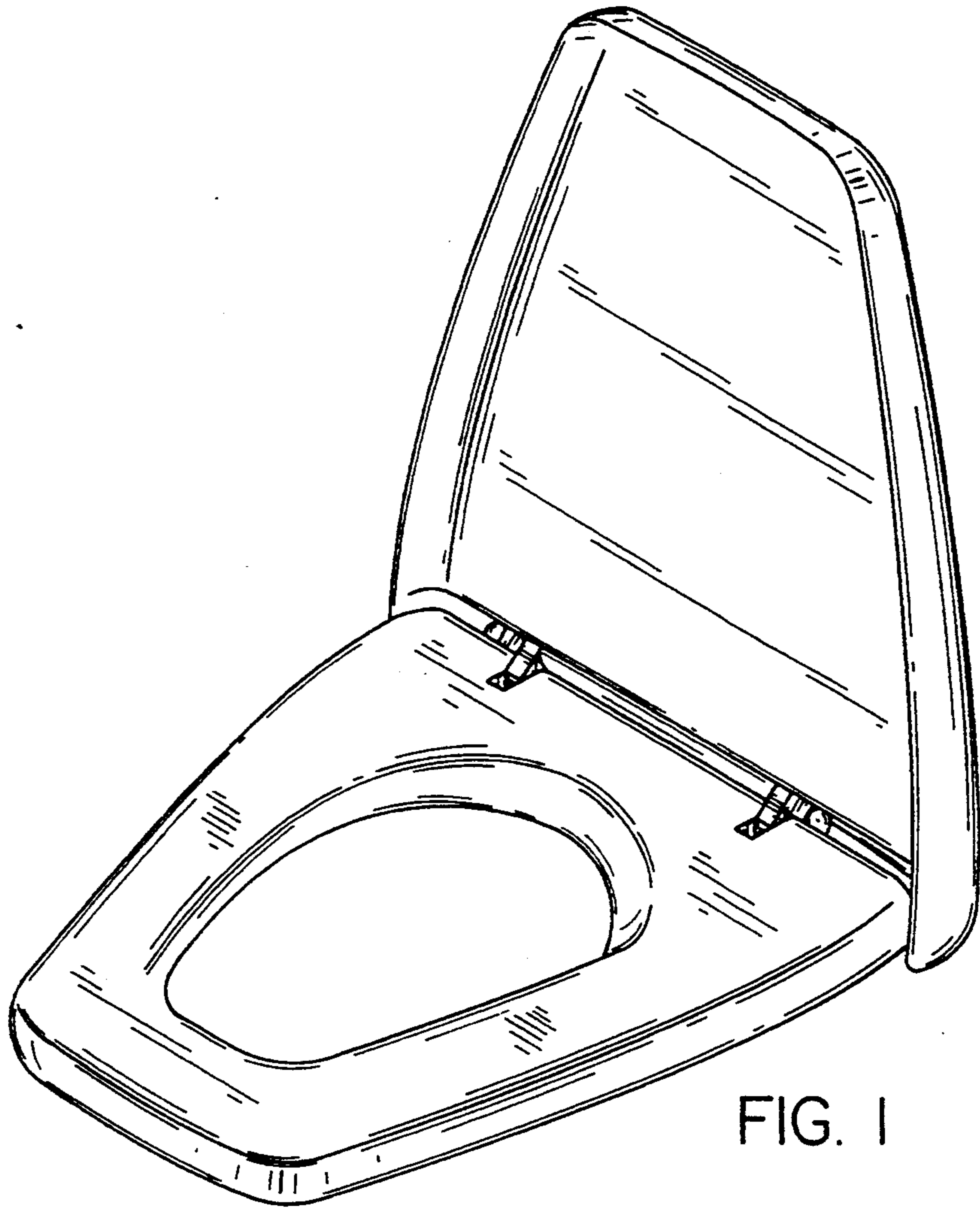


FIG. 1

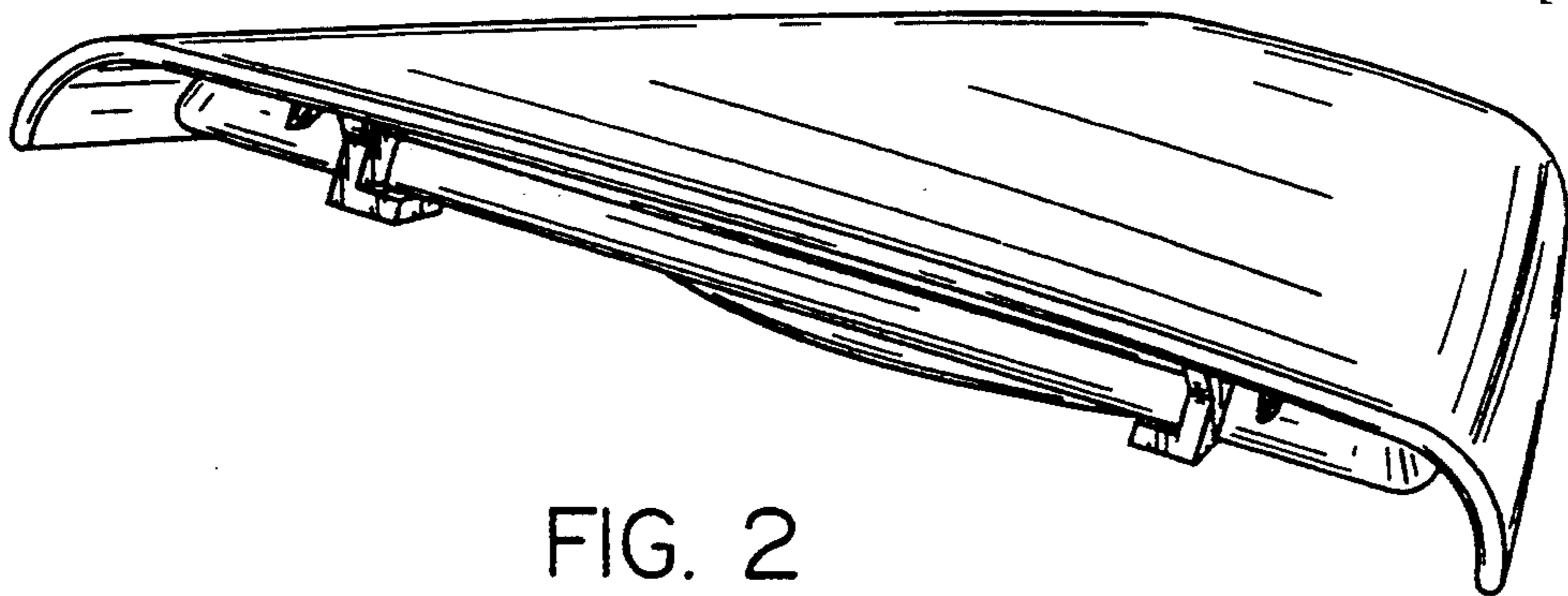


FIG. 2

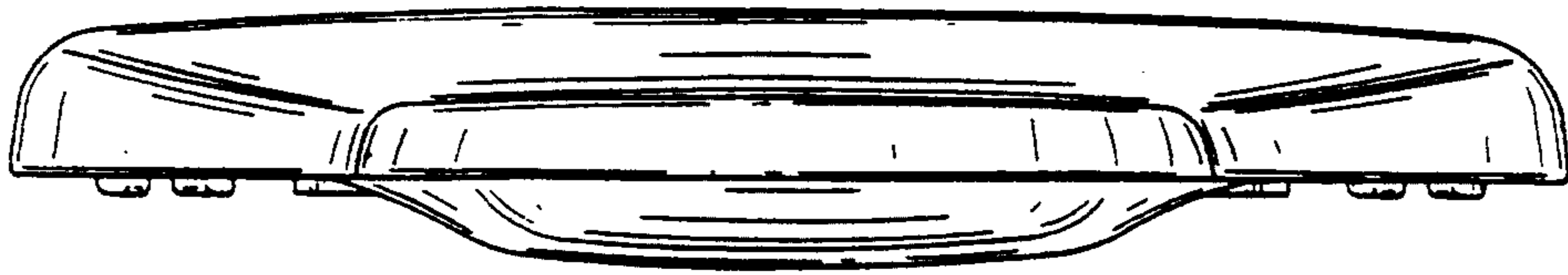


FIG. 3

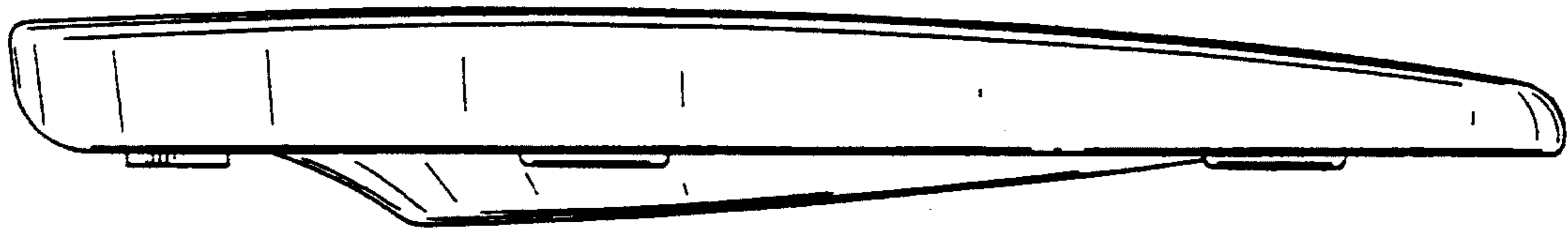


FIG. 4

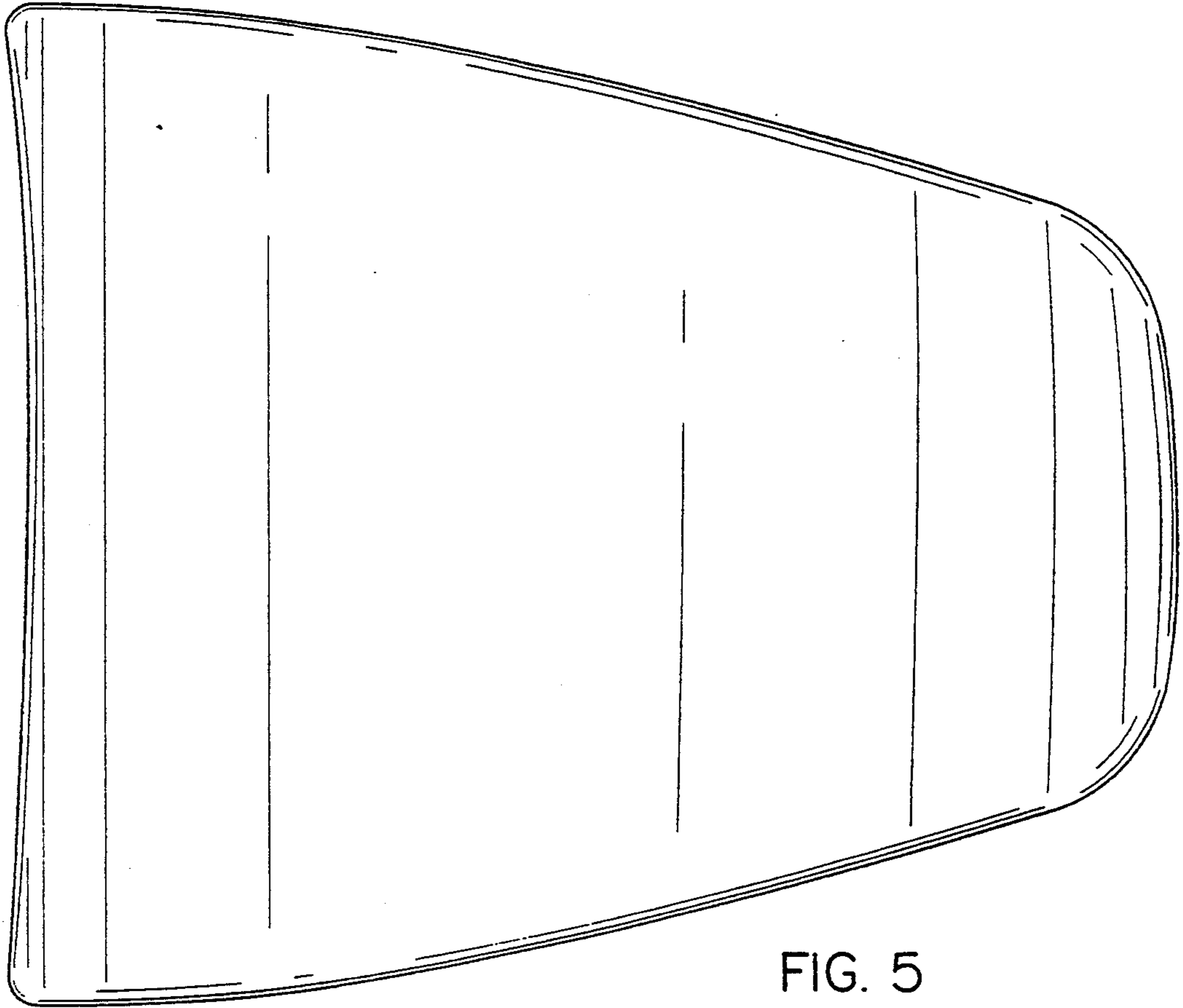


FIG. 5

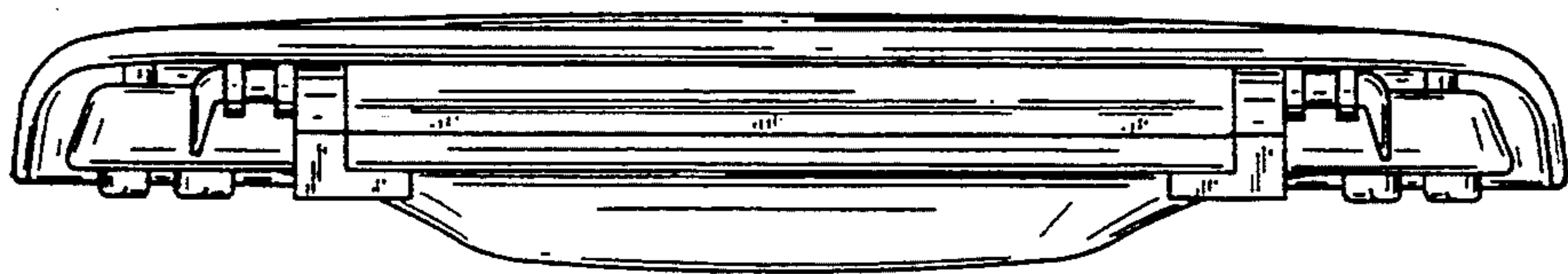


FIG. 6

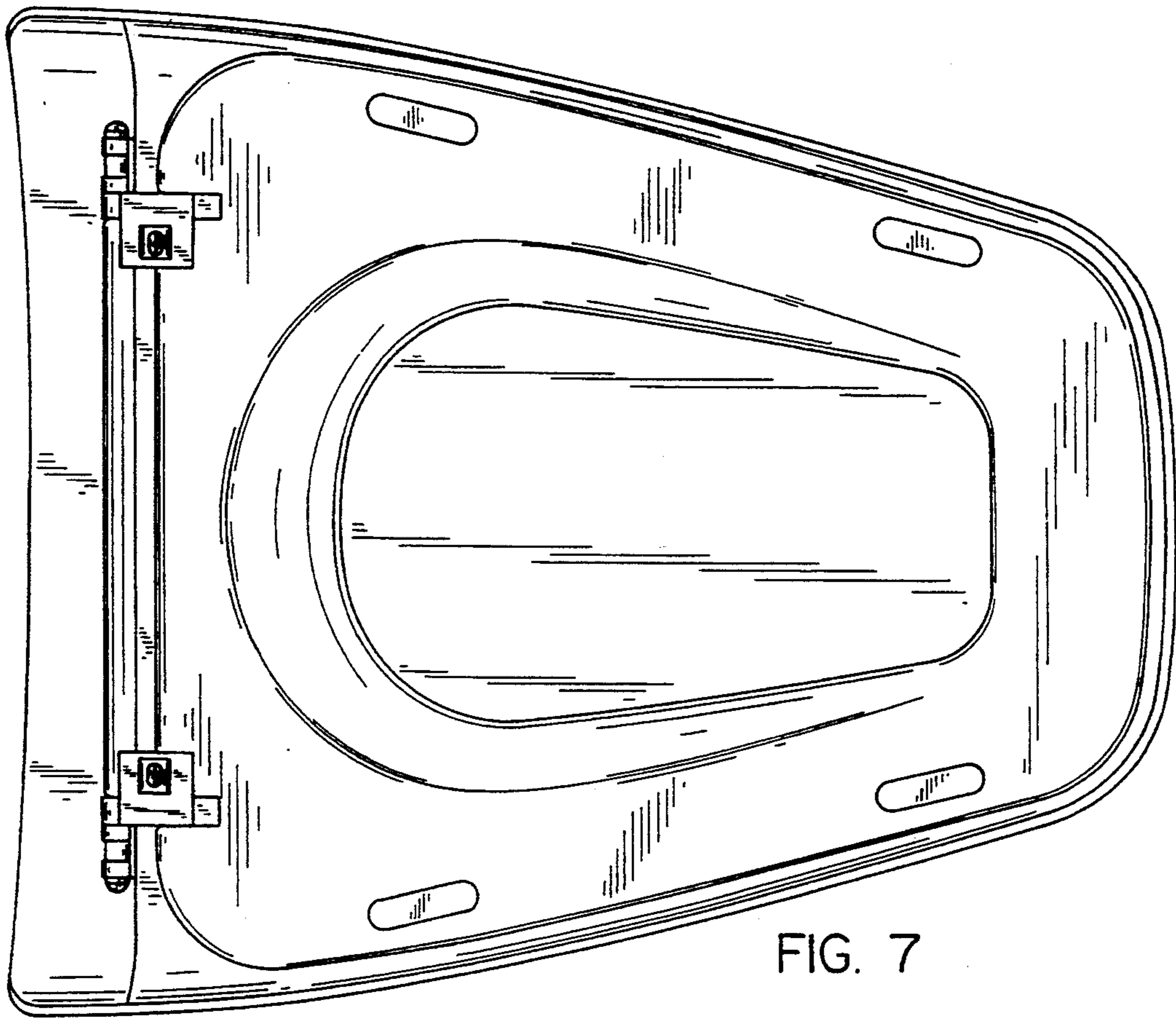


FIG. 7

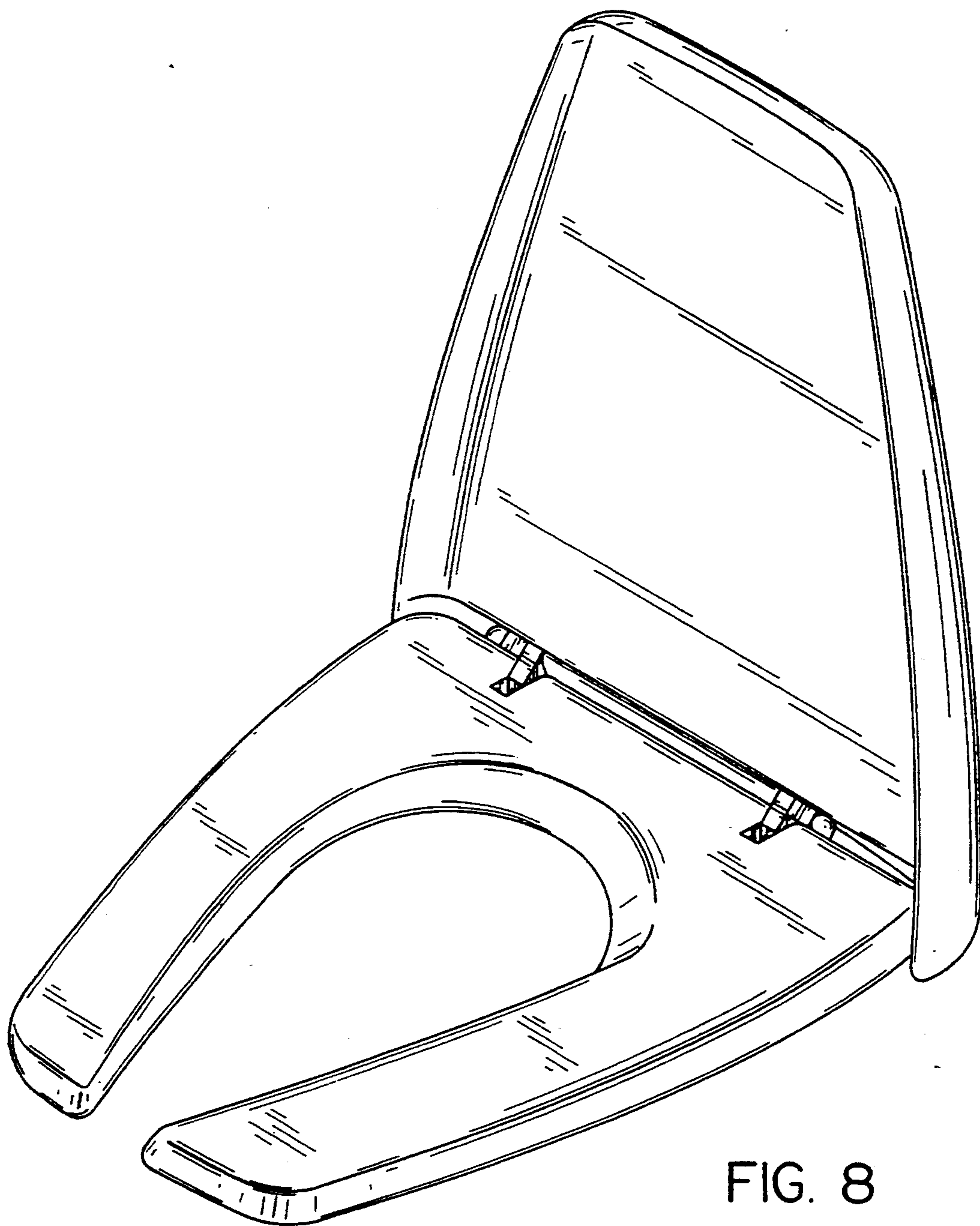


FIG. 8

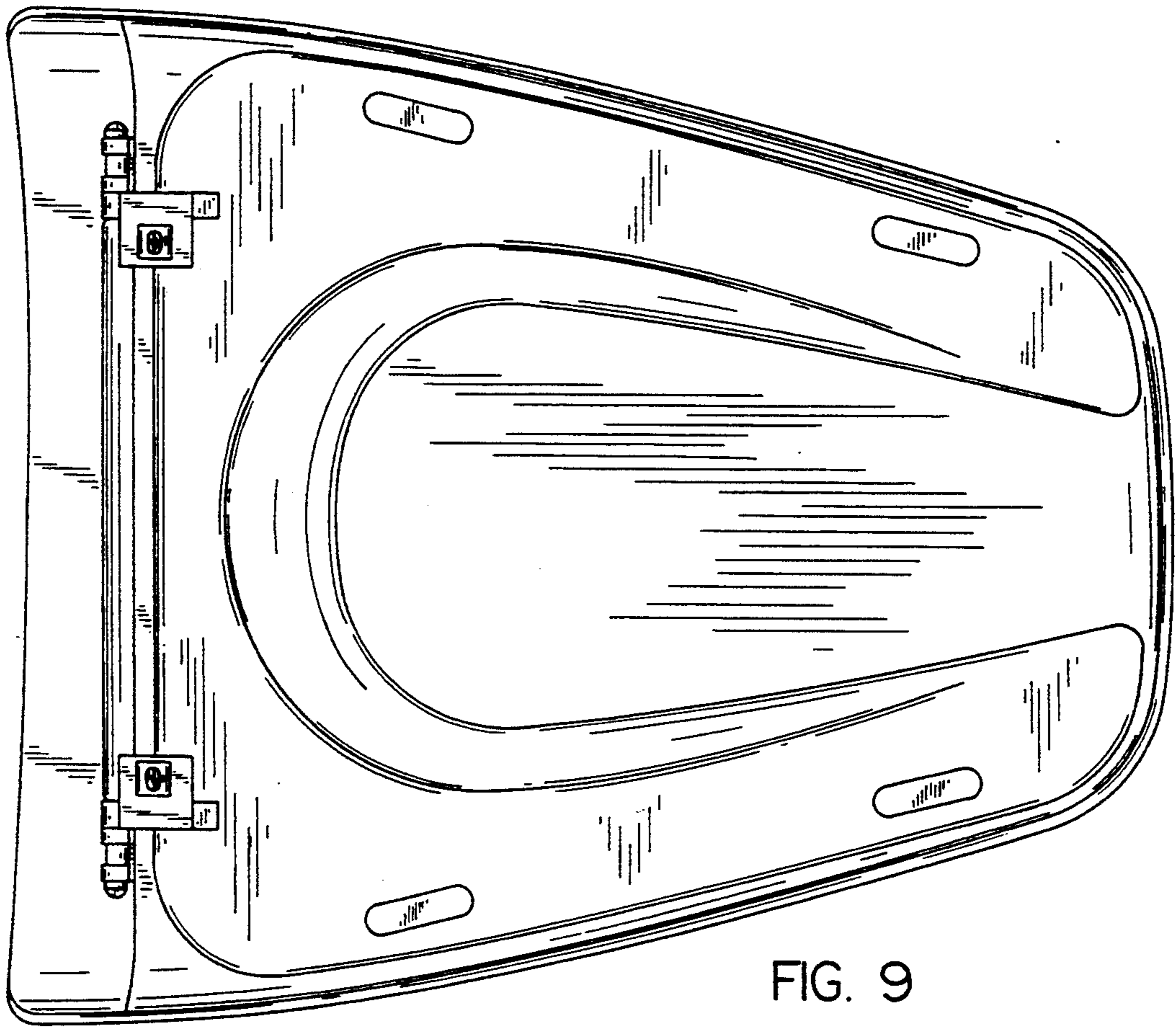


FIG. 9