



US00D357307S

United States Patent [19]

[11] Patent Number: **Des. 357,307**

Ramacier, Jr. et al.

[45] Date of Patent: **** Apr. 11, 1995**

[54] **QUICK CONNECTION COUPLING VALVE ASSEMBLY**

[75] Inventors: **Patrick J. Ramacier, Jr., St. Paul; David W. Meyer, Jordan, both of Minn.**

[73] Assignee: **Colder Products Company, St. Paul, Minn.**

[**] Term: **14 Years**

[21] Appl. No.: **871**

[22] Filed: **Oct. 27, 1992**

[52] U.S. Cl. **D23/262; D24/129**

[58] Field of Search **D23/259-269; 141/346, 349; 137/797, 798; 251/149.1, 149.6; 604/326, 411, 414, 415, 905; 285/3; D24/129**

[56] **References Cited**

U.S. PATENT DOCUMENTS

D. 172,372	6/1954	Wagner	D24/129 X
D. 314,233	1/1991	Medvick	D23/262
1,810,735	6/1931	Smith	251/149.1
2,419,503	4/1947	Scheiner	251/149.6
3,170,667	2/1965	Szohotzky	251/149.6
4,253,684	3/1981	Tolbert et al.	604/905 X
4,436,125	3/1984	Blenkush	141/330
4,541,457	9/1985	Blenkush	137/614.06
4,613,112	9/1986	Philipot et al.	251/149.6
4,703,957	11/1987	Blenkush	285/239
4,934,655	6/1990	Blenkush et al.	251/149.1
5,104,158	4/1992	Meyer et al.	251/308

OTHER PUBLICATIONS

"CPC Quick Couplings for Plastic Tubing", Colder

Products Company product catalogue, Form CP-1, Rev 2 990, printed in U.S.A., 1989.

"Softube™ fittings", Colder Products Company product catalogue, Form ST-1, Rev 2-691, printed in U.S.A., 1990.

Primary Examiner—A. Hugo Word

Assistant Examiner—Eric Watterson

Attorney, Agent, or Firm—Merchant, Gould, Smith, Edell, Welter & Schmidt

[57] **CLAIM**

The ornamental design for a quick connection coupling valve assembly, as shown and described.

DESCRIPTION

FIG. 1 is a front and top right perspective view of one embodiment of a quick connection coupling valve assembly showing our design;

FIG. 2 is a left side elevational view thereof;

FIG. 3 is a right side elevational view thereof;

FIG. 4 is a top plan view thereof;

FIG. 5 is a bottom plan view thereof;

FIG. 6 is a front elevational view thereof, a back elevational view being a mirror image;

FIG. 7 is a front and top right perspective view of a second embodiment of a quick connection coupling valve assembly showing our design;

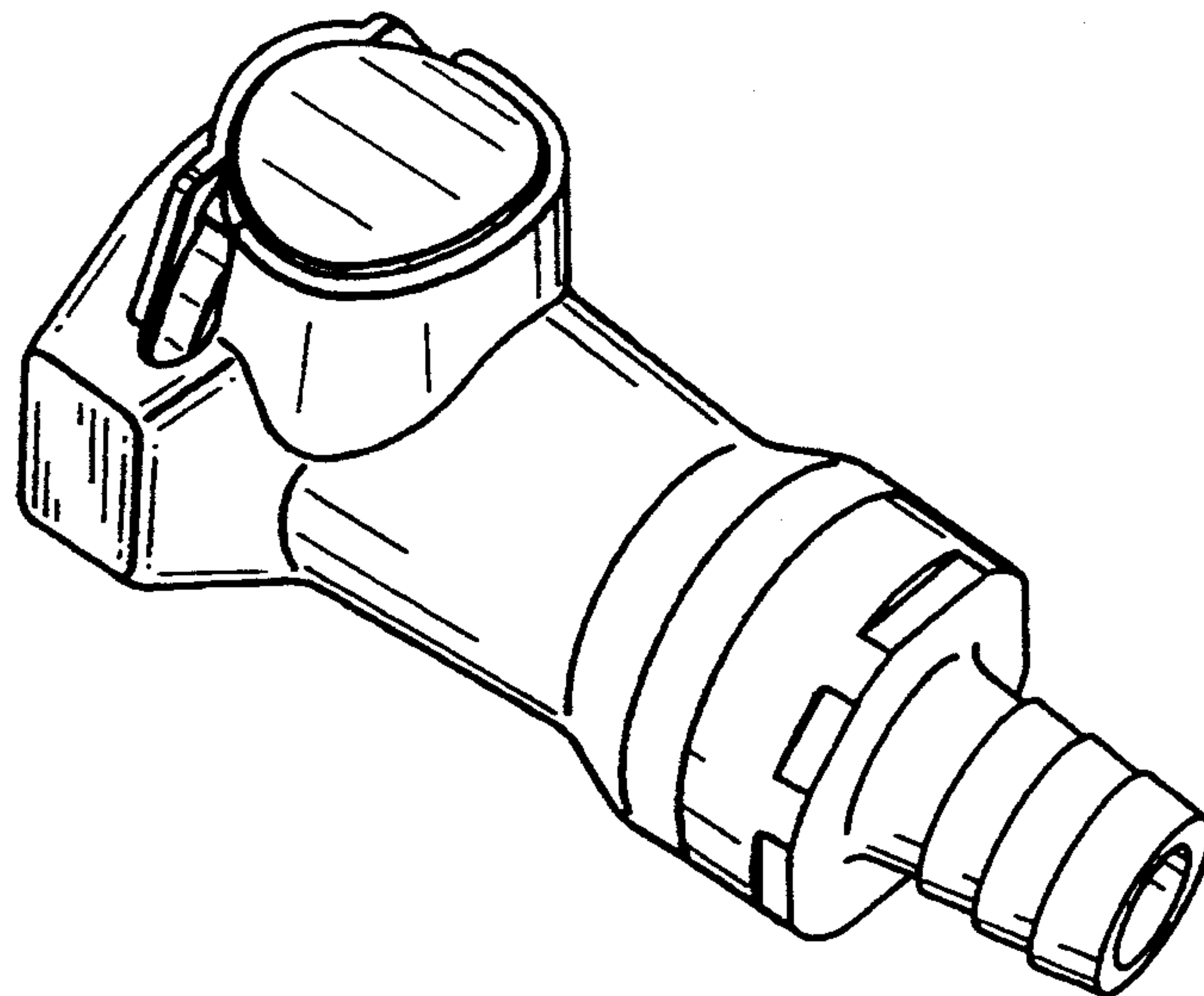
FIG. 8 is a left side elevational view thereof;

FIG. 9 is a right side elevational view thereof;

FIG. 10 is a top plan view thereof;

FIG. 11 is a bottom plan view thereof; and,

FIG. 12 is a front elevational view thereof, a back elevational view being a mirror image.



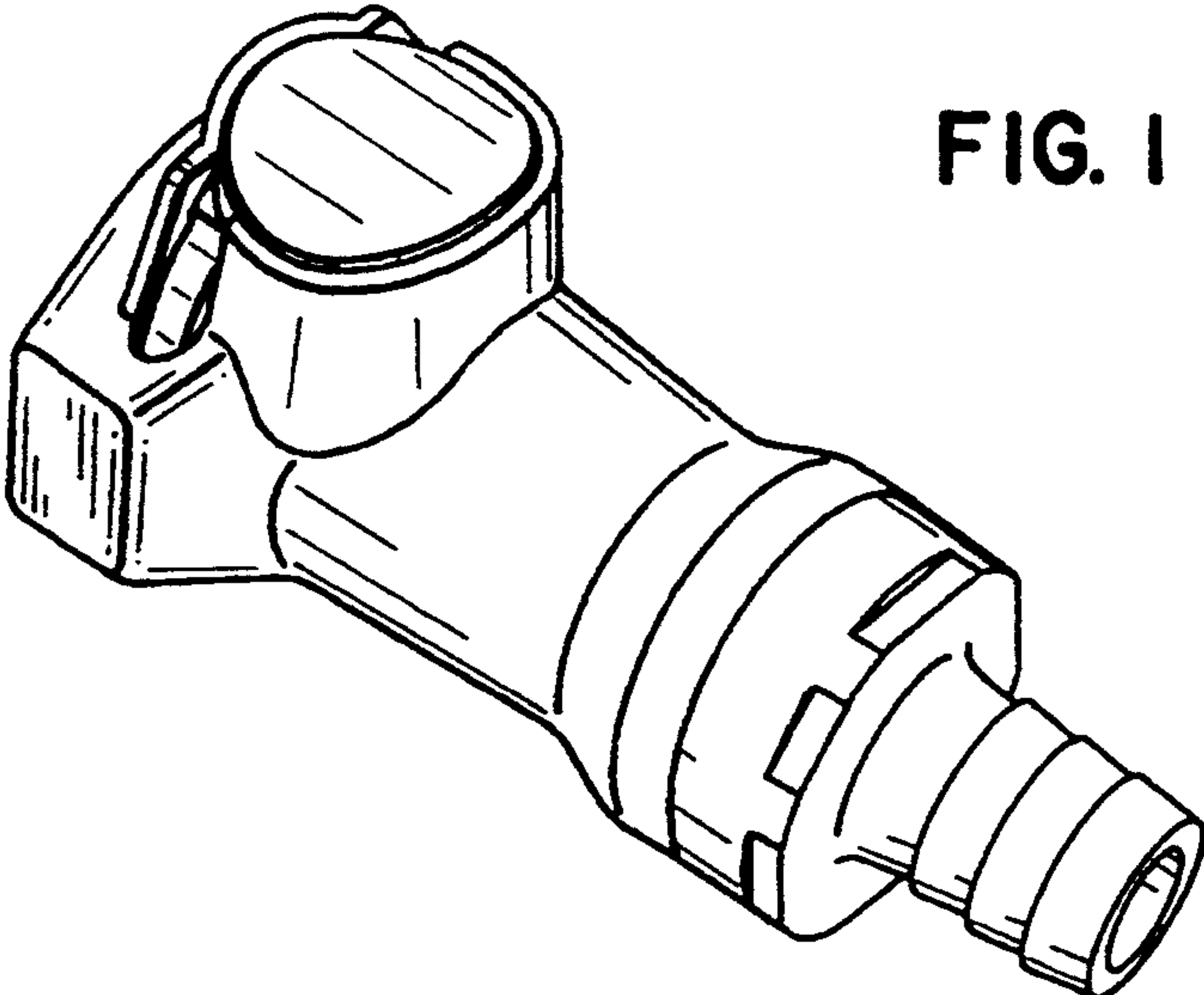


FIG. 1

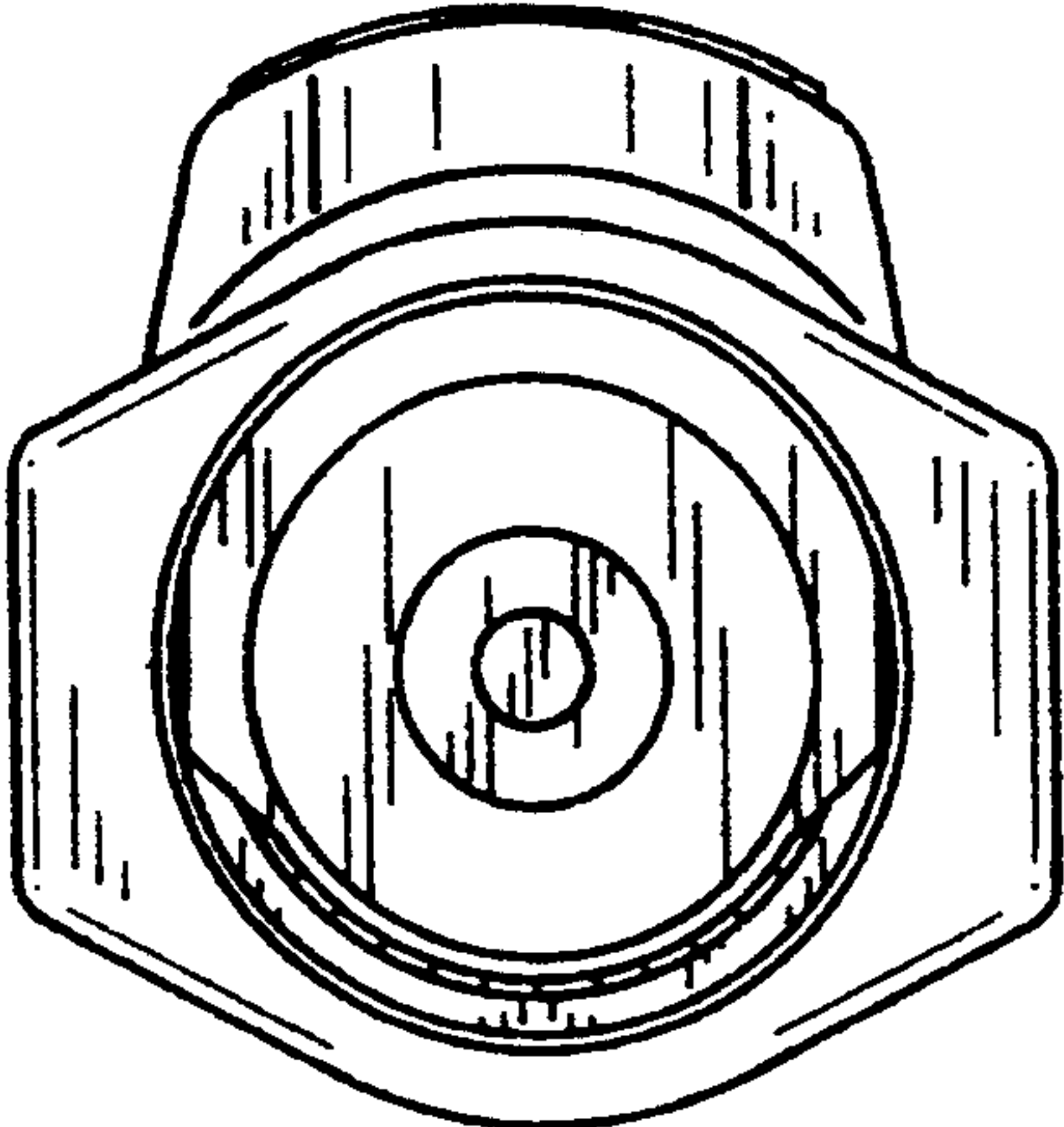


FIG. 2

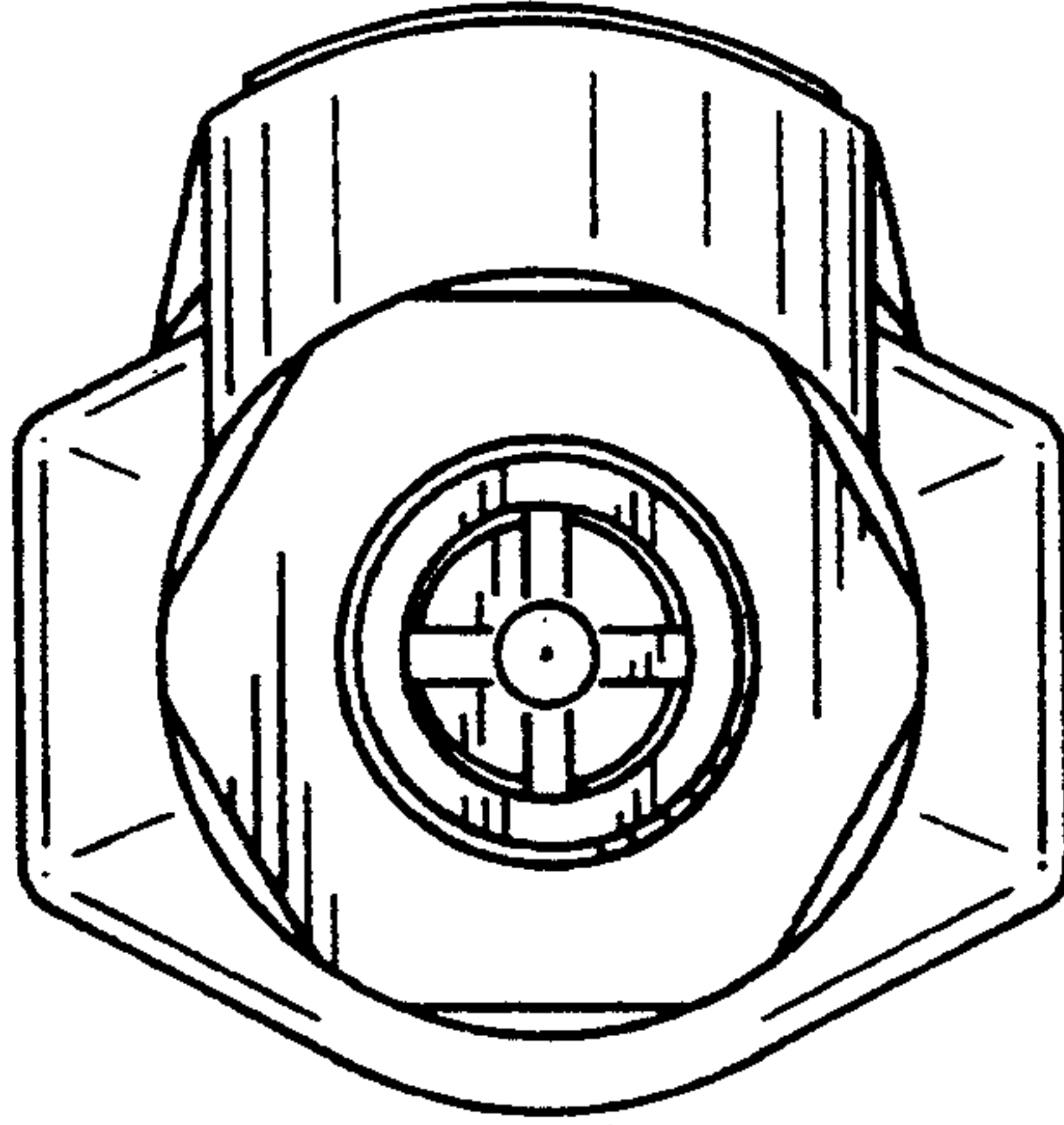


FIG. 3

FIG. 4

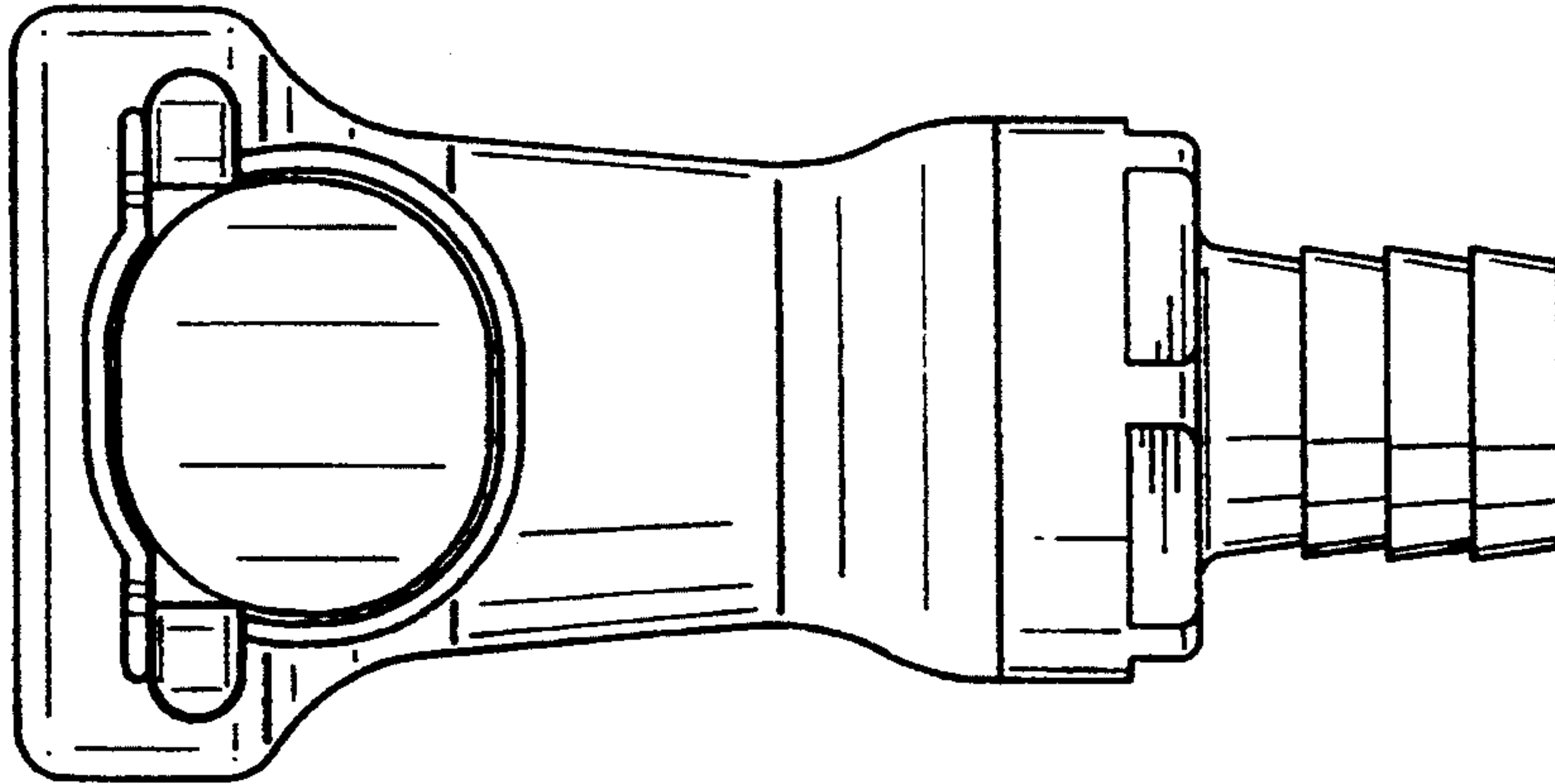


FIG. 5

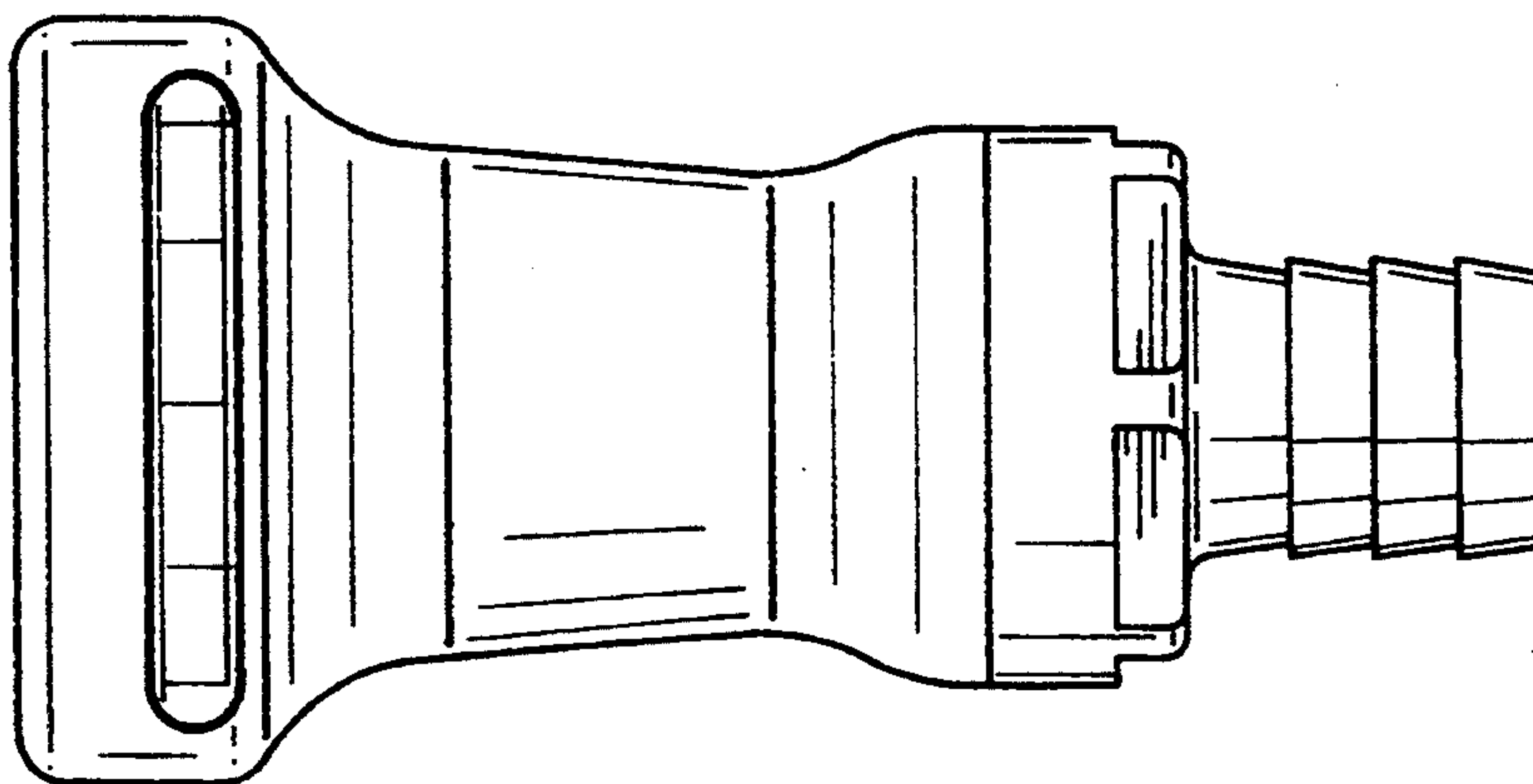
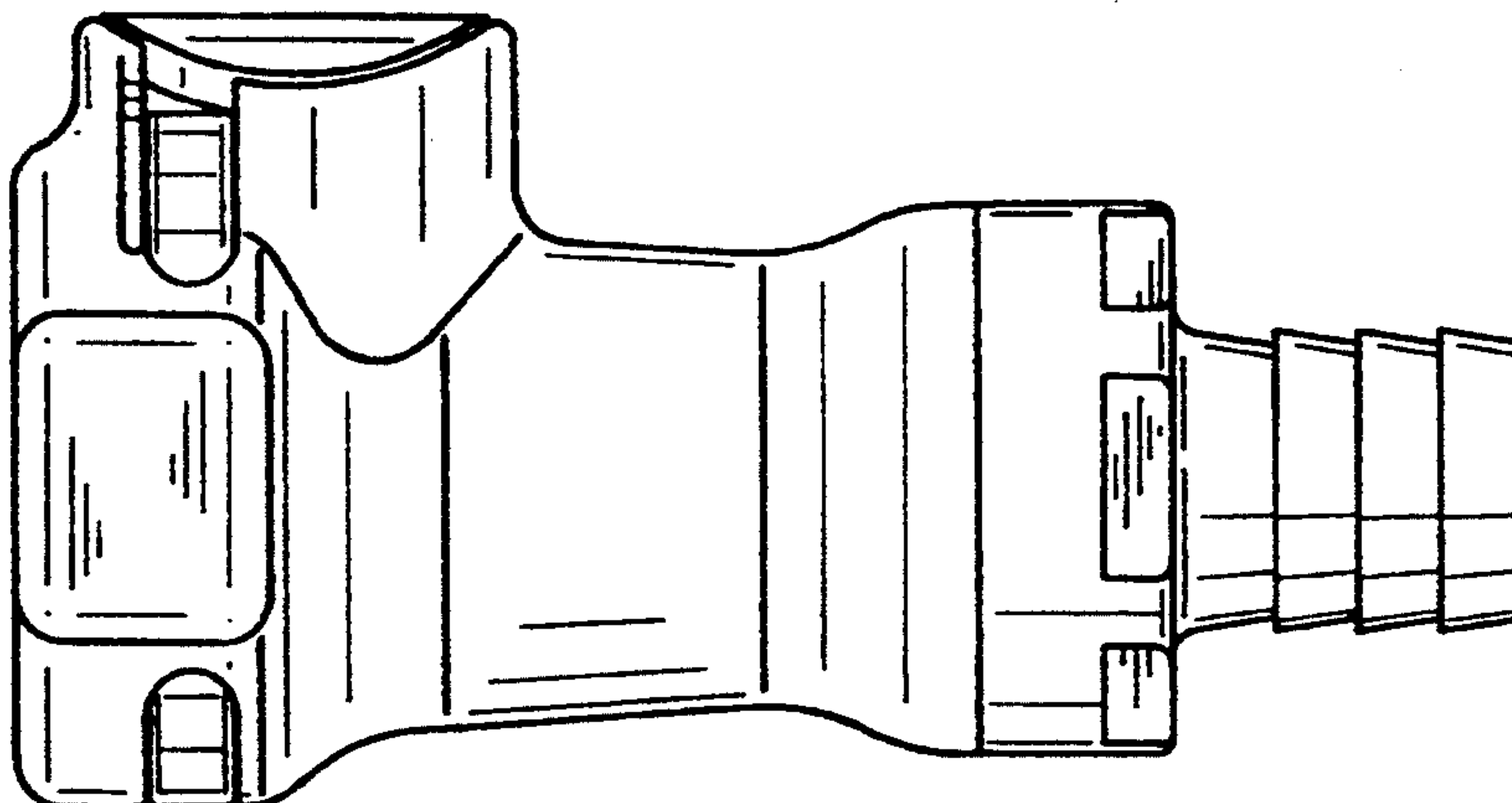


FIG. 6



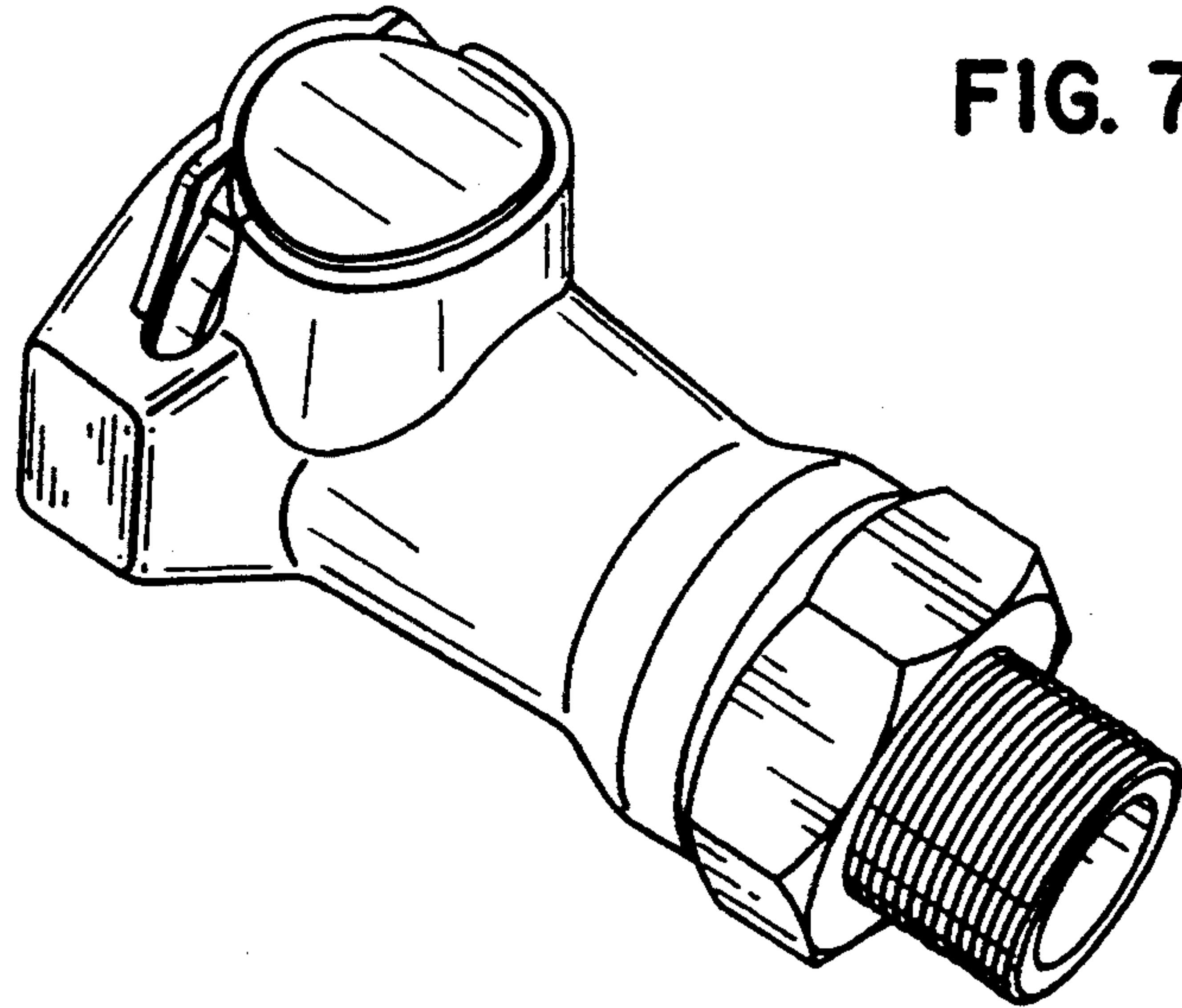


FIG. 7

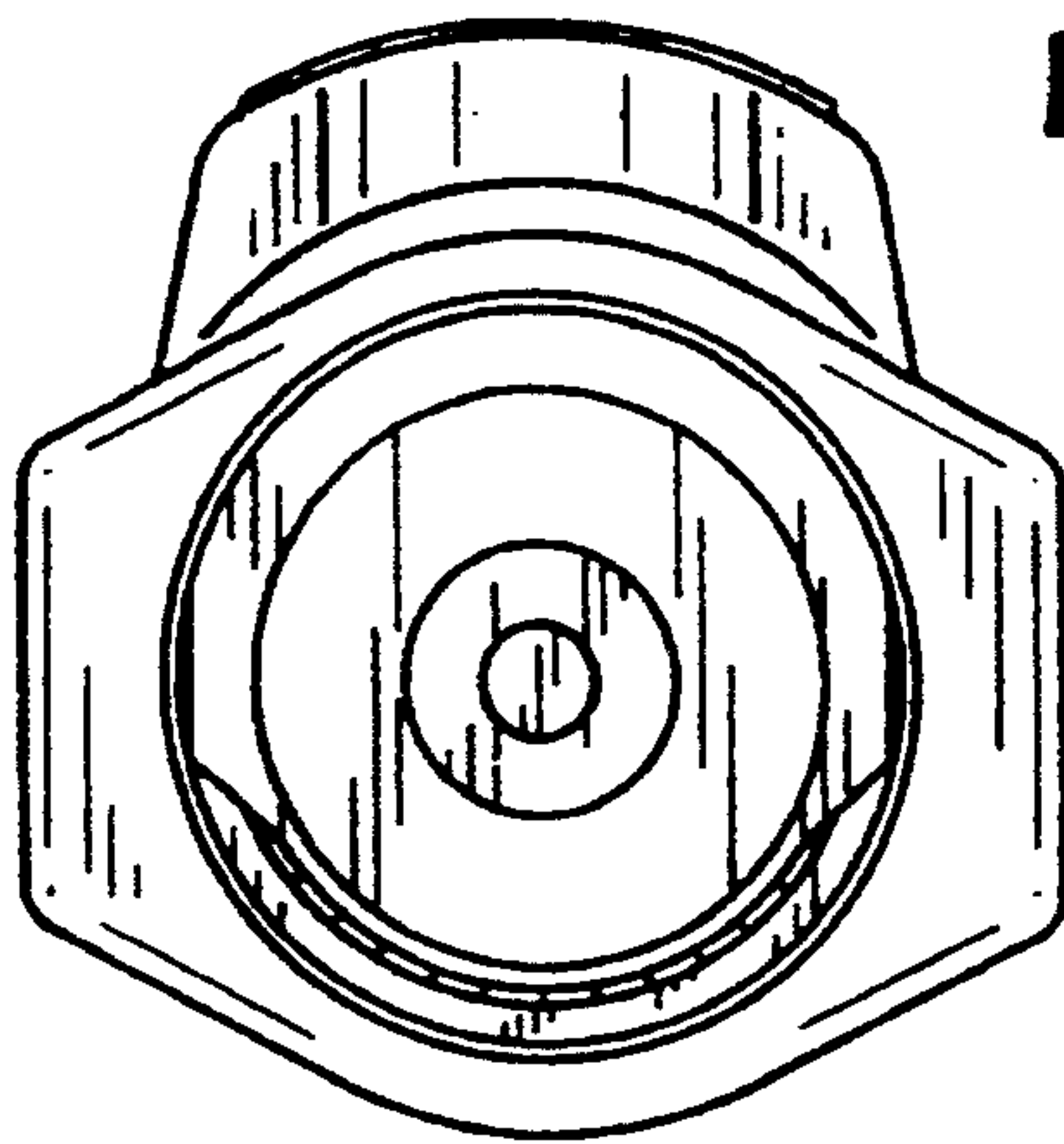


FIG. 8

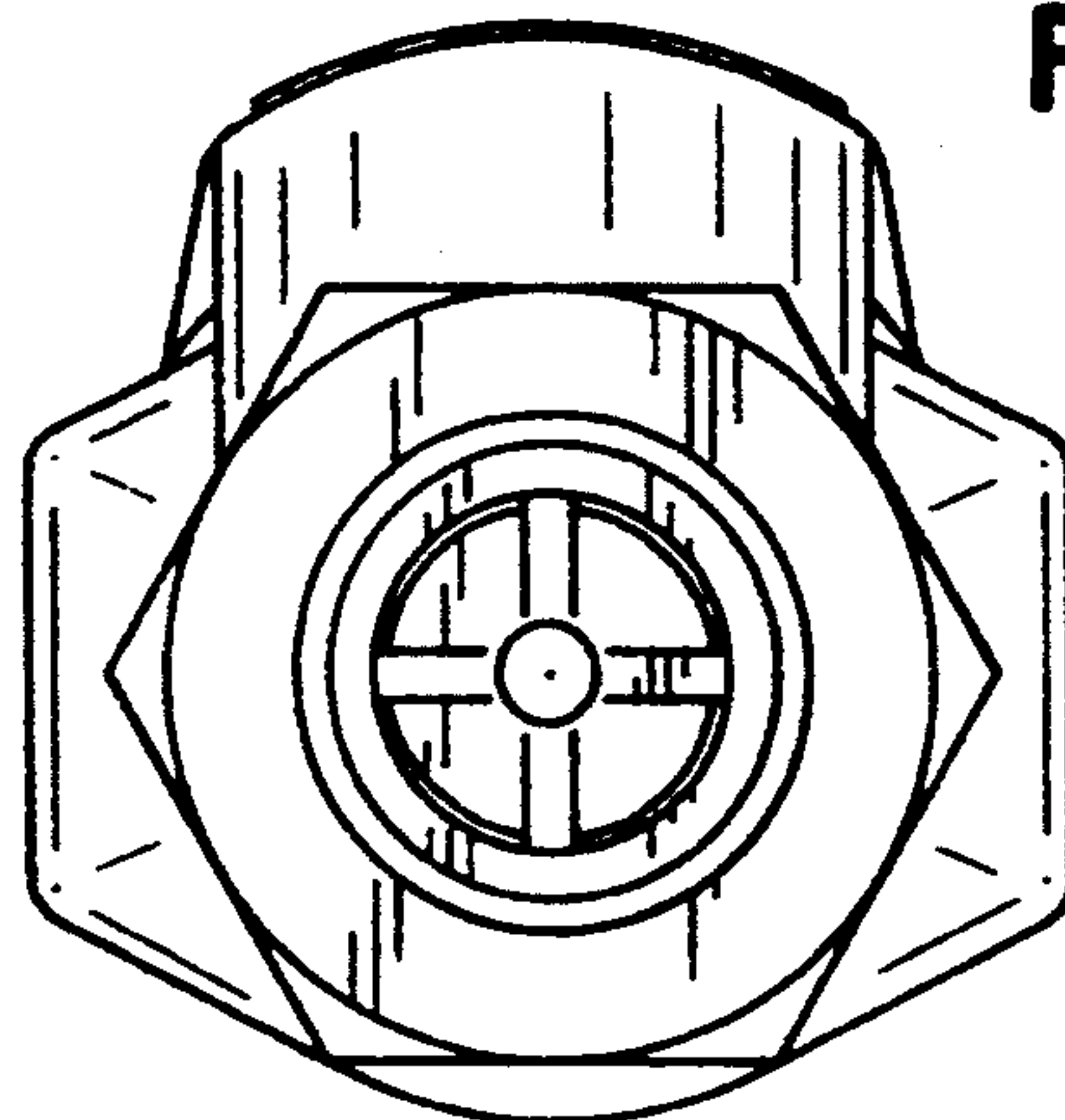


FIG. 9

FIG. 10

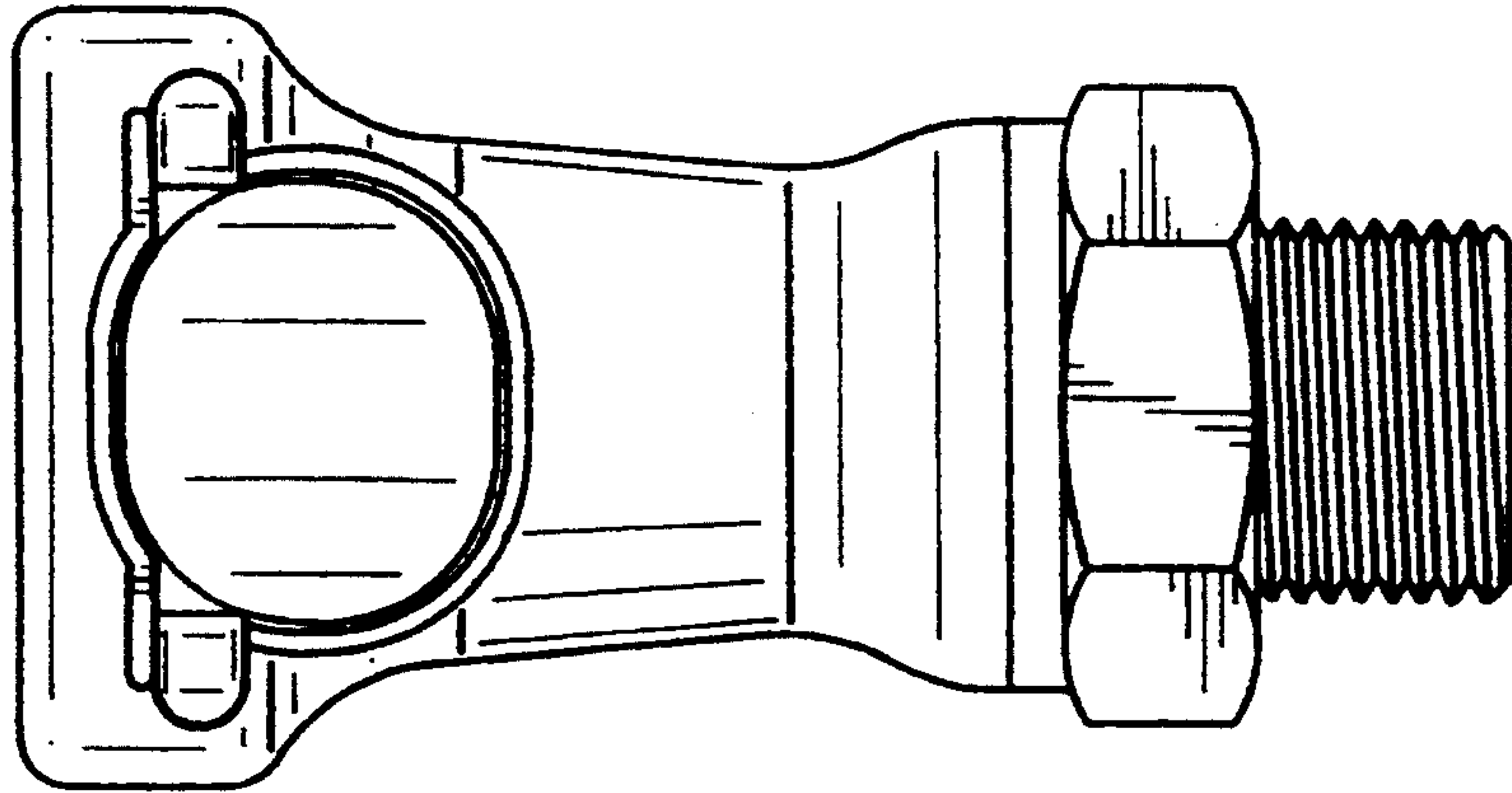


FIG. 11

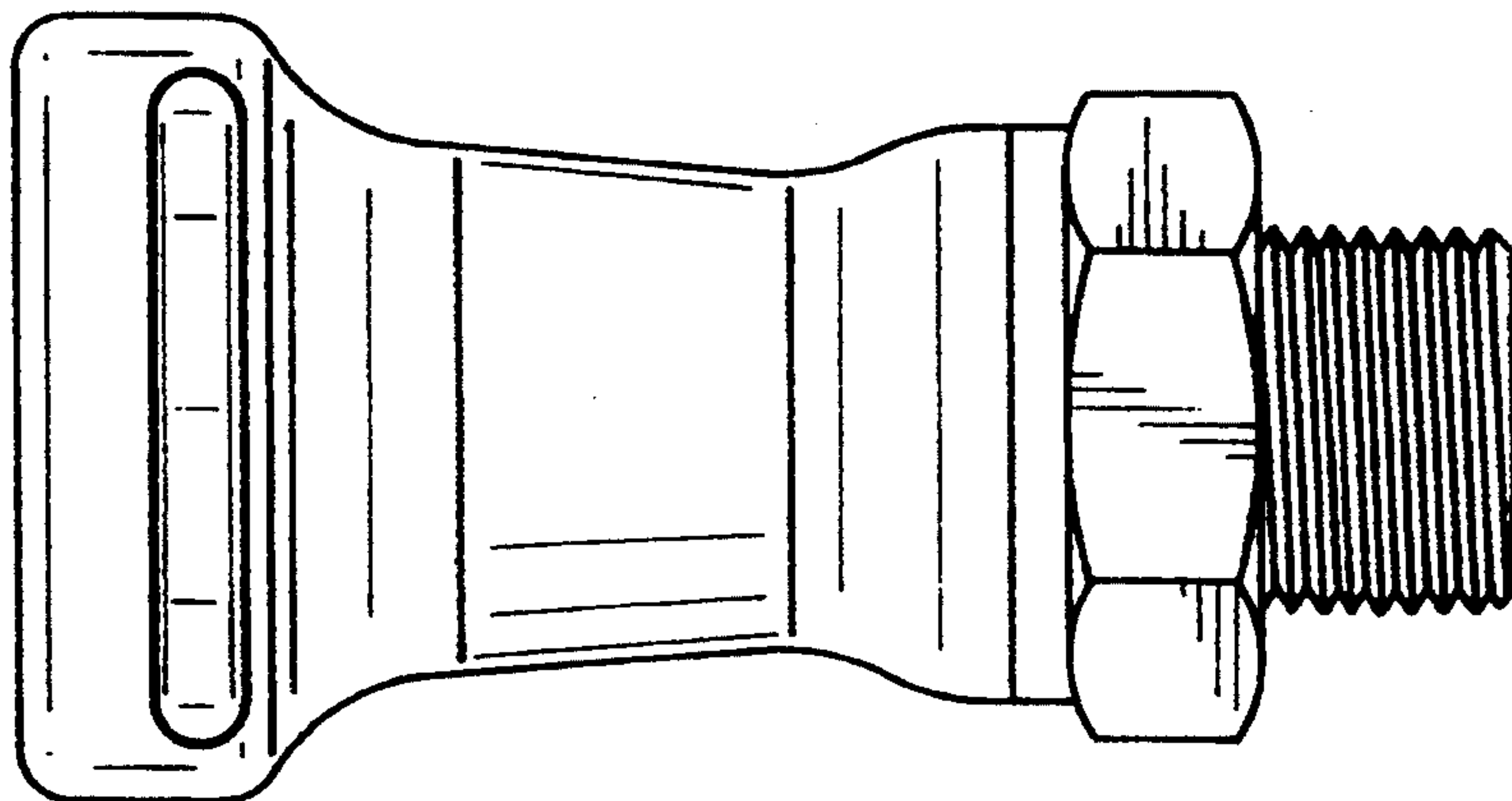


FIG. 12

