



US00D357305S

United States Patent [19]

[11] Patent Number: **Des. 357,305**

Fabian

[45] Date of Patent: **** Apr. 11, 1995**

[54] FAUCET HANDLE

3,188,711 11/1962 Koppen 16/123 X

[75] Inventor: **Wolfgang Fabian, Mannheim, Germany**

OTHER PUBLICATIONS

American Standard Inc. Brochure, 1991 p. 6, Heritage Amaris-A, B.

[73] Assignee: **American Standard Inc., Piscataway, N.J.**

Primary Examiner—A. Hugo Word

Assistant Examiner—Eric M. Watterson

[**] Term: **14 Years**

Attorney, Agent, or Firm—Elaine Brenner Robinson;

Ann M. Knab

[21] Appl. No.: **21,017**

[57] CLAIM

[22] Filed: **Apr. 7, 1994**

The ornamental design for a faucet handle, as shown and described.

[52] U.S. Cl. **D23/252**

[58] Field of Search D23/238-243, D23/249-254; D8/308, 310; 251/291, 292; 4/675-678; 137/801; 16/110 R, 111 R, 114 R, 118, 121, 123, 125, DIG. 24, DIG. 30, DIG. 41

DESCRIPTION

FIG. 1 is a perspective view of a faucet handle showing my new design;

FIG. 2 is a top plan view thereof;

FIG. 3 is a front elevational view thereof;

FIG. 4 is a left side elevational view thereof, the right side view being a mirror image of the left side;

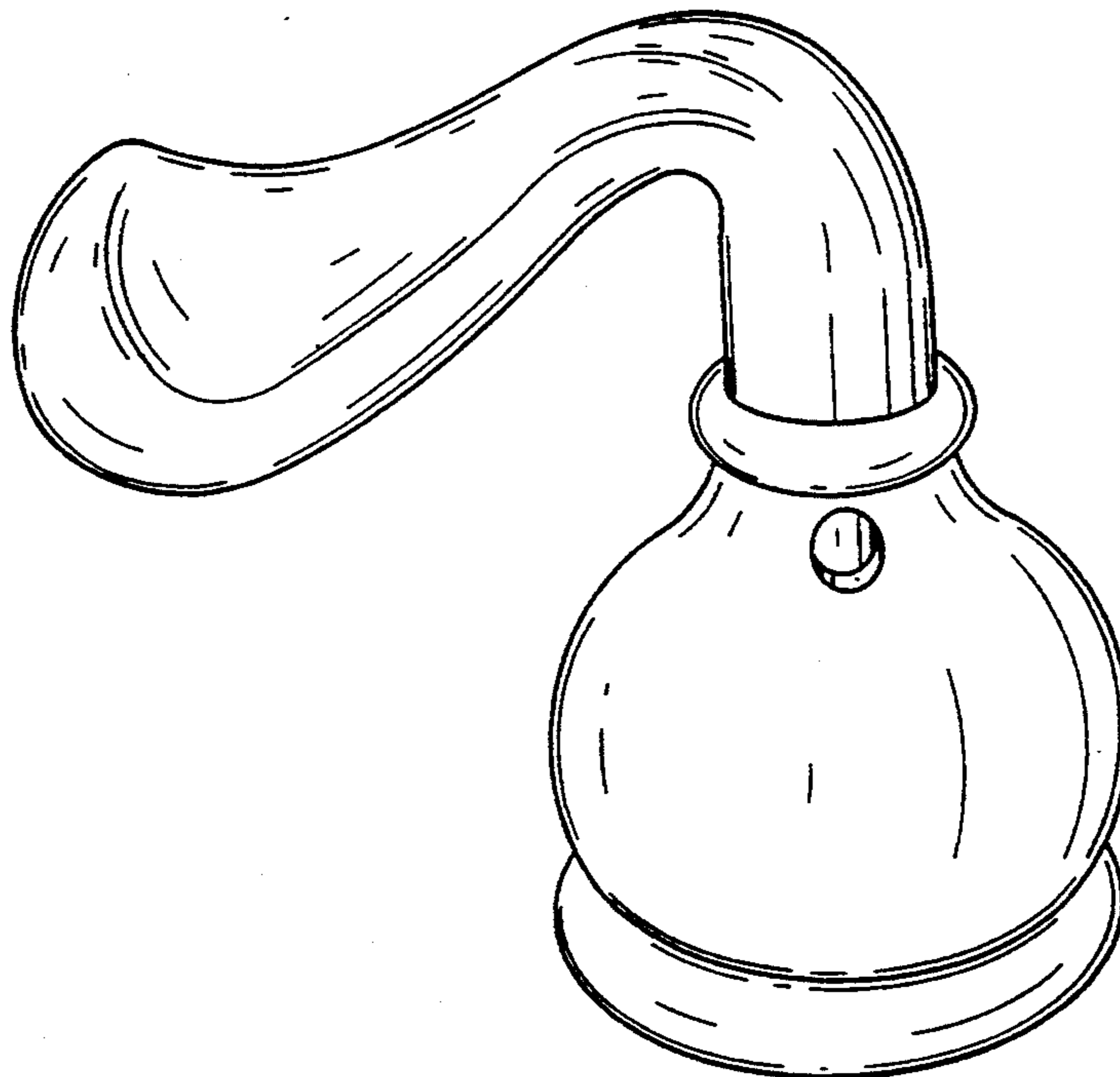
FIG. 5 is a rear elevational view thereof; and,

FIG. 6 is a bottom plan view thereof.

[56] References Cited

U.S. PATENT DOCUMENTS

D. 289,543	4/1987	Davis	D23/252
D. 327,532	6/1992	Ko	D23/252
2,830,618	4/1958	Mitchell	4/676



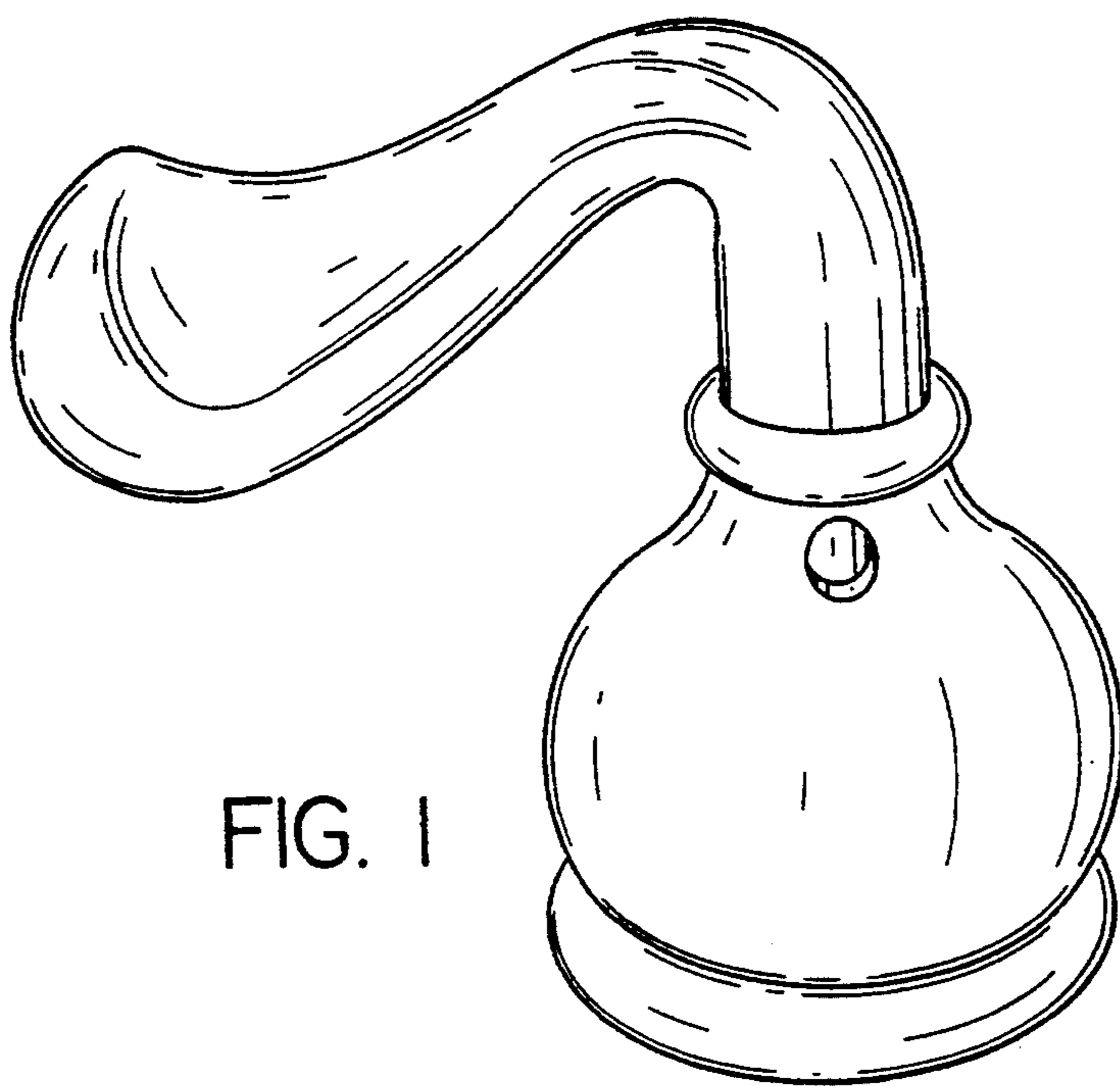


FIG. 1

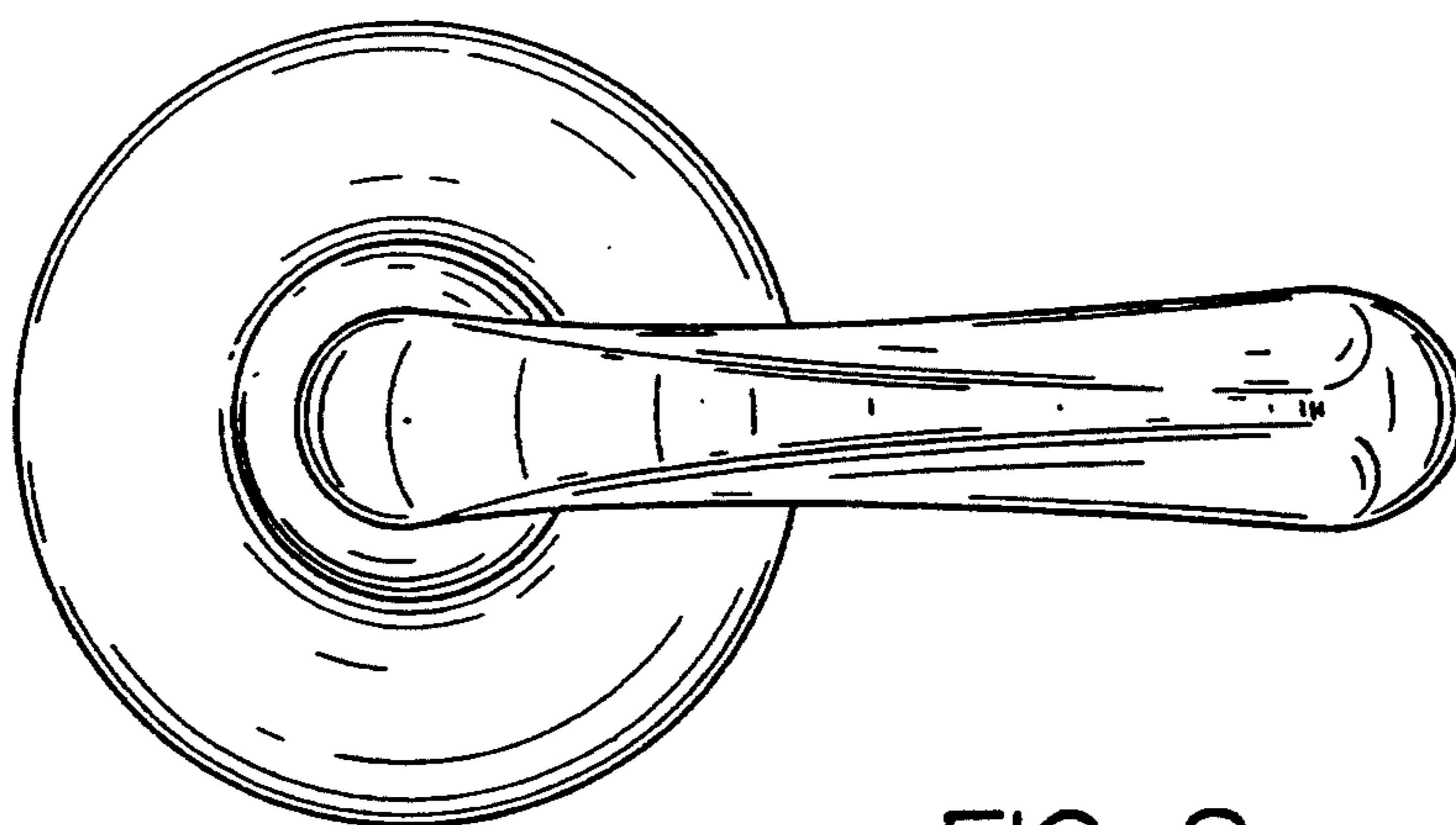


FIG. 2

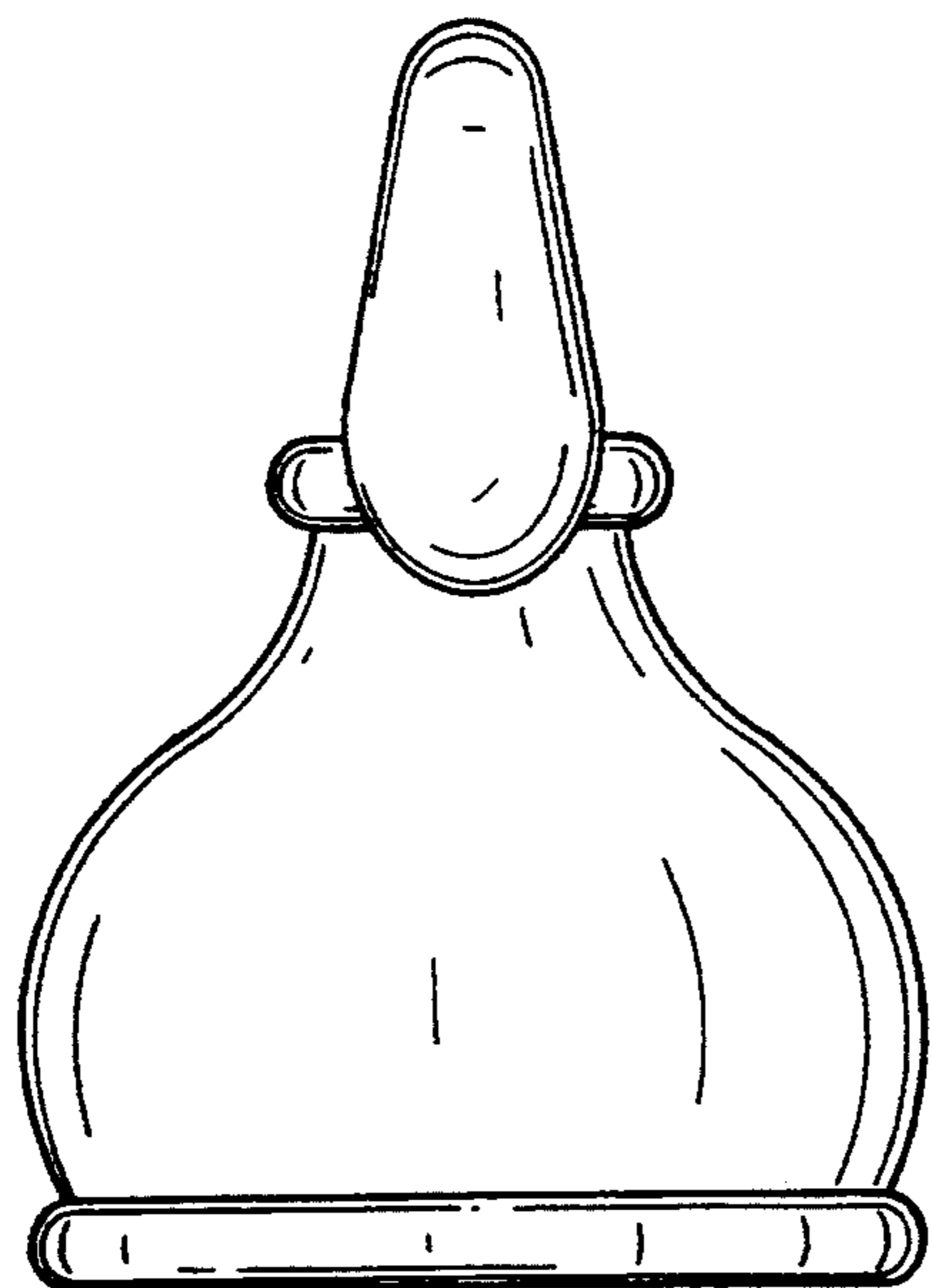


FIG. 3

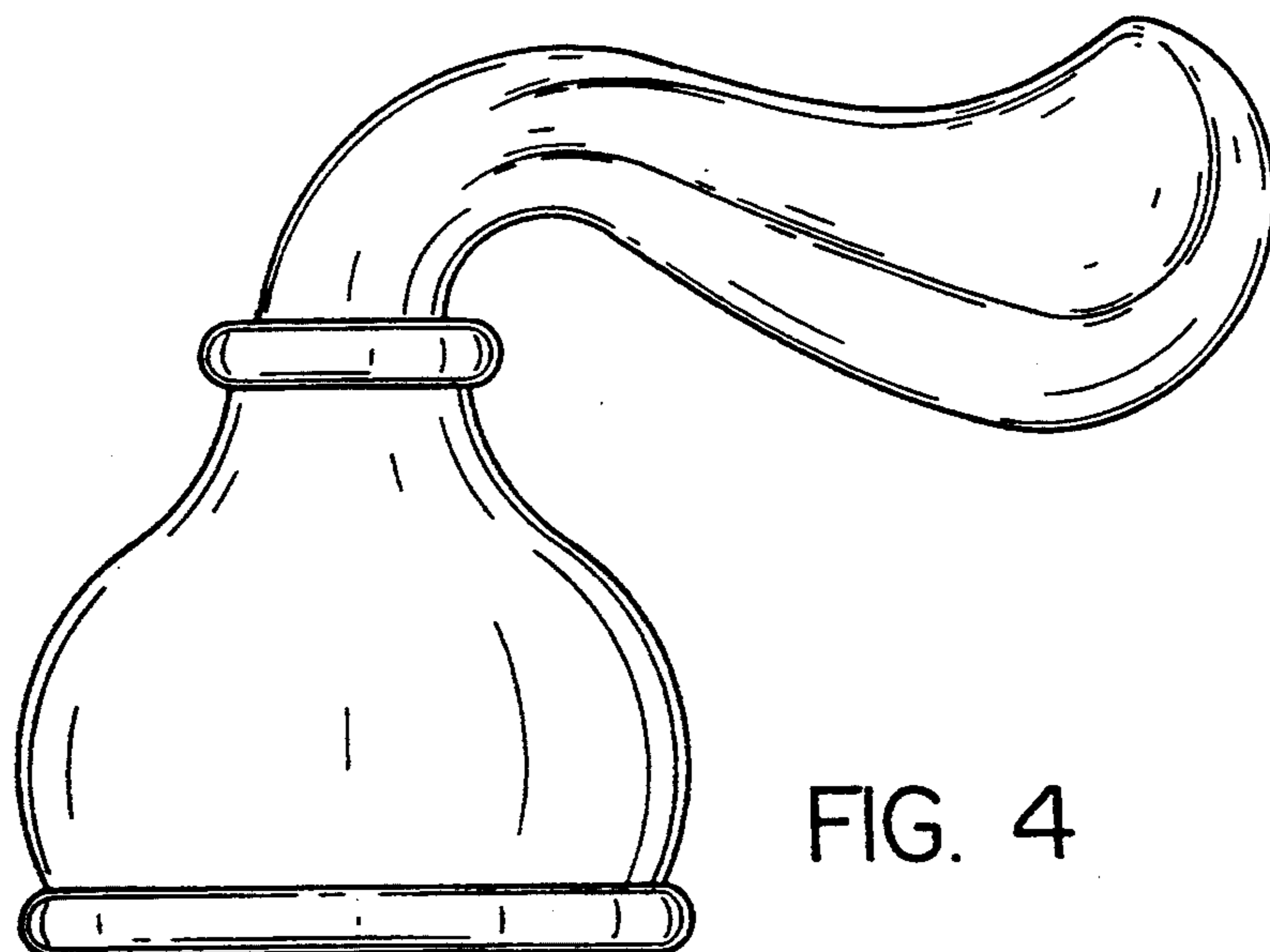


FIG. 4

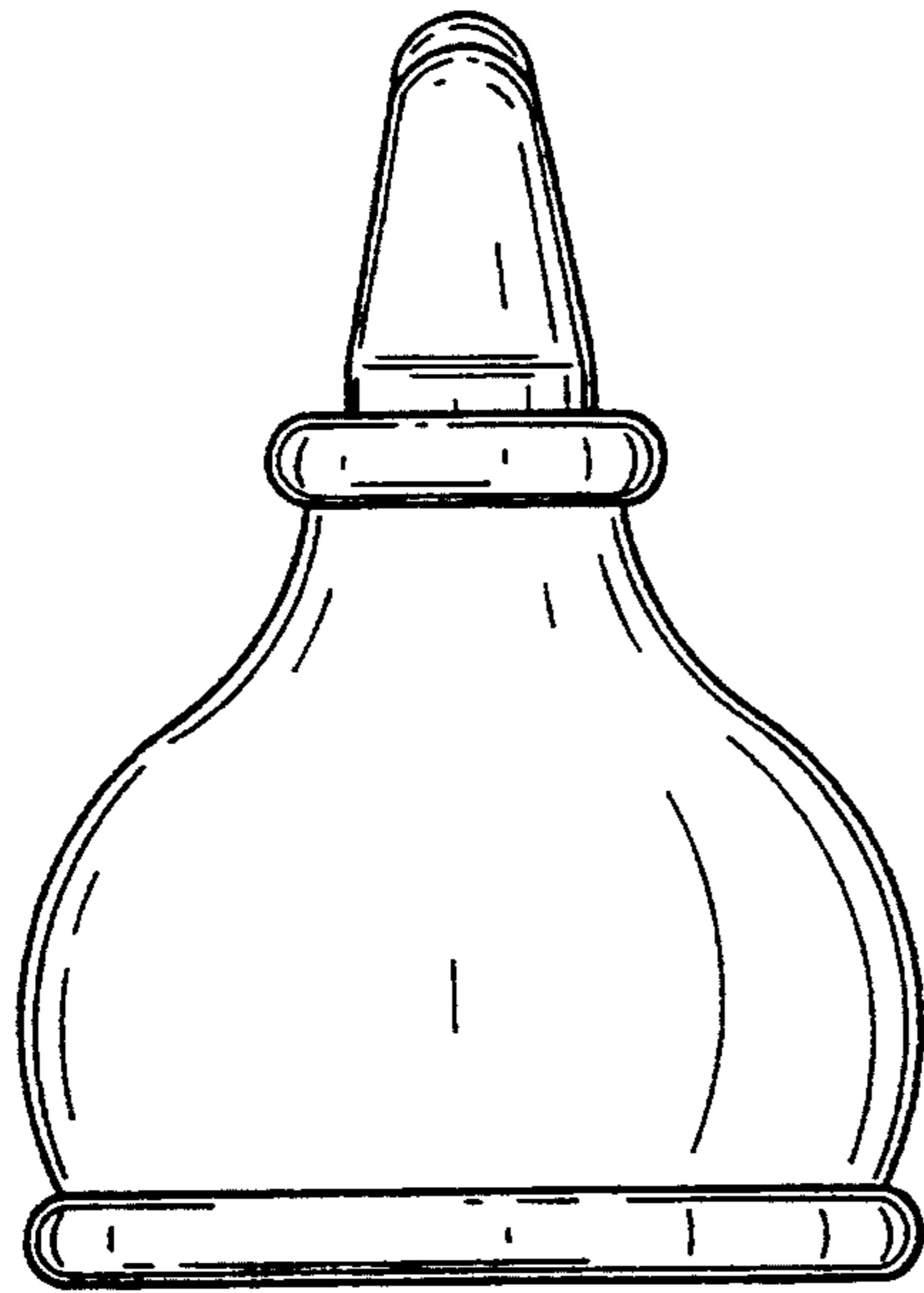


FIG. 5

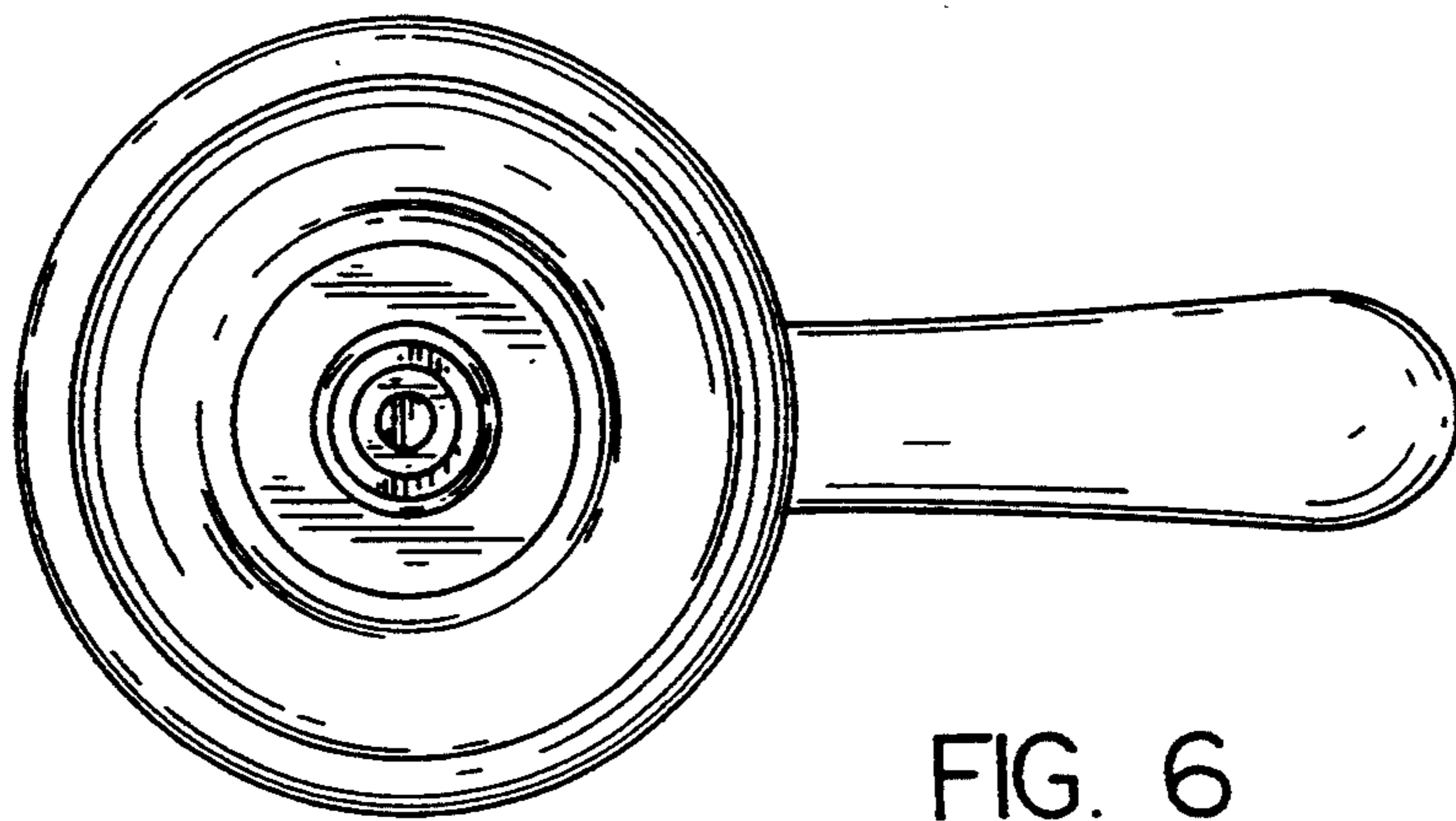


FIG. 6