



US00D357298S

United States Patent [19]

[11] Patent Number: **Des. 357,298**

Vines

[45] Date of Patent: **** Apr. 11, 1995**

[54] **GOLF TEACHING AID**

4,718,674 1/1988 Henry 273/186.1

[76] Inventor: **Charles A. Vines**, 360 E. 60th Dr.,
Merrillville, Ind. 46410

Primary Examiner—Melvin B. Feifer
Assistant Examiner—Cheri Cohen
Attorney, Agent, or Firm—Kevin A. Sembrat

[**] Term: **14 Years**

[57] **CLAIM**

[21] Appl. No.: **7,730**

The ornamental design for a golf teaching aid, as shown and described.

[22] Filed: **Apr. 30, 1993**

[52] U.S. Cl. **D21/234**

[58] Field of Search **D21/234; 273/187 A, 273/187 B, 187 R, 188 A, 188 R, 191 A, 191 R, 163 R, 192, 187.6, 186.1**

DESCRIPTION

[56] **References Cited**

U.S. PATENT DOCUMENTS

- D. 244,791 6/1977 Sullivan, Jr. D21/234
- D. 312,116 11/1990 Spagnola D21/234
- 4,544,160 10/1985 Miner 273/186.1

FIG. 1 is a perspective view of the golf teaching aid showing my new design;
 FIG. 2 is an enlarged fragmented perspective view taken along line 2—2 thereof;
 FIG. 3 is an enlarged fragmented perspective view taken along line 3—3 thereof; and,
 FIG. 4 is an enlarged fragmented perspective view taken along line 4—4 thereof.

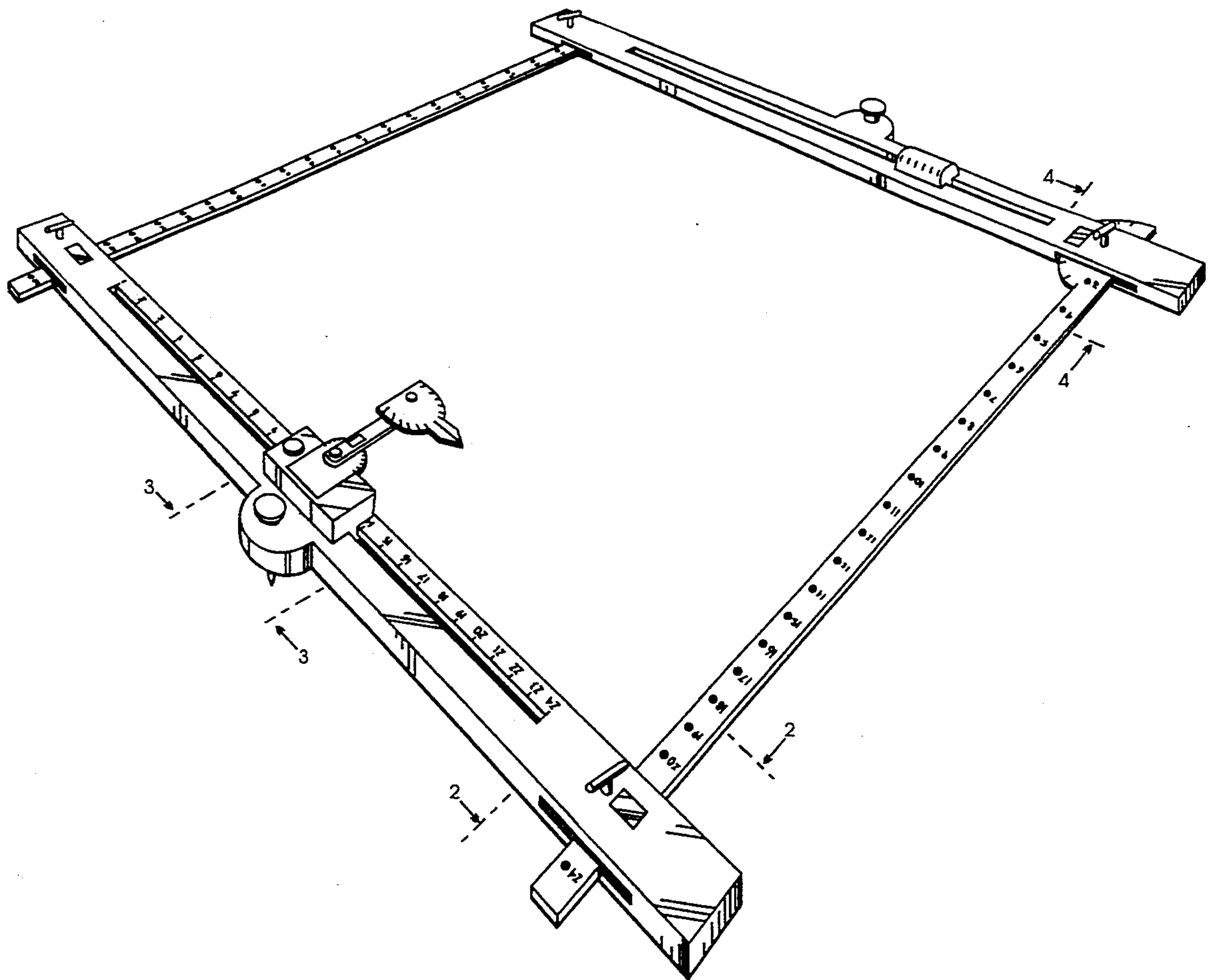


Fig. 1

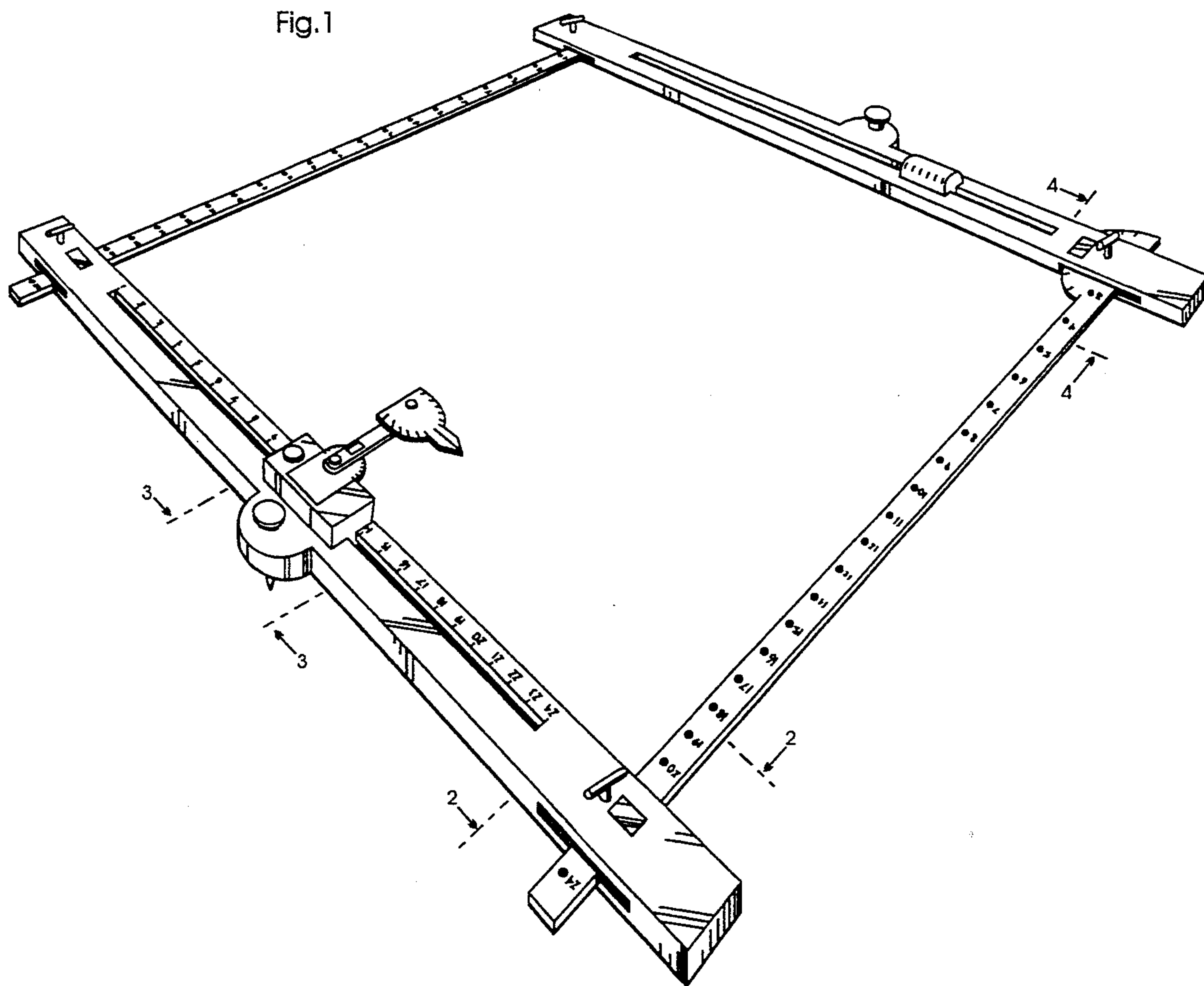


Fig.2

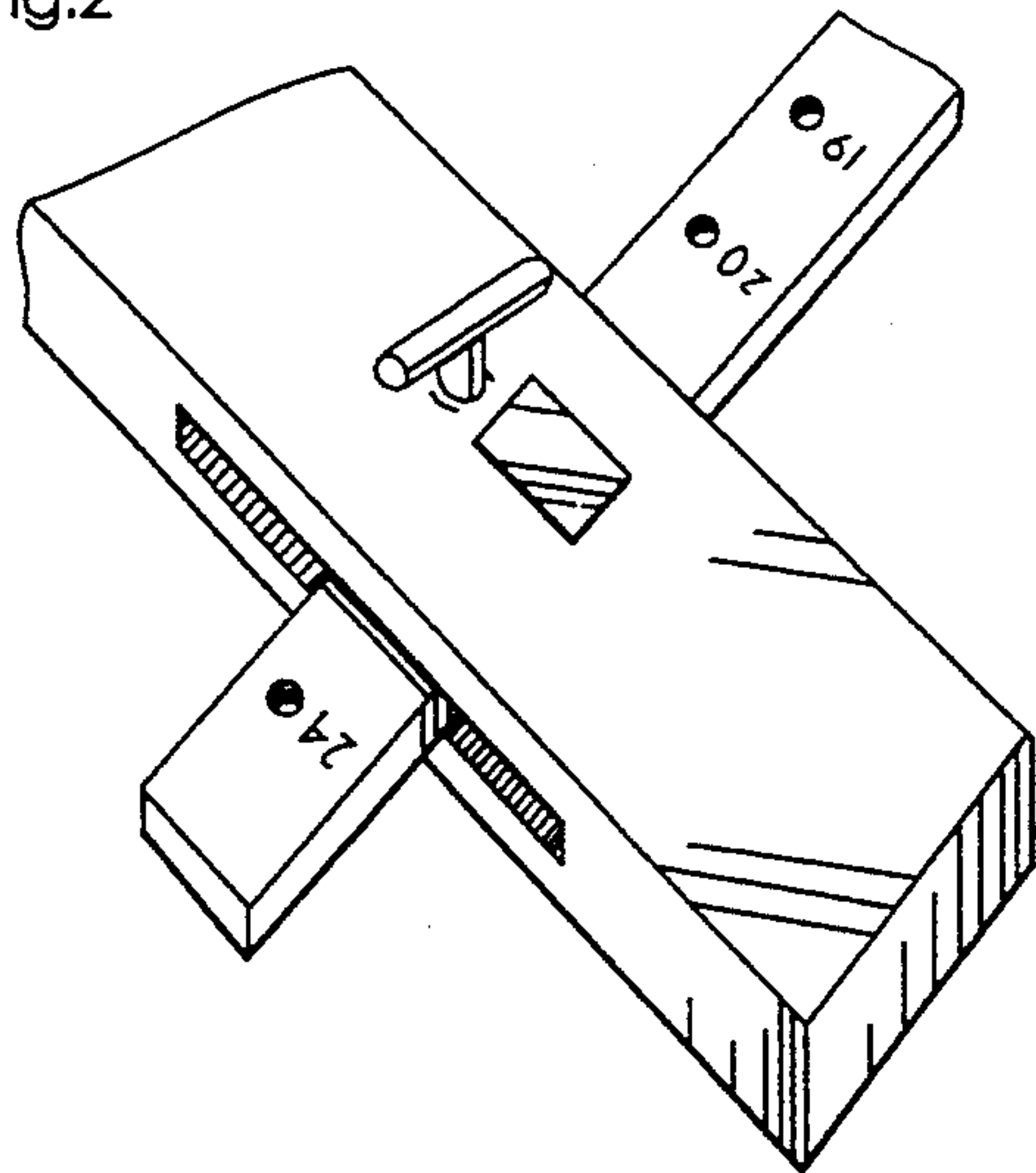


Fig.3

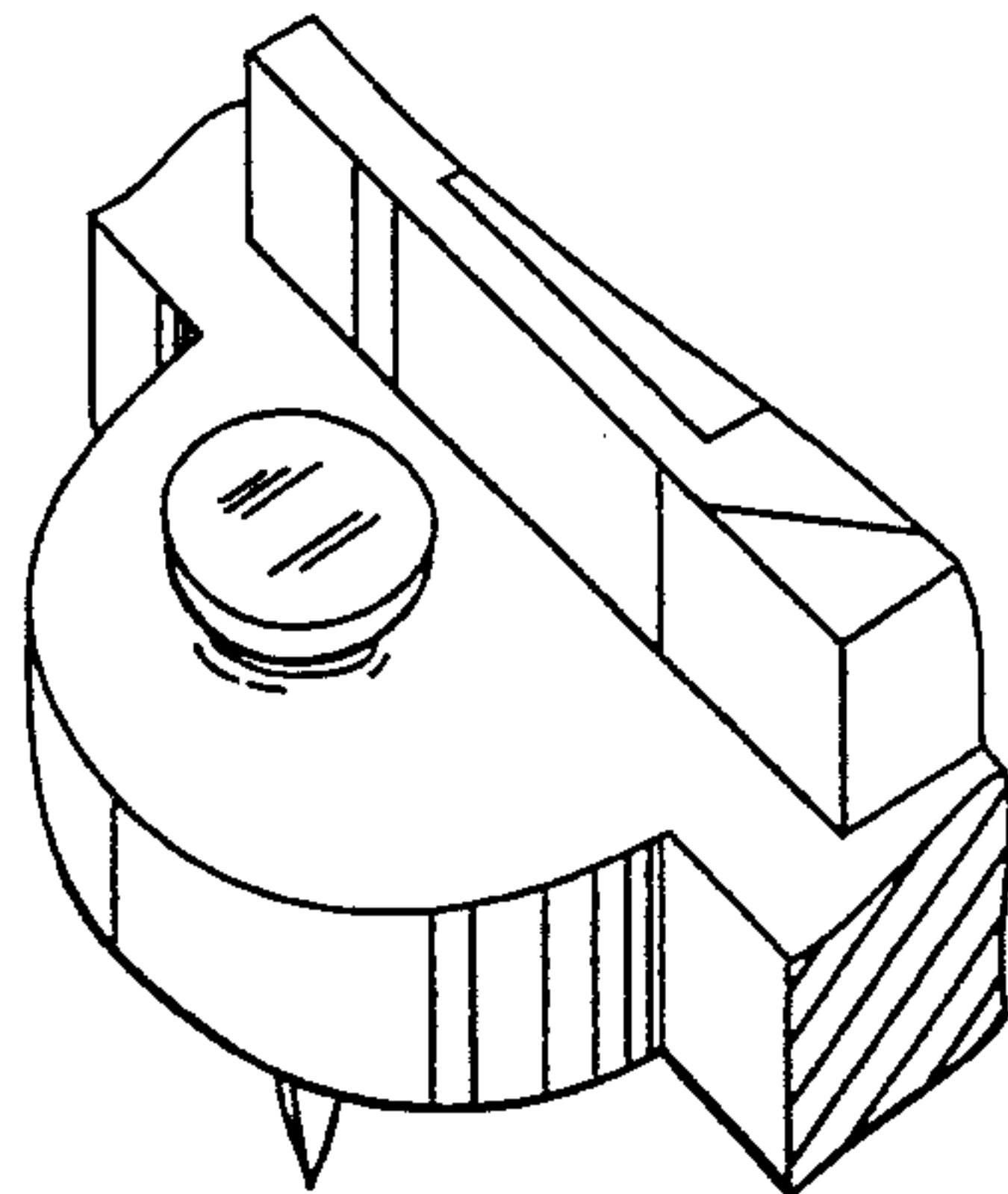


Fig.4

