



US00D357296S

United States Patent [19]

[11] Patent Number: Des. 357,296

Sims

[45] Date of Patent: ** Apr. 11, 1995

[54] SNOWBOARD BINDING

Attorney, Agent, or Firm—Knobbe, Martens, Olson & Bear

[76] Inventor: Thomas P. Sims, 340 Calle Liptizana, Goleta, Calif. 93117

[57] CLAIM

[**] Term: 14 Years

The ornamental design for a snowboard binding, as shown and described.

[21] Appl. No.: 17,662

DESCRIPTION

[22] Filed: Jan. 18, 1994

[52] U.S. Cl. D21/230; D21/229

[58] Field of Search D21/230, 229; 280/617, 280/14.2, 607

FIG. 1 is a side perspective view of the design of my present invention as it appears when used with a toe strap, an ankle strap and a heel loop, which are shown in phantom lines for illustrative purposes only;

FIG. 2 is a top plan view thereof;

FIG. 3 is a rear end view thereof;

FIG. 4 is a right side view thereof;

FIG. 5 is a left side view thereof;

FIG. 6 is a bottom plan view thereof;

FIG. 7 is a rear cross sectional view of the present invention at the location of the toe strap, with the toe strap shown in phantom lines; and,

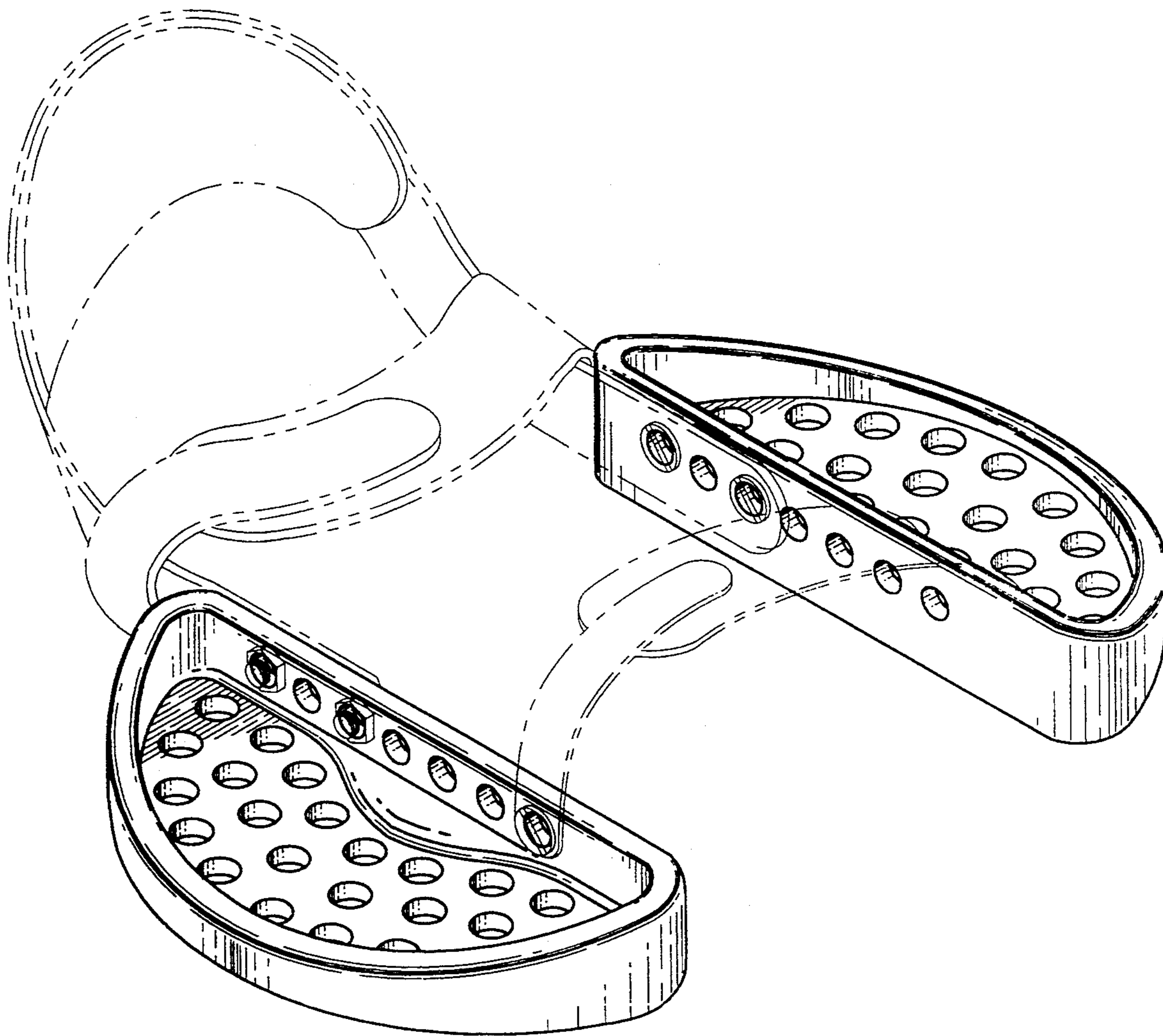
FIG. 8 is a side perspective view of a second embodiment thereof.

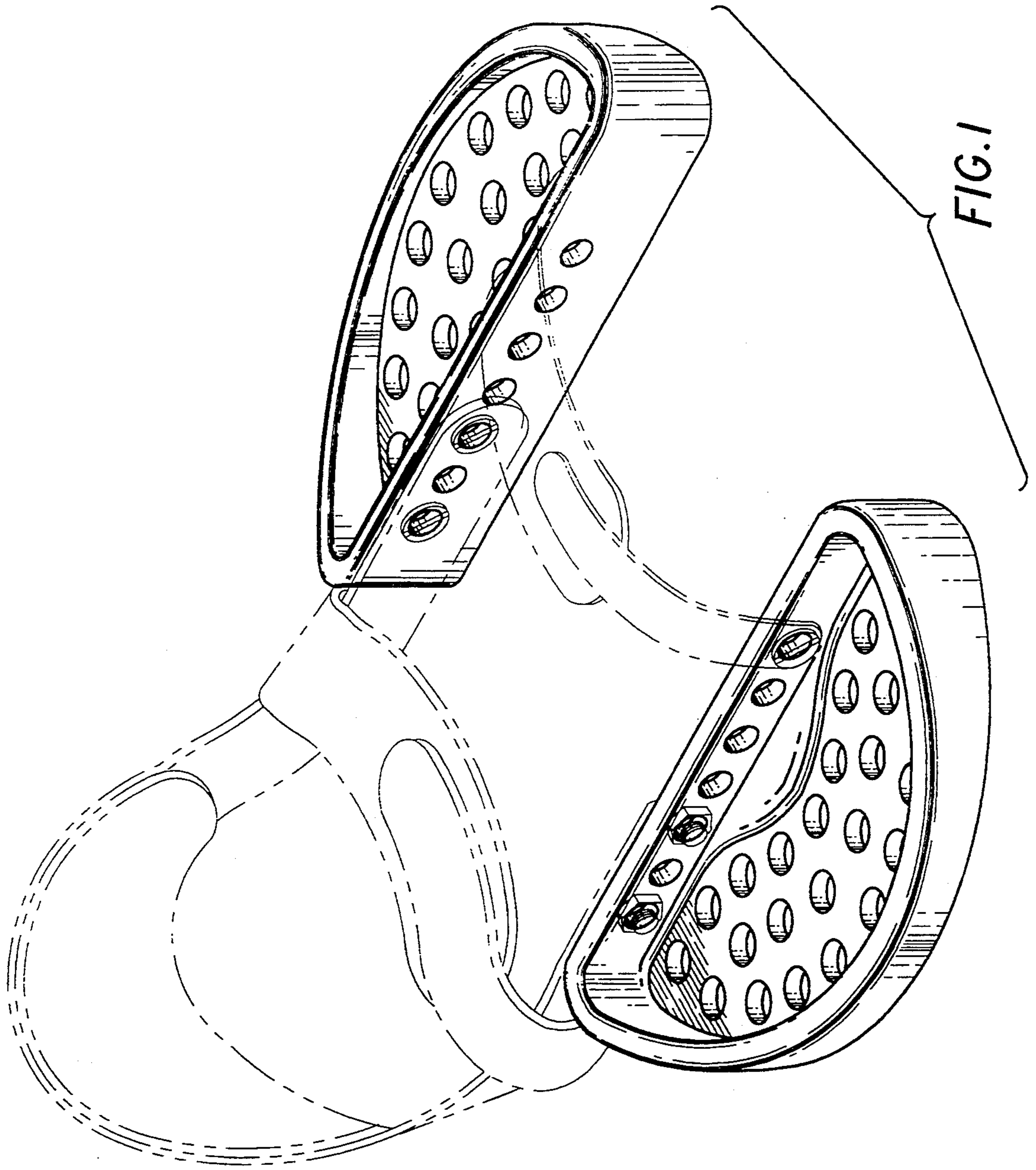
[56] References Cited

U.S. PATENT DOCUMENTS

- D. 308,997 7/1990 Katz D21/230
- D. 346,419 4/1994 Carpenter D21/120
- 5,261,689 11/1993 Carpenter et al. 280/14.2

Primary Examiner—Kay H. Chin





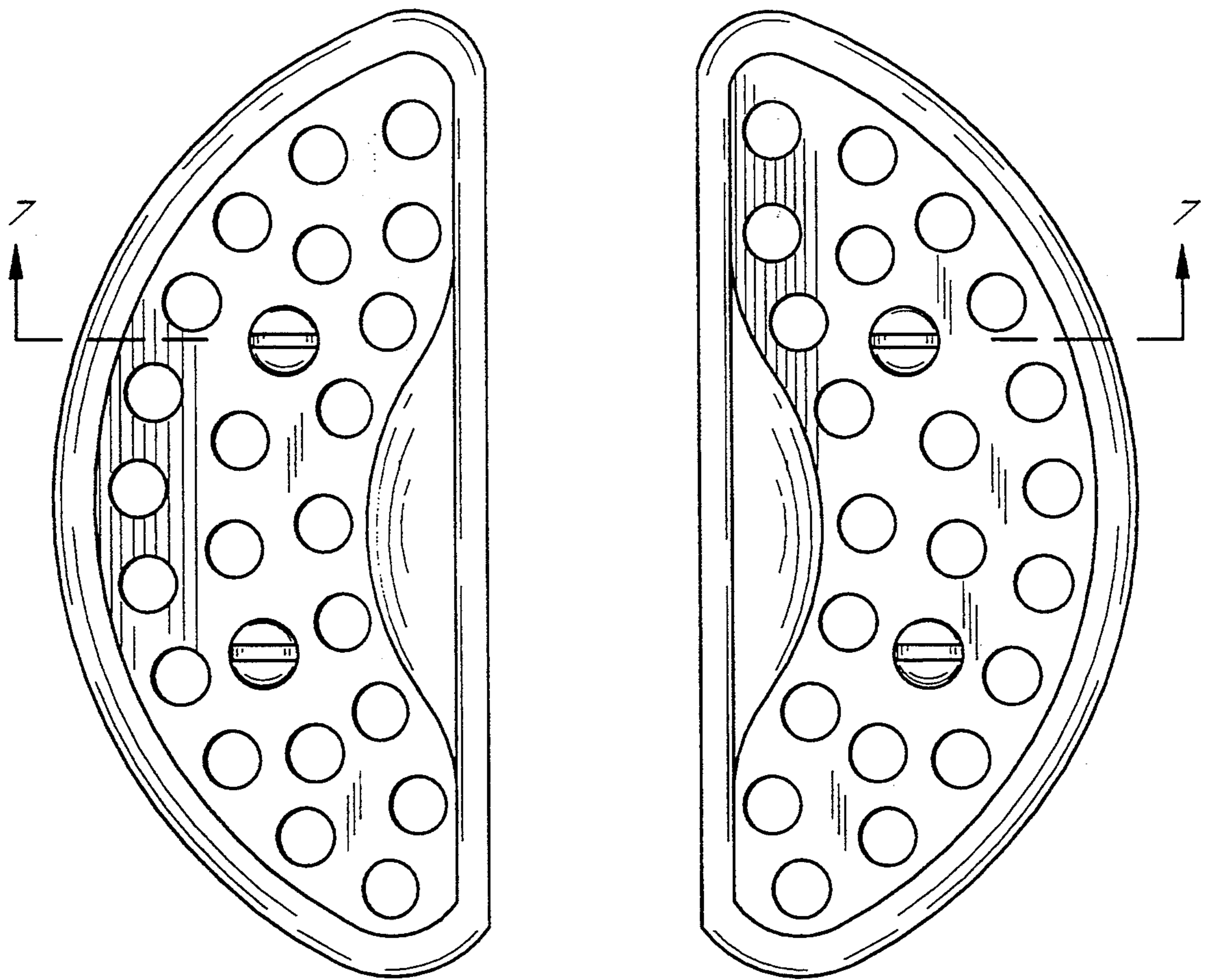


FIG. 2

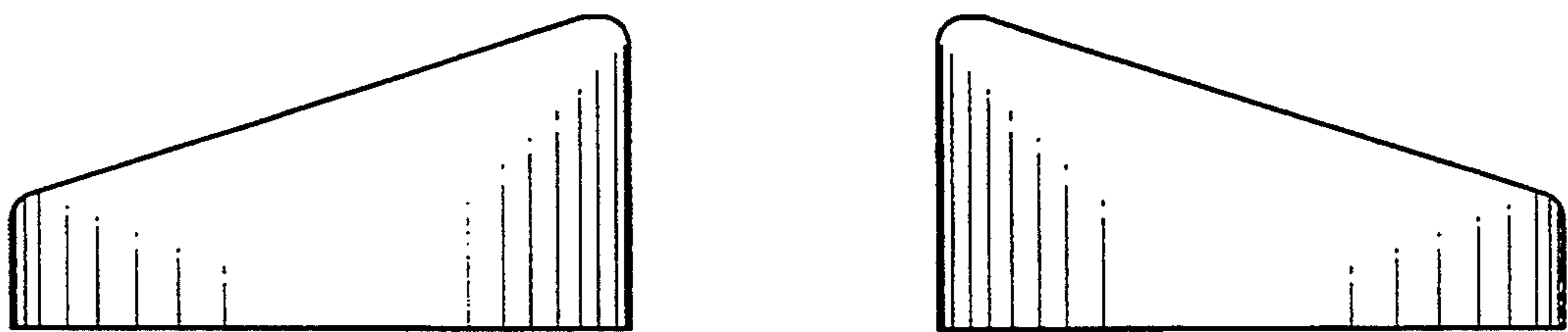


FIG. 3

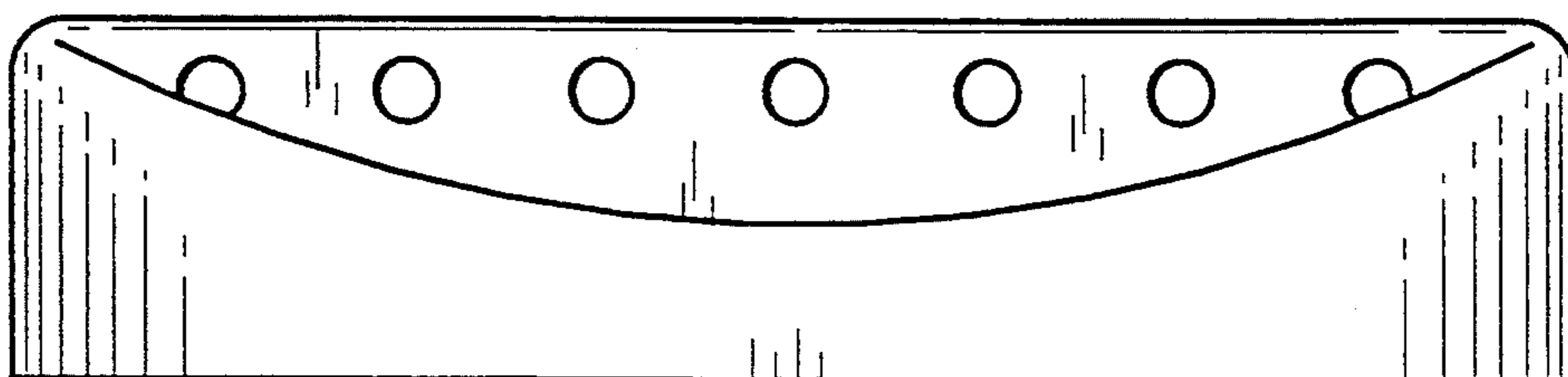


FIG. 4

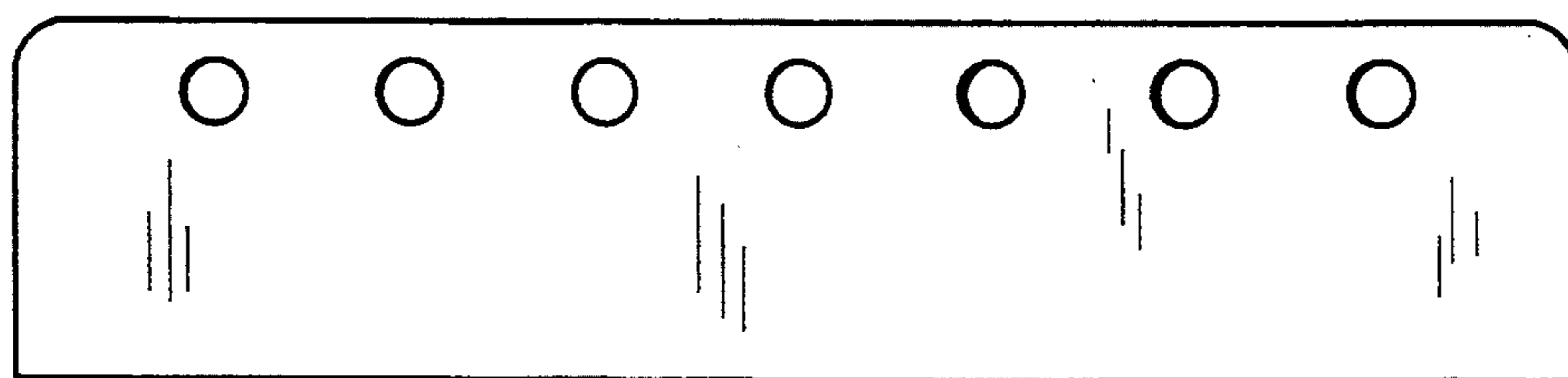


FIG. 5

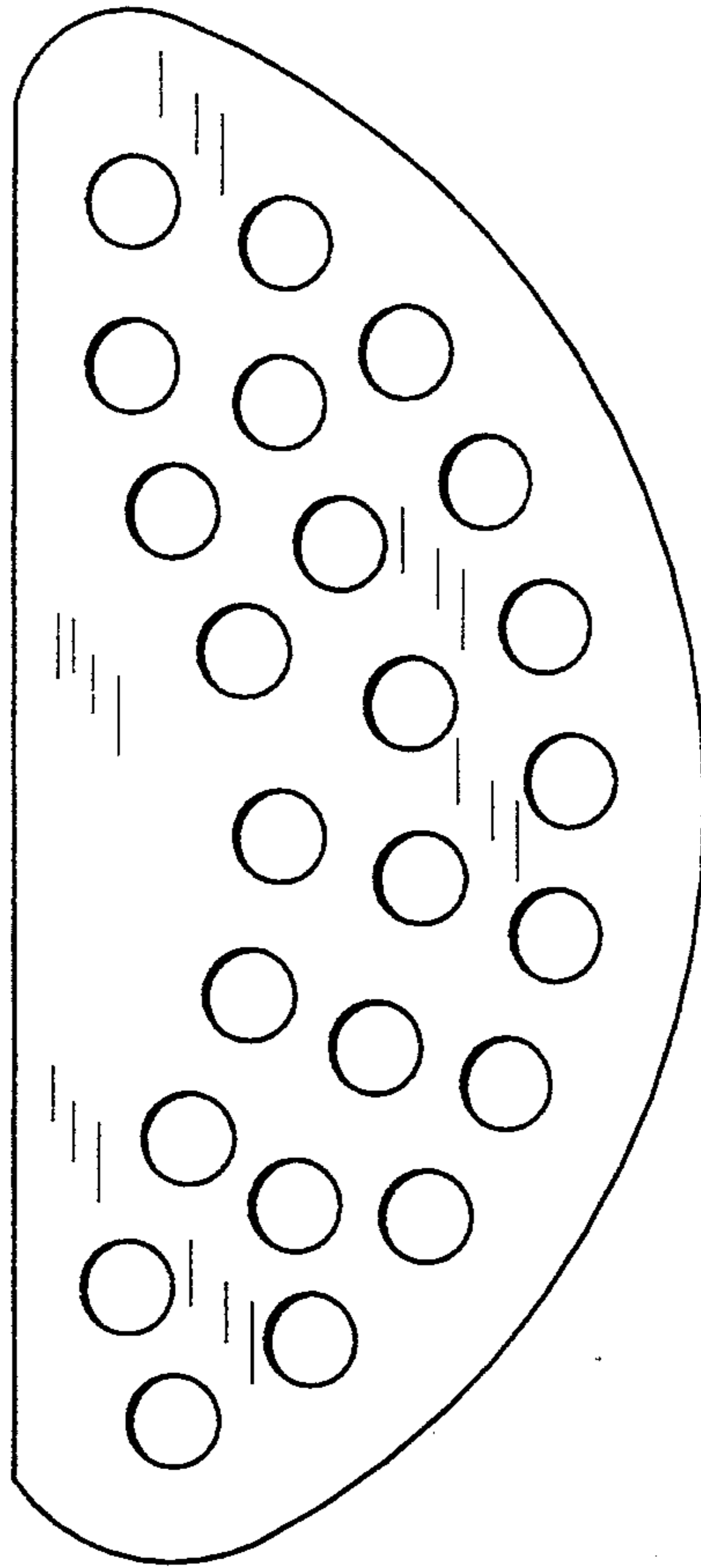


FIG. 6

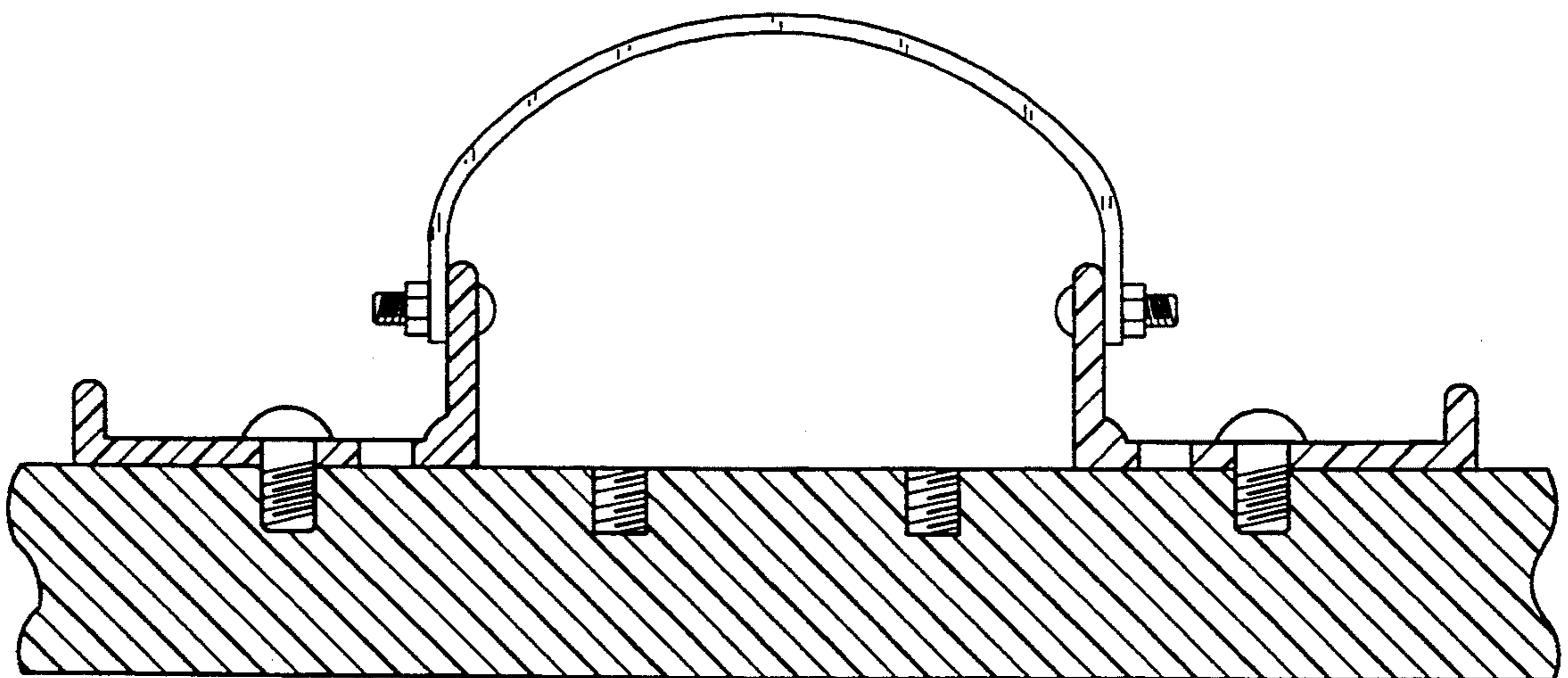


FIG. 7

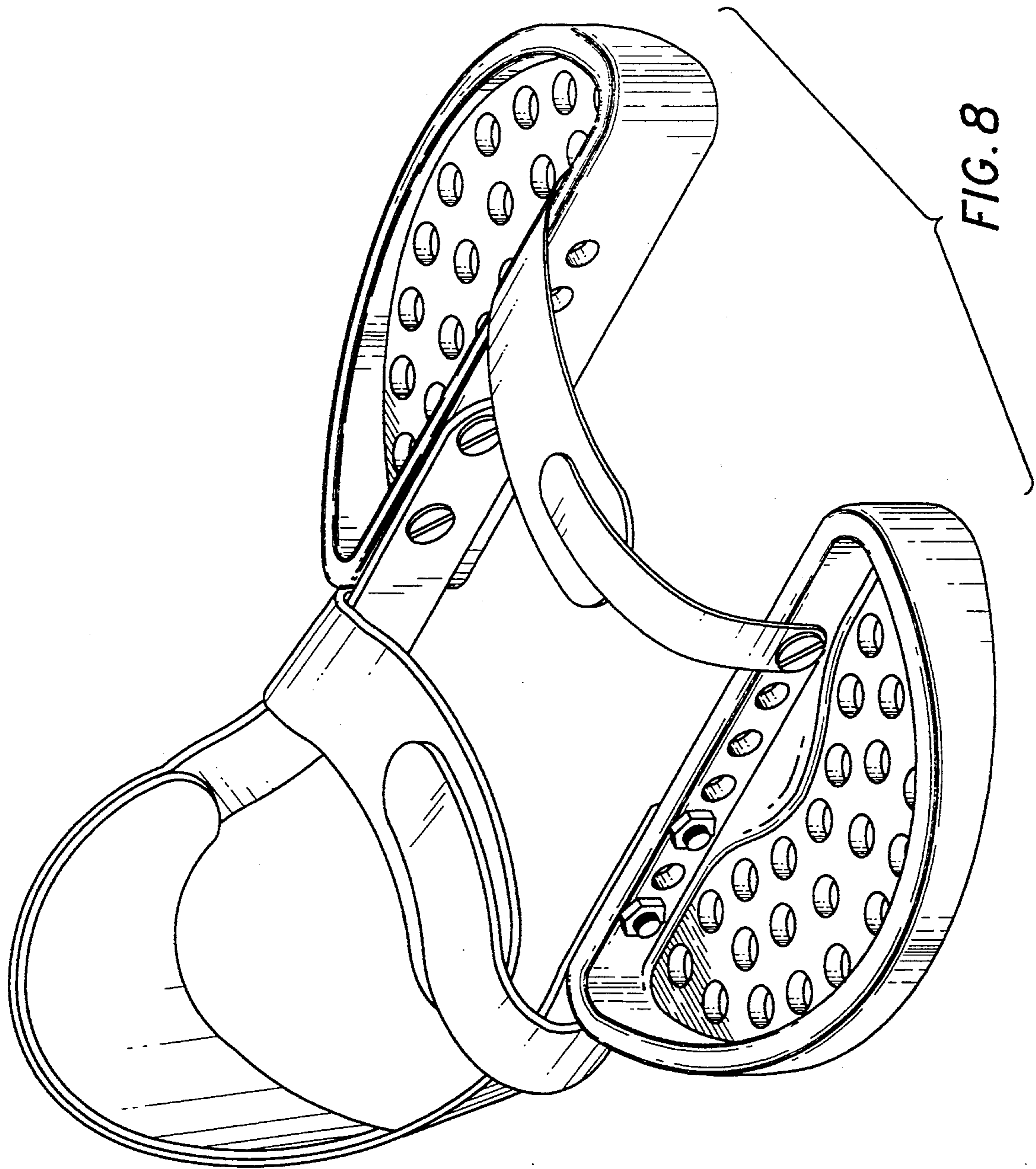


FIG. 8