



US00D357293S

United States Patent [19]
Solheim

[11] **Patent Number: Des. 357,293**
[45] **Date of Patent: ** Apr. 11, 1995**

[54] **GOLF CLUB HEAD**

[75] **Inventor: Karsten Solheim, Phoenix, Ariz.**

[73] **Assignee: Karsten Manufacturing Corp., Phoenix, Ariz.**

[*] **Notice: The portion of the term of this patent subsequent to Jan. 26, 2007 has been disclaimed.**

[**] **Term: 14 Years**

[21] **Appl. No.: 13,964**

[22] **Filed: Oct. 7, 1993**

Related U.S. Application Data

[63] **Continuation-in-part of Ser. No. 3,556, Jan. 12, 1993, Pat. No. D. 344,778.**

[52] **U.S. Cl. D21/220**

[58] **Field of Search D21/220; 273/167-175**

[56] **References Cited**

U.S. PATENT DOCUMENTS

D. 276,644	12/1984	Solheim	D21/220
D. 303,132	8/1989	Muta	D21/220
4,512,577	4/1985	Solheim	273/77 A
4,621,813	11/1986	Solheim	273/77 A
4,802,672	2/1989	Long	273/167 F
5,026,056	6/1991	McNally et al.	273/77 A

Primary Examiner—Terry A. Wallace
Assistant Examiner—Mitchell I. Siegel
Attorney, Agent, or Firm—Darrell F. Marquette;
Herbert E. Haynes, Jr.

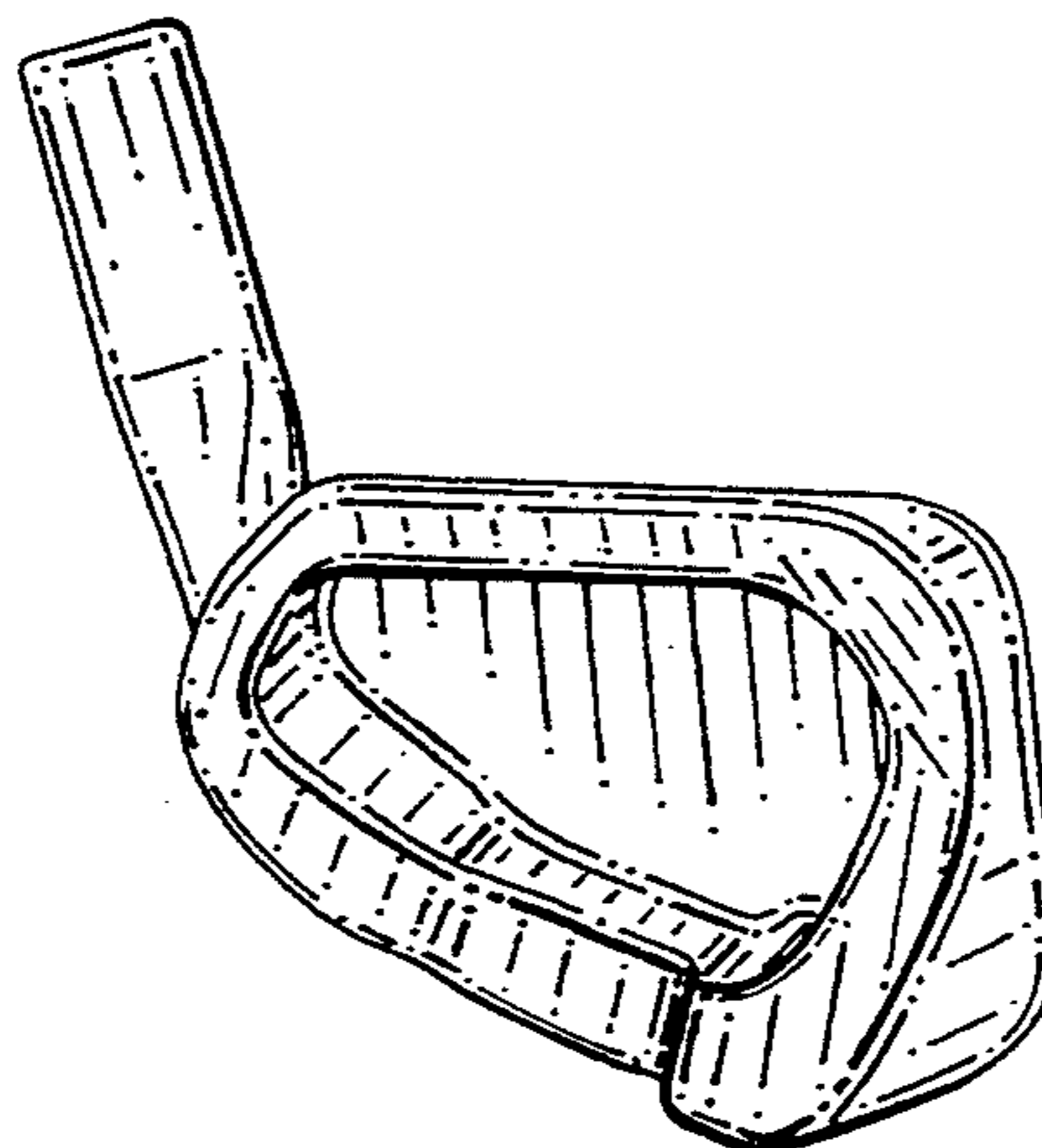
[57] **CLAIM**

The ornamental design for a golf club head, as shown and described.

DESCRIPTION

FIG. 1 is a perspective view of a 2-iron golf club head embodying my new design;
FIG. 2 is a toe end elevational view of the golf club head shown in FIG. 1;
FIG. 3 is a heel end elevational view of the golf club head shown in FIG. 1;
FIG. 4 is a top plan view of the golf club head shown in FIG. 1;

FIG. 5 is a bottom view of the golf club head shown in FIG. 1;
FIG. 6 is a front elevational view of the golf club head shown in FIG. 1;
FIG. 7 is a rear elevational view of the golf club head shown in FIG. 1;
FIG. 8 is a perspective view of a 5-iron golf club head embodying my new design;
FIG. 9 is a toe end elevational view of the golf club head shown in FIG. 8;
FIG. 10 is a heel end elevational view of the golf club head shown in FIG. 8;
FIG. 11 is a top plan view of the golf club head shown in FIG. 8;
FIG. 12 is a bottom view of the golf club head shown in FIG. 8;
FIG. 13 is a front elevational view of the golf club head shown in FIG. 8;
FIG. 14 is a rear elevational view of the golf club head shown in FIG. 8;
FIG. 15 is a perspective view of the 9-iron golf club head embodying my new design;
FIG. 16 is a toe end elevational view of the golf club head shown in FIG. 15;
FIG. 17 is a heel end elevational view of the golf club head shown in FIG. 15;
FIG. 18 is a top plan view of the golf club head shown in FIG. 15;
FIG. 19 is a bottom view of the golf club head shown in FIG. 15;
FIG. 20 is a front elevational view of the golf club head shown in FIG. 15;
FIG. 21 is a rear elevational view of the golf club head shown in FIG. 15;
FIG. 22 is a perspective view of a pitching wedge golf club head embodying my new design;
FIG. 23 is a toe end elevational view of the golf club head shown in FIG. 22;
FIG. 24 is a heel end elevational view of the golf club head shown in FIG. 22;
FIG. 25 is a top plan view of the golf club head shown in FIG. 22;
FIG. 26 is a bottom view of the golf club head shown in FIG. 22;
FIG. 27 is a front elevational view of the golf club head shown in FIG. 22; and,
FIG. 28 is a rear elevational view of the golf club head shown in FIG. 22.



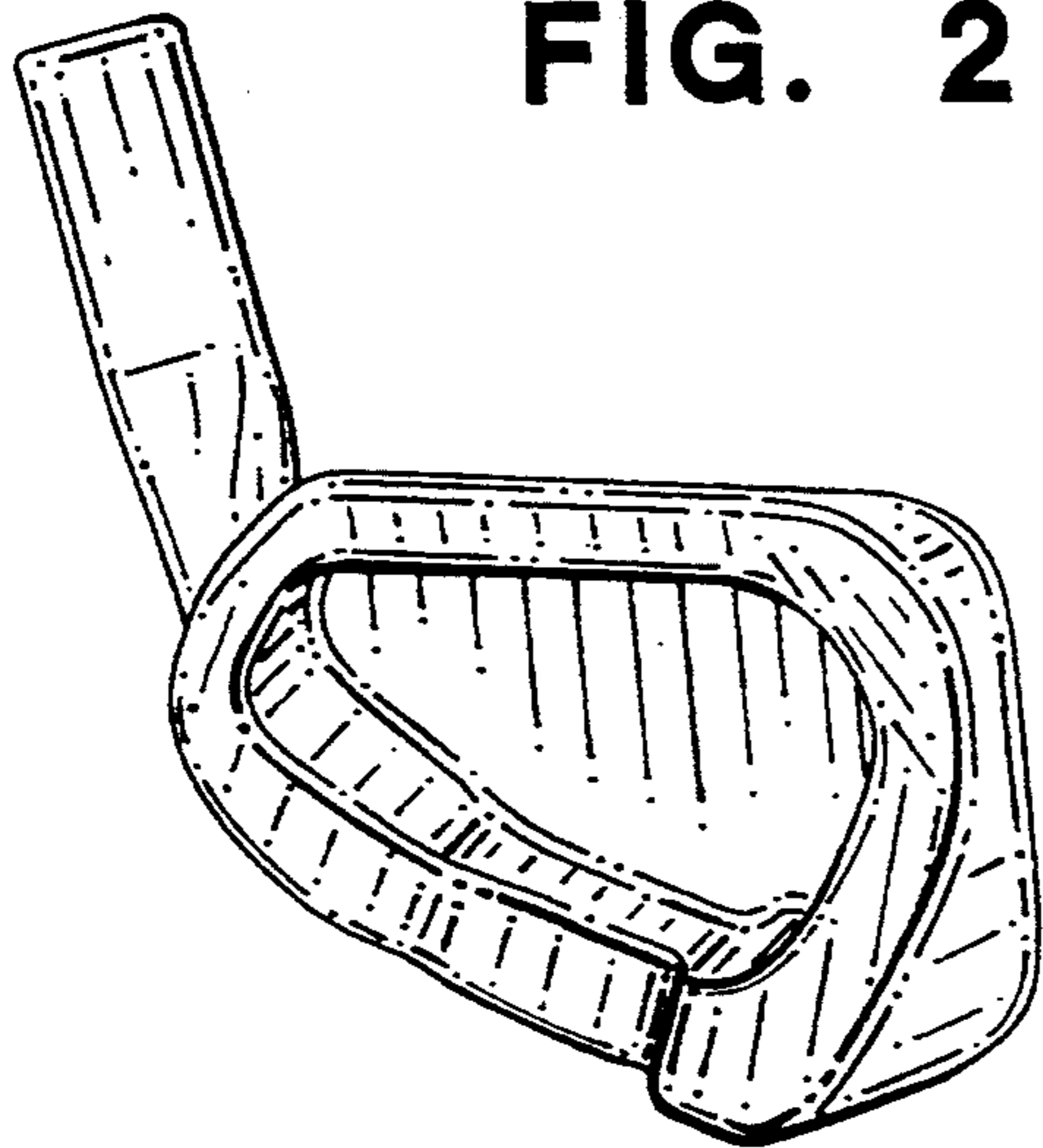


FIG. 1

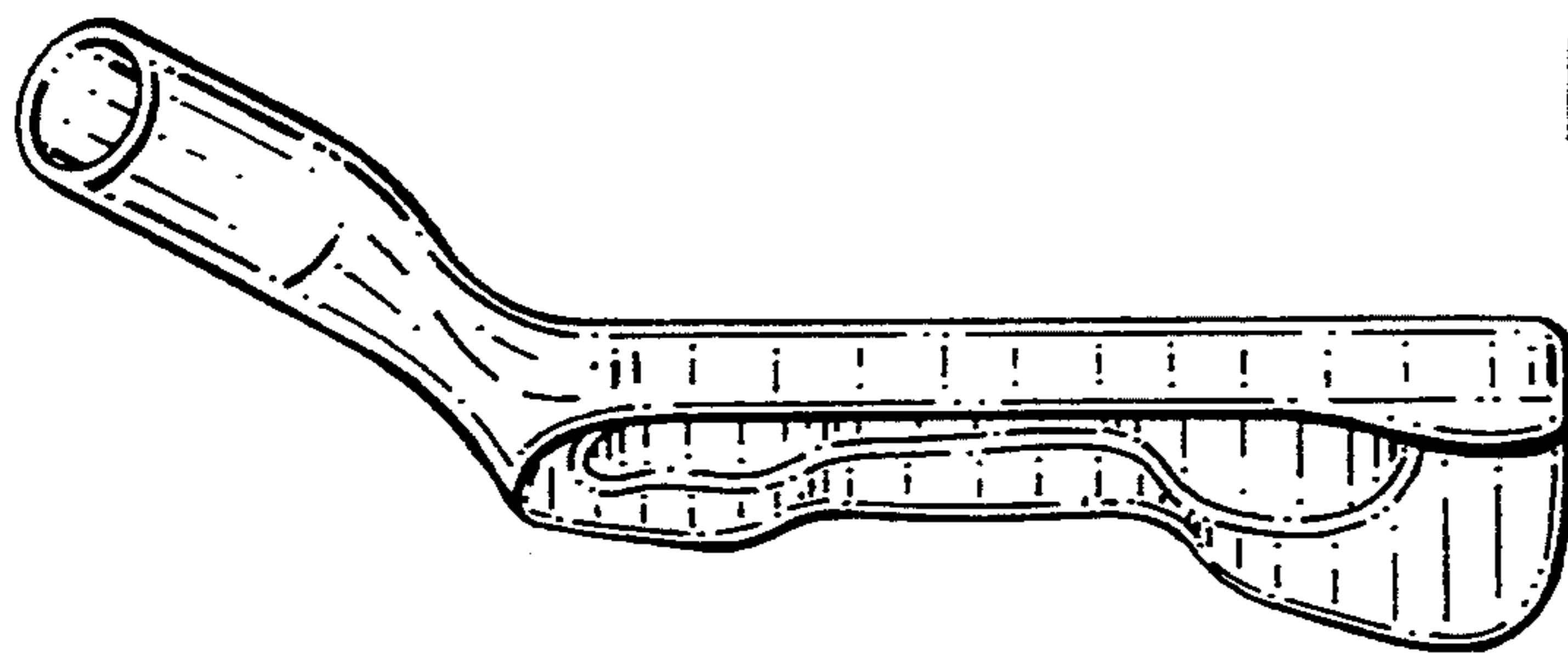


FIG. 4

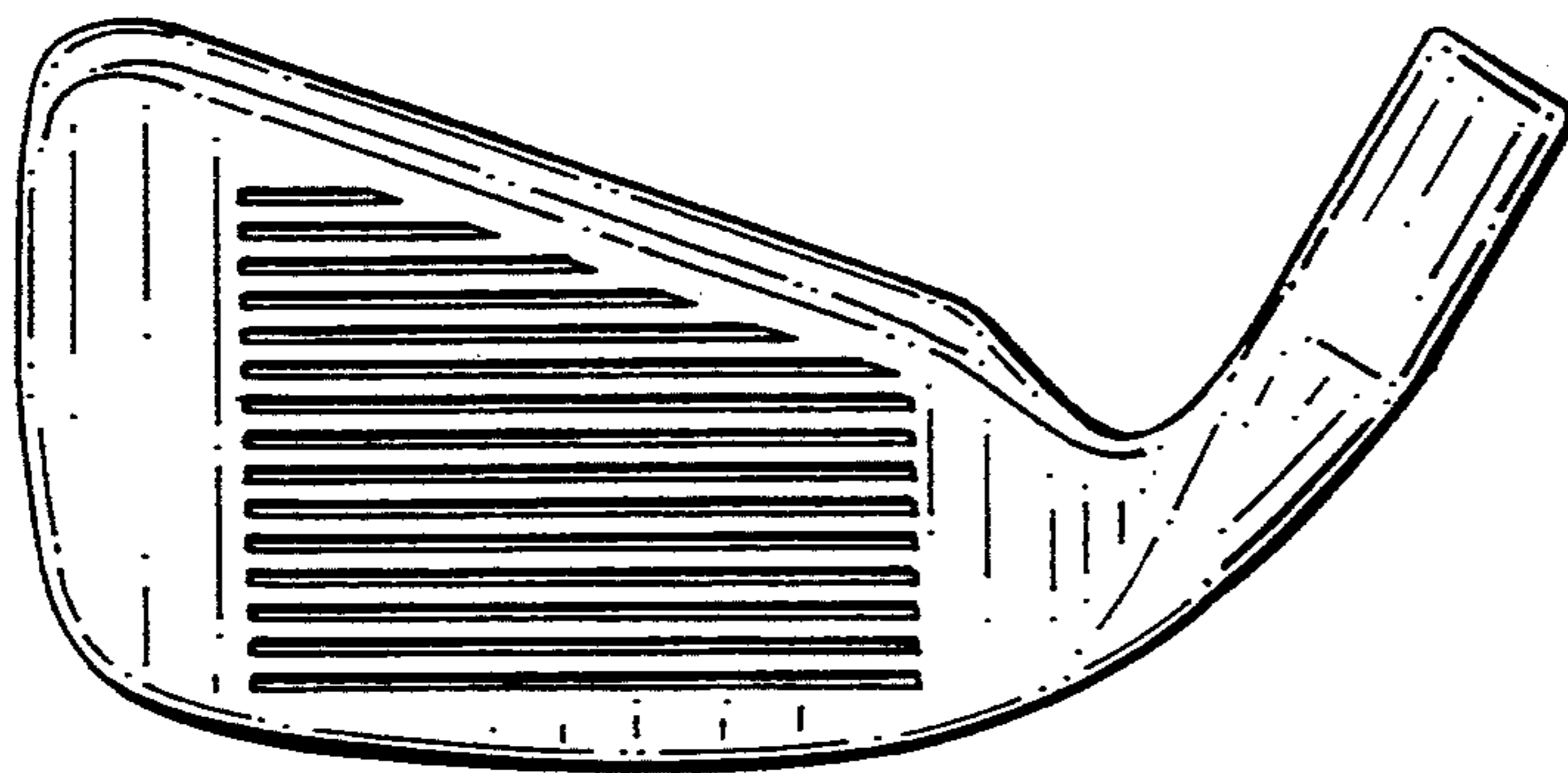


FIG. 6

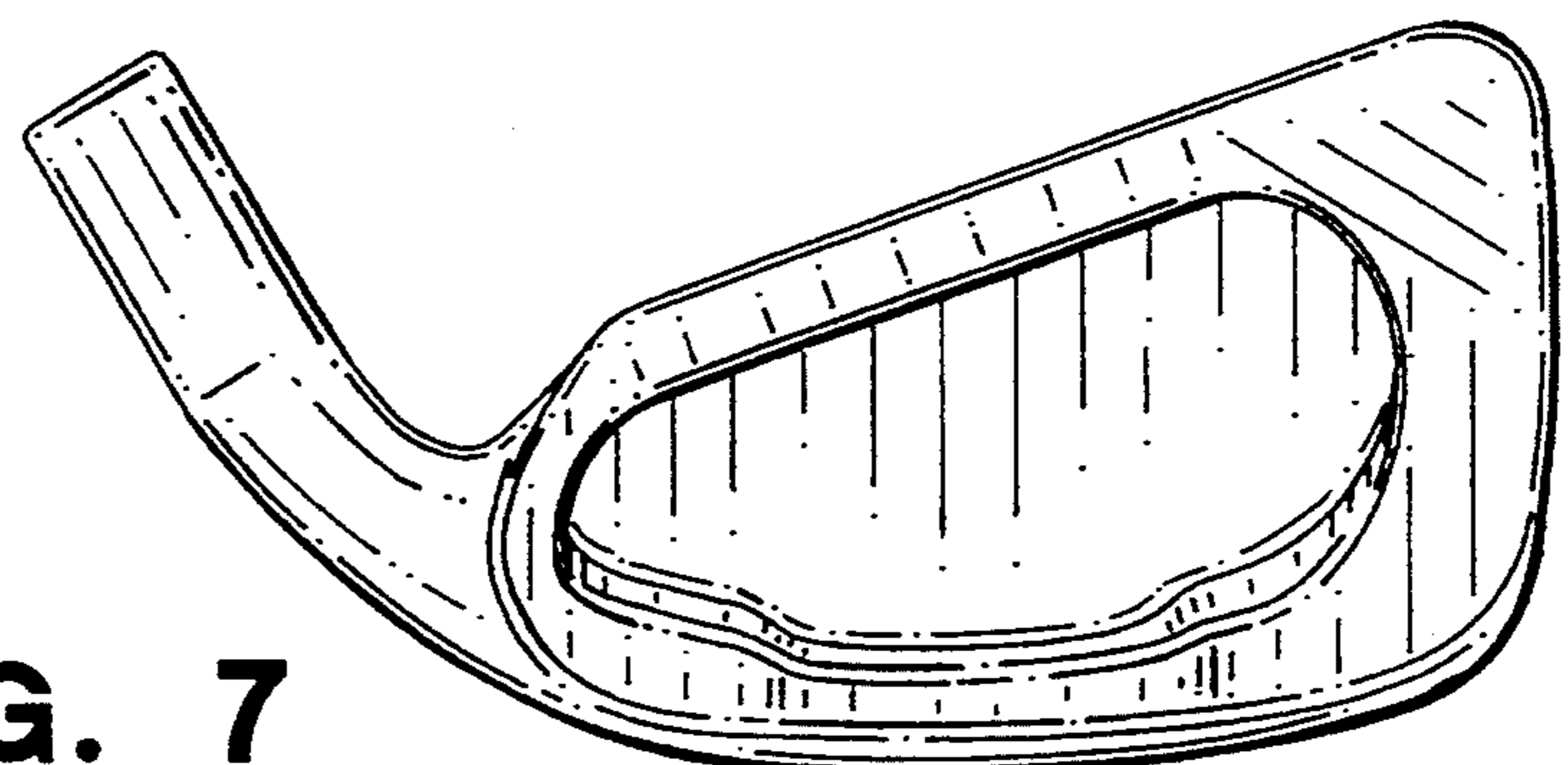


FIG. 7

FIG. 2

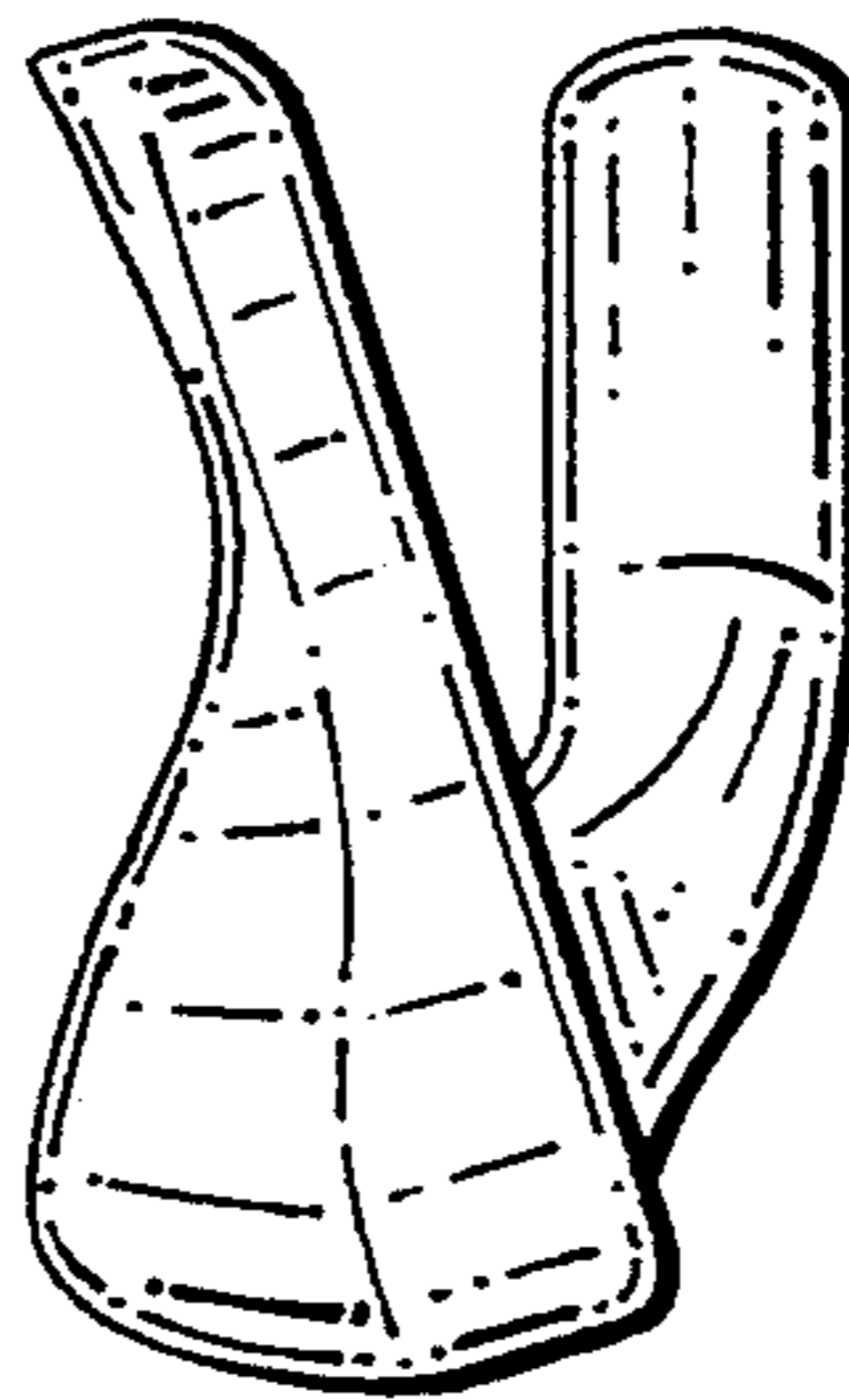


FIG. 3

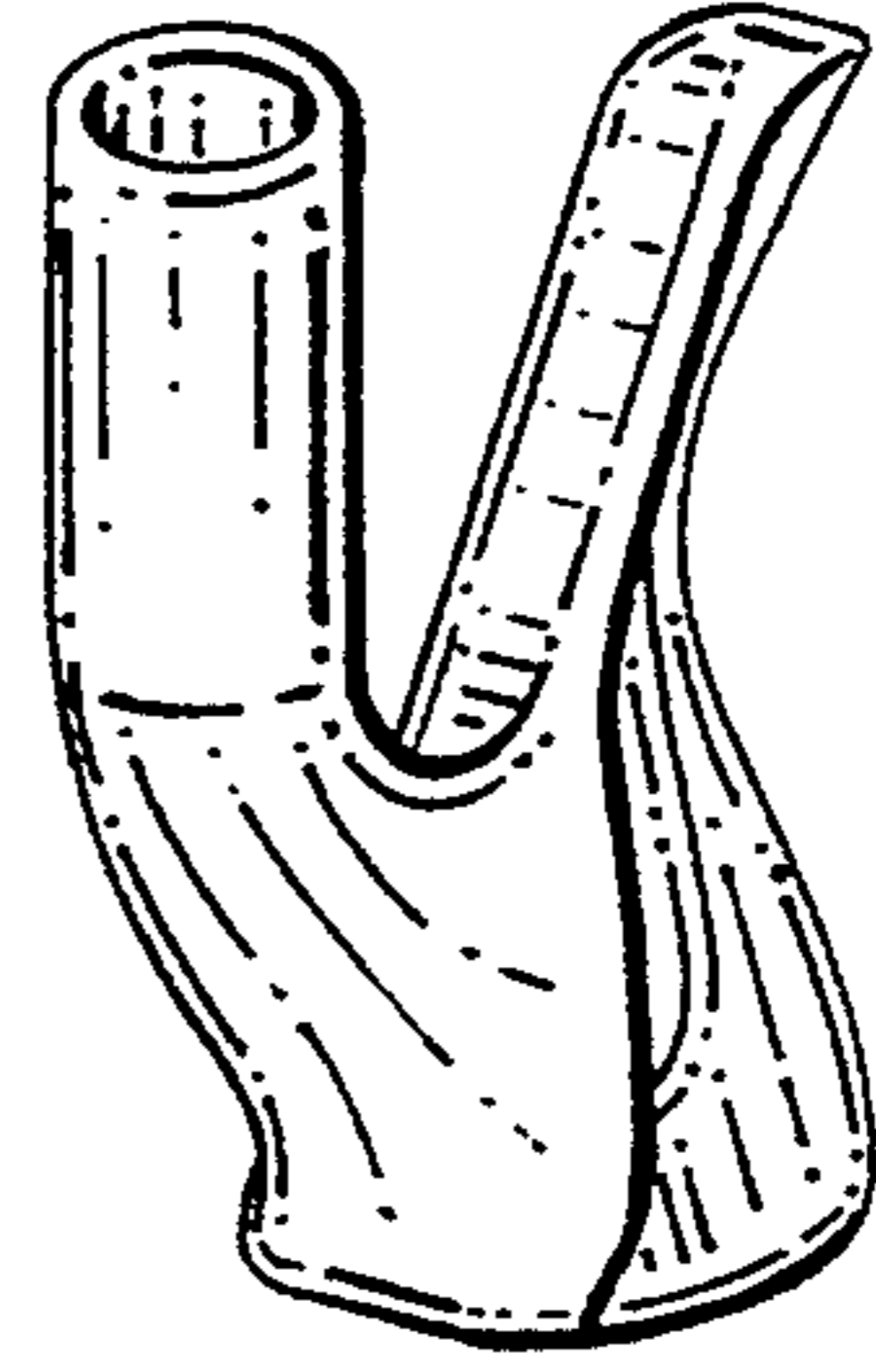
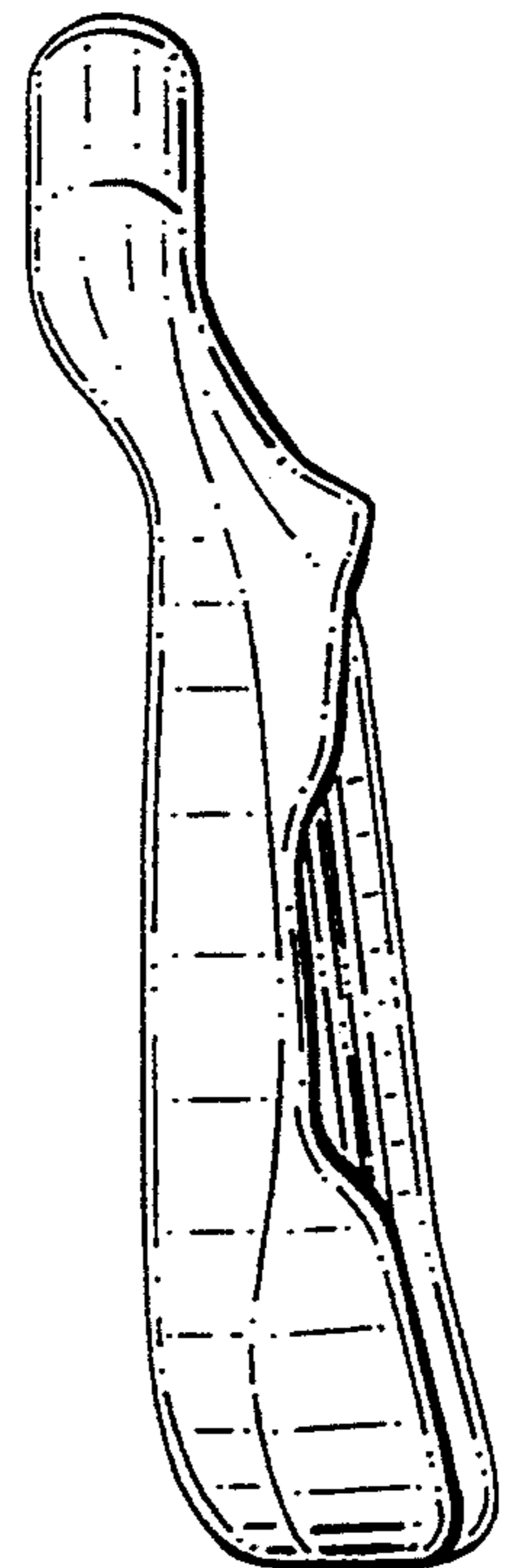


FIG. 5



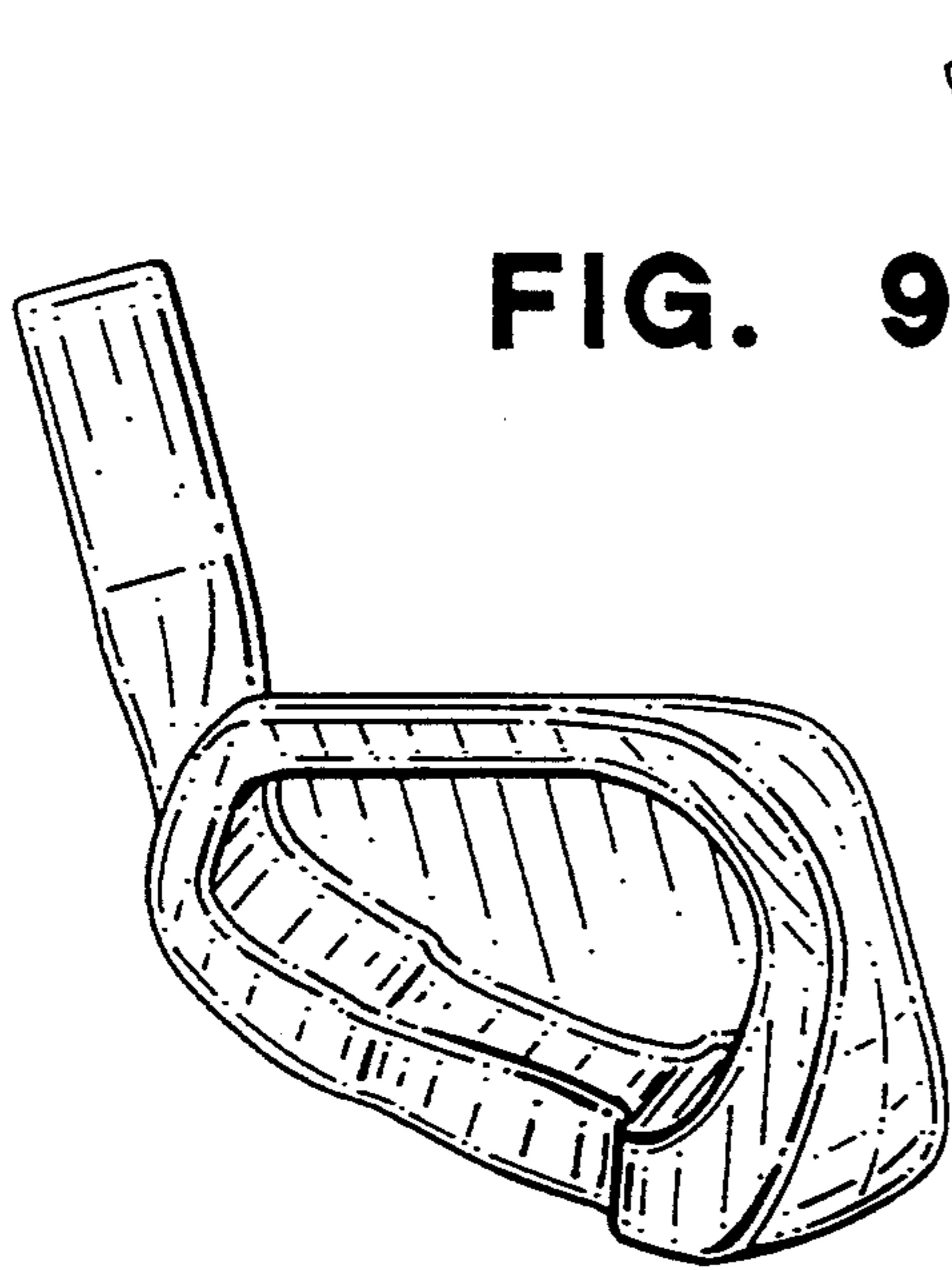


FIG. 9

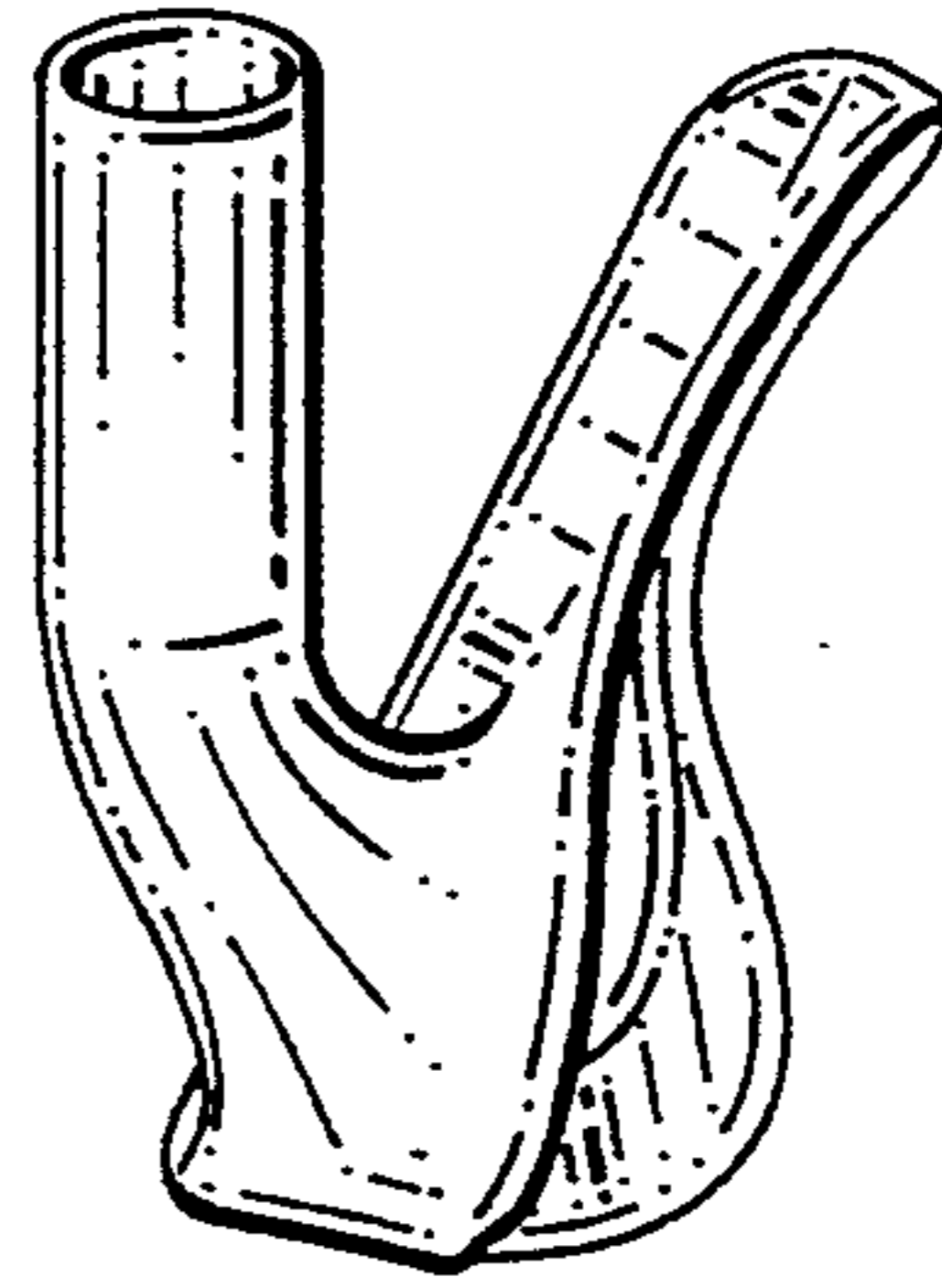
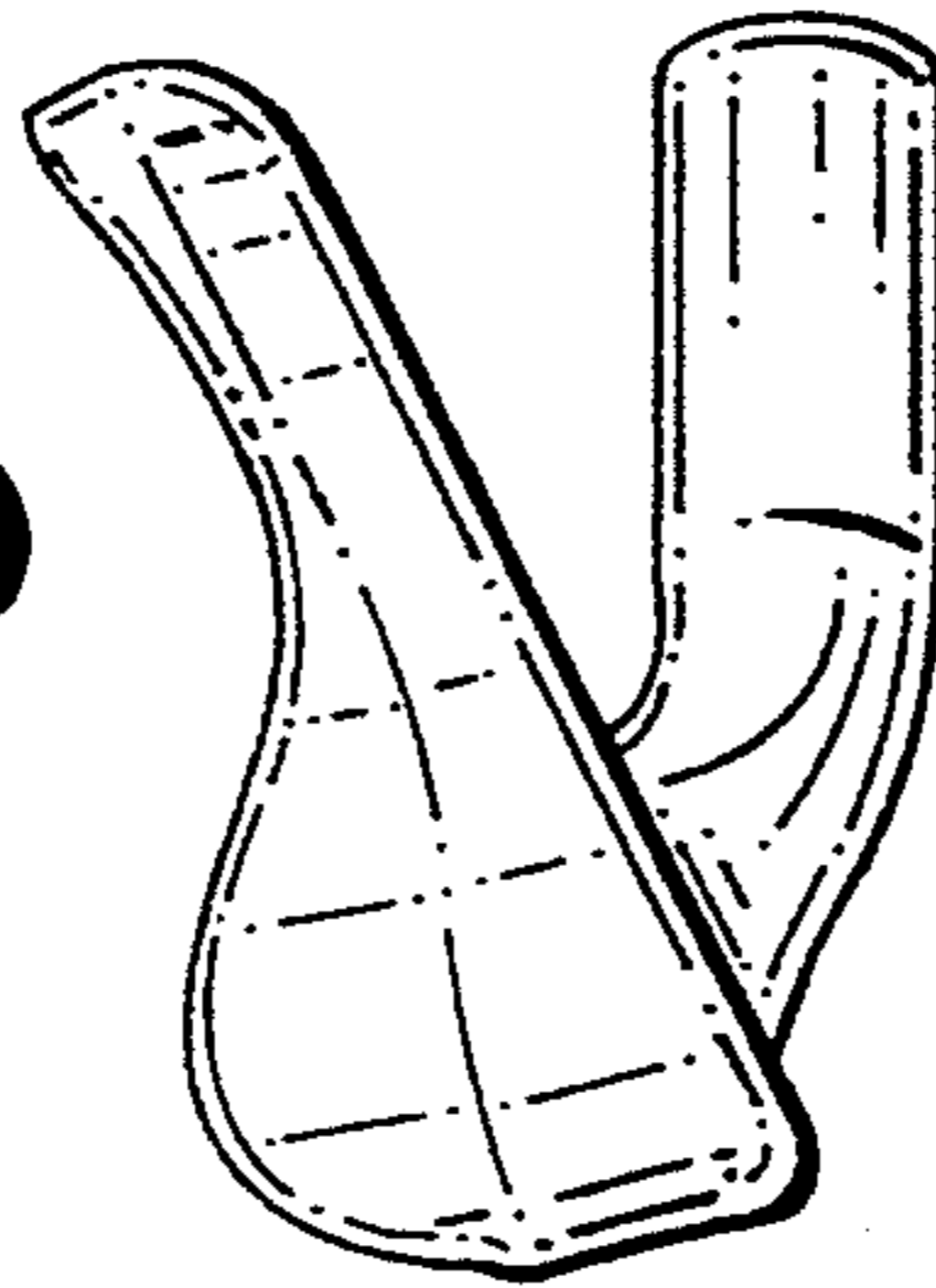


FIG. 10

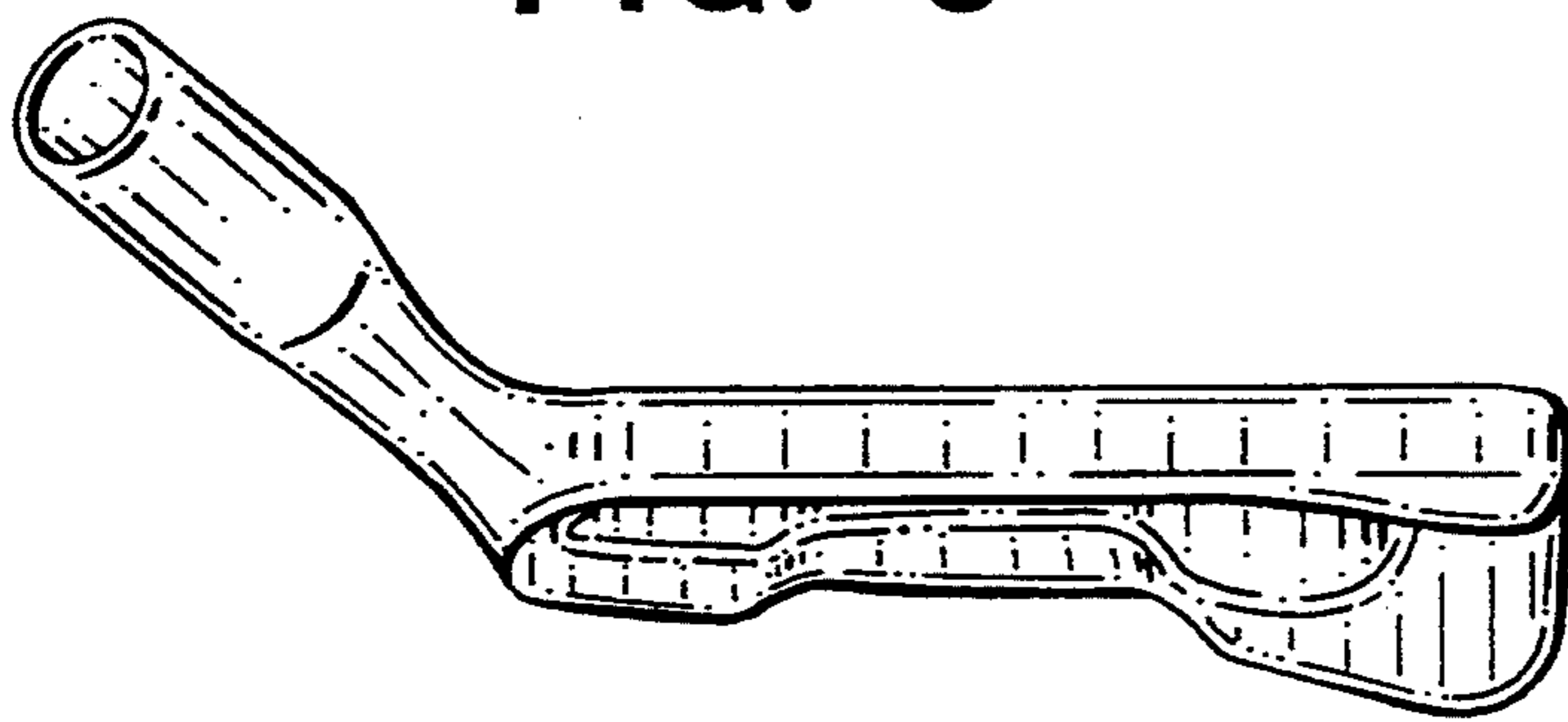


FIG. 11

FIG. 12

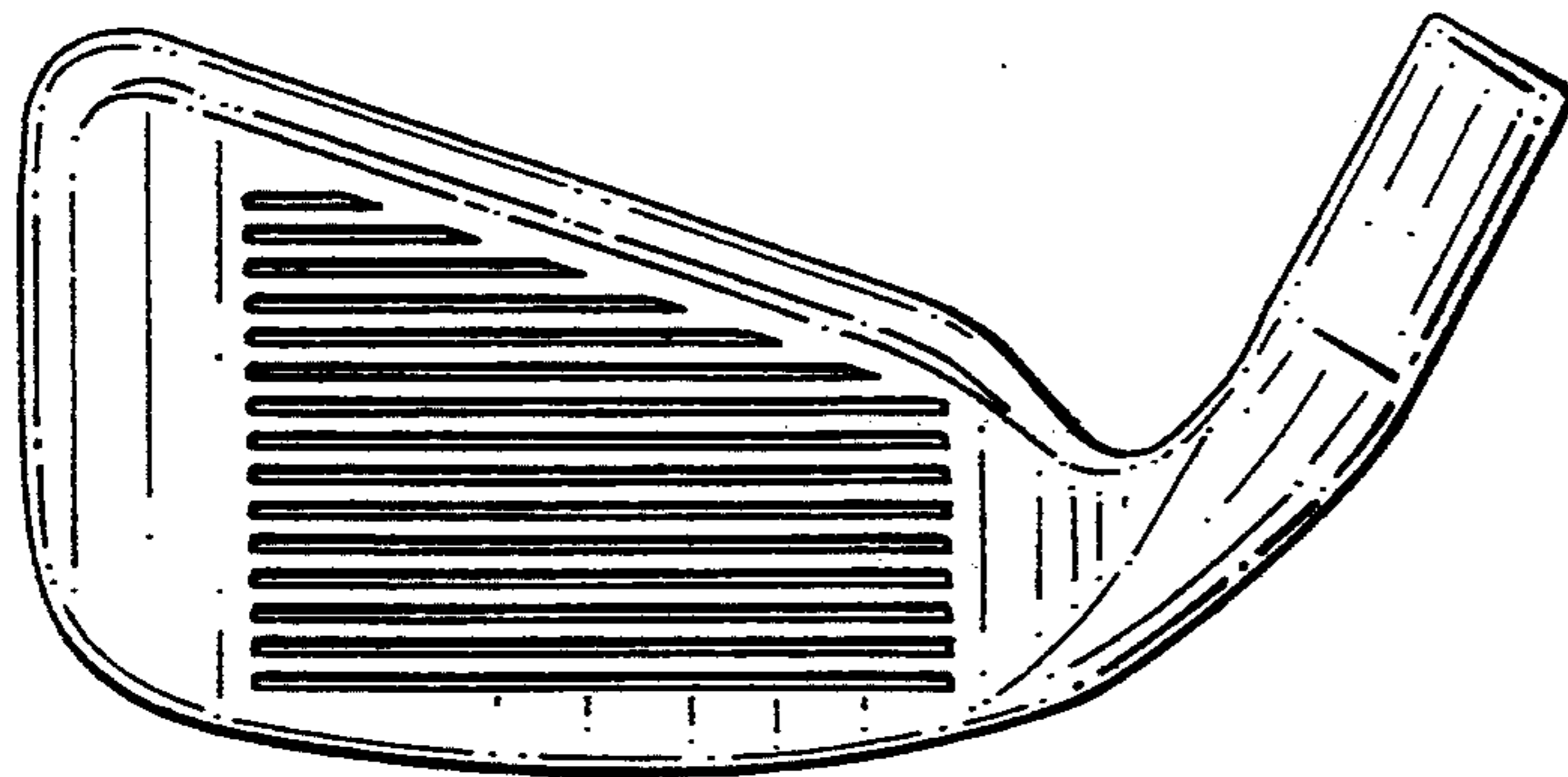
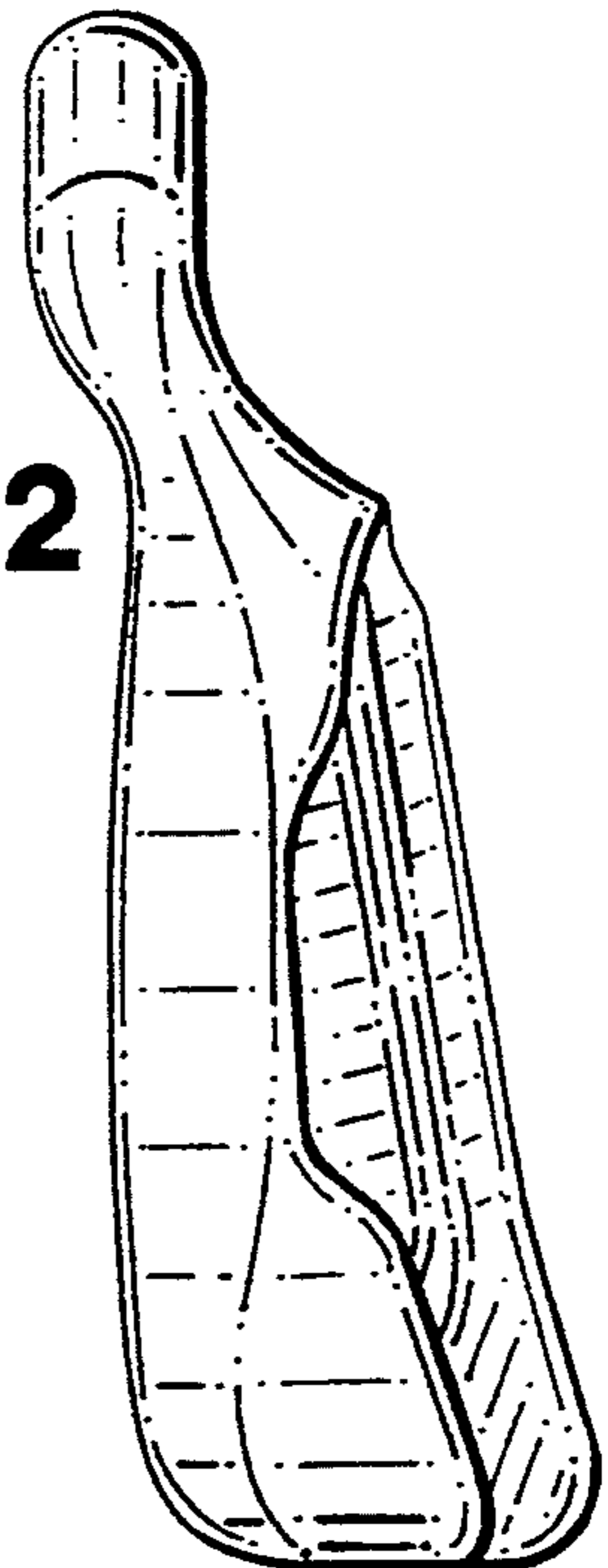
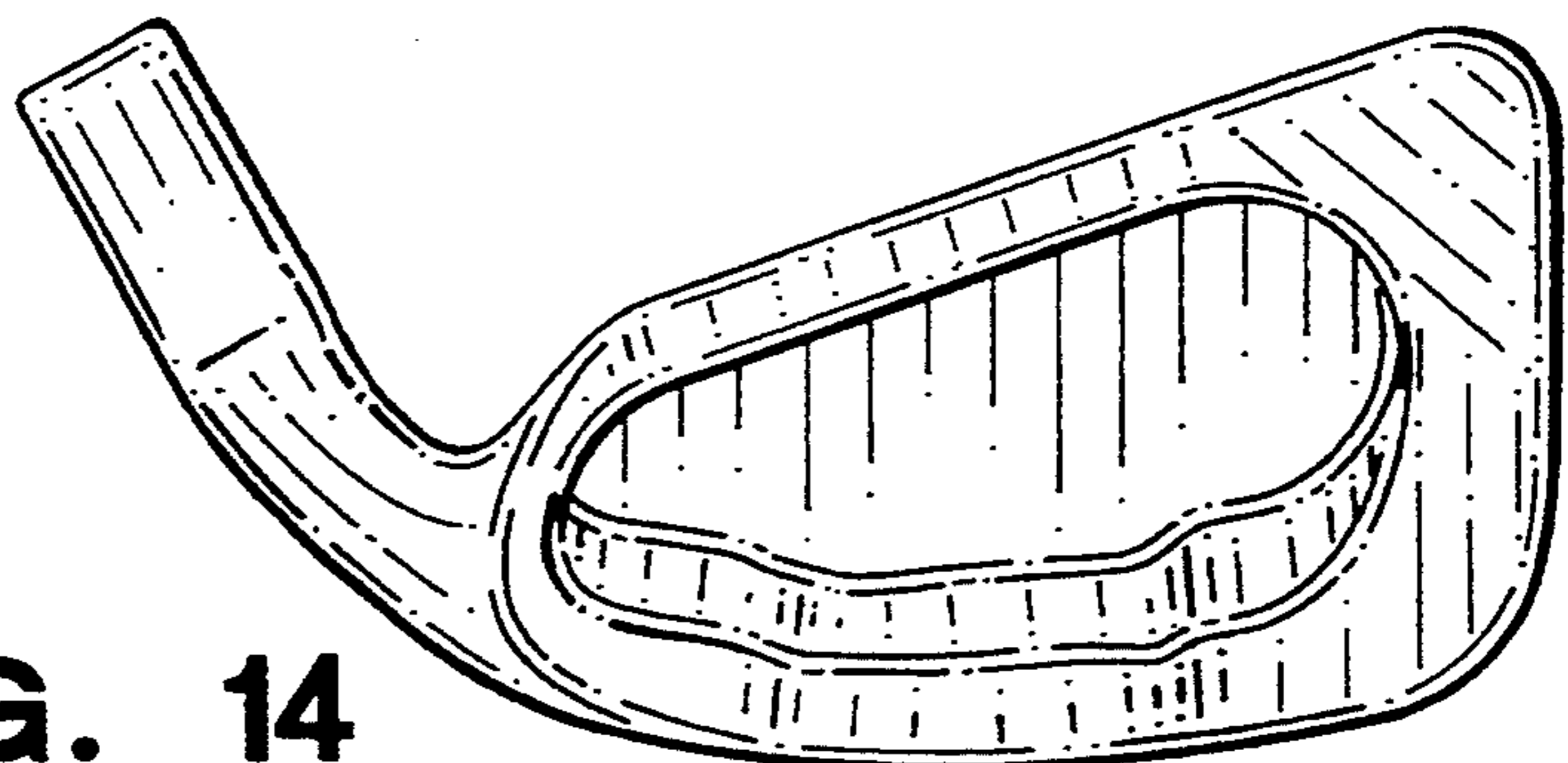


FIG. 13

FIG. 14



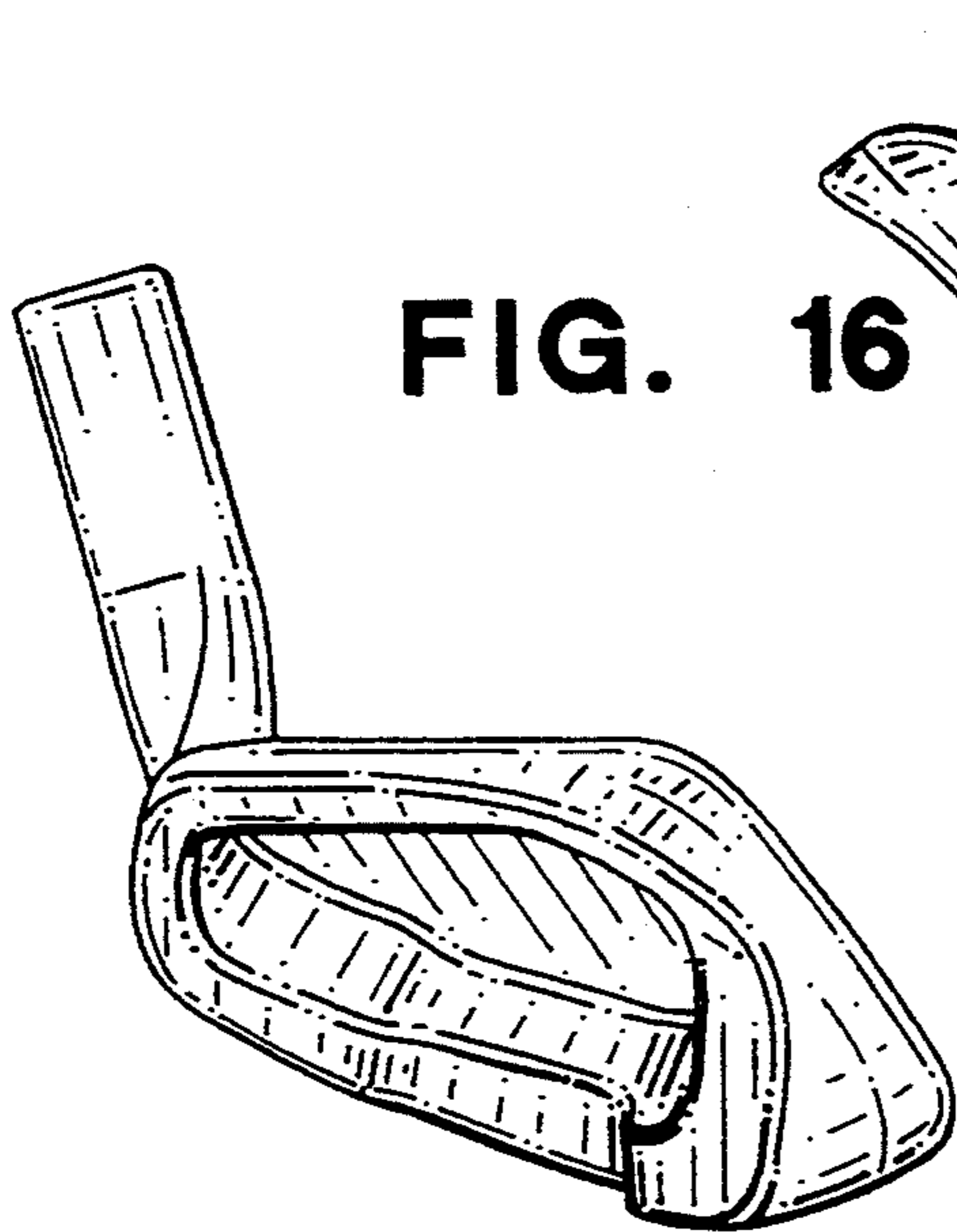


FIG. 16

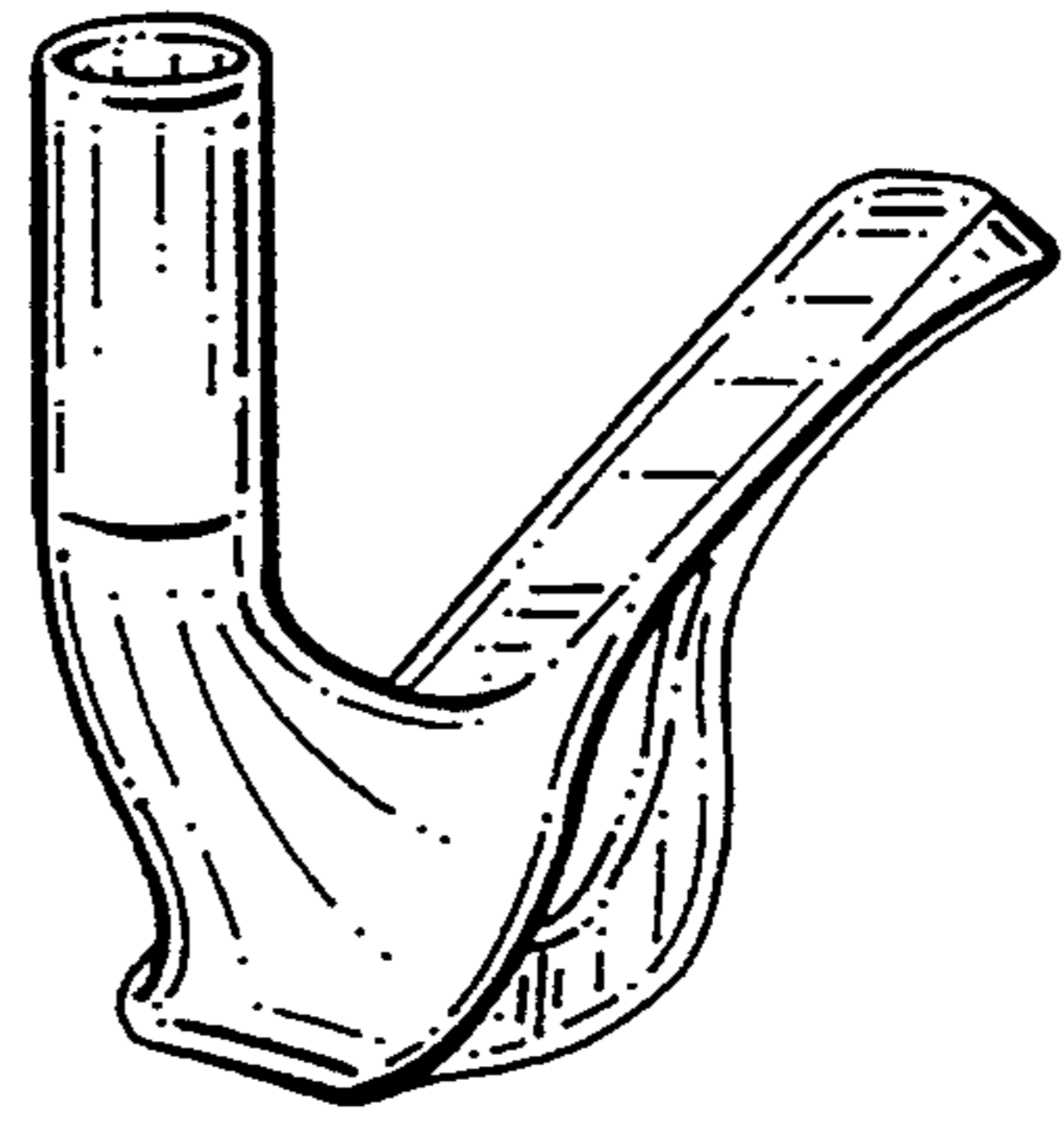
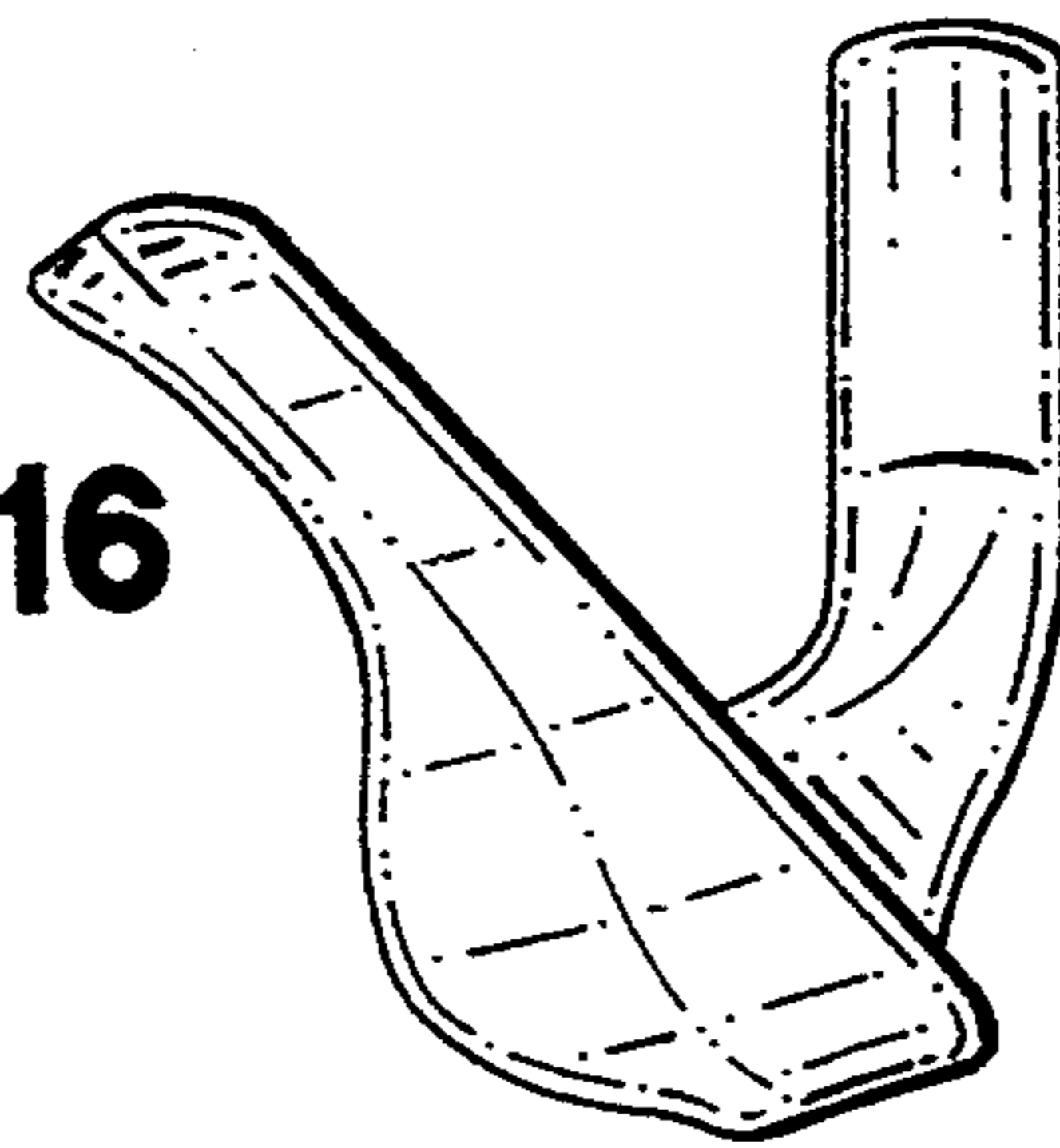


FIG. 17

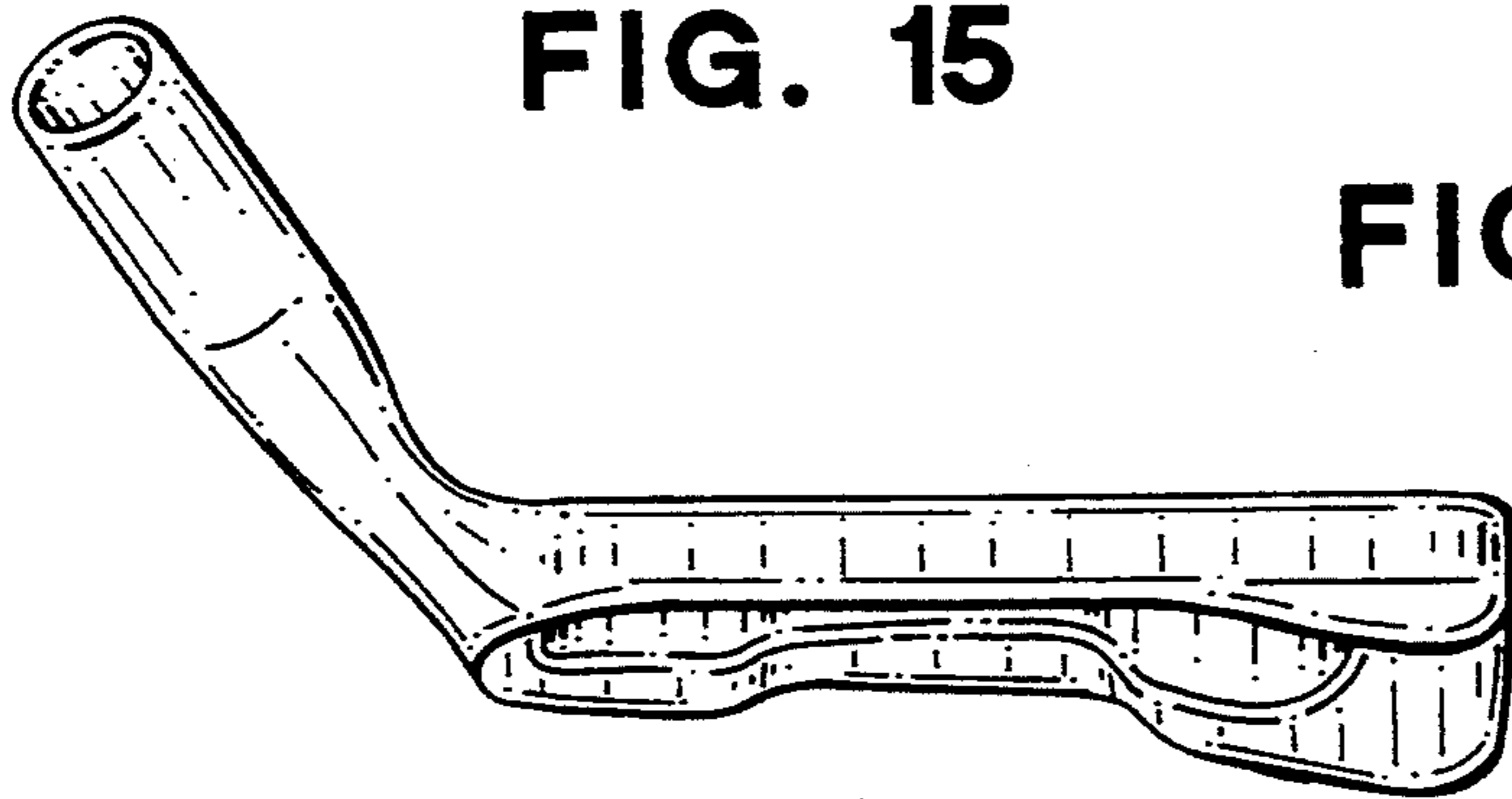


FIG. 18

FIG. 19

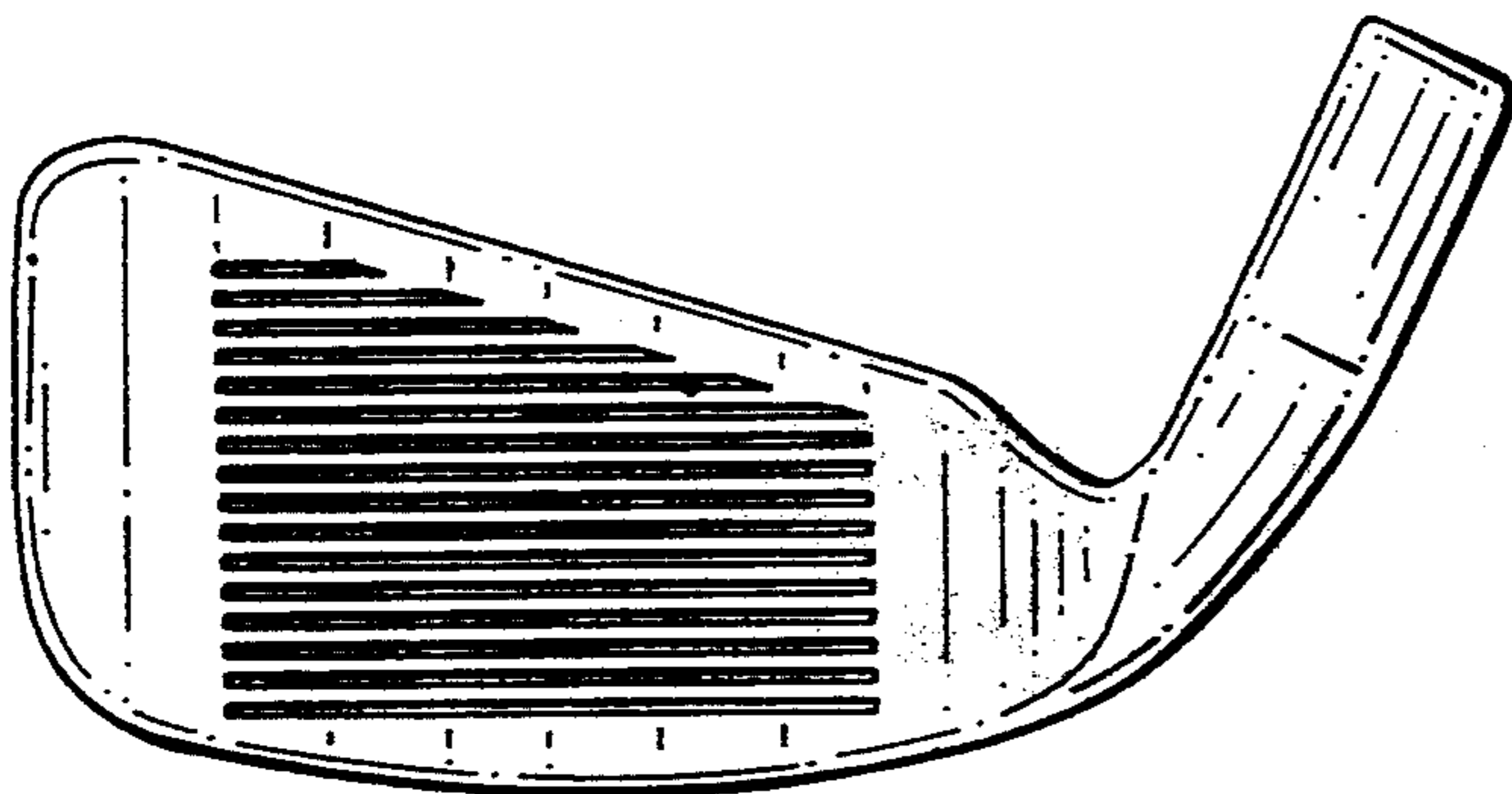
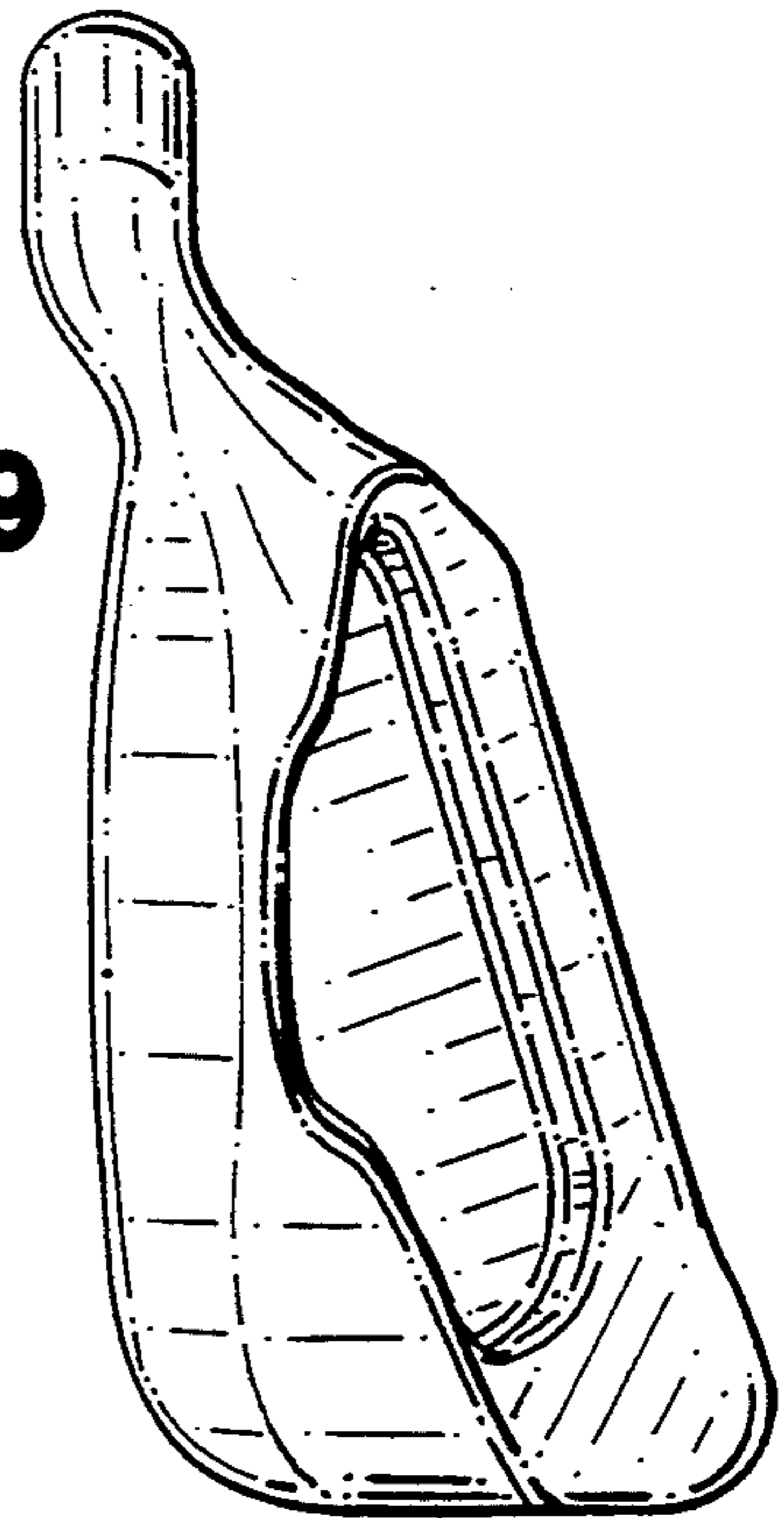
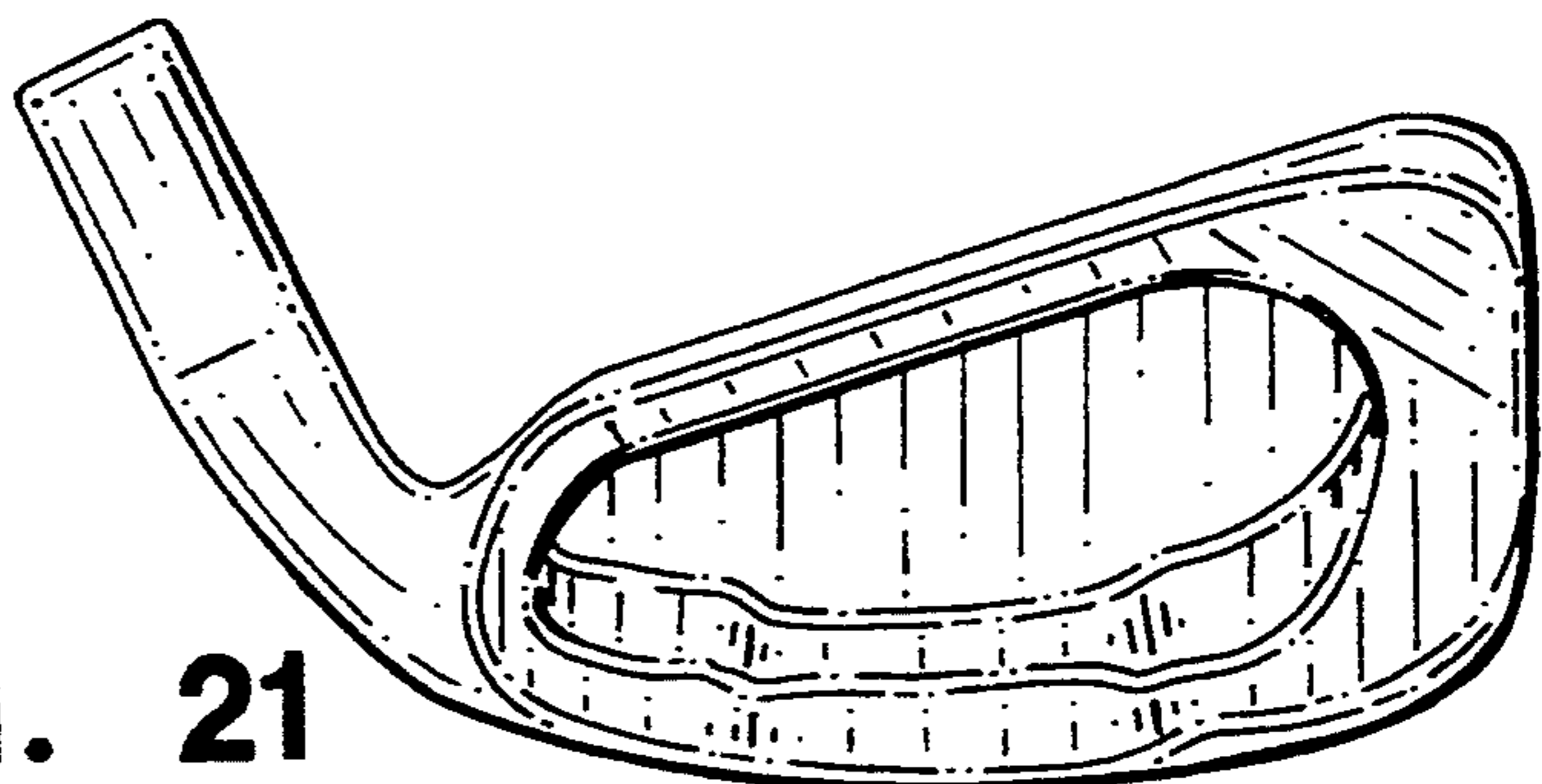


FIG. 20

FIG. 21



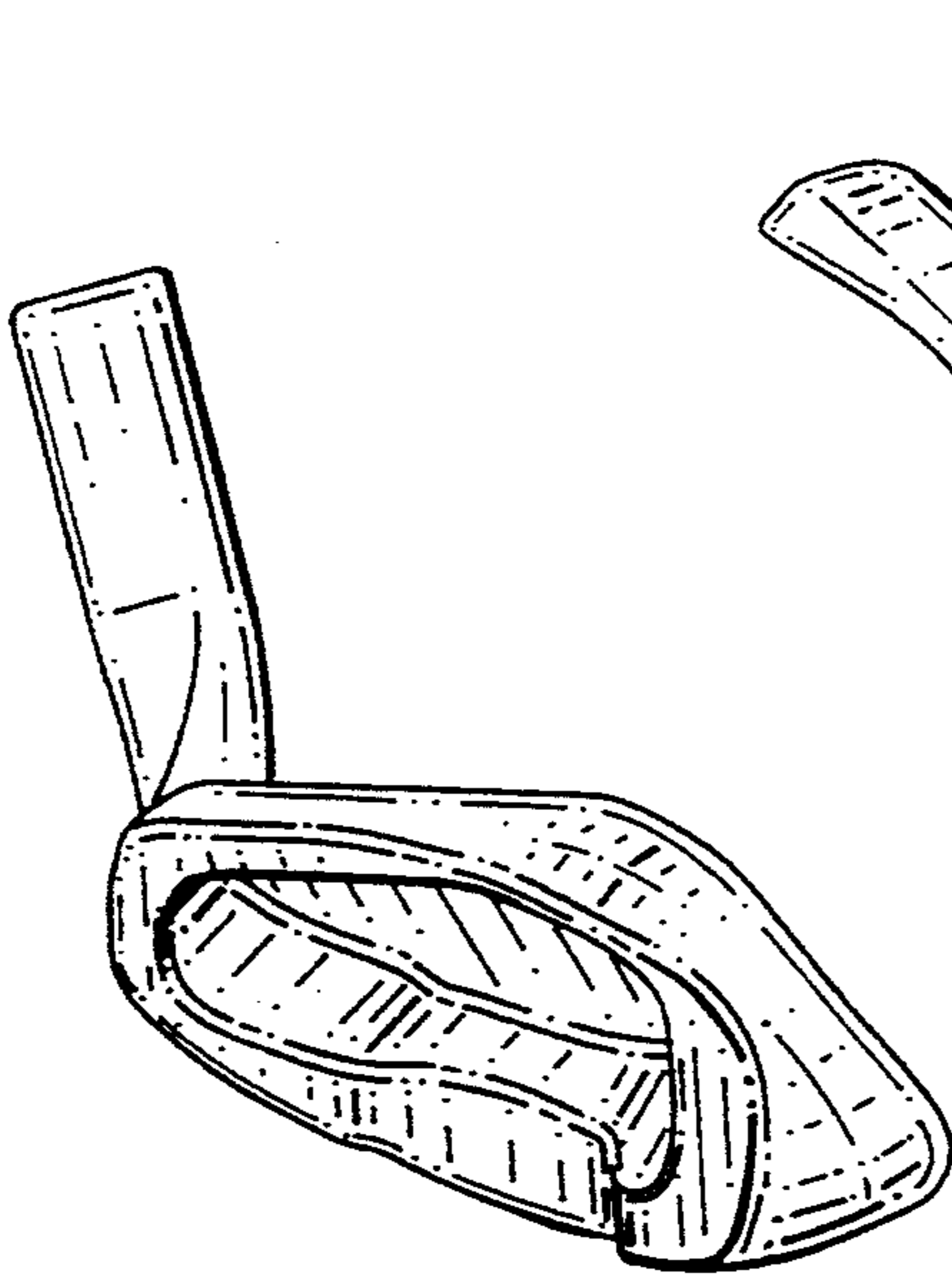


FIG. 22

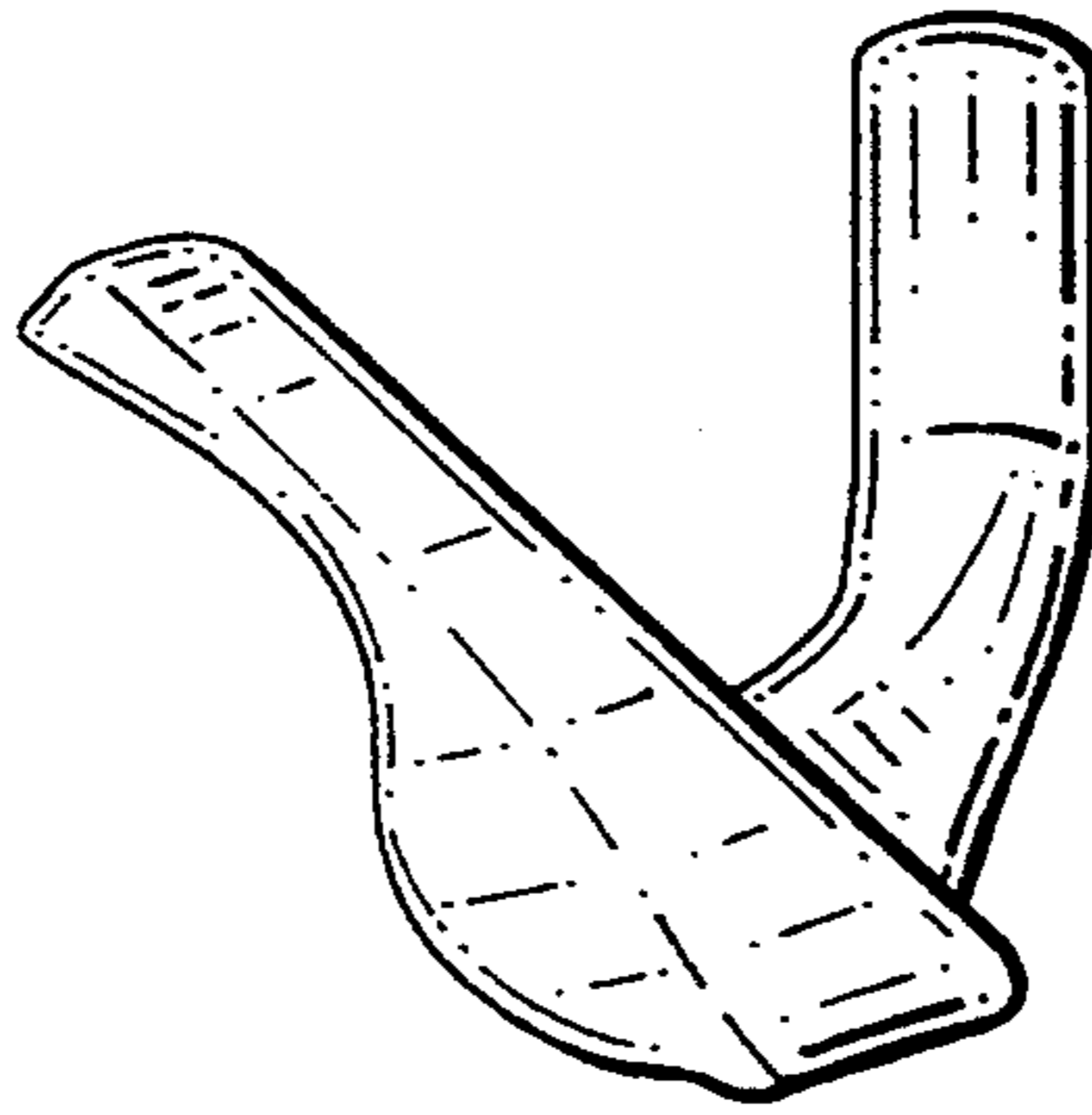


FIG. 23

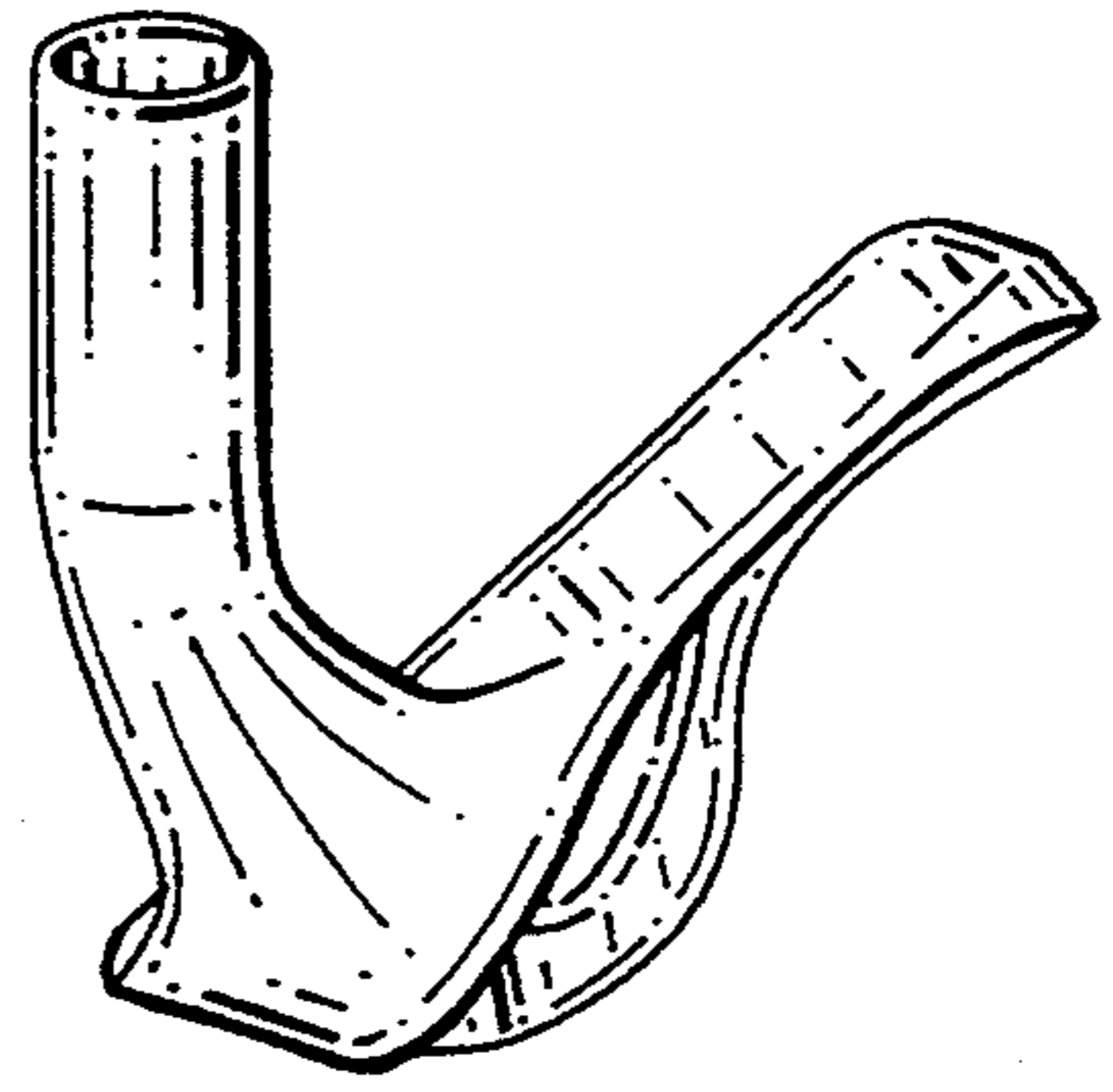


FIG. 24

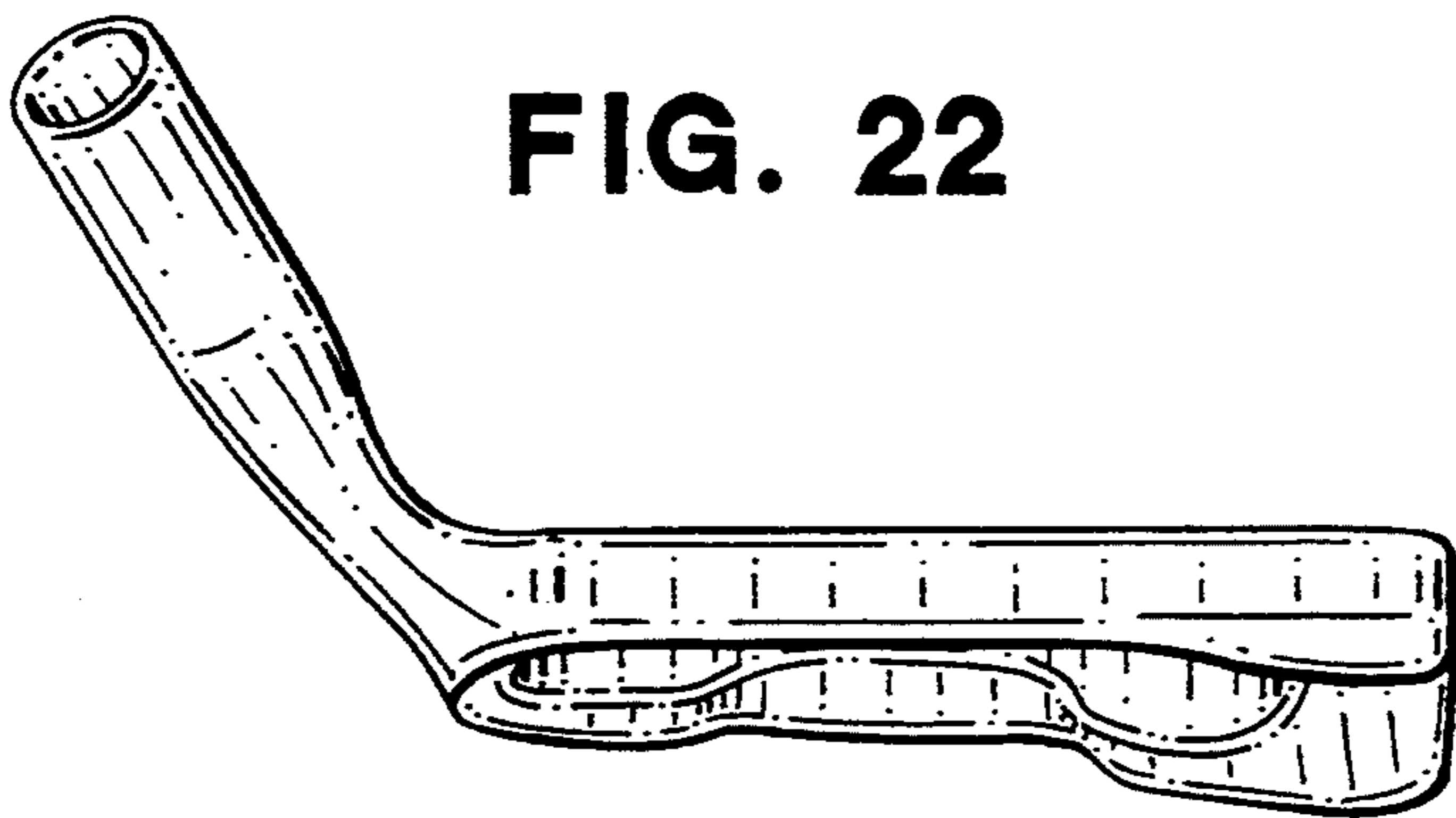


FIG. 25

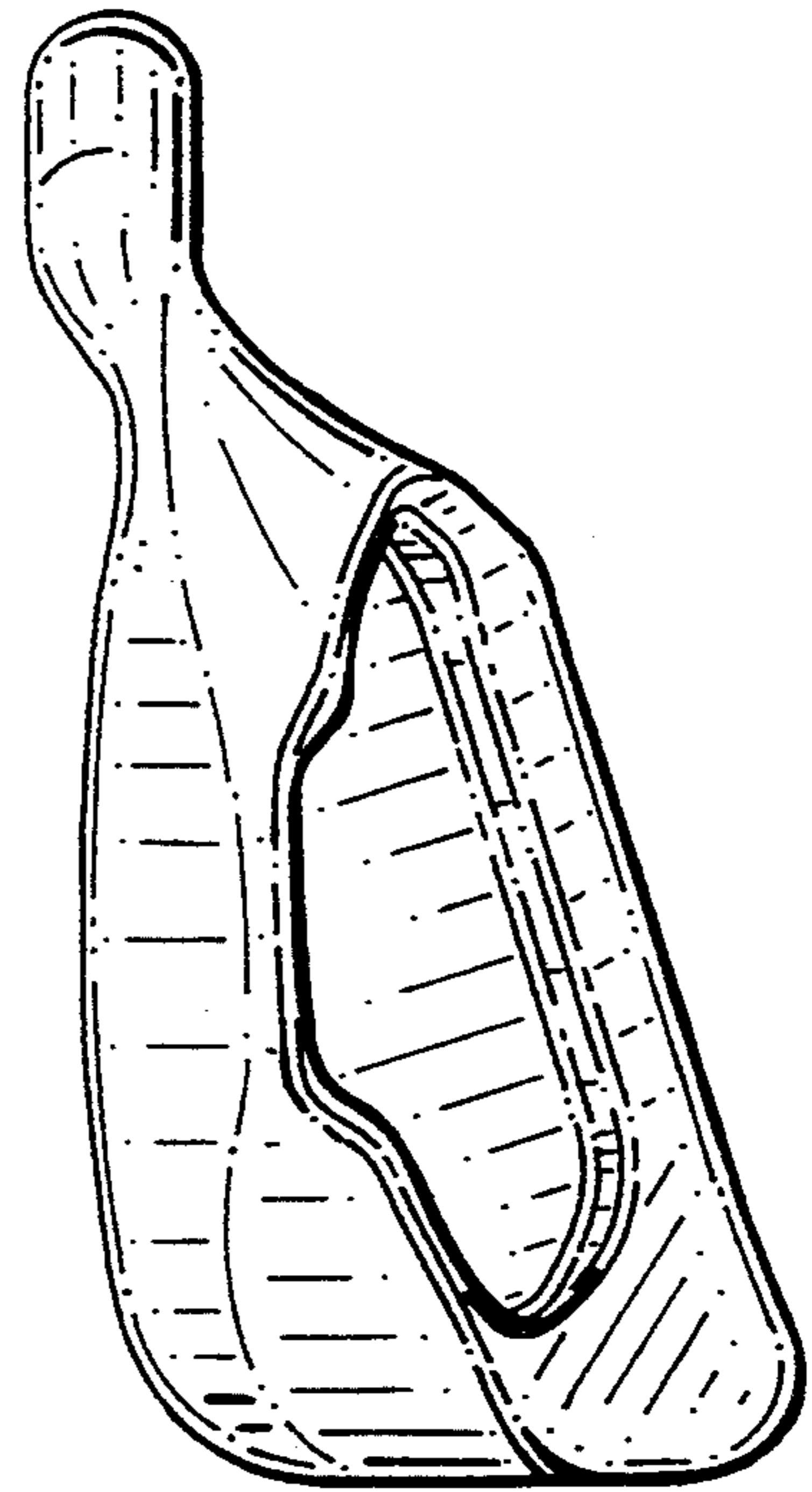


FIG. 26

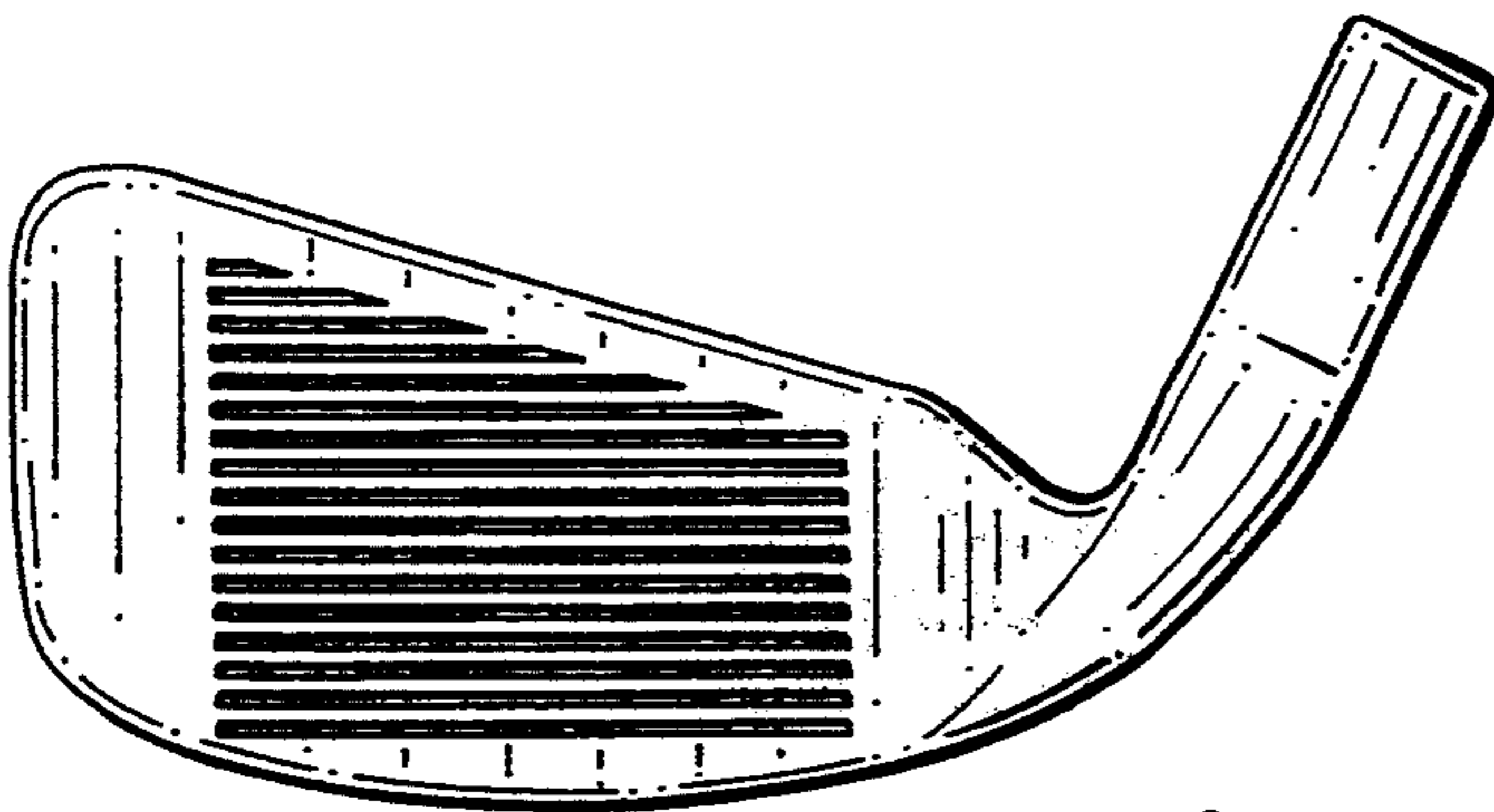


FIG. 27

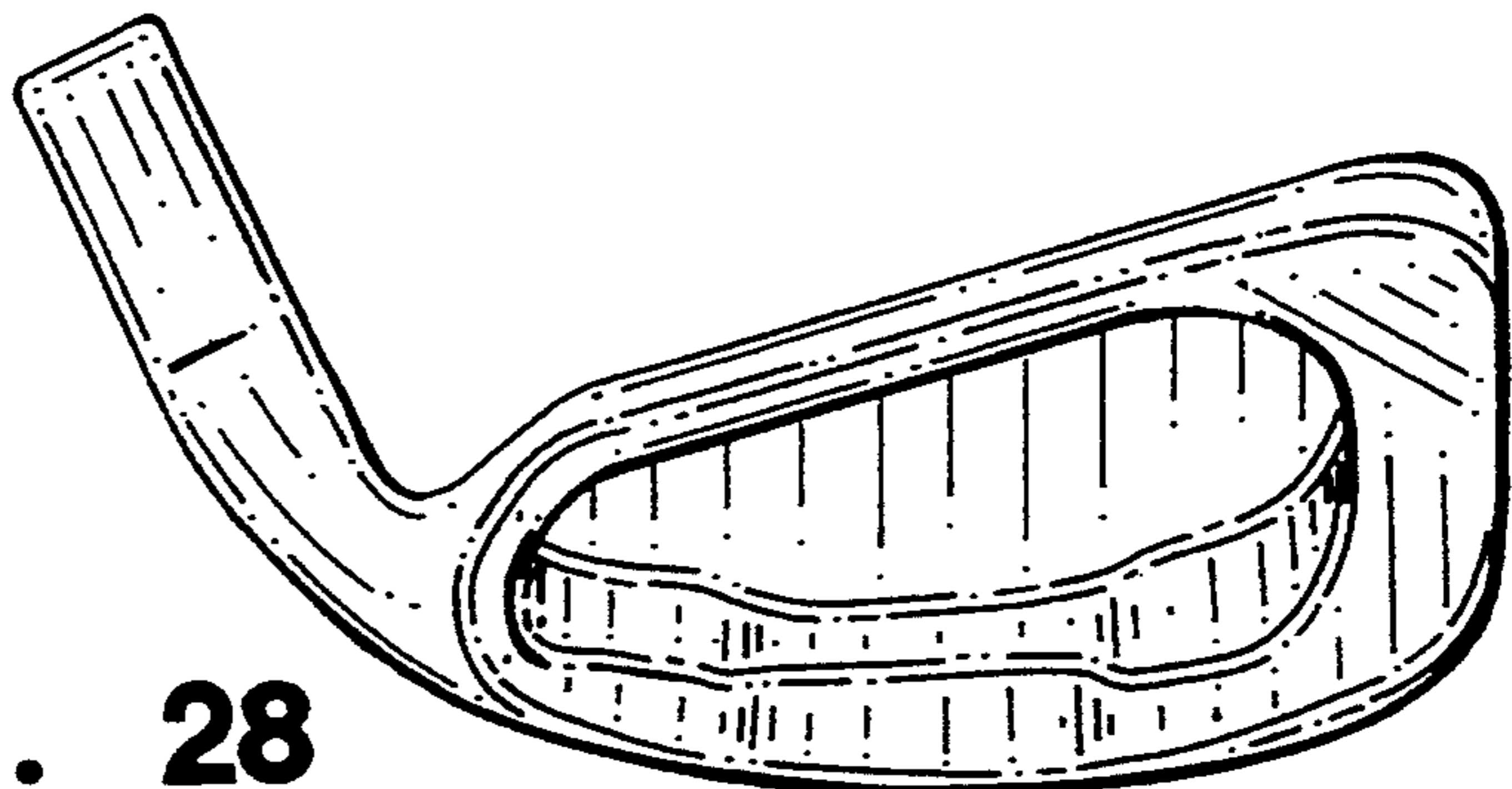


FIG. 28