



US00D357288S

United States Patent [19]

[11] Patent Number: **Des. 357,288**

Yang

[45] Date of Patent: **** Apr. 11, 1995**

[54] **PHYSICAL EXERCISER**

5,106,081	4/1992	Webb	482/137
5,135,457	8/1992	Caruso	482/137
5,260,870	11/1993	Tsuchiya et al.	482/96

[76] Inventor: **Huo-Sheng Yang**, 58 Ma Yuan West St., Taichung, Taiwan, Prov. of China

Primary Examiner—Prabhakar G. Deshmukh
Assistant Examiner—Philip Hyder

[**] Term: **14 Years**

[57] **CLAIM**

[21] Appl. No.: **18,062**

The ornamental design for a physical exerciser, as shown and described.

[22] Filed: **Jan. 28, 1994**

DESCRIPTION

[52] U.S. Cl. **D21/195**

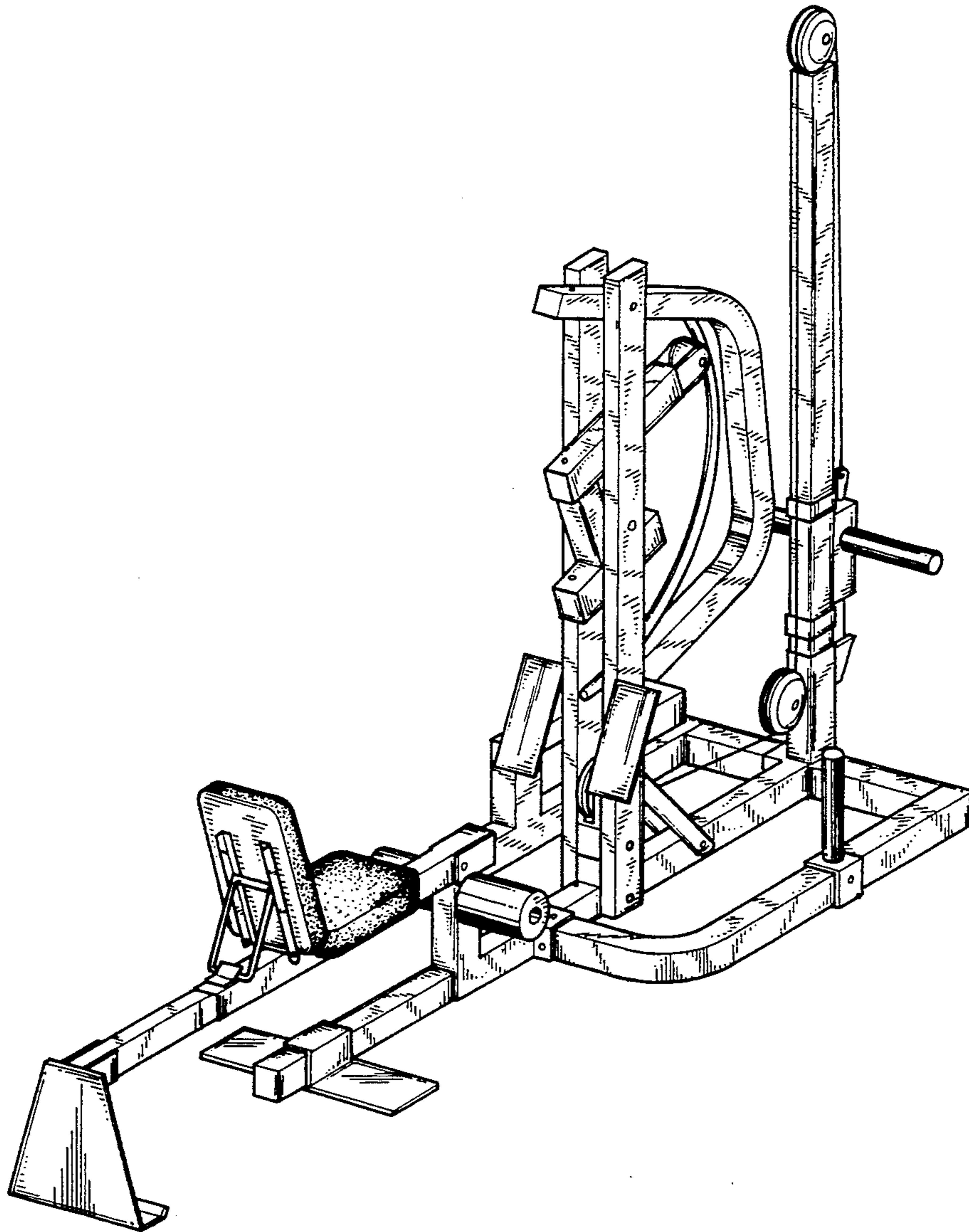
[58] Field of Search D21/191, 194, 195;
482/135, 137, 98, 96, 100, 142, 79, 134

FIG. 1 is a top and rear perspective view of a physical exerciser showing my new design;
 FIG. 2 is a front elevational view thereof;
 FIG. 3 is a rear elevational view thereof;
 FIG. 4 is a right side elevational view thereof;
 FIG. 5 is a left side elevational view thereof;
 FIG. 6 is a bottom plan view thereof; and,
 FIG. 7 is a top plan view thereof.

[56] **References Cited**

U.S. PATENT DOCUMENTS

3,820,782	6/1974	Salkeld	482/135
3,917,262	11/1975	Salkeld	482/98
4,511,137	4/1985	Jones	482/142



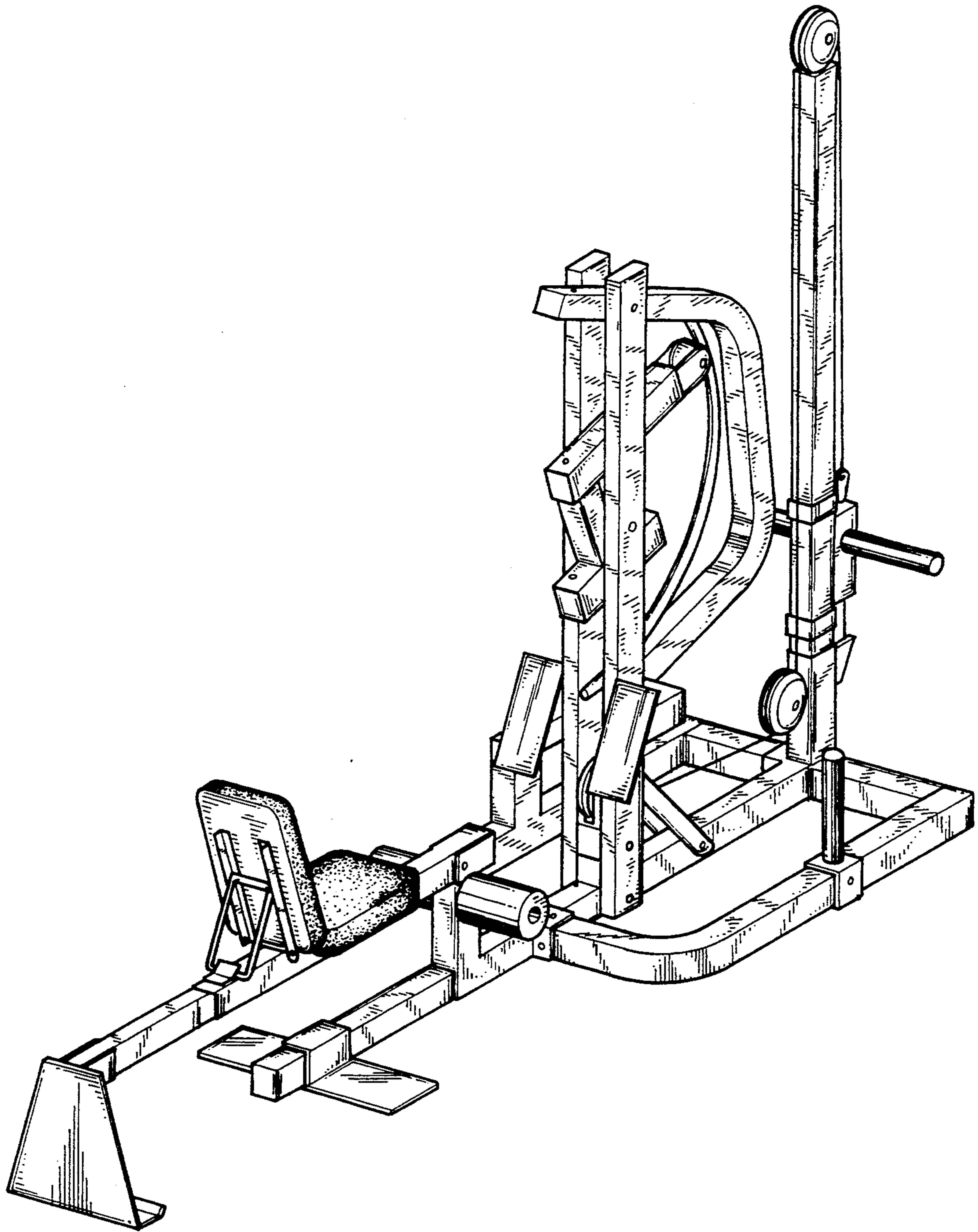


FIG. 1

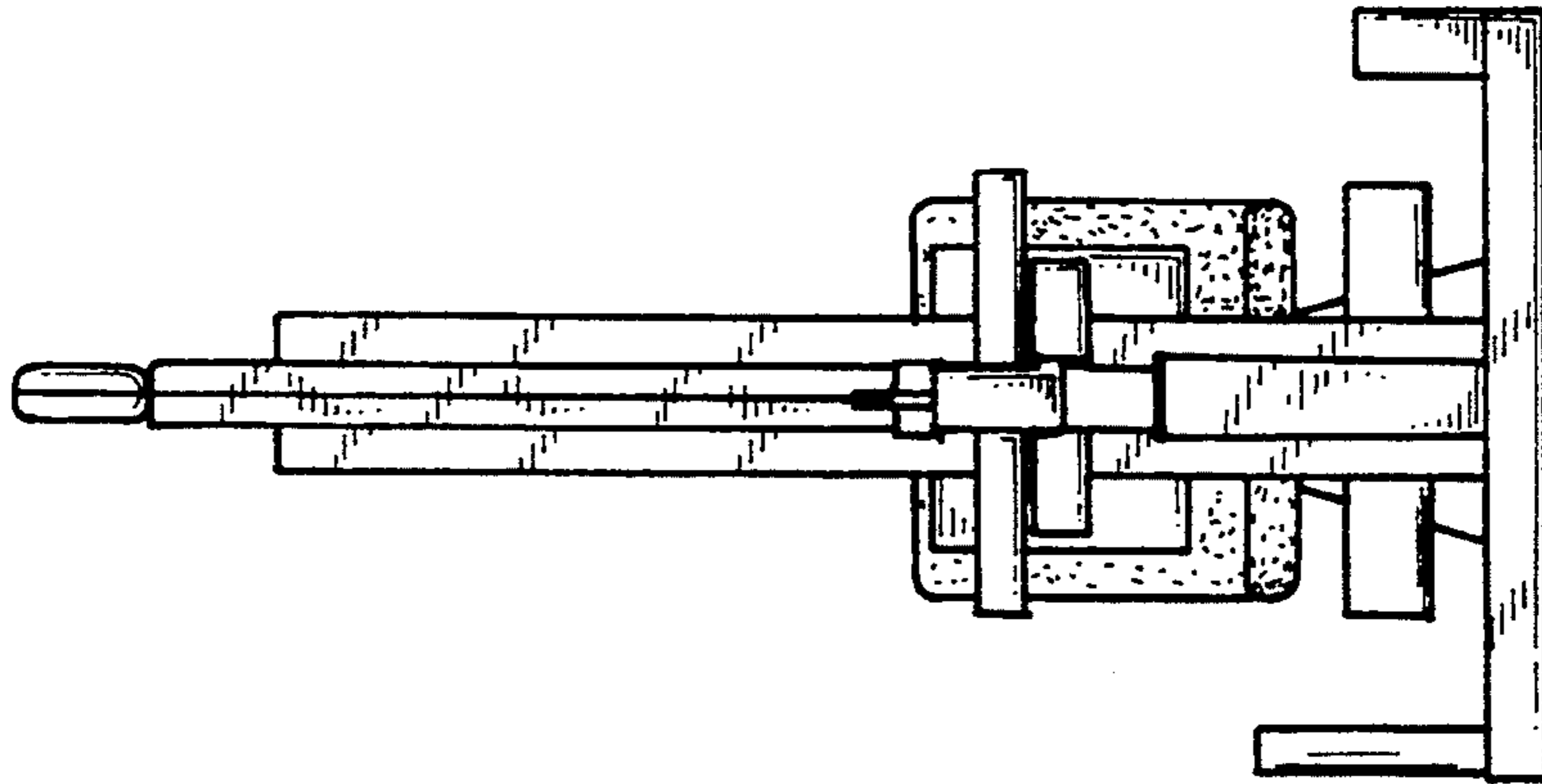


FIG. 2

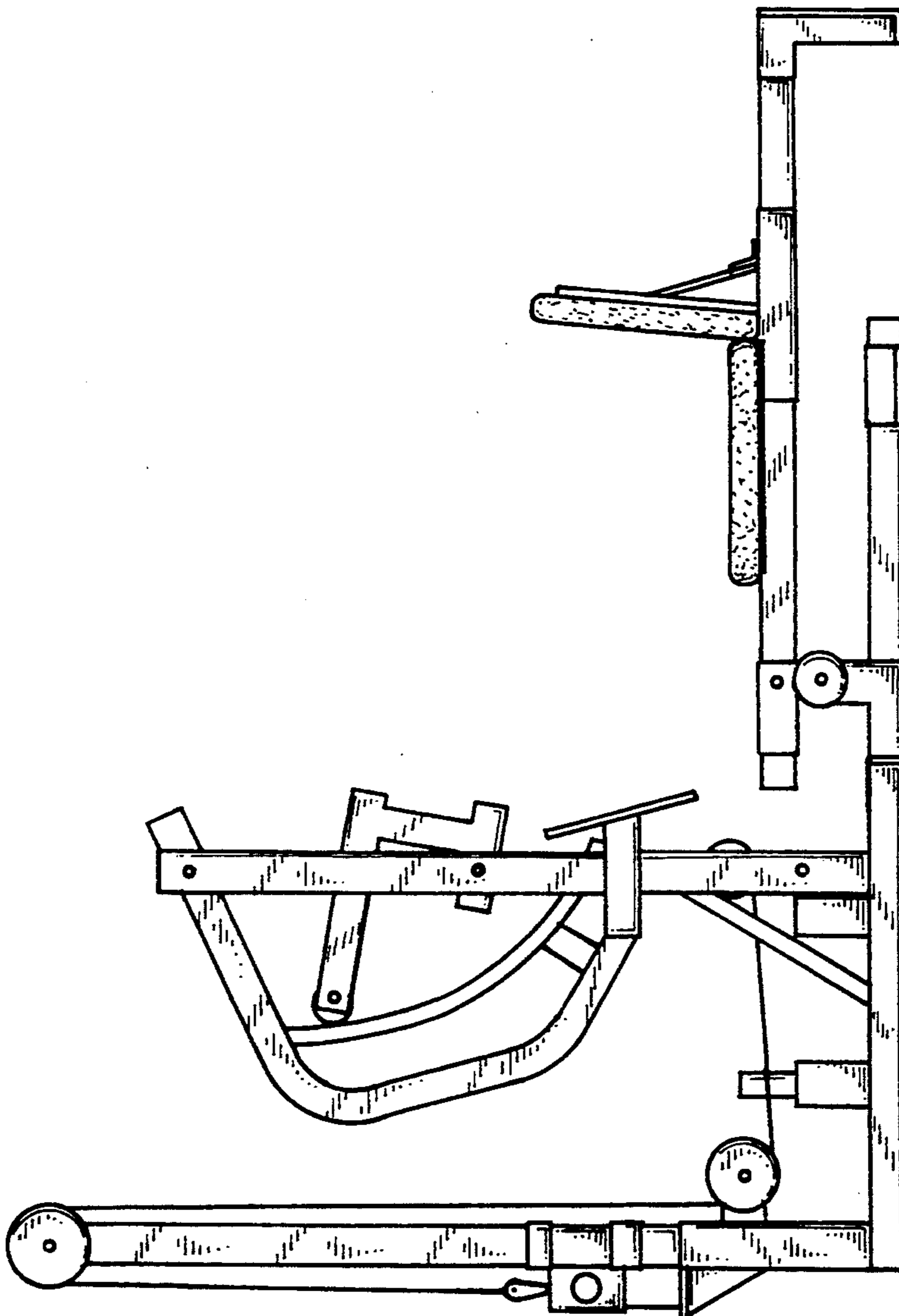


FIG. 4

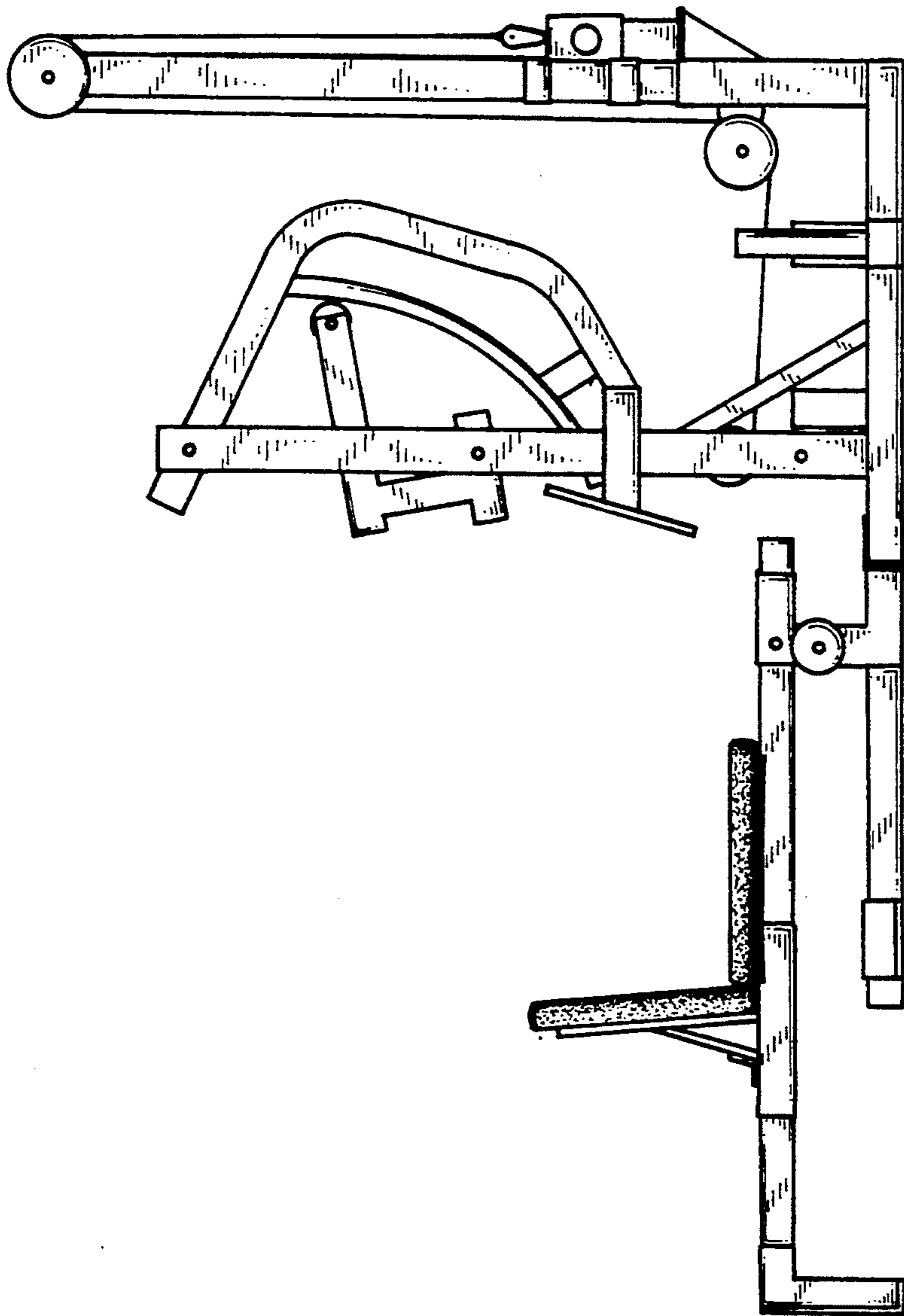


FIG. 5

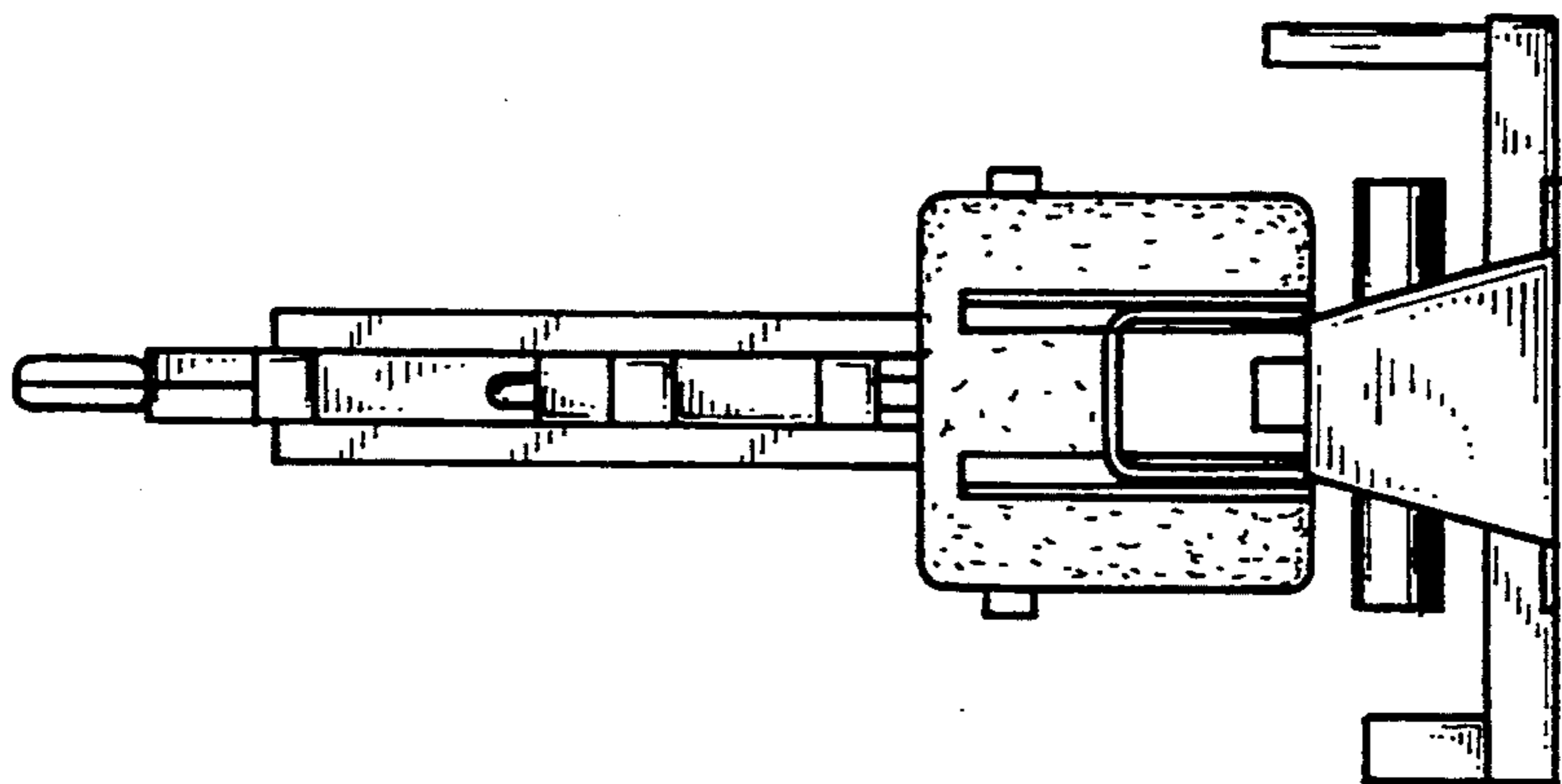


FIG. 3

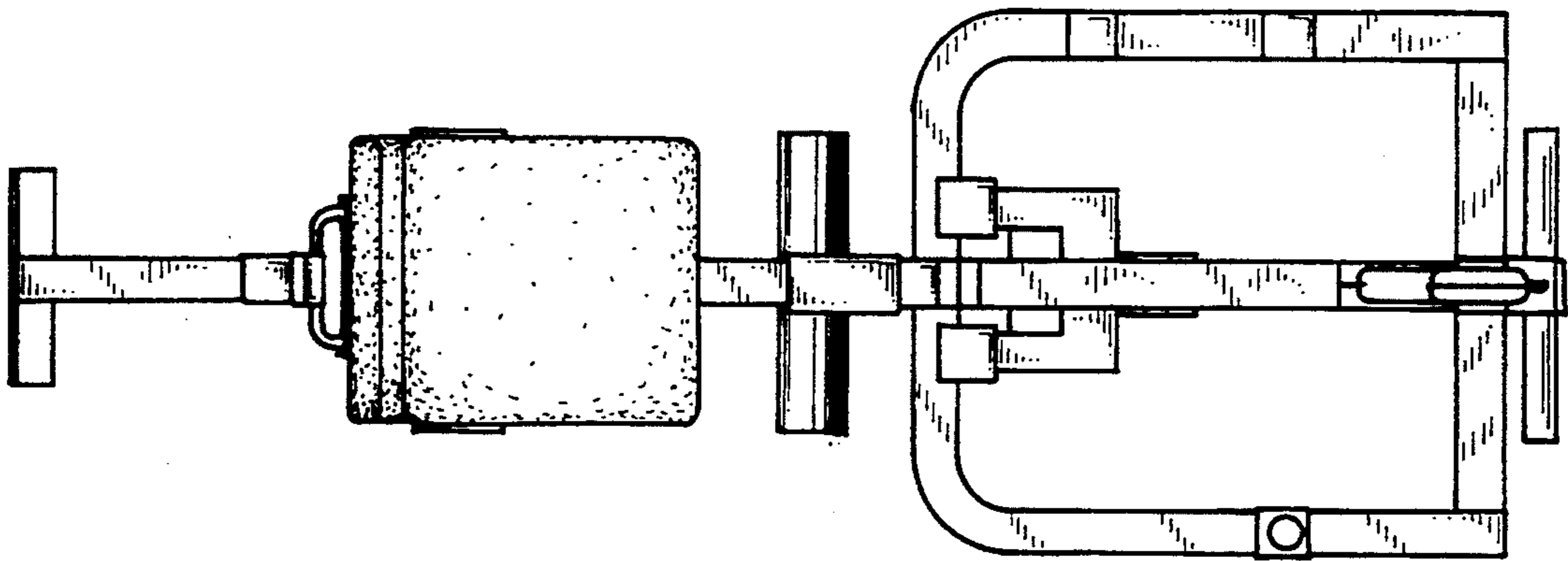


FIG. 7

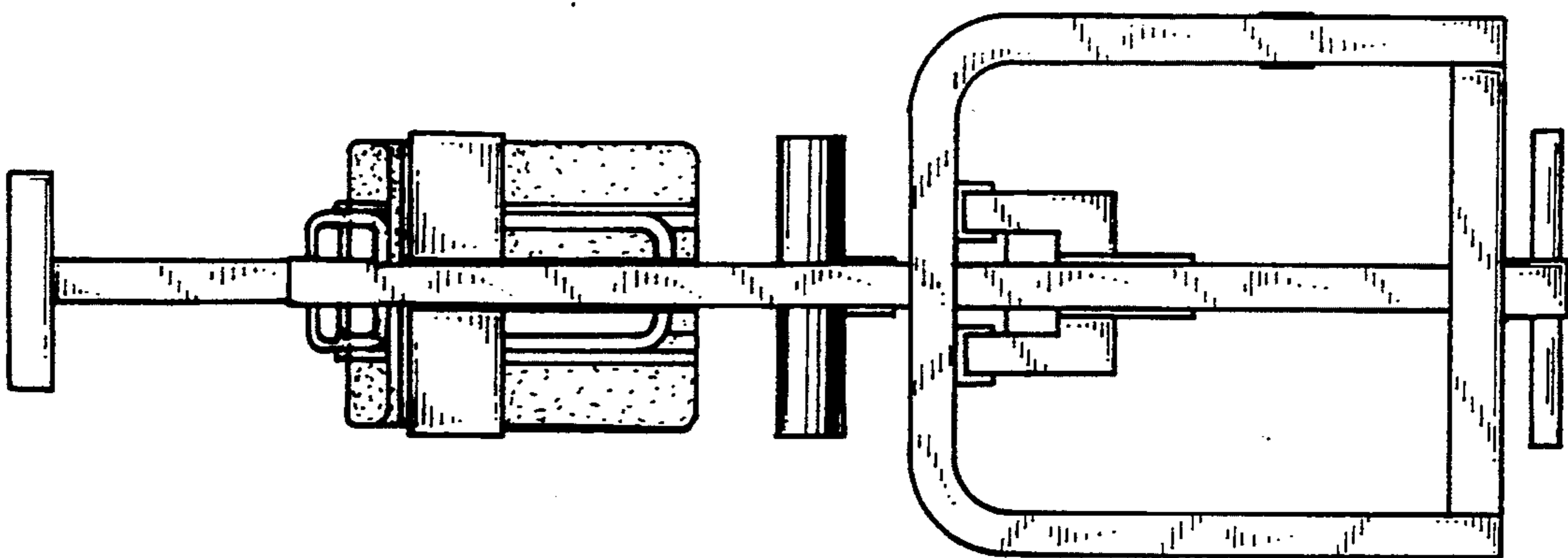


FIG. 6