



US00D357287S

United States Patent [19]

[11] Patent Number: **Des. 357,287**

Feng

[45] Date of Patent: **** Apr. 11, 1995**

[54] **HOUSING FOR VIDEO GAME MACHINE WITH WIRELESS RECEIVER**

4,763,300 8/1988 Yukawa 273/148 B X
4,865,321 9/1989 Nakagawa et al. 273/148 B X

[75] Inventor: **Judy Feng, Keelung City, Taiwan, Prov. of China**

[73] Assignee: **Silitek Corporation, Taipei, Taiwan, Prov. of China**

[**] Term: **14 Years**

[21] Appl. No.: **9,171**

[22] Filed: **Jun. 7, 1993**

[52] U.S. Cl. **D21/48**

[58] Field of Search **D21/48, 13; 273/148 B, 273/433-438, DIG. 28; D14/124, 126, 137, 138, 114, 217, 239, 204, 155**

[56] **References Cited**

U.S. PATENT DOCUMENTS

- D. 319,051 8/1991 Suzuki D14/125
- D. 321,375 11/1991 Leung D21/13
- D. 335,670 5/1993 Kerr et al. D14/188
- D. 340,232 10/1993 Yoshida D14/107

OTHER PUBLICATIONS

Playthings, Sep. 1988, p. 49, top right of the page.
Hong Kong Enterprise, Oct. 1981, p. 511 top right of the page.

Primary Examiner—Prabhakar G. Deshmukh
Attorney, Agent, or Firm—Browdy and Neimark

[57] **CLAIM**

The ornamental design for housing for video game machine with wireless receiver, as shown.

DESCRIPTION

FIG. 1 is the perspective view of a design for housing for video game machine with wireless receiver showing my new design;
FIG. 2 is the front elevational view thereof;
FIG. 3 is the rear elevational view thereof;
FIG. 4 is the left side elevational view thereof;
FIG. 5 is the right side elevational view thereof;
FIG. 6 is the top plan view thereof; and,
FIG. 7 is the bottom plan view thereof.

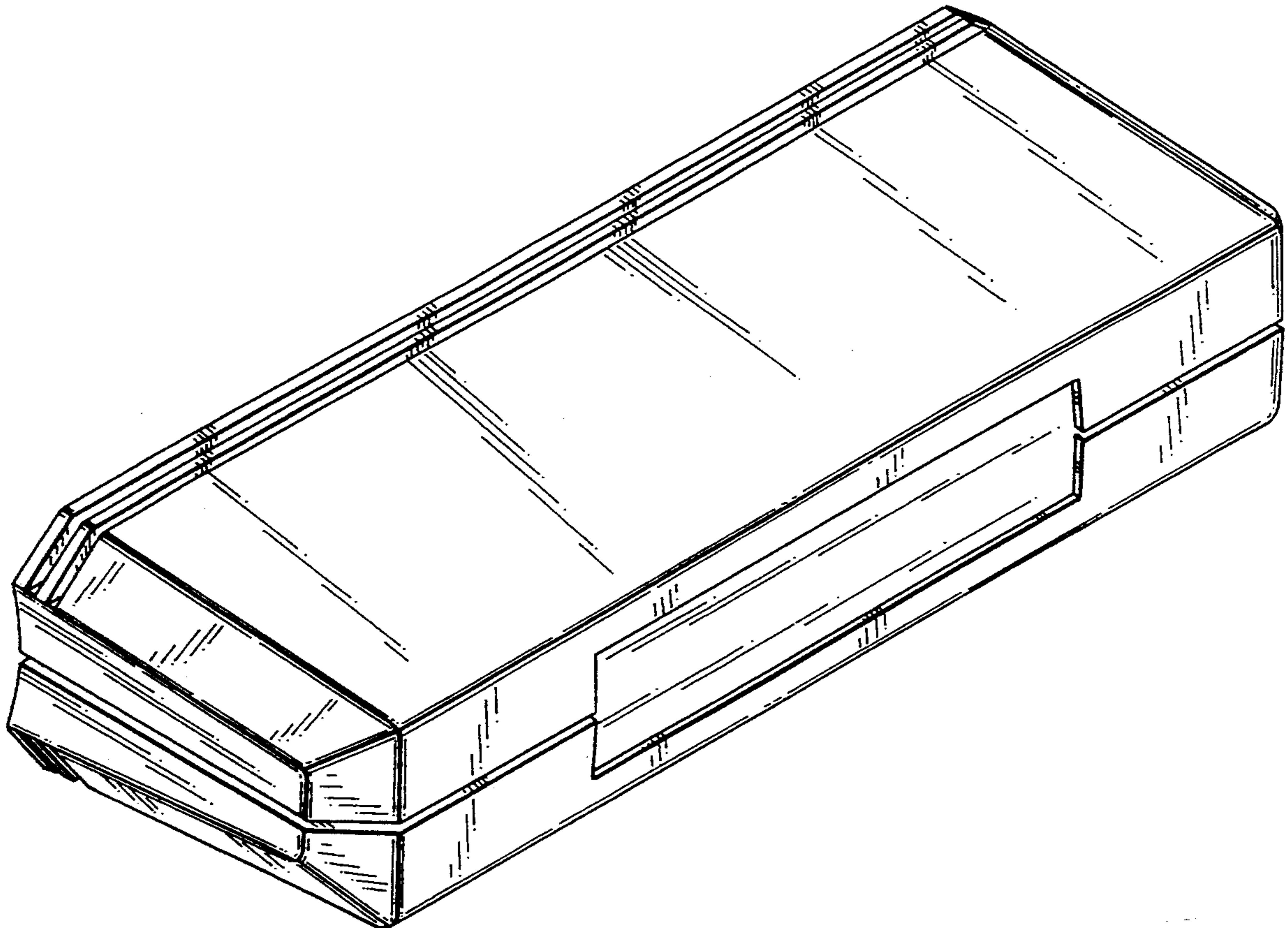


FIG. 1

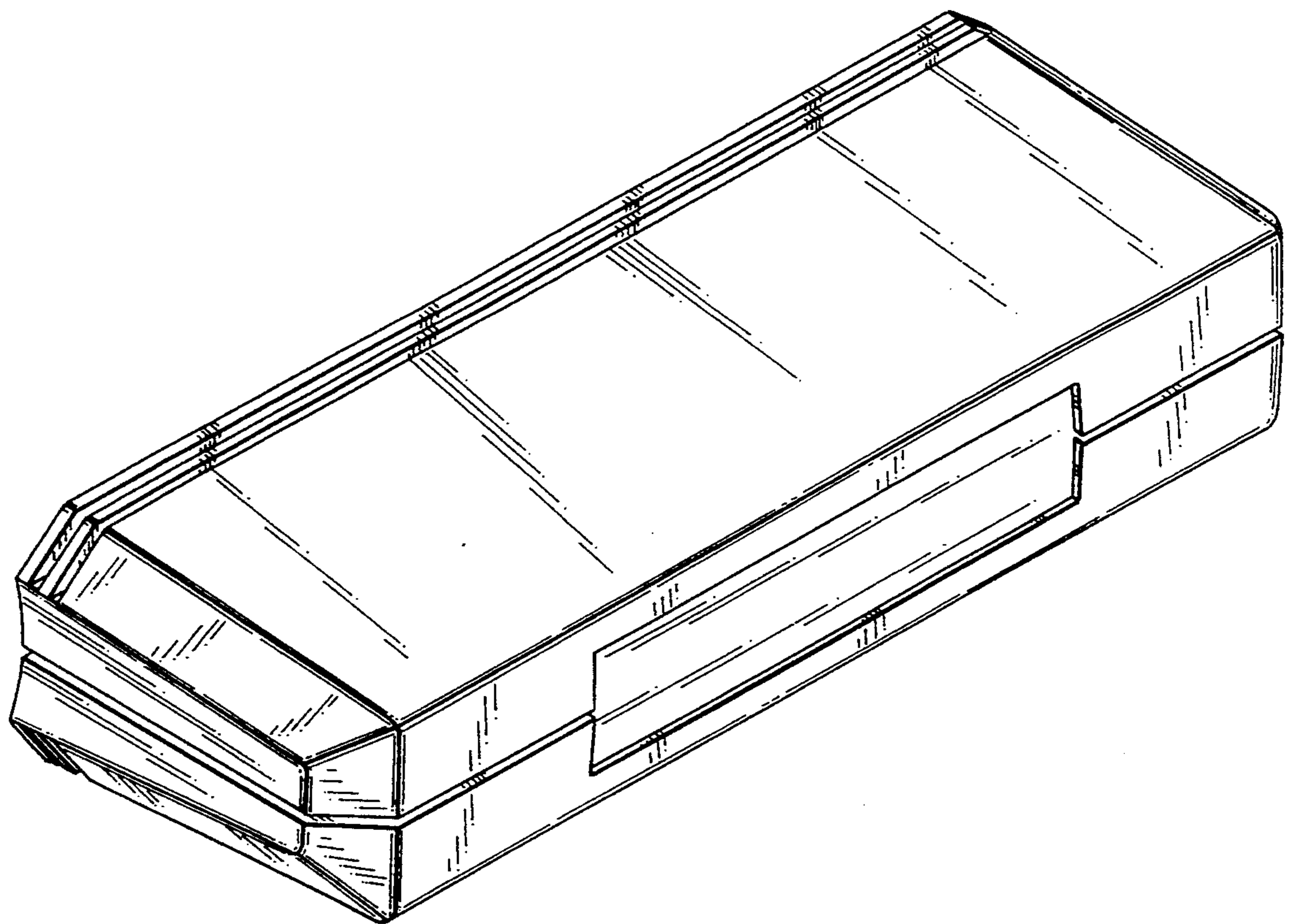


FIG. 2

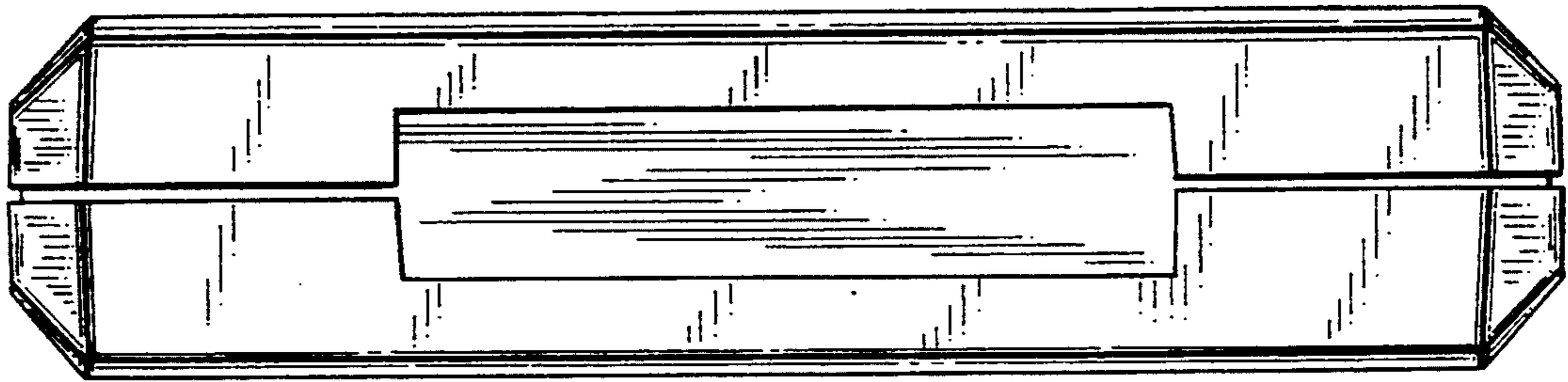


FIG. 3

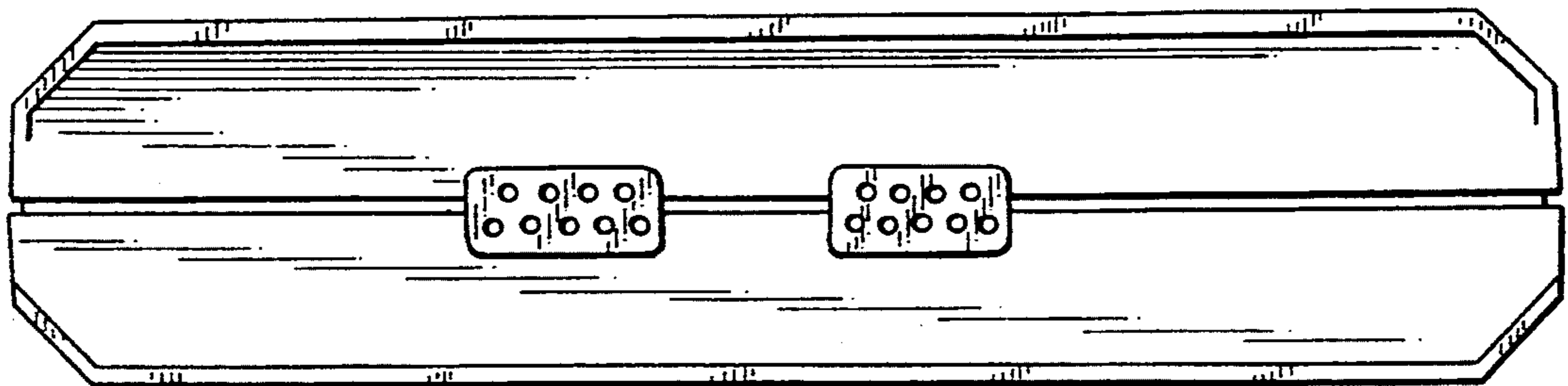


FIG. 5

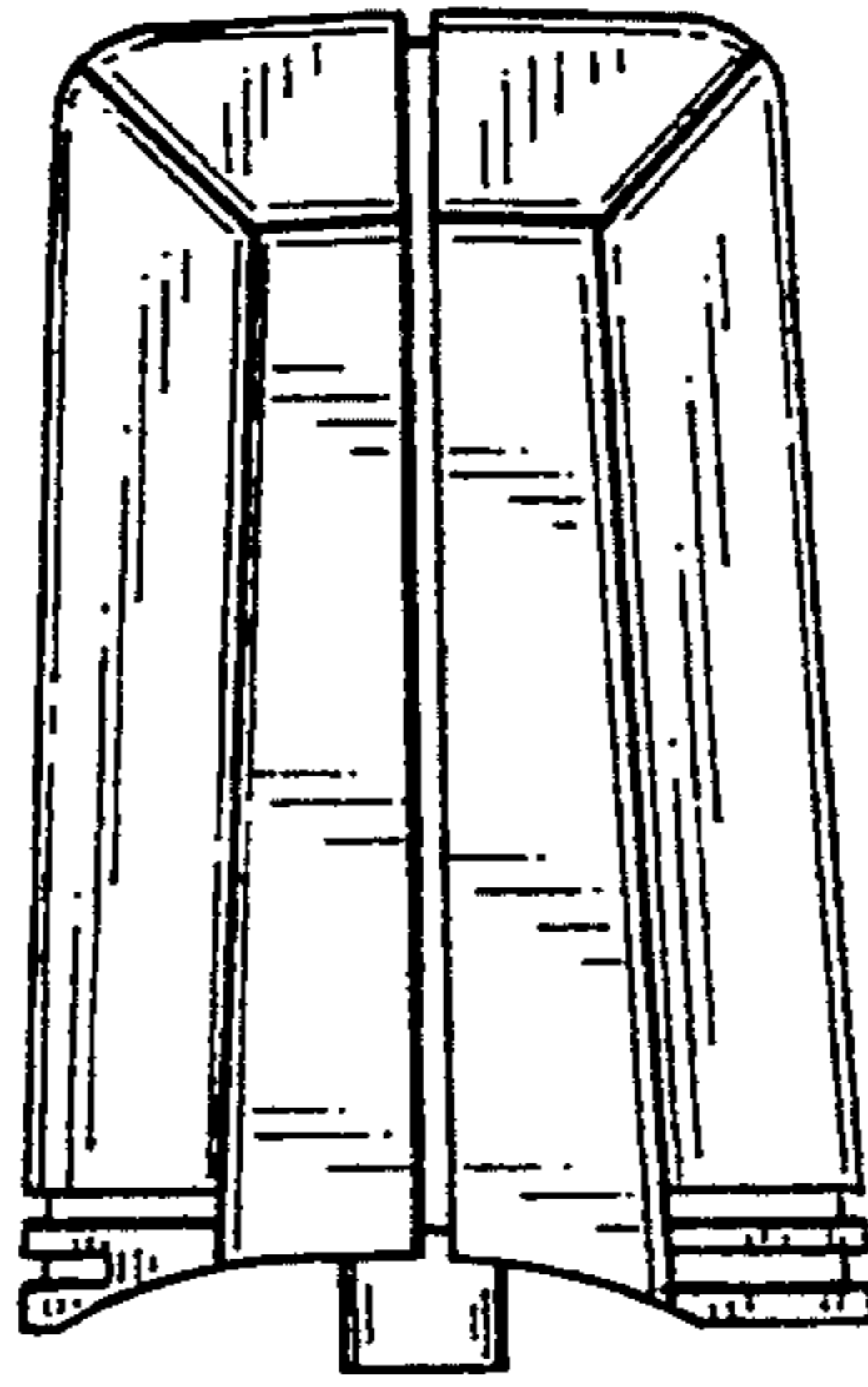


FIG. 4

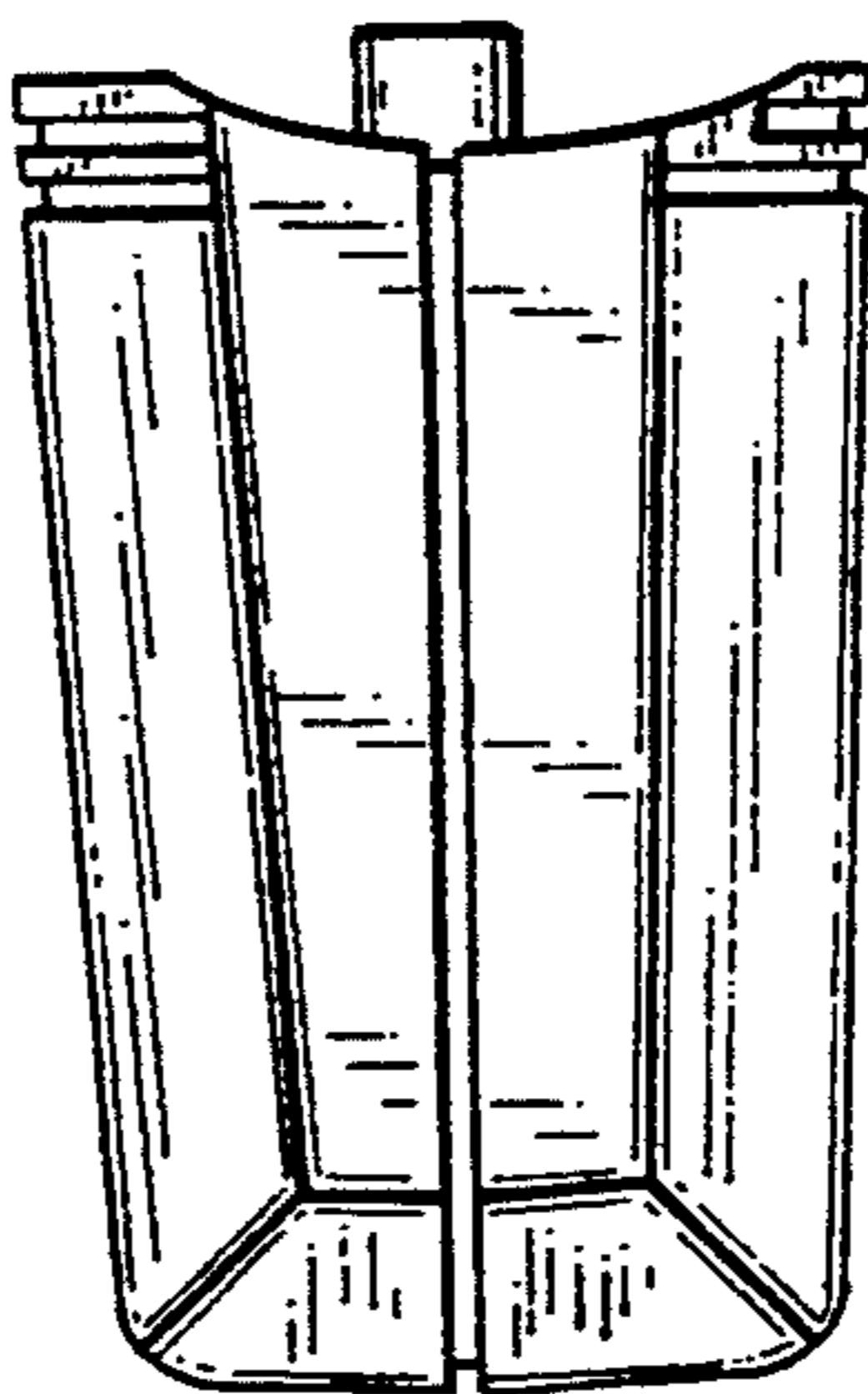


FIG. 6

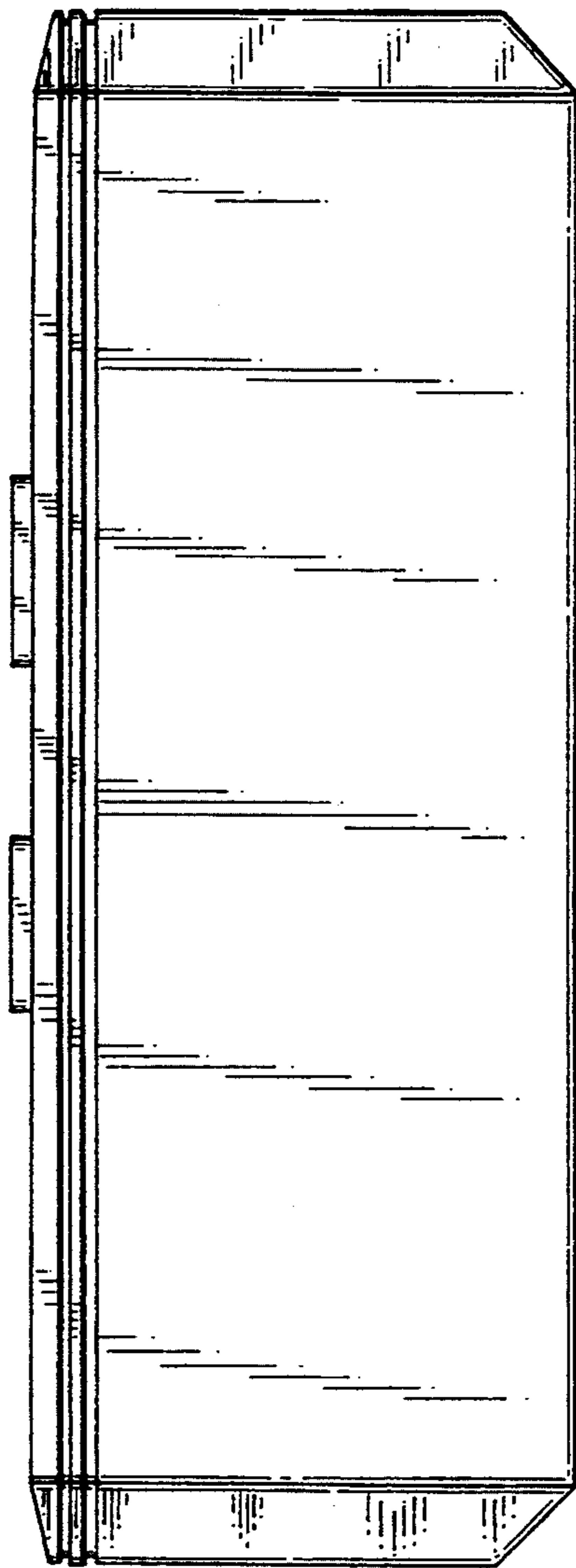


FIG. 7

