



US00D357284S

United States Patent [19]
Patterson

[11] **Patent Number: Des. 357,284**
[45] **Date of Patent: ** Apr. 11, 1995**

[54] **DICE GAME BOX**

[76] **Inventor: Randy W. Patterson, 616 Richmond St., Rockwell City, Iowa 50579**

[**] **Term: 14 Years**

[21] **Appl. No.: 16,665**

[22] **Filed: Dec. 21, 1993**

[52] **U.S. Cl. D21/41**

[58] **Field of Search D21/37, 41; 273/145 A, 273/145 B, 268**

[56] **References Cited**

U.S. PATENT DOCUMENTS

- D. 297,250 8/1988 Gouin et al. D21/41
- D. 323,859 2/1992 Russell D21/41

FOREIGN PATENT DOCUMENTS

- 1544833 9/1968 France 273/268
- 2232897 1/1991 United Kingdom 273/268

Primary Examiner—Terry A. Wallace
Attorney, Agent, or Firm—G. Brian Pingel

[57] **CLAIM**

The ornamental design for a dice game box, as shown and described.

DESCRIPTION

FIG. 1 is a front-side perspective view of a dice game box showing my new design;
 FIG. 2 is a top plan view thereof;
 FIG. 3 is a bottom view thereof;
 FIG. 4 is a rear elevational view thereof, the front being a mirror image of the rear shown; and,
 FIG. 5 is a side elevational view thereof, the opposite side being a mirror image of the side shown.

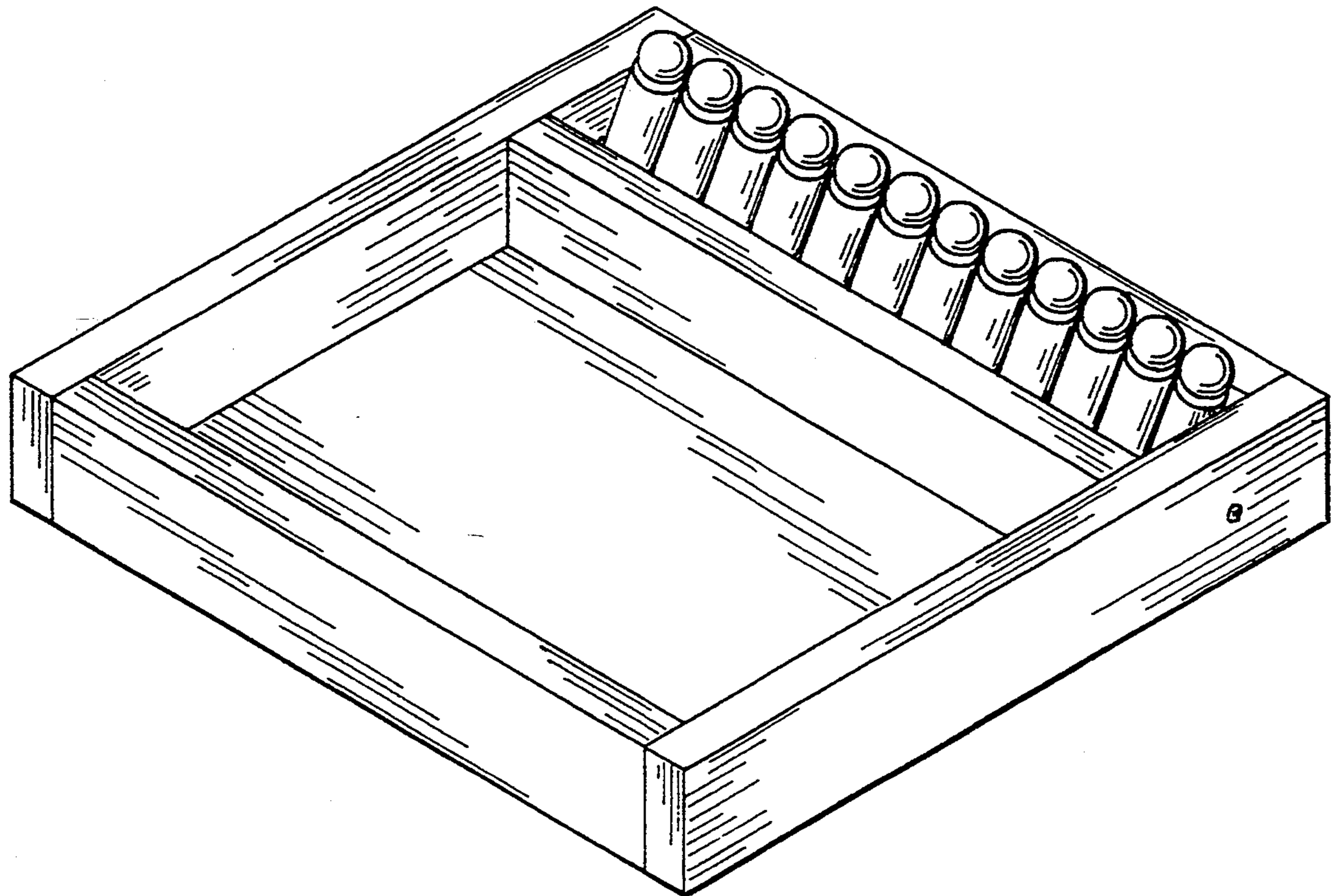


FIG. 1

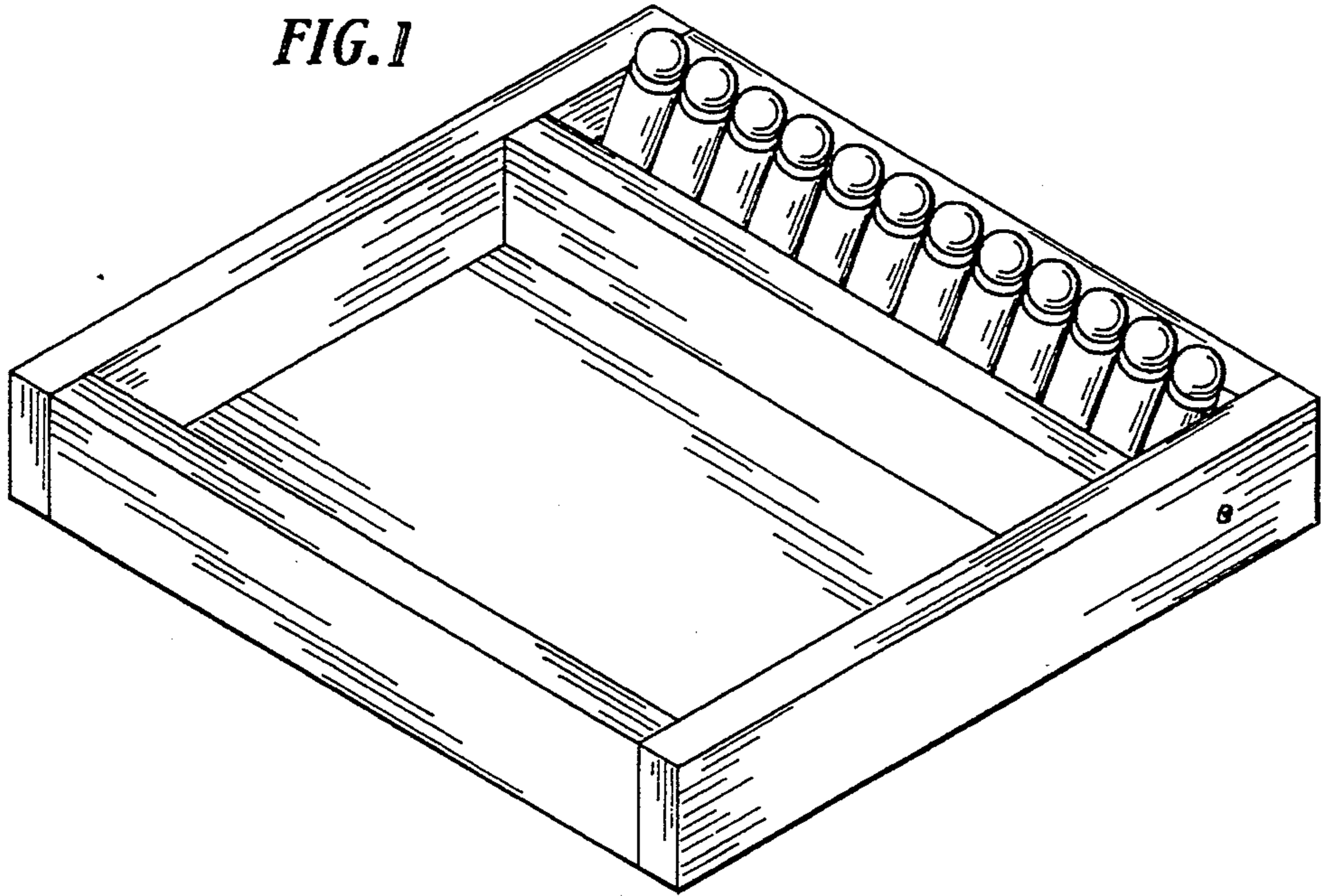


FIG. 2

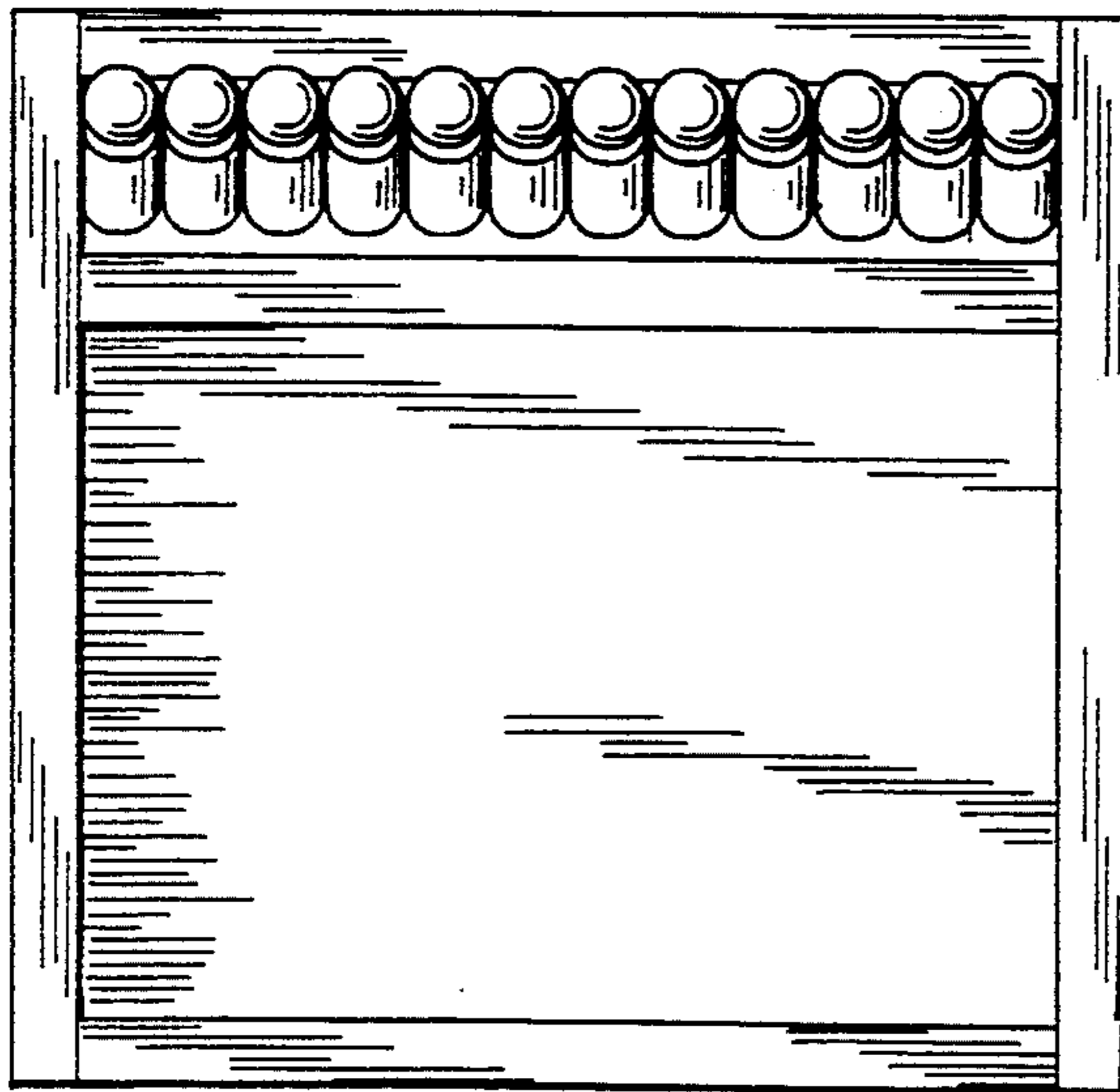


FIG. 3

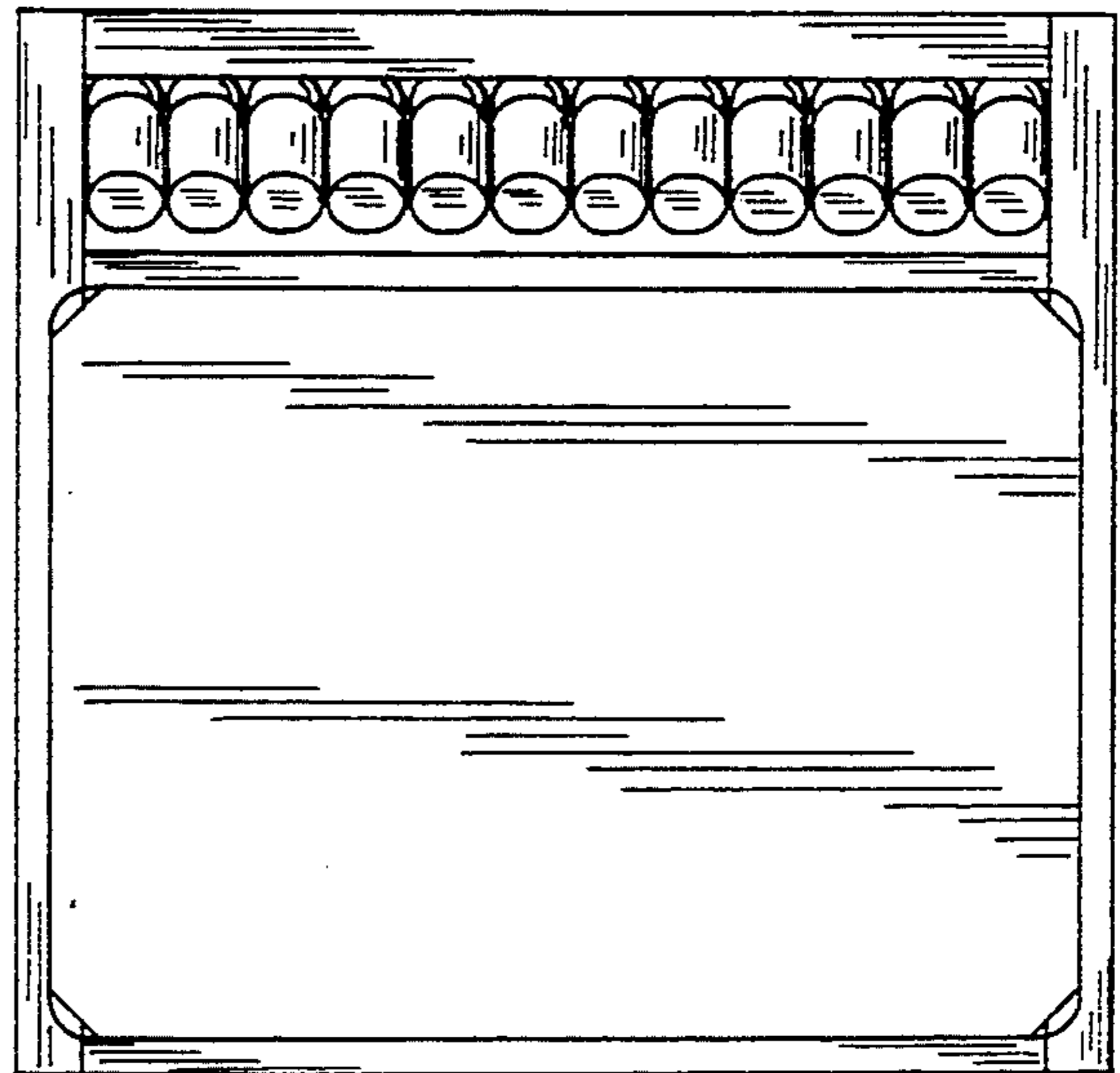


FIG. 4

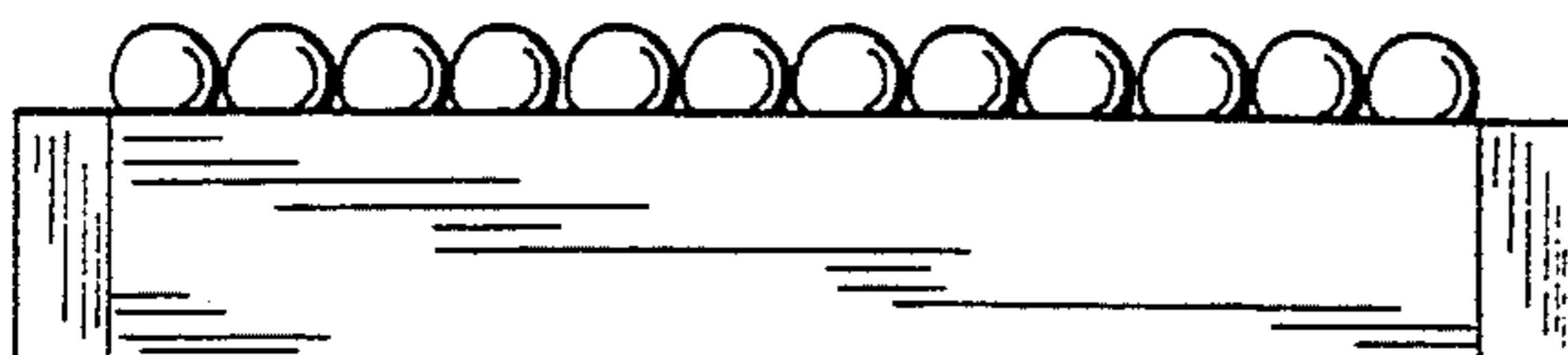


FIG. 5

