



US00D357283S

# United States Patent [19]

[11] Patent Number: **Des. 357,283**

Maxwell

[45] Date of Patent: **\*\* Apr. 11, 1995**

[54] GOLF TABLE

3,051,487 8/1962 Miller ..... D21/11  
3,695,614 10/1972 Brisson ..... 273/241

[76] Inventor: **Roy E. Maxwell**, P.O. Box 431,  
Refugio, Tex. 78377

### FOREIGN PATENT DOCUMENTS

[\*\*] Term: **14 Years**

2137891 10/1984 United Kingdom ..... 273/264

[21] Appl. No.: **12,755**

*Primary Examiner*—Theodore M. Shooman  
*Assistant Examiner*—Sandra Morris  
*Attorney, Agent, or Firm*—Gunn, Lee & Miller

[22] Filed: **Sep. 8, 1993**

[52] U.S. Cl. .... **D21/17**

### [57] CLAIM

[58] Field of Search ..... D21/8, 11, 14-36;  
273/236-288

The ornamental design for a golf table, as shown and described.

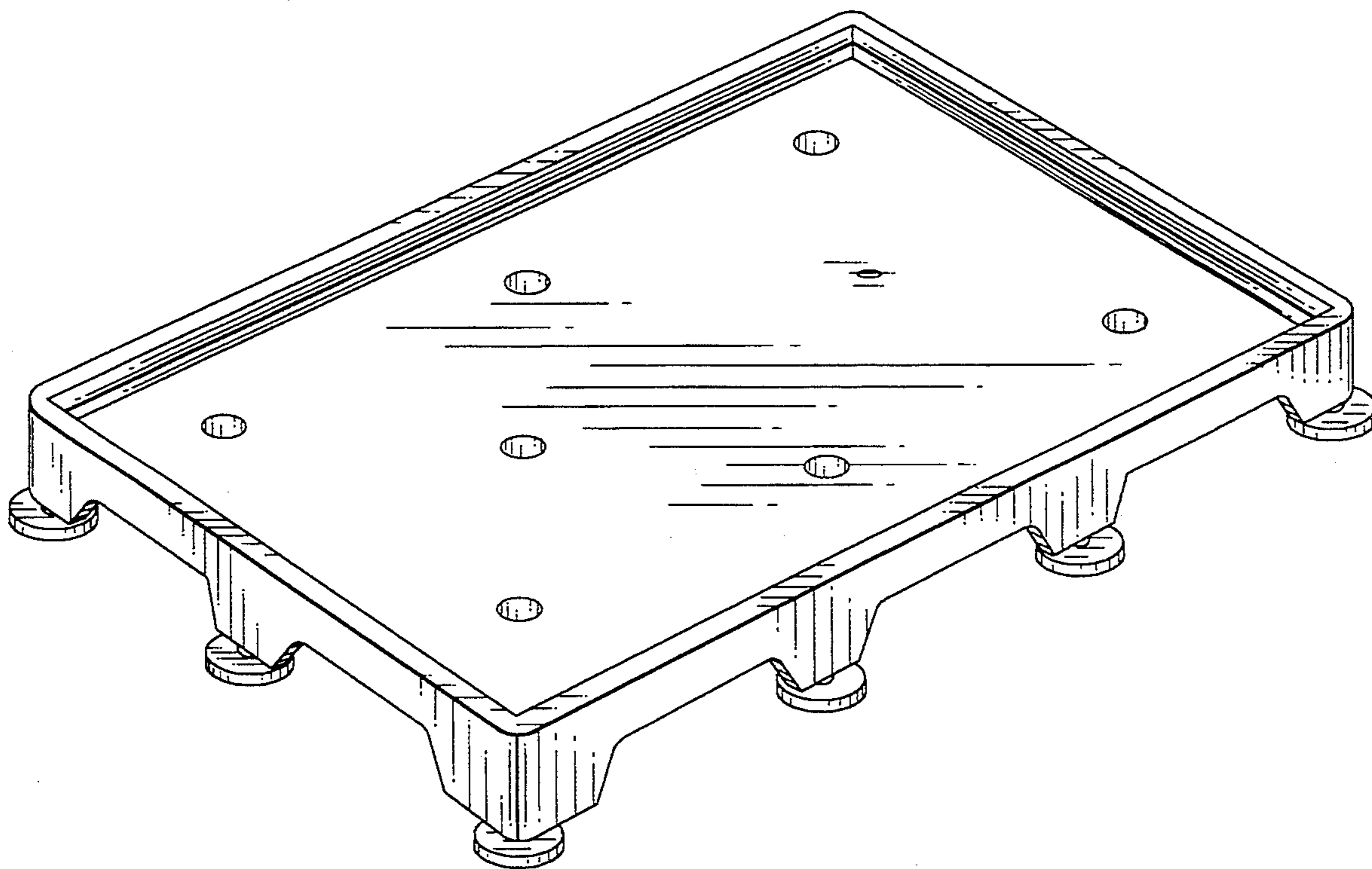
### [56] References Cited

### DESCRIPTION

#### U.S. PATENT DOCUMENTS

D. 27,788	10/1897	Haskell	.....	D21/17
D. 207,540	5/1967	Hengle	.....	D21/11
D. 225,540	12/1972	Satoh	.....	D21/16
D. 235,669	7/1975	Le Mieux	.....	D21/16
D. 236,843	9/1975	Osmundson	.....	D21/11
D. 242,478	11/1976	Howell	.....	D21/17
D. 294,720	3/1988	MacDowell	.....	D21/11
443,889	12/1890	Armstrong	.....	D21/11
1,369,992	3/1921	Turner	.....	D21/16

FIG. 1 is a front, top, and right side perspective view of a golf table showing my new design;  
FIG. 2 is a bottom, rear, left side perspective view thereof;  
FIG. 3 is a top plan view thereof;  
FIG. 4 is a right side elevation view thereof;  
FIG. 5 is a front elevation view thereof;  
FIG. 6 is a rear elevation view thereof;  
FIG. 7 is a left side elevation view thereof; and,  
FIG. 8 is a bottom plan view thereof.



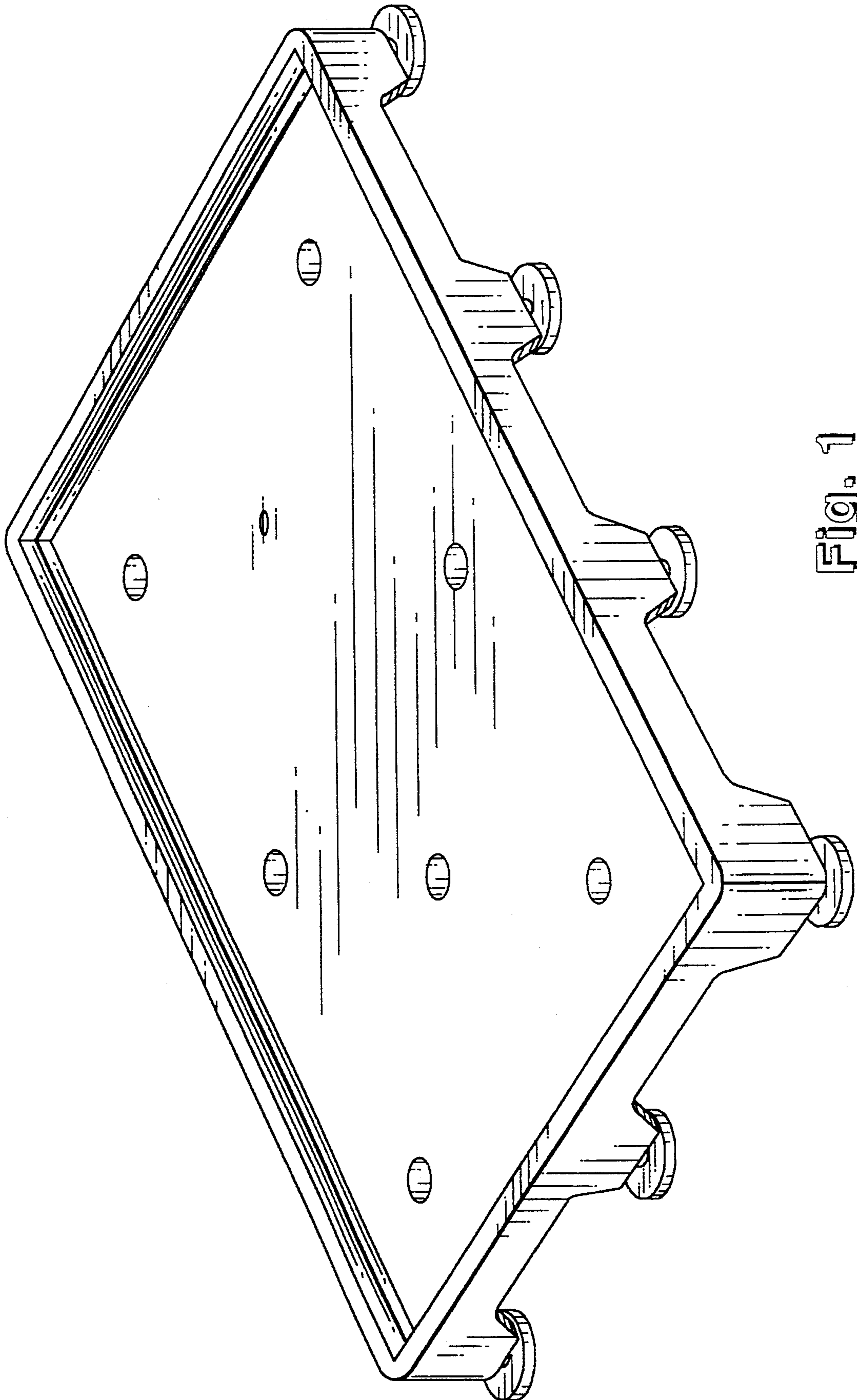


Fig. 1

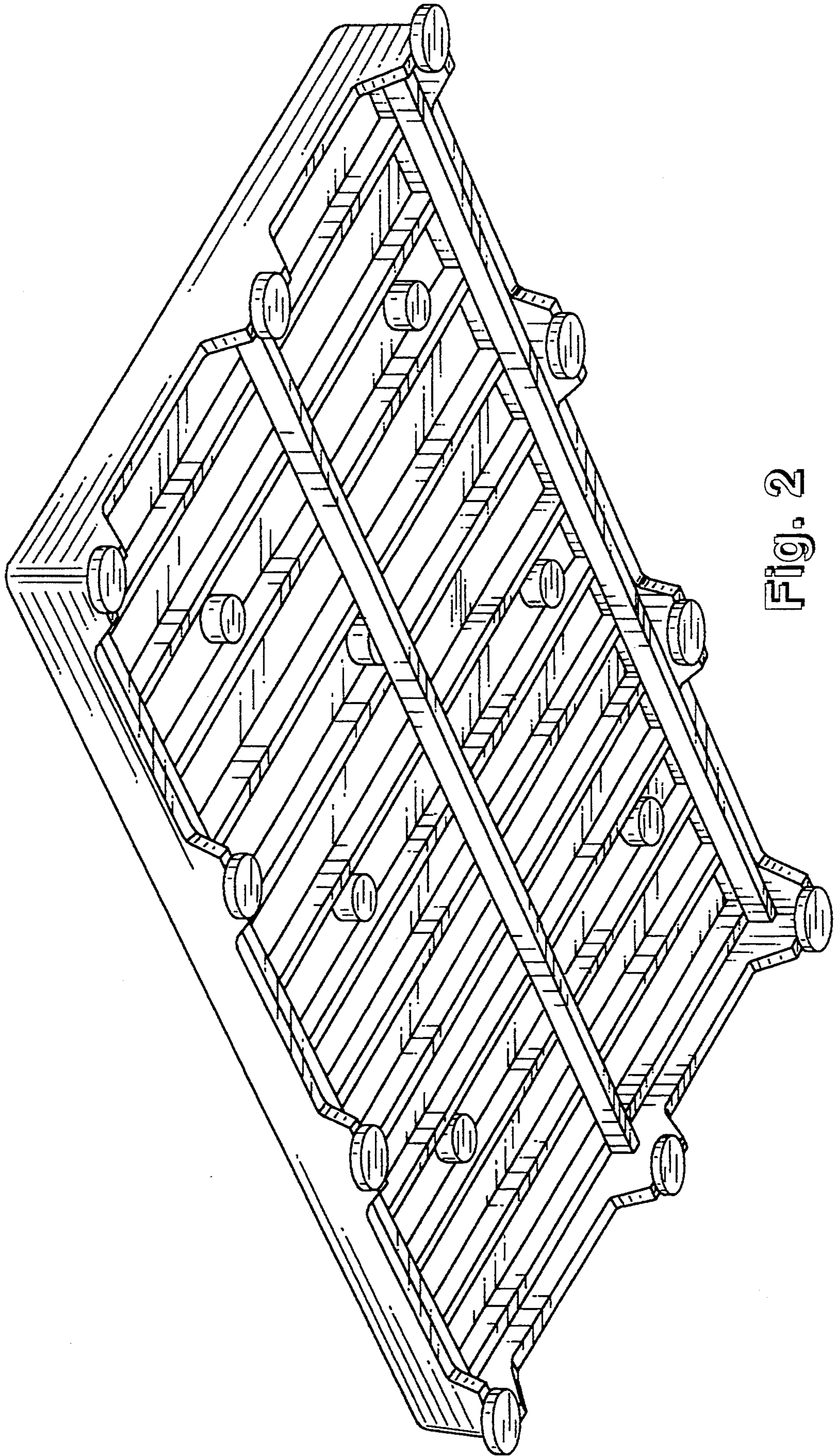


Fig. 2

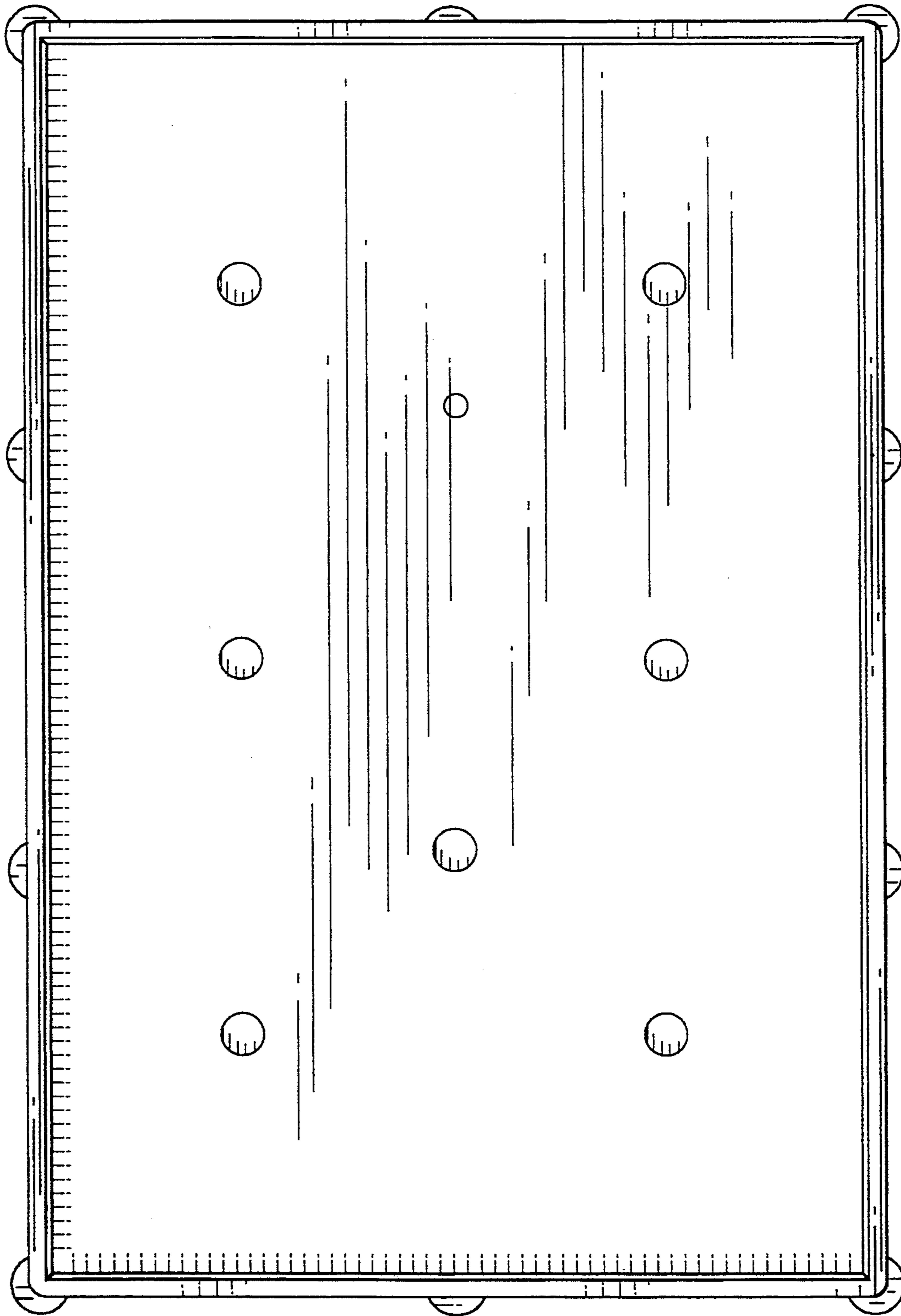


Fig. 3

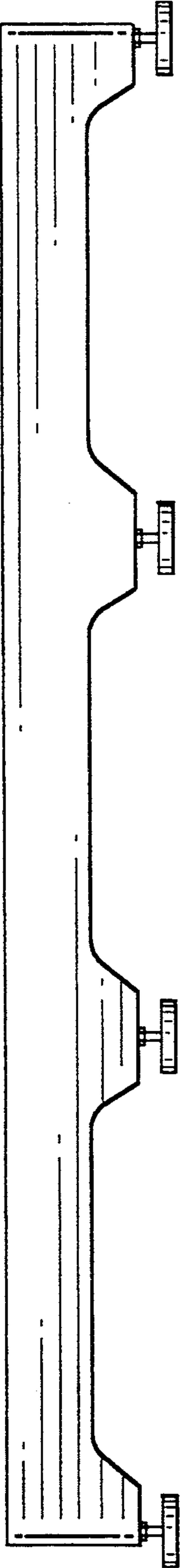


Fig. 4

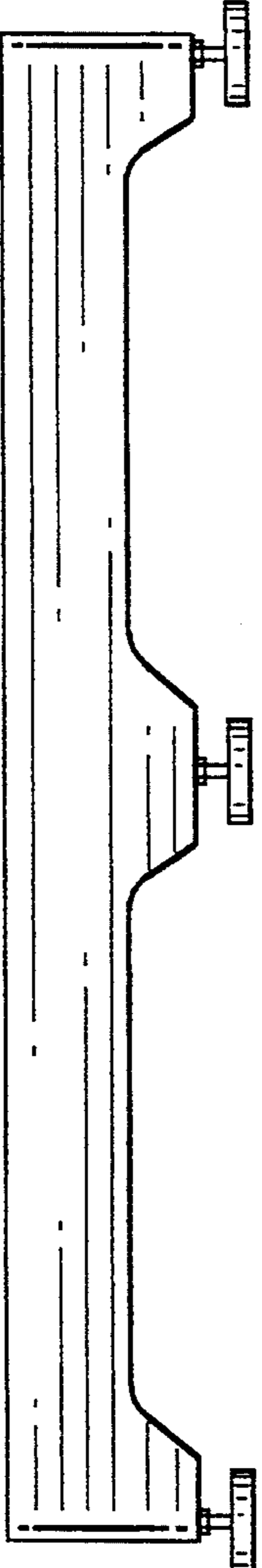


Fig. 5

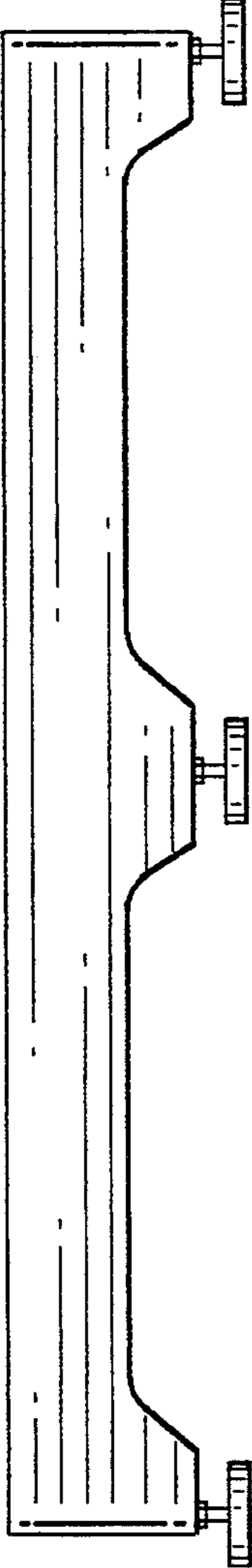


Fig. 6

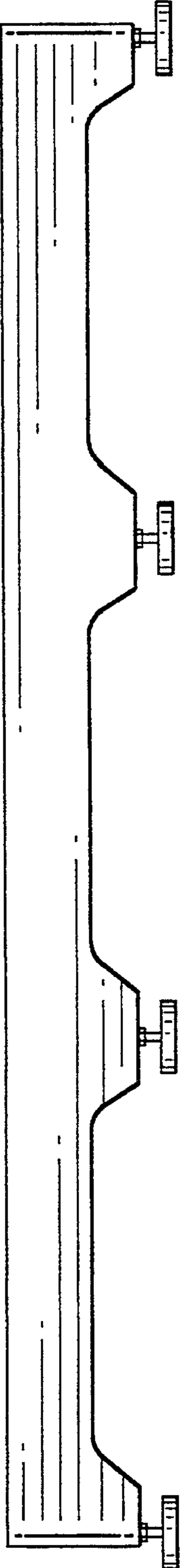


Fig. 7

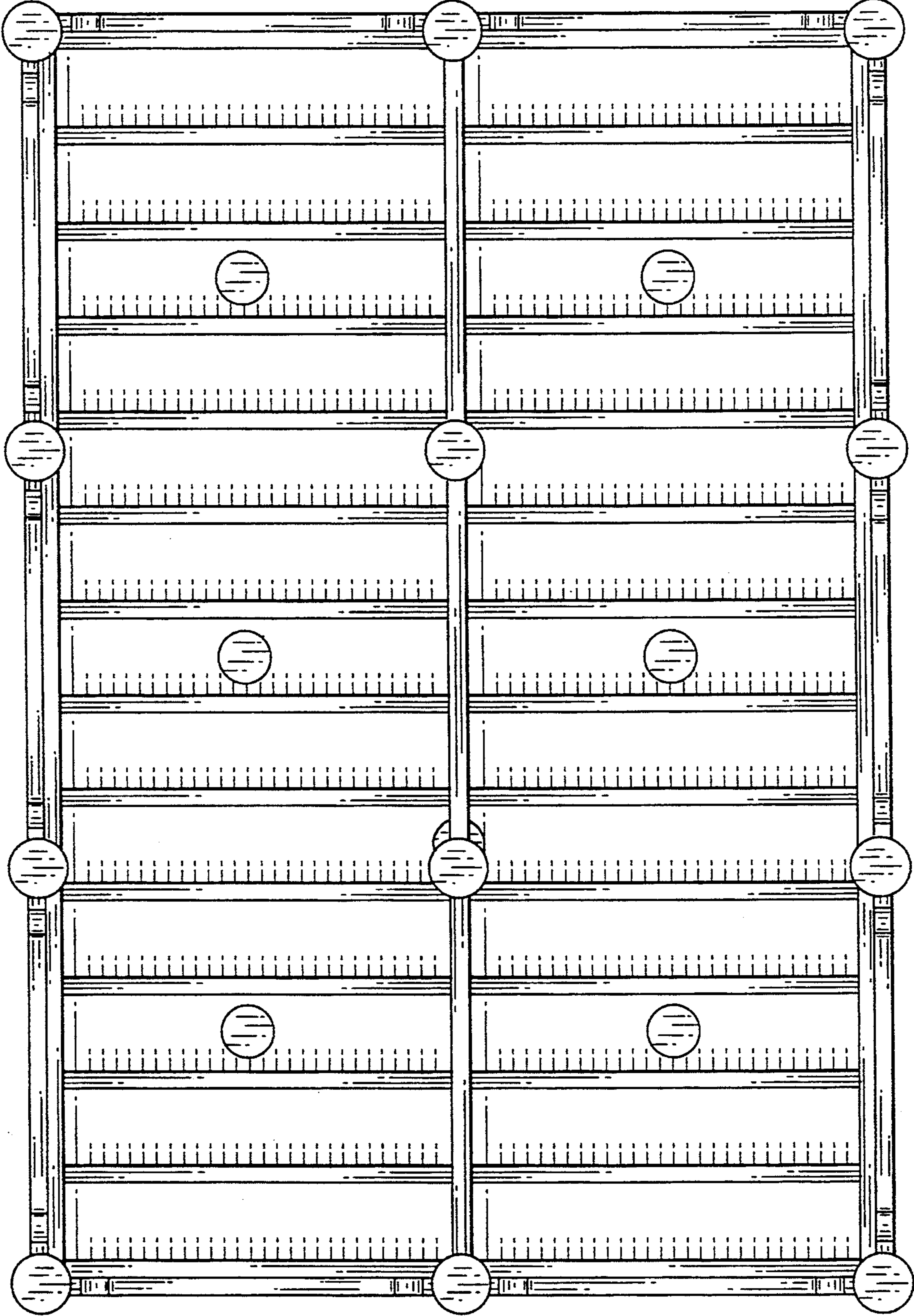


Fig. 8