



US00D357282S

United States Patent [19]

[11] Patent Number: **Des. 357,282**

Arad et al.

[45] Date of Patent: **** Apr. 11, 1995**

- [54] **PINBALL MACHINE WITH ATTACHED HUMAN FIGURE**
- [75] Inventors: **Avi Arad, Westport, Conn.; Finn Tornquist, Warren, N.J.**
- [73] Assignee: **Toy Biz, Inc., New York, N.Y.**
- [**] Term: **14 Years**
- [21] Appl. No.: **2,847**
- [22] Filed: **Dec. 22, 1992**
- [52] U.S. Cl. **D21/10**
- [58] Field of Search **D21/8, 9, 10, 1; 273/121 R, 121 A, 236, 287, 313, 108**

TOMY Catalog, "The Magical World of Tomy", 1991, pp. 28-29.
 Advertisement, Playtime Products, Inc., "The Uncanny X-Men, Batman, Turtles" (CR & TM 1991).
 Hoffman, Carol, "Here's a game that will make you flip every time you play", Smithsonian, Jan. 1993, pp. 96-103.
 Playthings, Feb. 1980, p. 102, Item No. F bottom right of the page.
 Vending Times, Jun. 1979, p. 69, As shown.
 Playthings, Apr. 1979, p. 27, Top right of the page.

Primary Examiner—Prabhakar G. Deshmukh
Attorney, Agent, or Firm—Amster Rothstein & Ebenstein

[56] References Cited

U.S. PATENT DOCUMENTS

D. 253,120	10/1979	Bretschger	D21/9
D. 264,855	6/1982	Ohkado	D21/10
D. 327,916	7/1992	Spikes	D21/7 X
2,551,698	5/1951	Pearl et al.	273/121 A
3,963,241	6/1976	Meyer	273/121 R
4,162,793	7/1979	Cummings	273/121 A
5,123,647	6/1992	Lawlor et al.	273/121 A

OTHER PUBLICATIONS

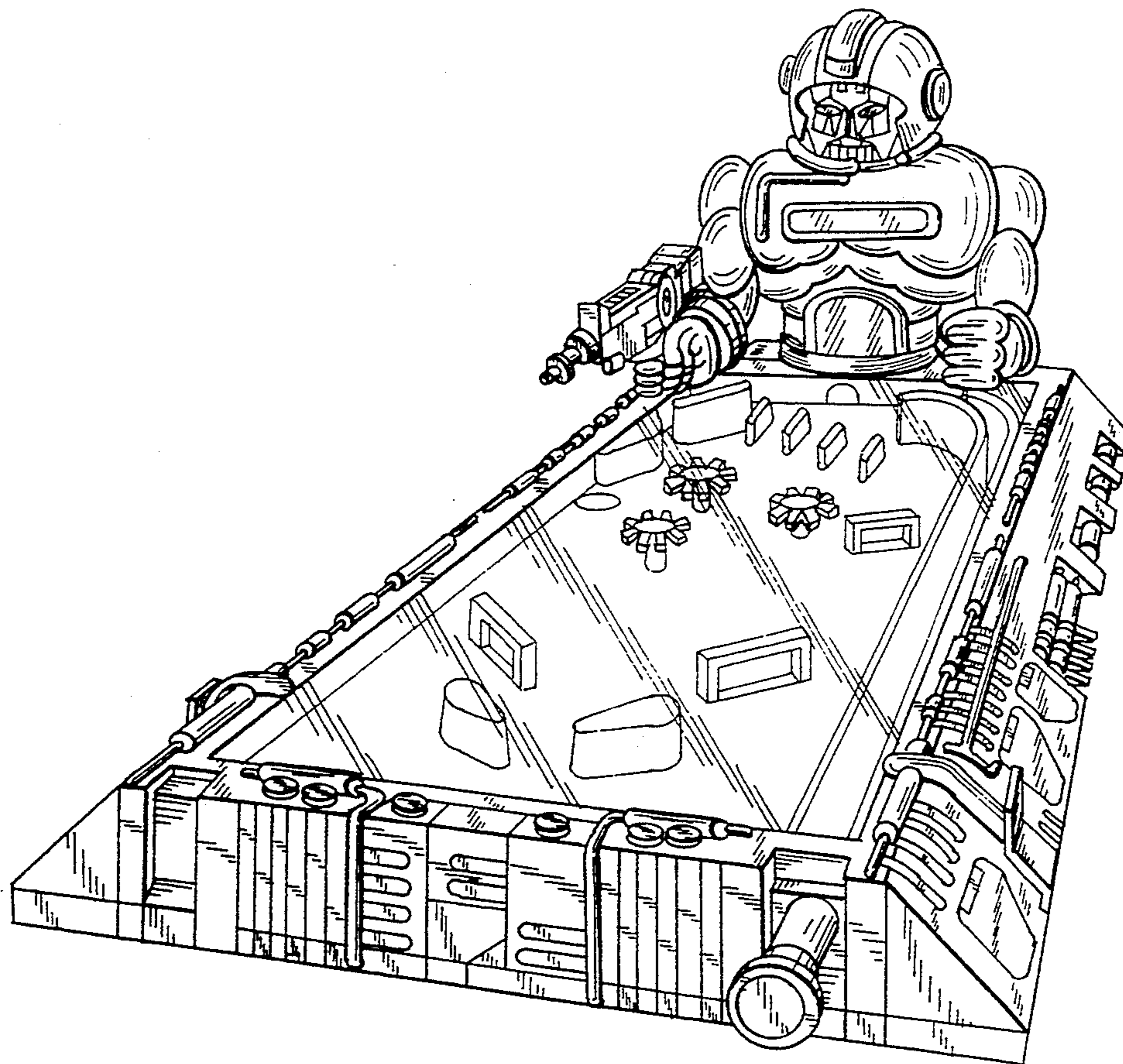
Playtime Catalog, "Reach for the Stars '92", pp. 46-49.

[57] CLAIM

The ornamental design for a pinball machine with attached human figure, as shown and described.

DESCRIPTION

FIG. 1 is a perspective view of the pinball machine with attached human figure from the top, front and one side; FIG. 2 is a top plan view thereof; FIG. 3 is a front elevational view thereof; FIG. 4 is a rear elevational view thereof; FIG. 5 is a left side elevational view thereof; FIG. 6 is a right side elevational view thereof; and, FIG. 7 is a bottom plan view thereof.



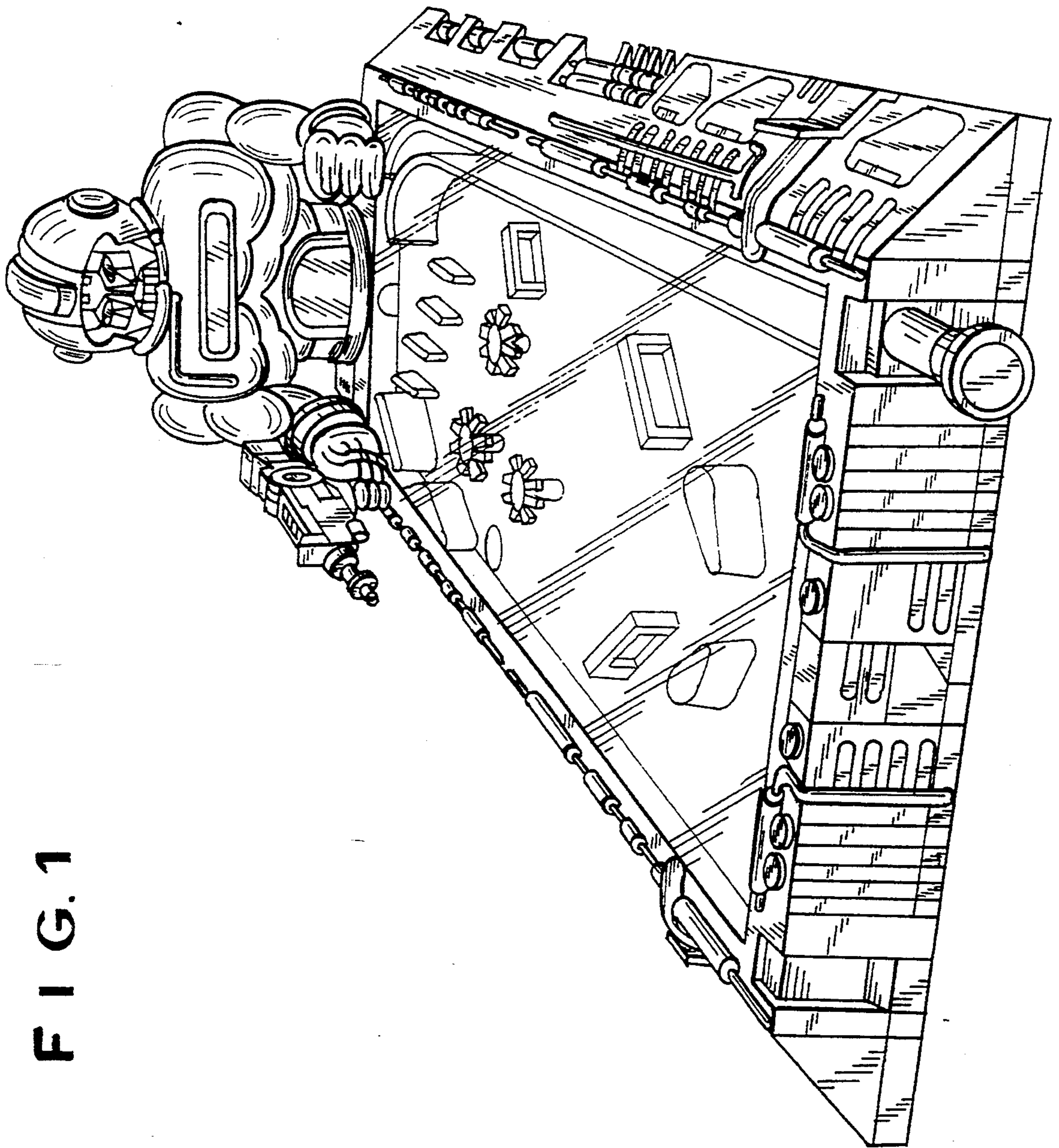


FIG. 1

FIG. 2

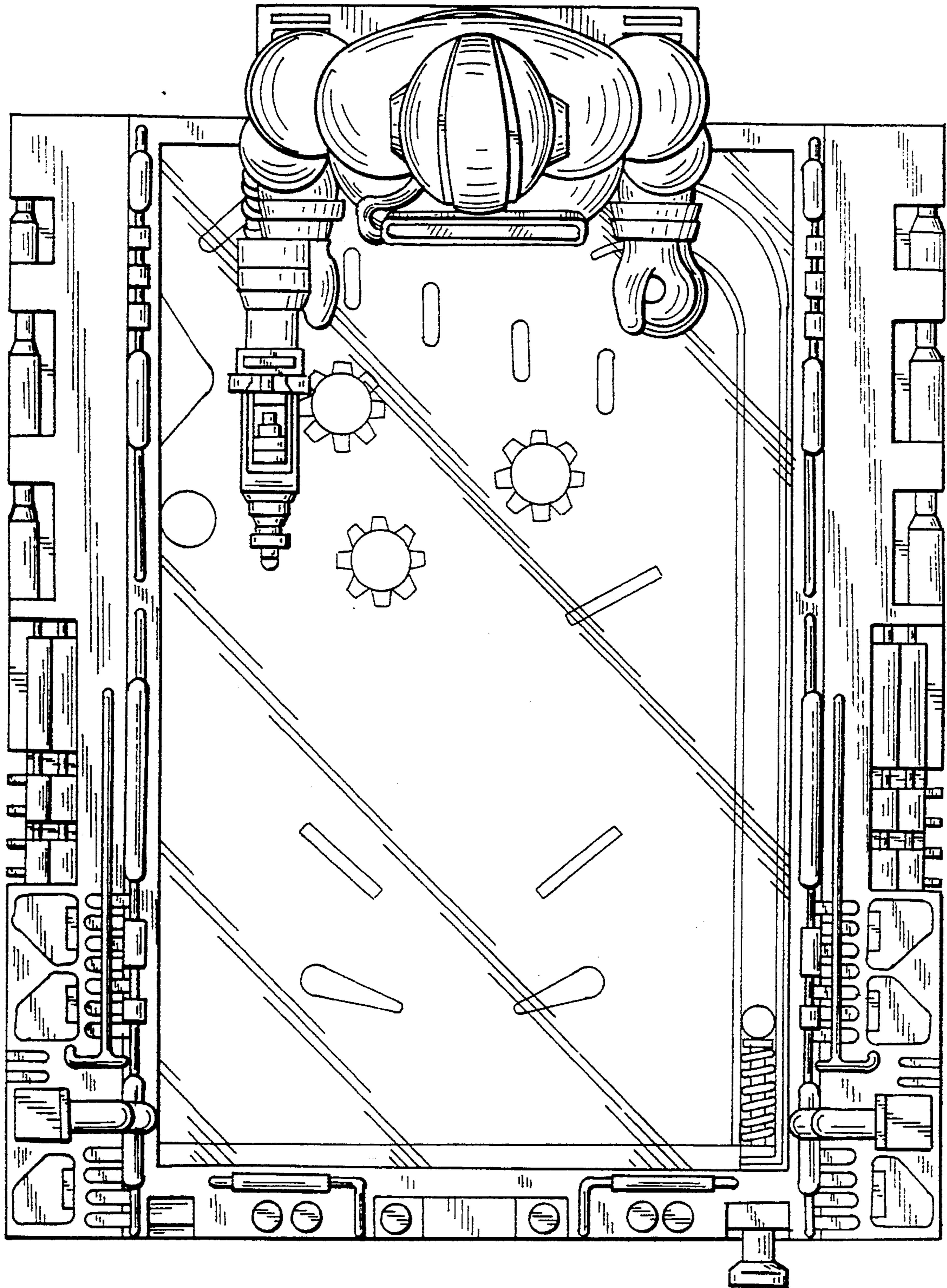
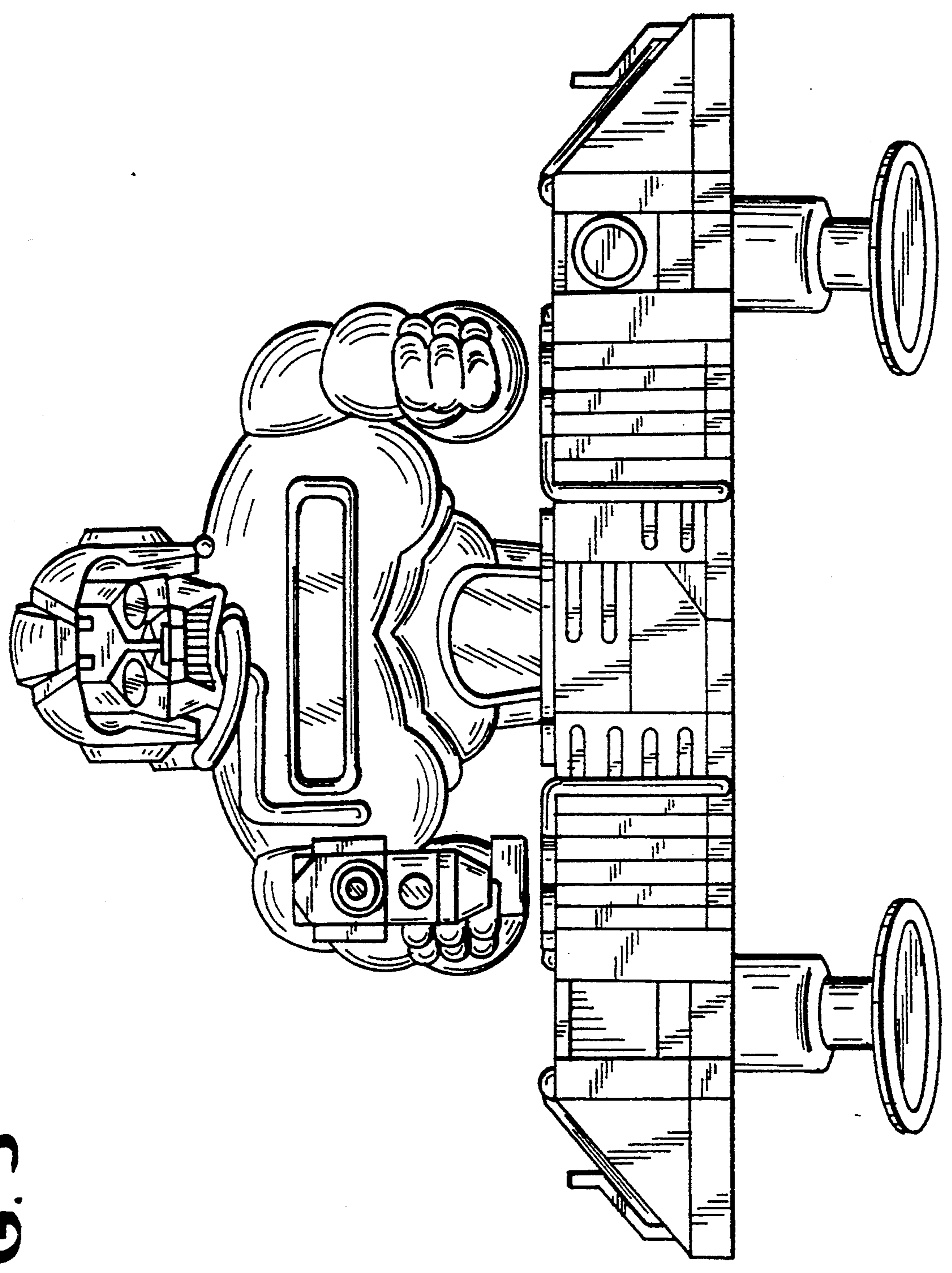


FIG. 3



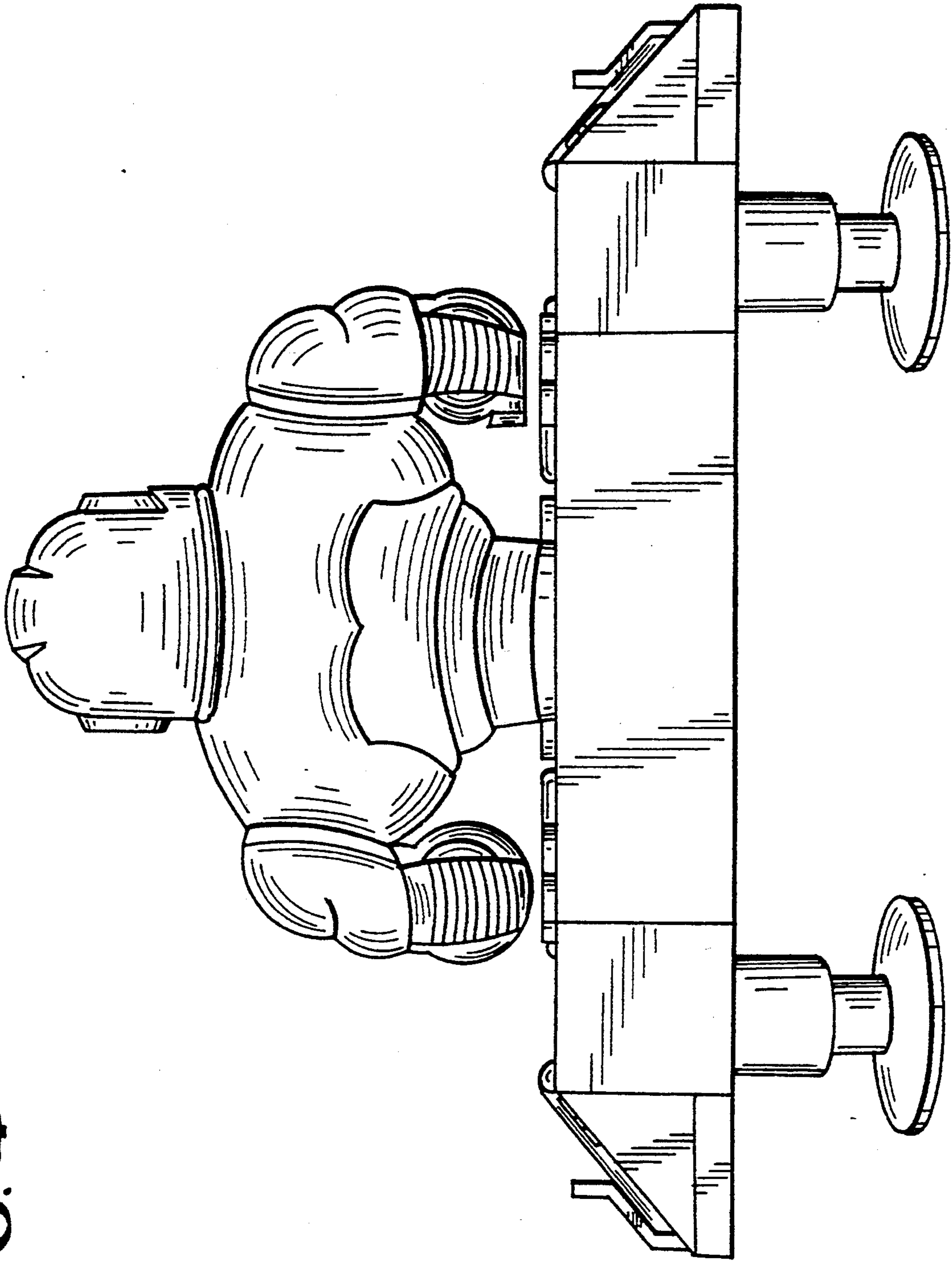
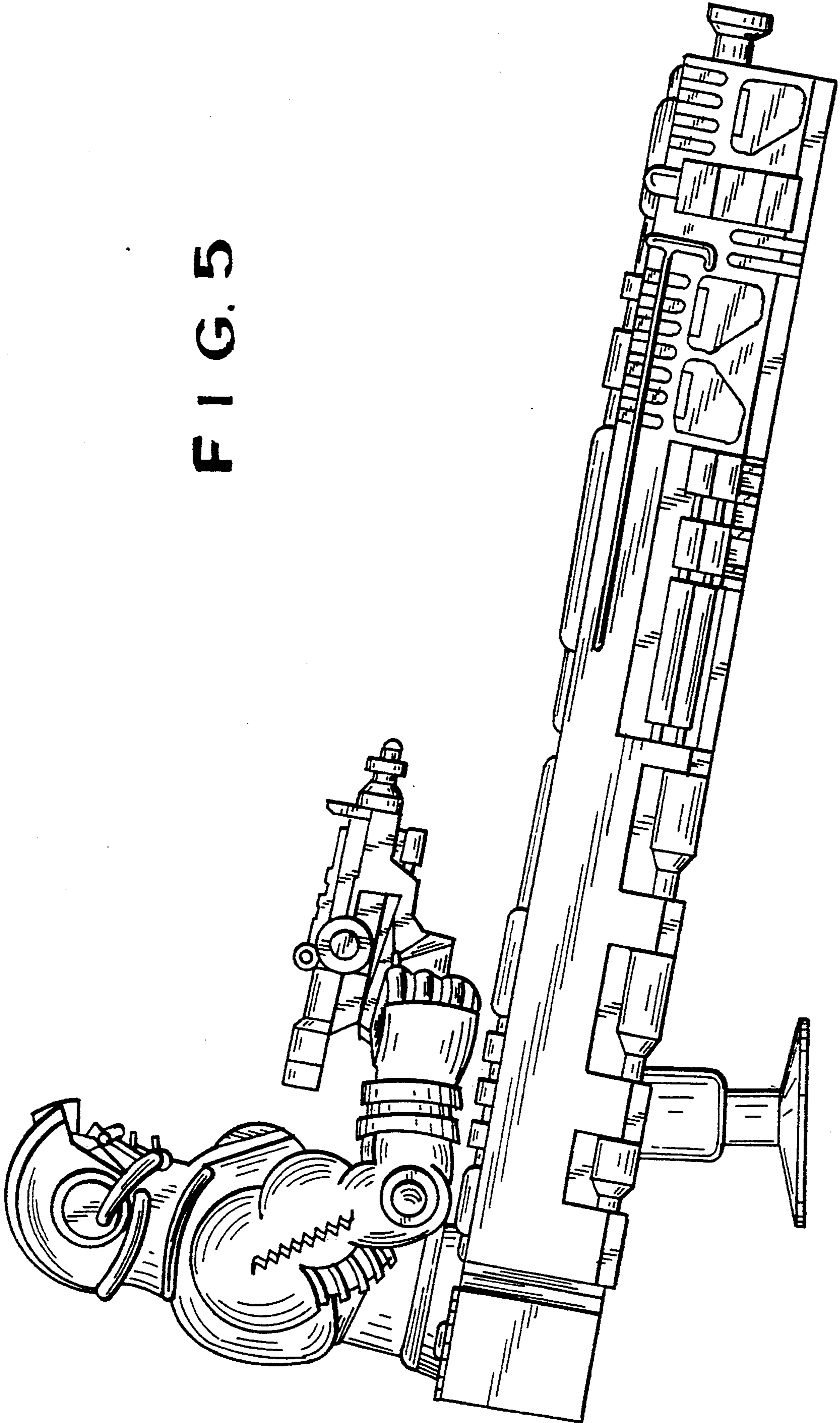


FIG. 4

FIG. 5



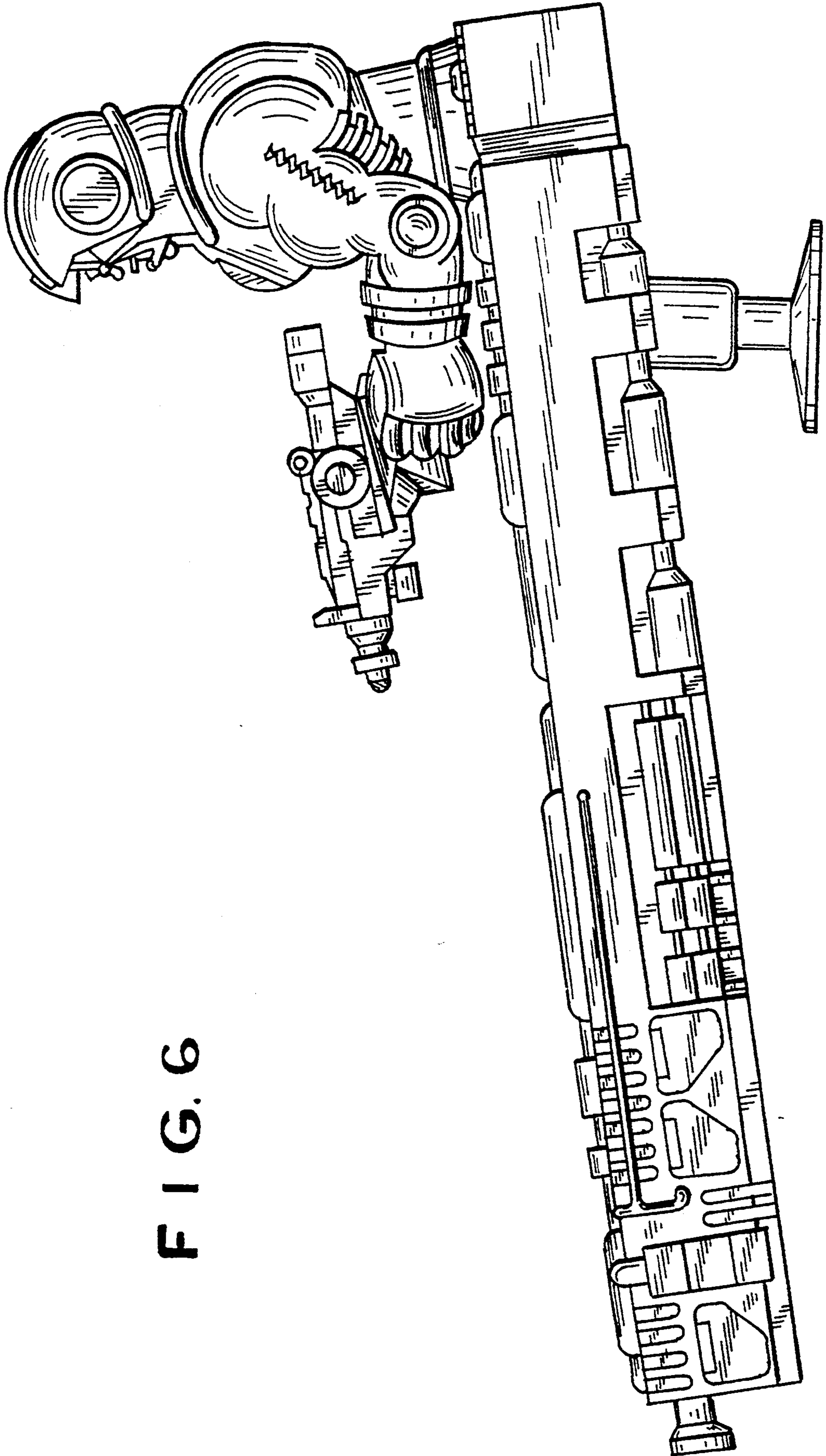


FIG. 6

FIG. 7

