



US00D357281S

United States Patent [19]

[11] Patent Number: **Des. 357,281**

van Eijben et al.

[45] Date of Patent: **** Apr. 11, 1995**

[54] **PEN RACK**

[75] Inventors: **Bruno N. van Eijben, Koornmarkt; Wolfram Peters; Peter Krouwel, both of Leiden, all of Netherlands**

[73] Assignee: **Randstad Diestengroep Nederland B.V., Netherlands**

[**] Term: **14 Years**

[21] Appl. No.: **14,219**

[22] Filed: **Oct. 15, 1993**

[30] **Foreign Application Priority Data**

May 17, 1993 [XH] Hague Agreement DM/026166

[52] U.S. Cl. **D19/85; D19/77; D19/95**

[58] Field of Search D19/35, 36, 65, 75, D19/77, 78, 81-85, 95, 99, 100; 206/214, 224, 371; 211/69.1-69.9, 69, 62

[56] **References Cited**

U.S. PATENT DOCUMENTS

D. 216,843 3/1970 Lew D19/85 X
D. 217,993 7/1970 Woofter D19/77 X

D. 226,041 1/1973 Woofter D19/85
D. 233,952 12/1974 Shay D19/85
D. 254,853 4/1980 Grunstad D19/85 X
1,174,770 3/1916 Smith 211/69.8
3,593,856 7/1971 Zander 211/69.5
4,826,338 5/1989 Kilpatrick 211/69.1

FOREIGN PATENT DOCUMENTS

0278206 8/1988 European Pat. Off. 211/69.1

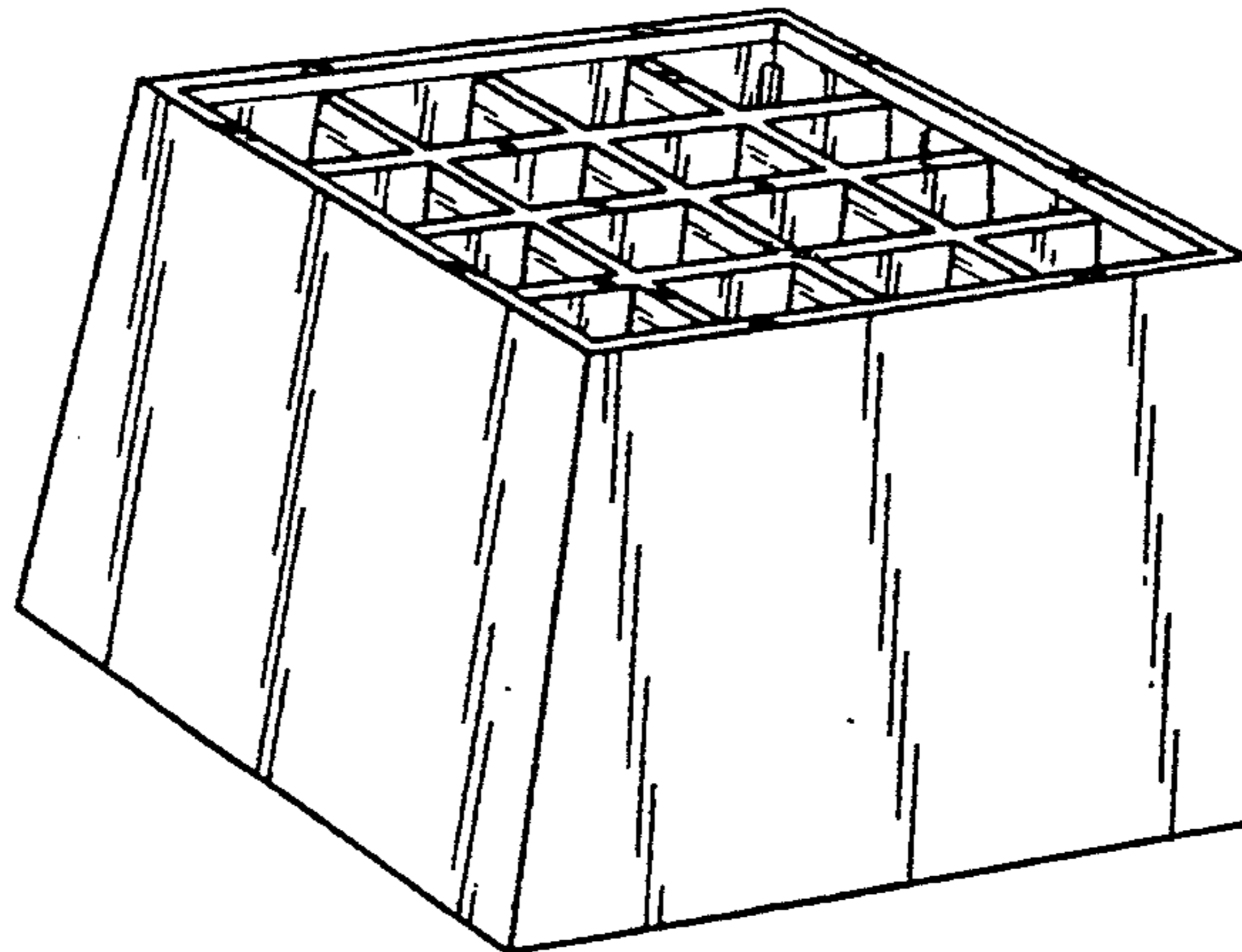
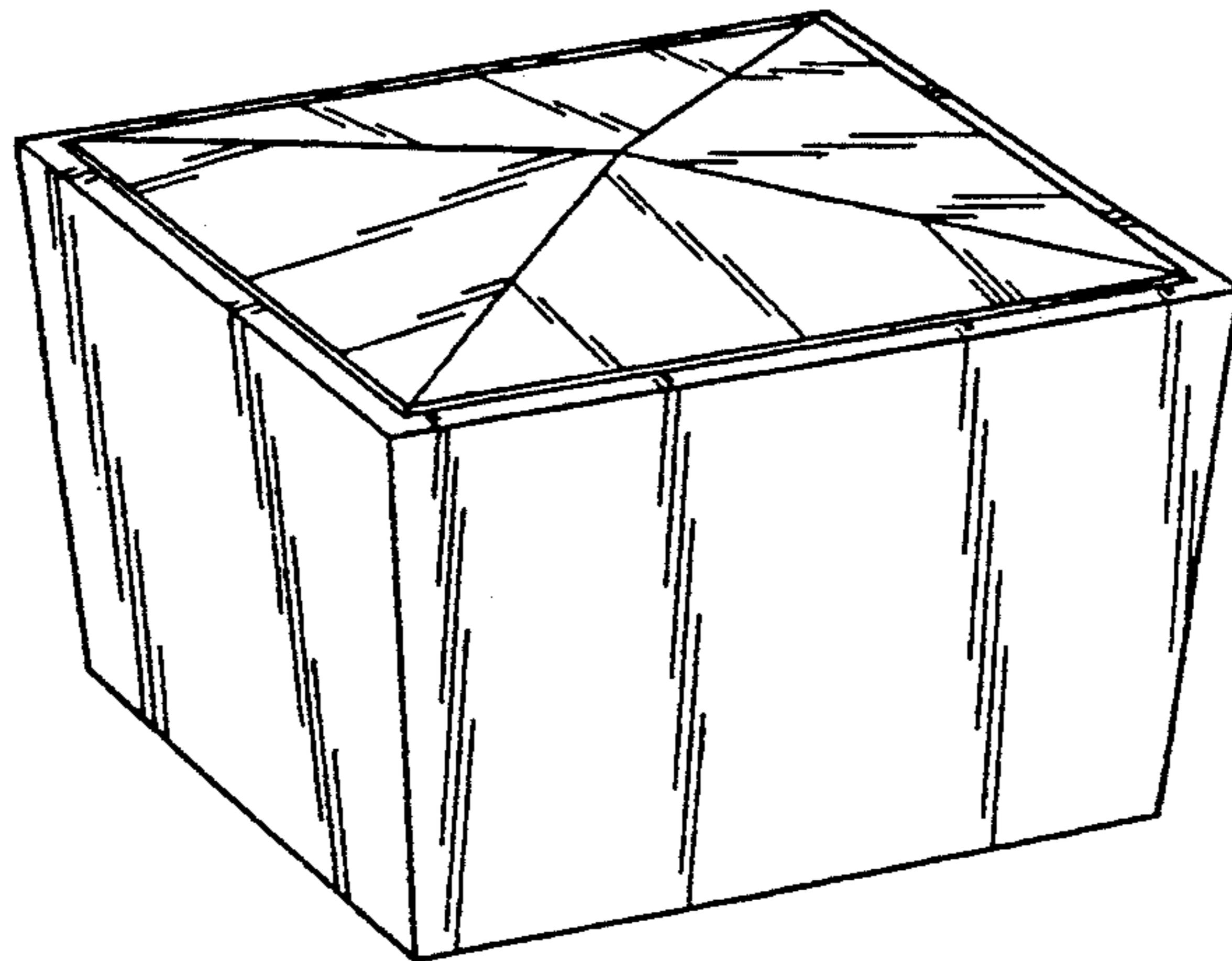
Primary Examiner—Martie Thompson
Attorney, Agent, or Firm—Diller, Ramik & Wight

[57] **CLAIM**

The ornamental design for a pen rack, as shown.

DESCRIPTION

FIG. 1 is a side and bottom perspective view of a pen rack showing our new design;
FIG. 2 is a side and top perspective view thereof;
FIG. 3 is a side elevational view of one side, all the other sides being a mirror image;
FIG. 4 is a bottom plan view thereof;
FIG. 5 is a top plan view thereof; and,
FIG. 6 is a cross-sectional view thereof on line A—A of FIG. 4.



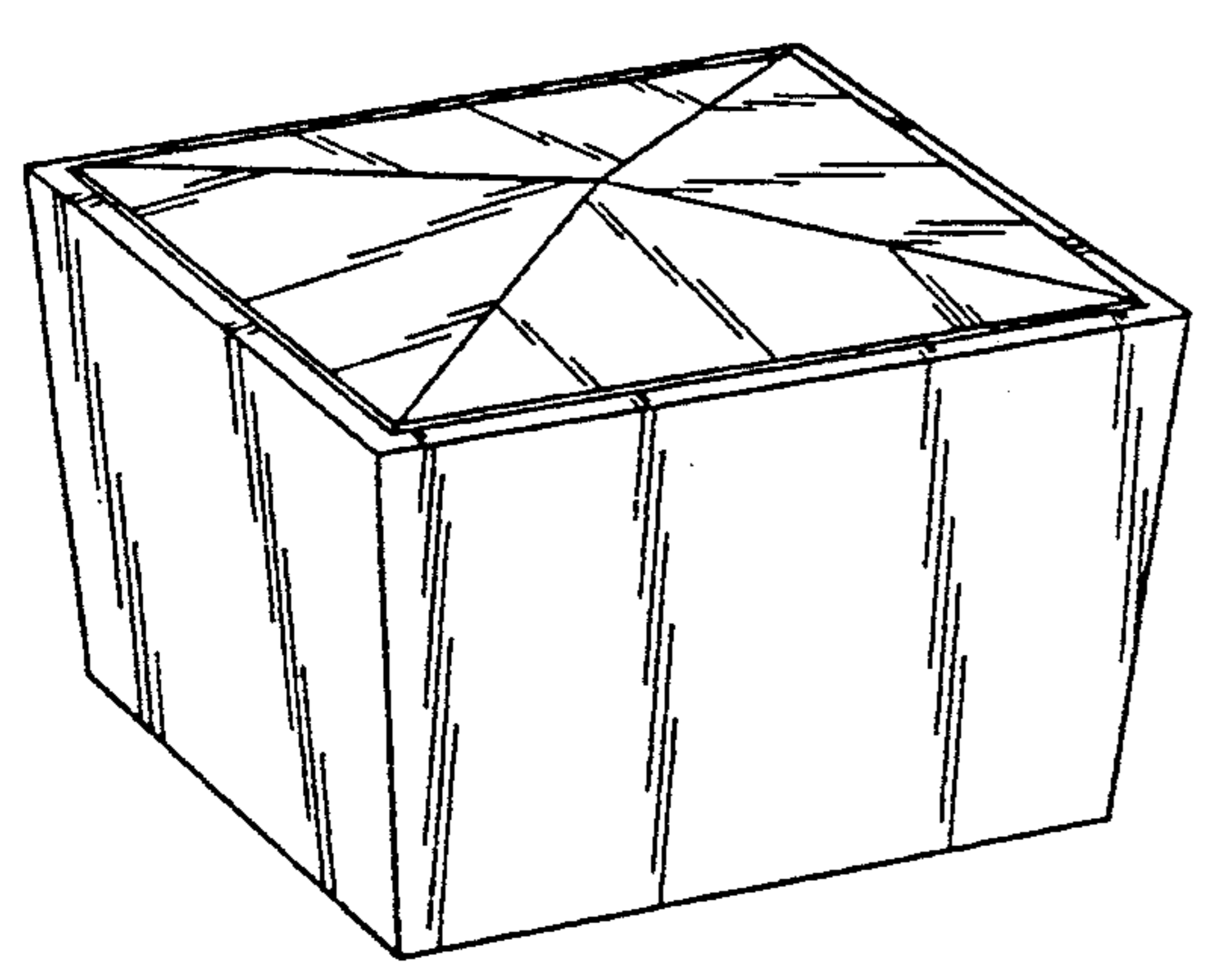


FIG. 1

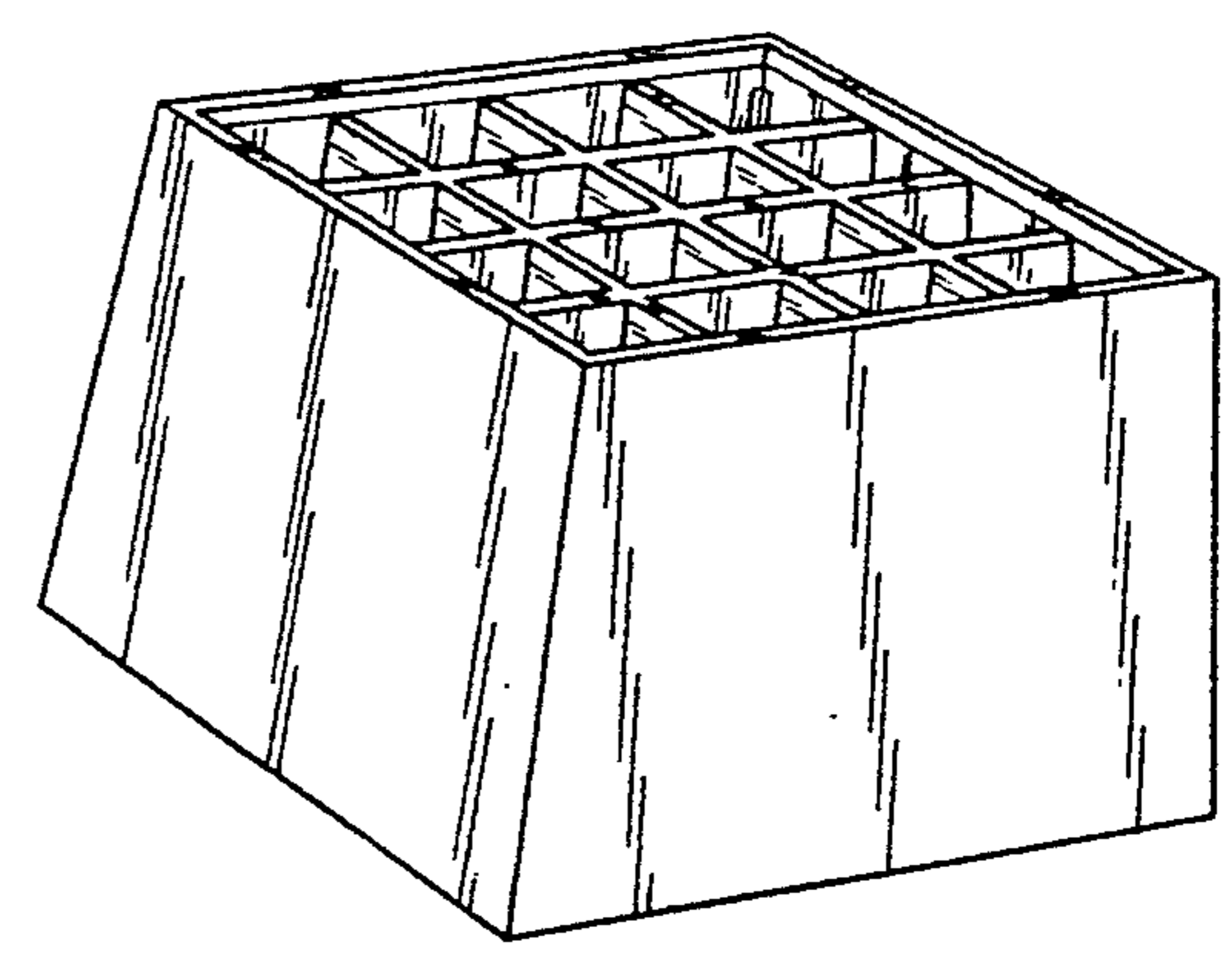


FIG. 2

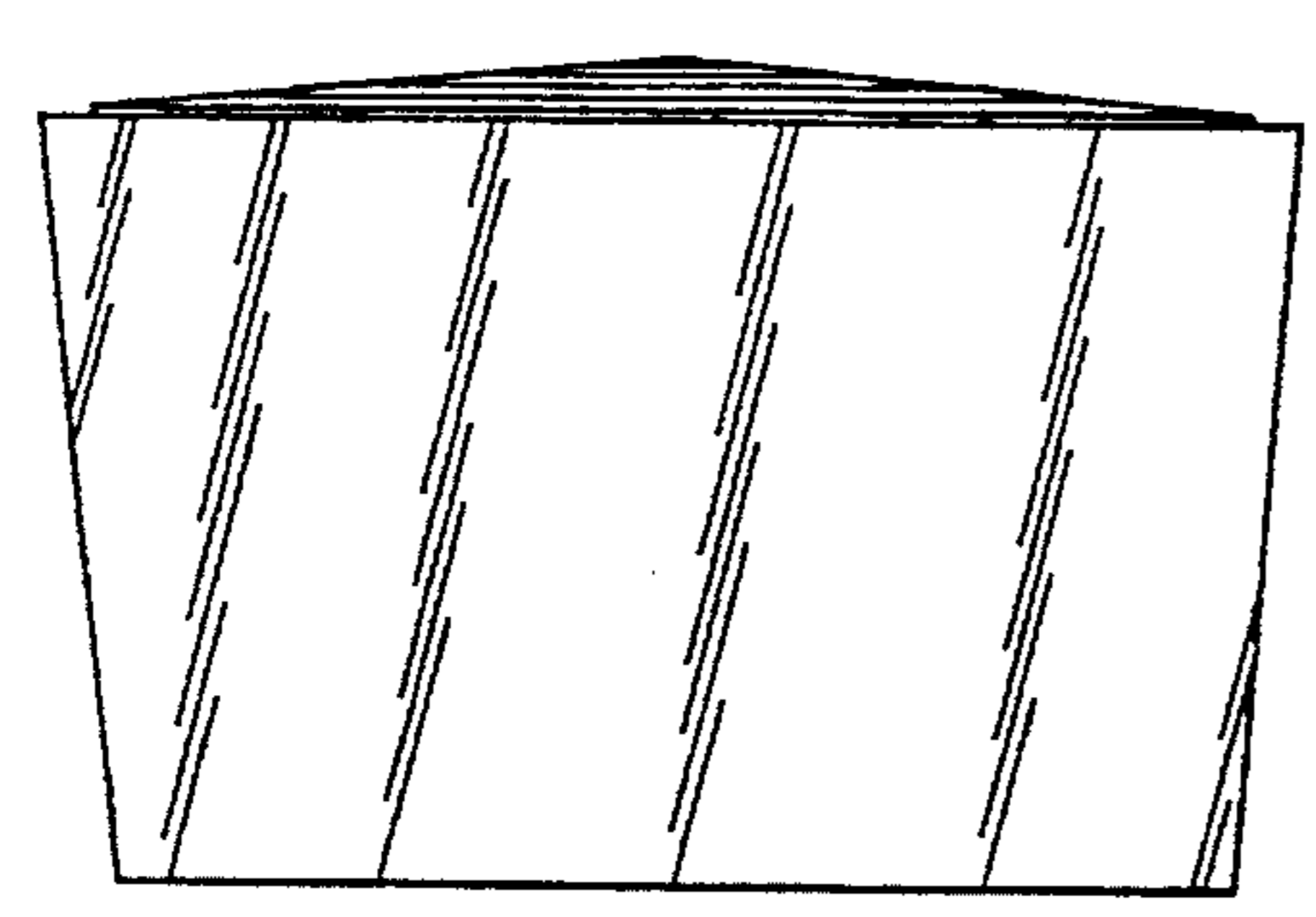


FIG. 3

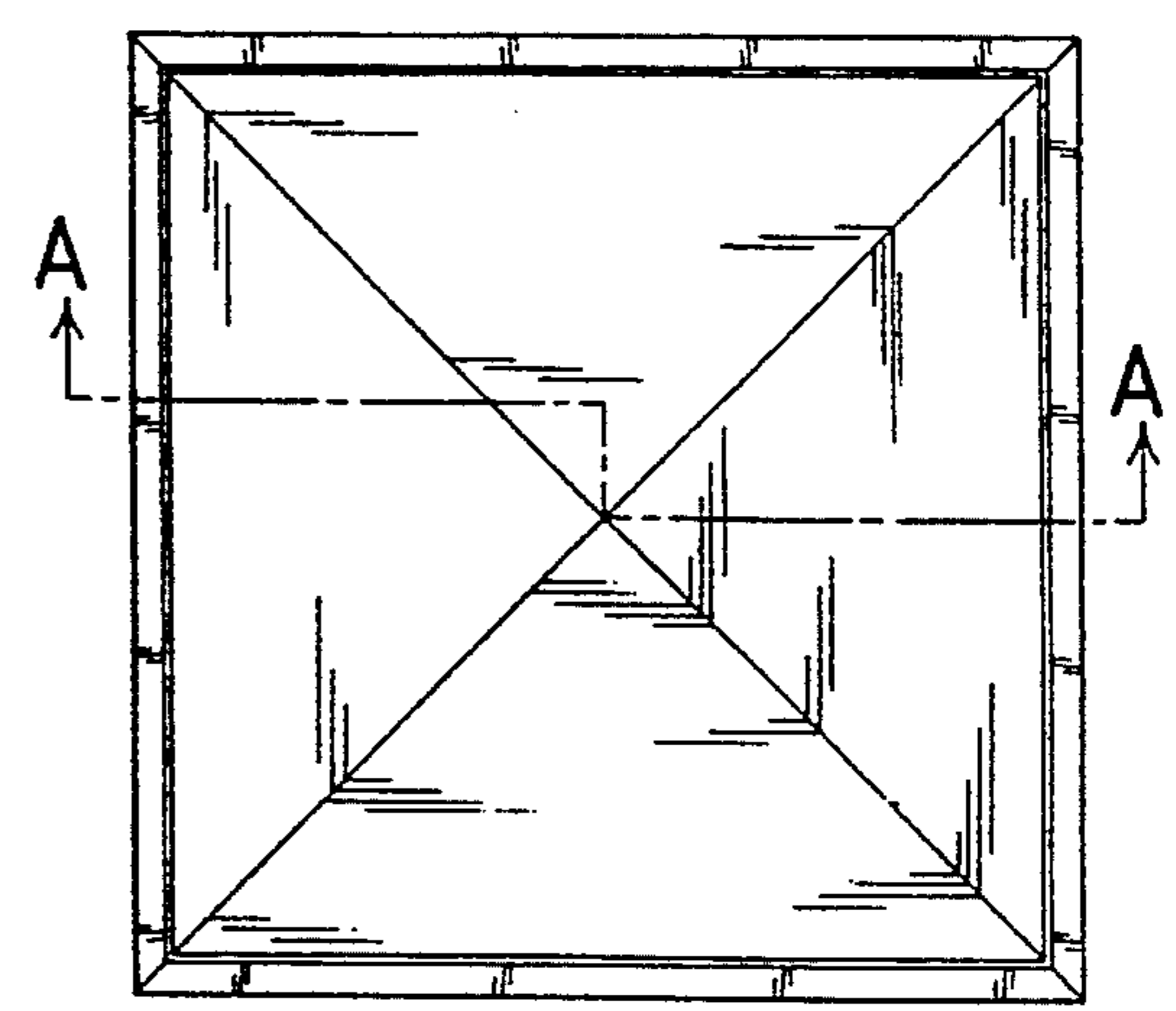


FIG. 4

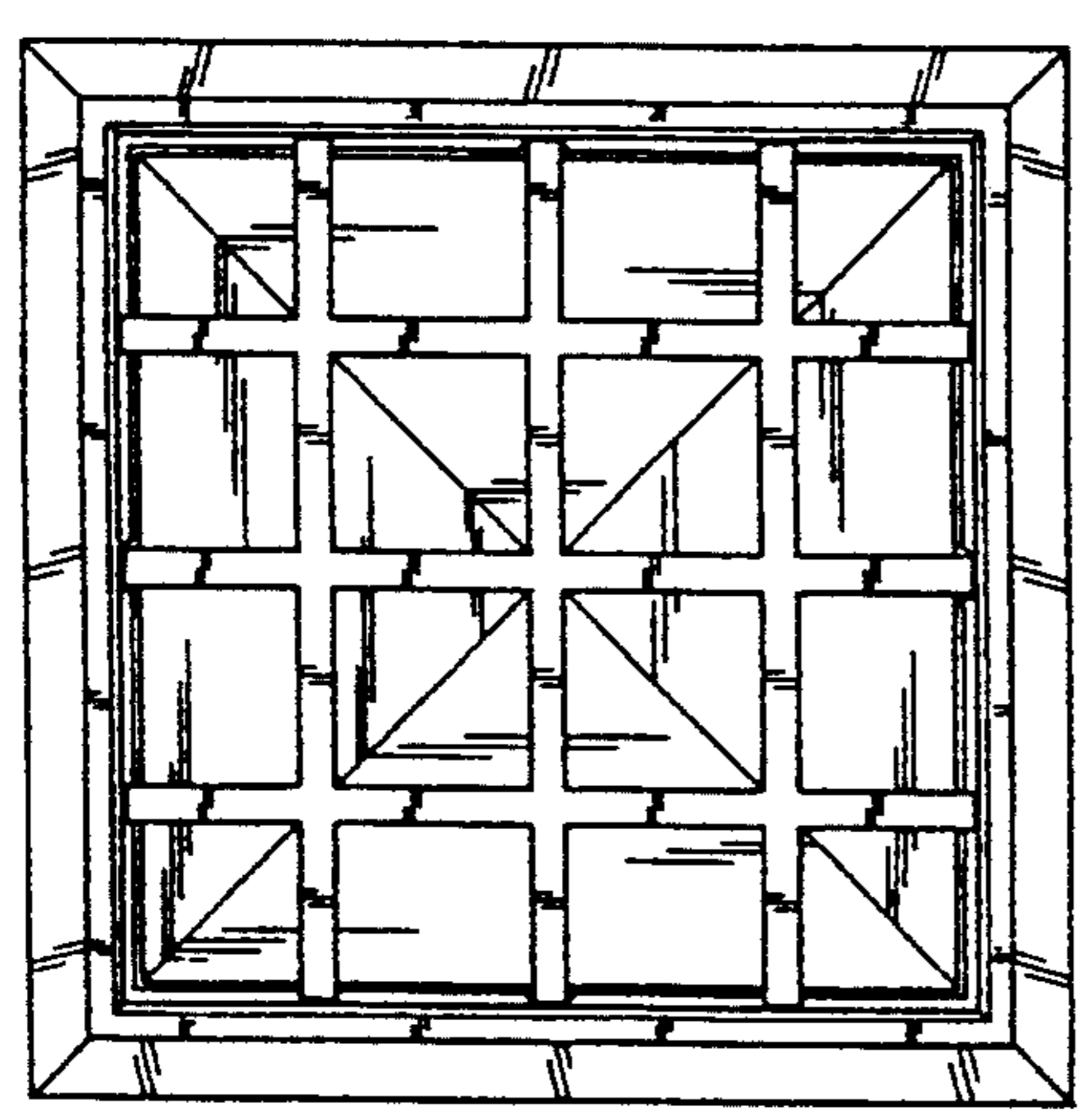


FIG. 5

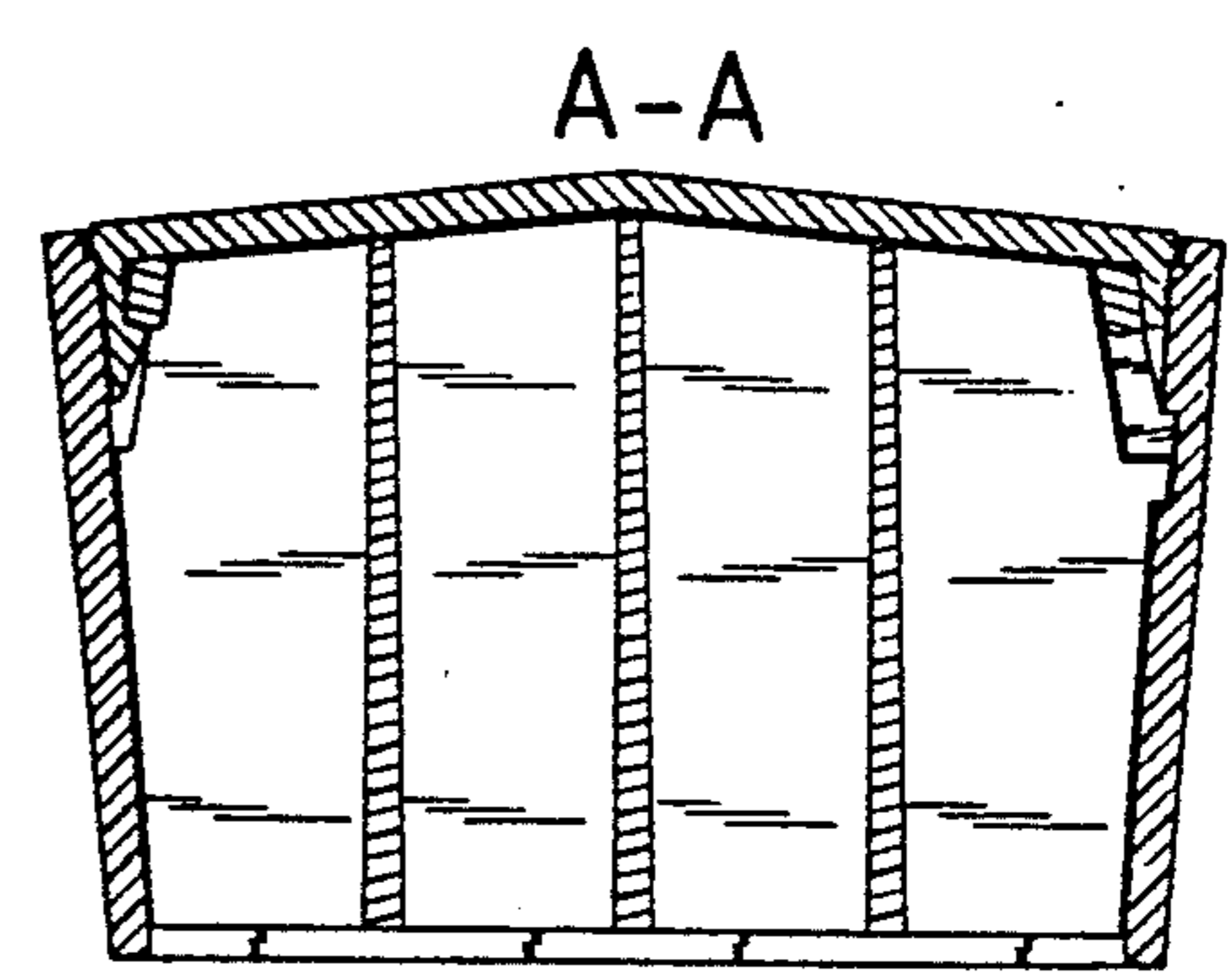


FIG. 6

UNITED STATES PATENT AND TRADEMARK OFFICE
CERTIFICATE OF CORRECTION

PATENT NO. : Des. 357,281
DATED : April 11, 1995
INVENTOR(S) : Bruno NINABER VAN EIJBEN et al.

It is certified that error appears in the above-identified patent and that said Letters Patent is hereby corrected as shown below:

On title page, item [75],

In the "Heading" under the caption "Inventors:"

"Inventors: Bruno N. van Eijben, Koornmarkt;
Wolfram Peters; Peter Krouwel, both
of Leiden, all of Netherlands"

should read:

-- Inventors: Bruno Ninaber van Eijben, Koornmarkt;
Wolfram Peters; Peter Krouwel, both
of Leiden, all of Netherlands --

Signed and Sealed this
Sixth Day of June, 1995



BRUCE LEHMAN

Commissioner of Patents and Trademarks

Attest:

Attesting Officer