



US00D357279S

United States Patent [19] Saddler

[11] Patent Number: **Des. 357,279**
[45] Date of Patent: **** Apr. 11, 1995**

[54] **INTERACTIVE QUIZ GAME**
[75] Inventor: **Damon R. Saddler, Inglewood, Calif.**
[73] Assignee: **Educational Insights, Inc., Dominguez Hills, Calif.**
[**] Term: **14 Years**
[21] Appl. No.: **5,618**
[22] Filed: **Mar. 8, 1993**
[52] U.S. Cl. **D19/60; D21/13; D14/106**
[58] Field of Search **D19/59-64; 434/322, 323, 324, 327, 167, 159, 317, 343, 339; D21/13, 57, 48; D14/100**

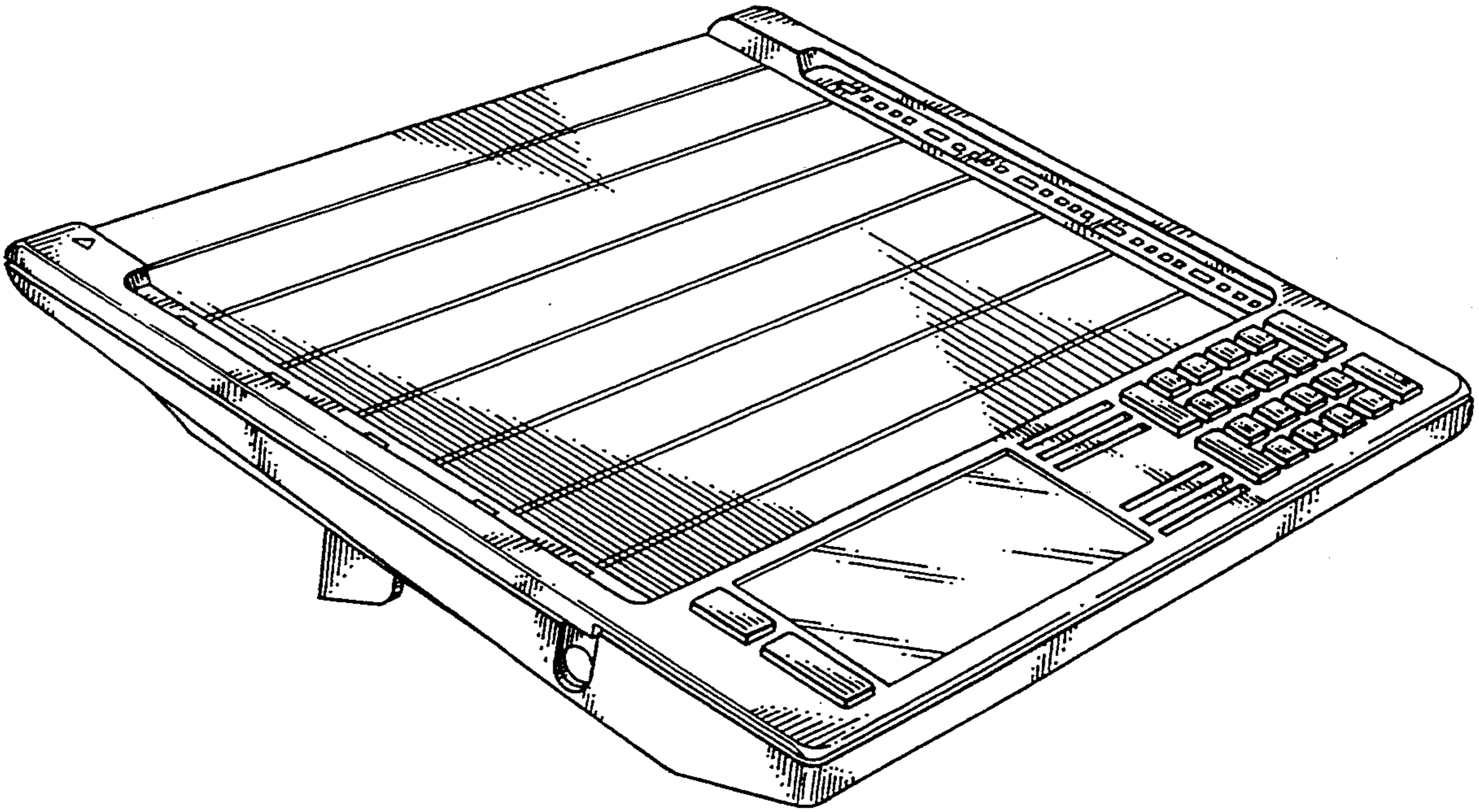
D. 266,675 10/1982 Hanzawa D21/13
D. 313,252 12/1990 Lomberk D21/57
D. 336,053 6/1993 Hayes et al. D14/100 X
4,403,965 9/1983 Hawkins D19/60 X

Primary Examiner—James M. Gandy
Assistant Examiner—Pamela Burgess
Attorney, Agent, or Firm—Blakely, Sokoloff, Taylor & Zafman

[56] **References Cited**
U.S. PATENT DOCUMENTS
D. 257,159 9/1980 Hubbard et al. D21/57
D. 265,101 6/1982 Tsuyuki D21/13

[57] **CLAIM**
The ornamental design for an interactive quiz game, as shown and described.

DESCRIPTION
FIG. 1 is a top plan view of the game;
FIG. 2 is a front view of the game;
FIG. 3 is a bottom plan view of the game;
FIG. 4 is a rear view of the game;
FIG. 5 is a left side view of the game;
FIG. 6 is a right side view of the game; and,
FIG. 7 is an elevated perspective view of the game.



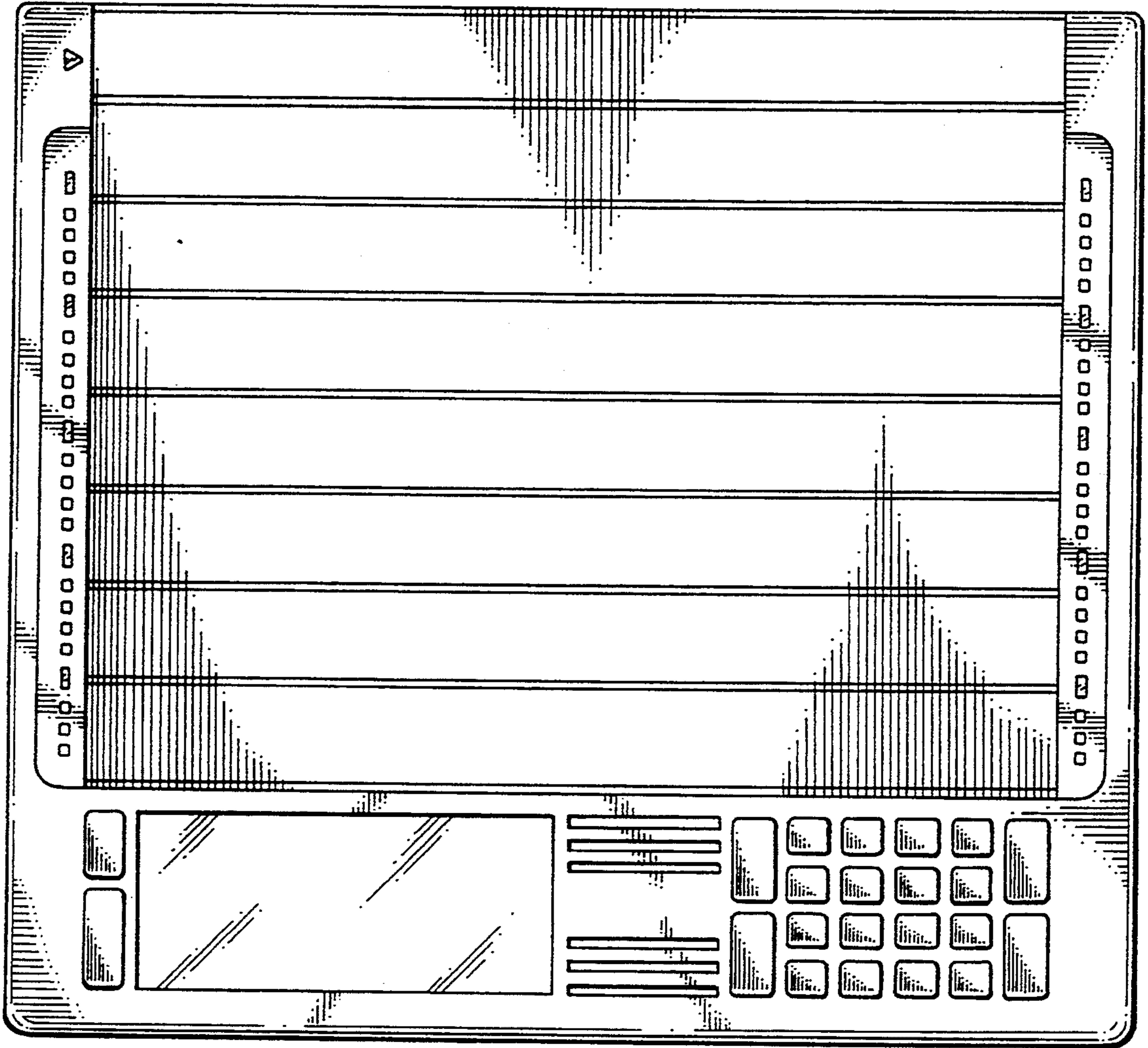


FIG. 1

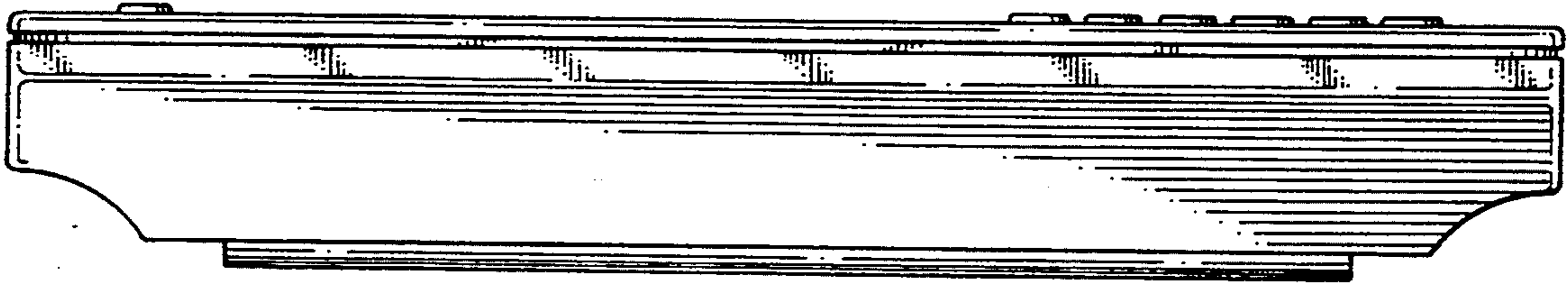


FIG. 2

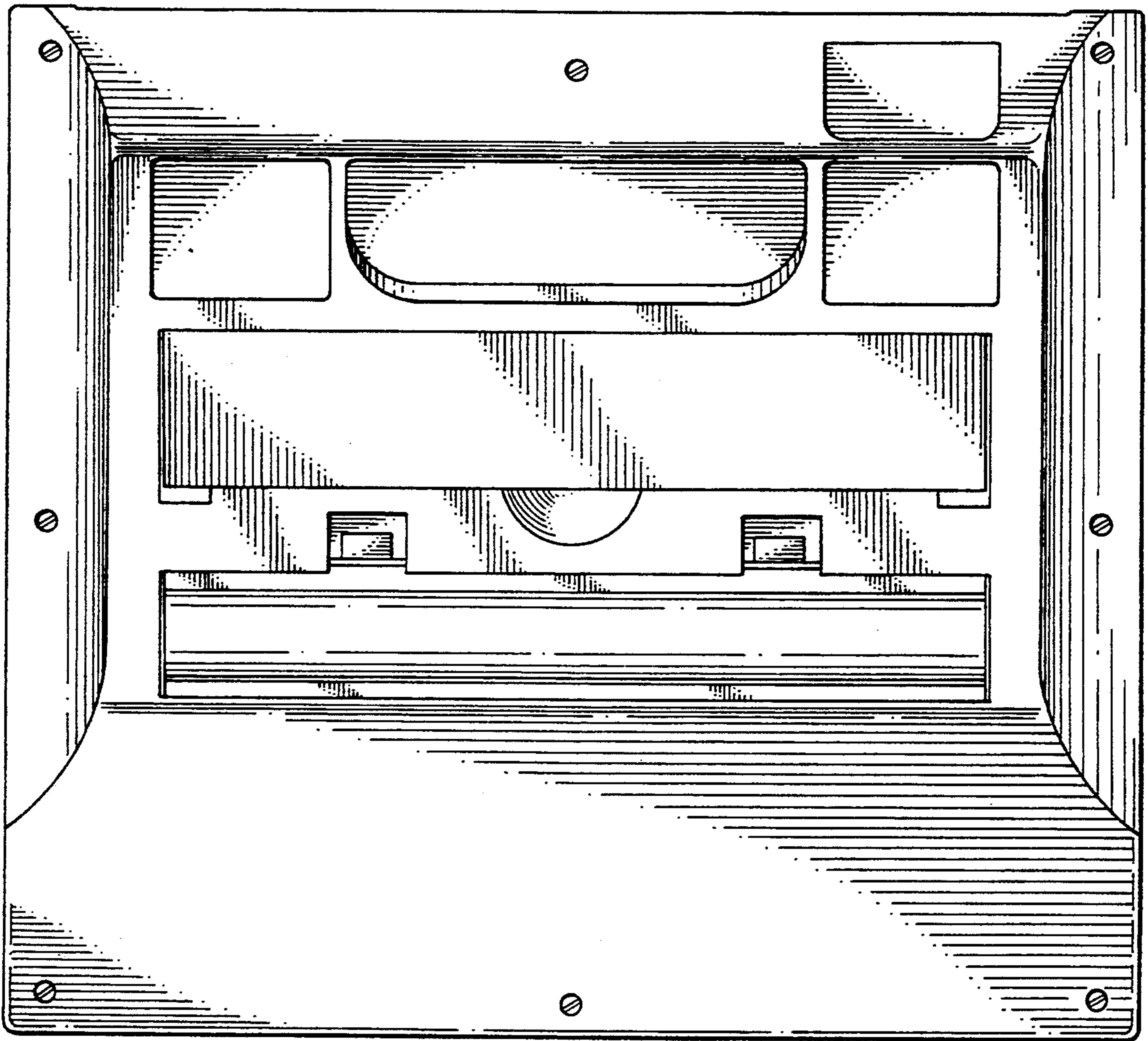


FIG. 3

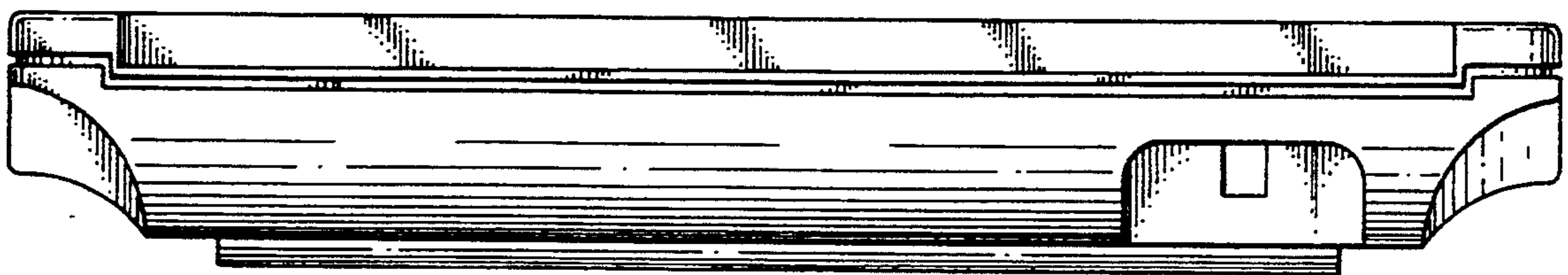


FIG. 4

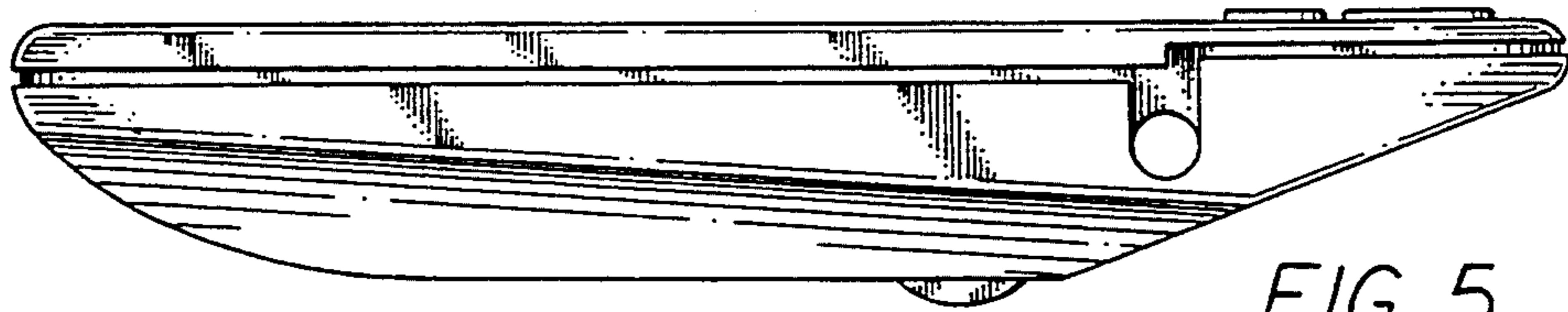


FIG. 5

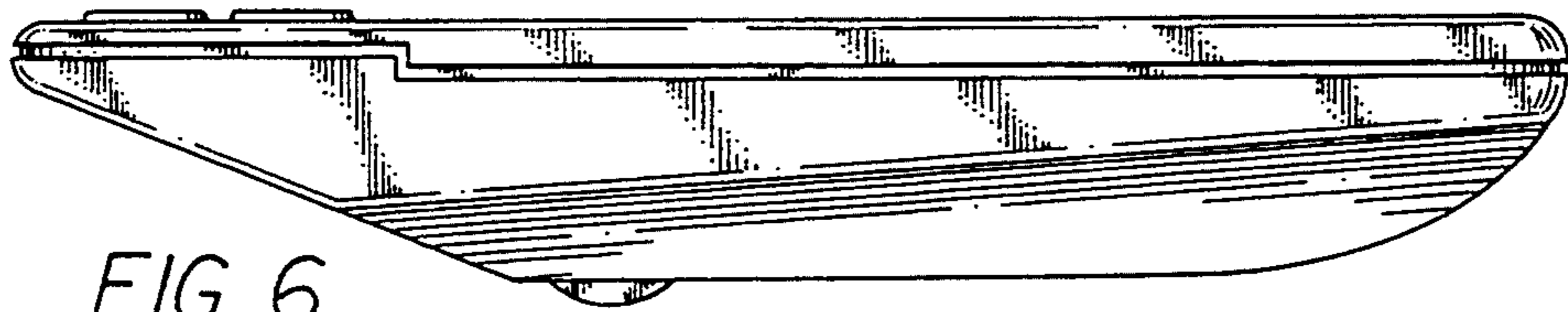


FIG. 6

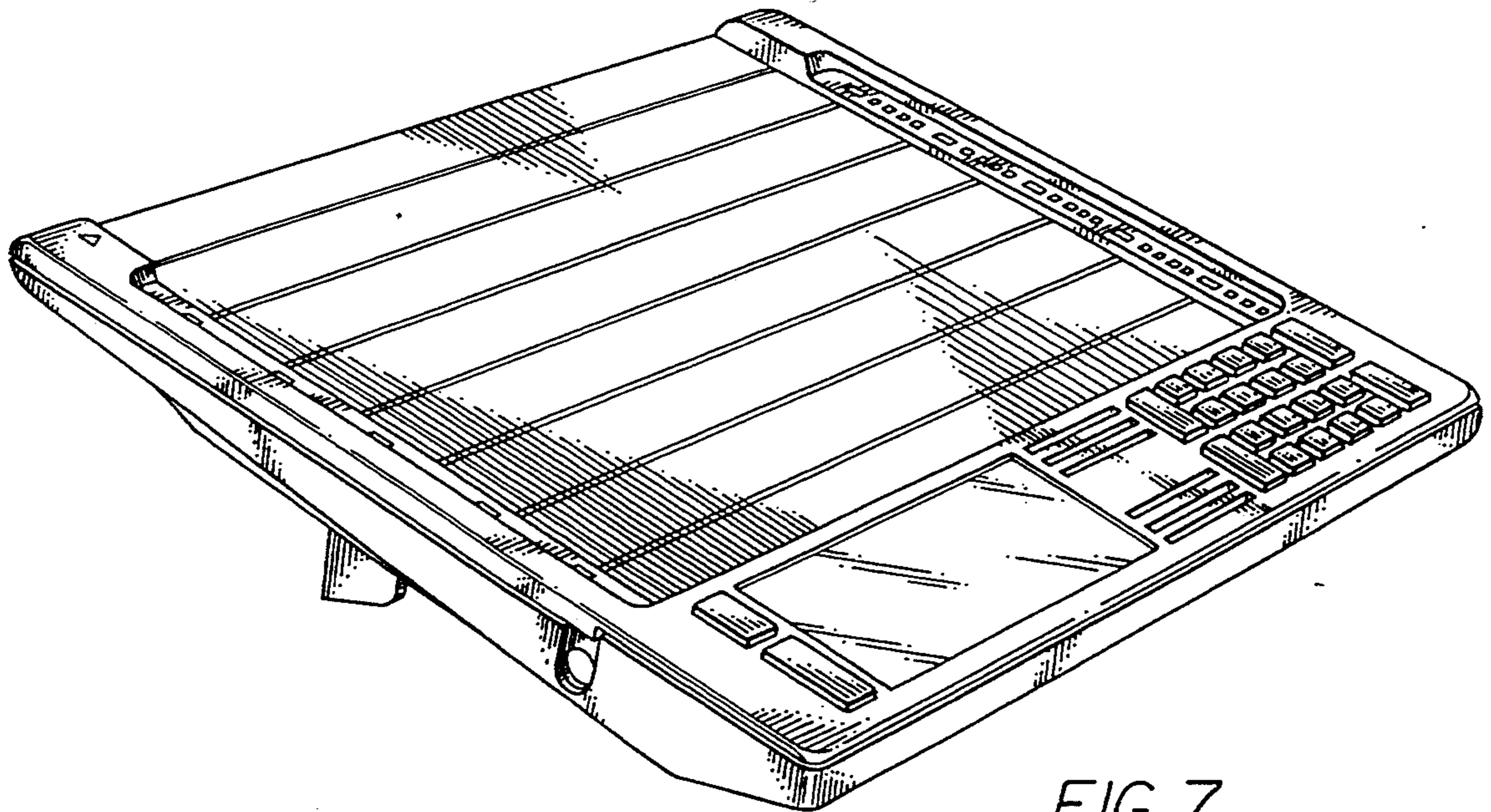


FIG. 7