



US00D357278S

United States Patent [19]
Turney

[11] **Patent Number: Des. 357,278**
[45] **Date of Patent: ** Apr. 11, 1995**

[54] **CARPENTER PENCIL CLIP**
[76] **Inventor: Chris Turney, 6014 SW. Old Hwy.
47, Gaston, Oreg. 97119**
[**] **Term: 14 Years**
[21] **Appl. No.: 4,755**
[22] **Filed: Feb. 12, 1993**
[52] **U.S. Cl. D19/56; D19/49**
[58] **Field of Search D19/35, 36, 41-48,
D19/49, 50, 51, 54-58, 81-85, 99, 100; 401/6, 7,
102, 202, 243-247; 24/3 L, 10 R, 11 R, 11 FE,
11 PP, 11 CC, 11 CT, 11 HC, 11 F, 11 M**

874,215 12/1907 Lewis 24/11 CT
1,474,885 11/1923 Boice 24/11 CC
1,634,772 7/1927 Chrisman 24/11 M
3,470,622 10/1969 Dyke .
3,534,445 10/1970 Bleuer .
3,670,370 6/1972 Goodwin .
3,980,114 9/1976 Maniscalki .
4,964,225 10/1990 Waldherr .

*Primary Examiner—Martie Thompson
Attorney, Agent, or Firm—William S. Lovell*

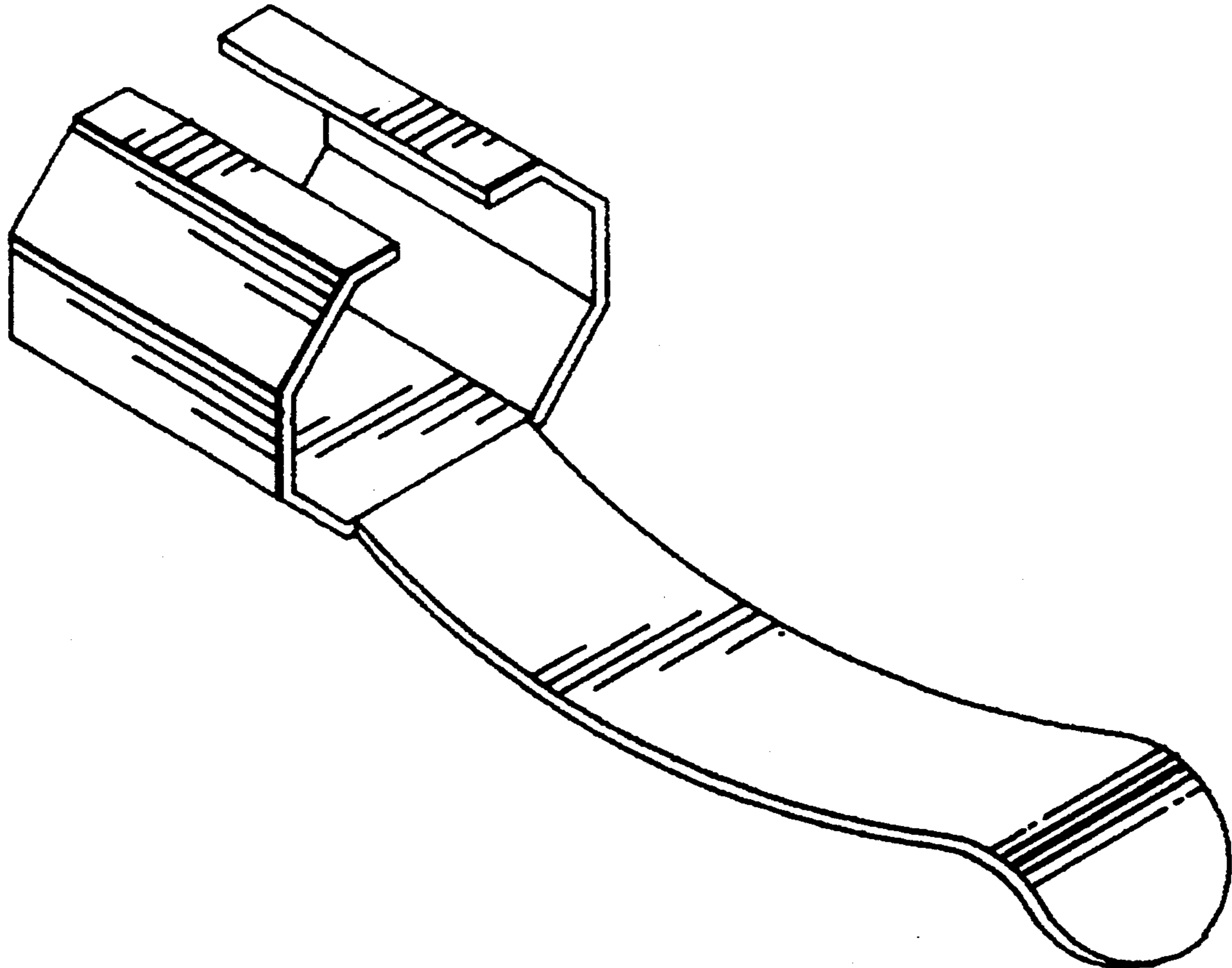
[57] **CLAIM**

An ornamental design for a carpenter pencil clip, as shown.

DESCRIPTION

FIG. 1 is a rear perspective view of a carpenter pencil clip showing my new design;
FIG. 2 is a rear elevational view;
FIG. 3 is a right side elevational view;
FIG. 4 is a front elevational view;
FIG. 5 is a top plan view; and,
FIG. 6 is a bottom plan view thereof.

[56] **References Cited**
U.S. PATENT DOCUMENTS
D. 24,768 10/1895 Wood D19/56
D. 121,336 7/1940 Kahn D19/56
D. 256,963 9/1980 Harrington .
D. 261,775 11/1981 Valigura D19/56
D. 304,667 11/1989 Hutton D19/56



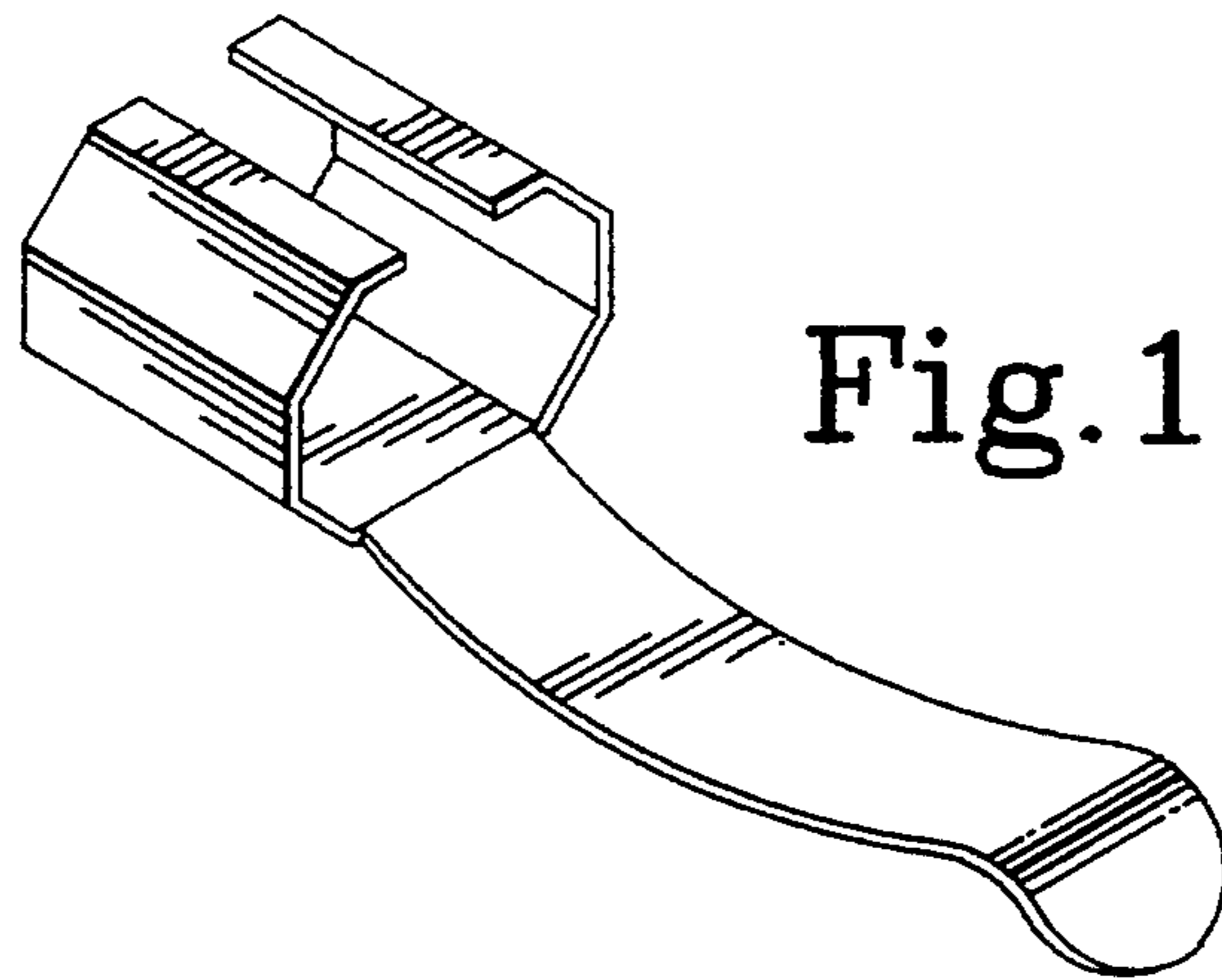


Fig. 1

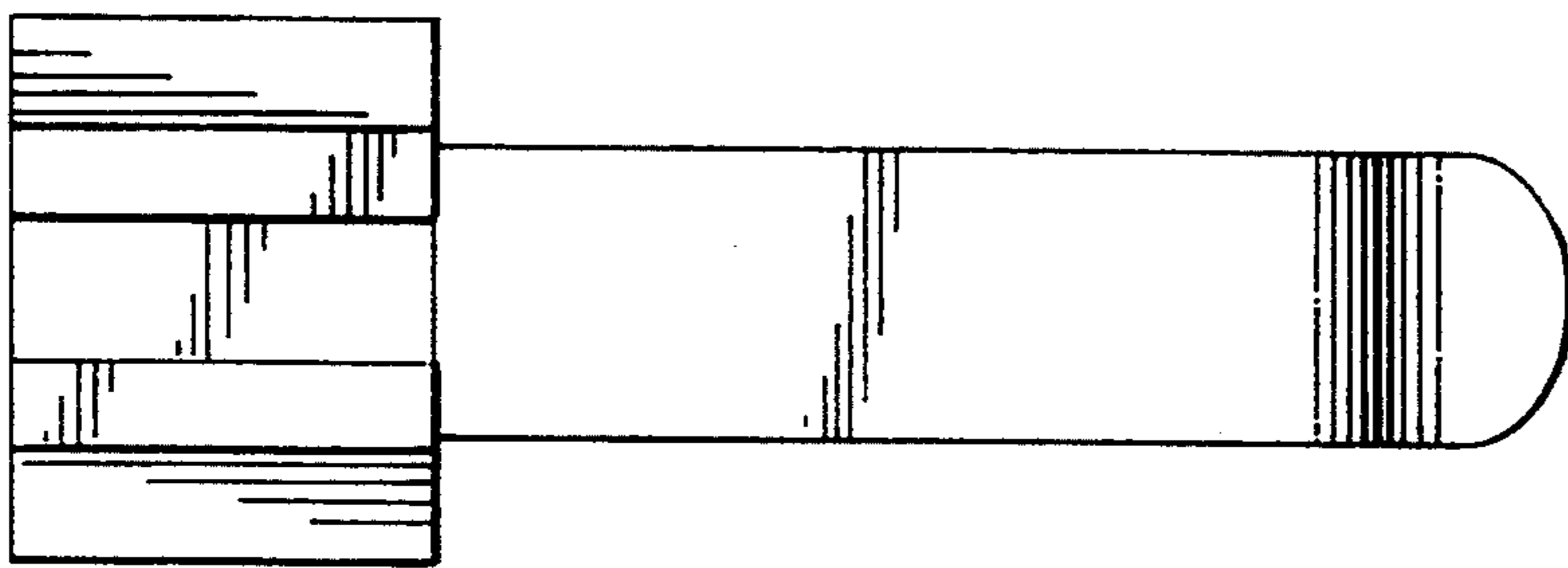


Fig. 2

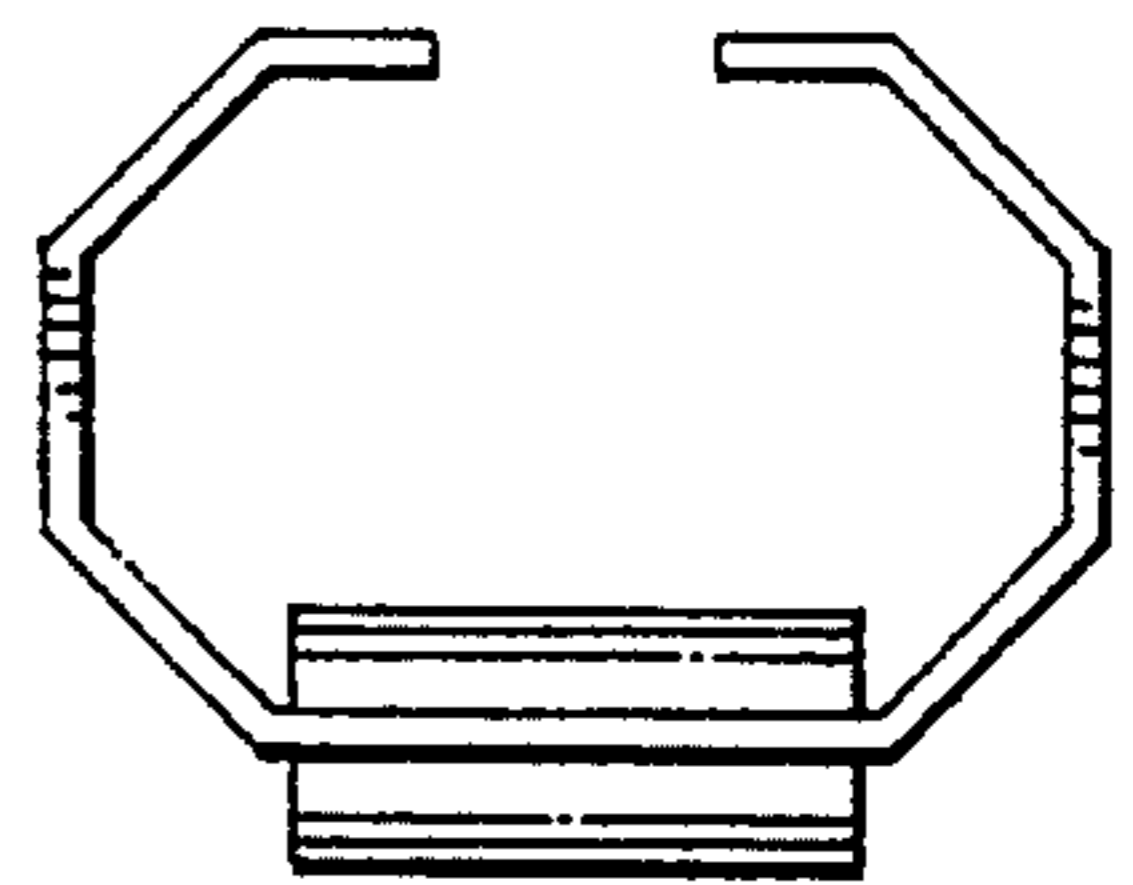


Fig. 5



Fig. 3

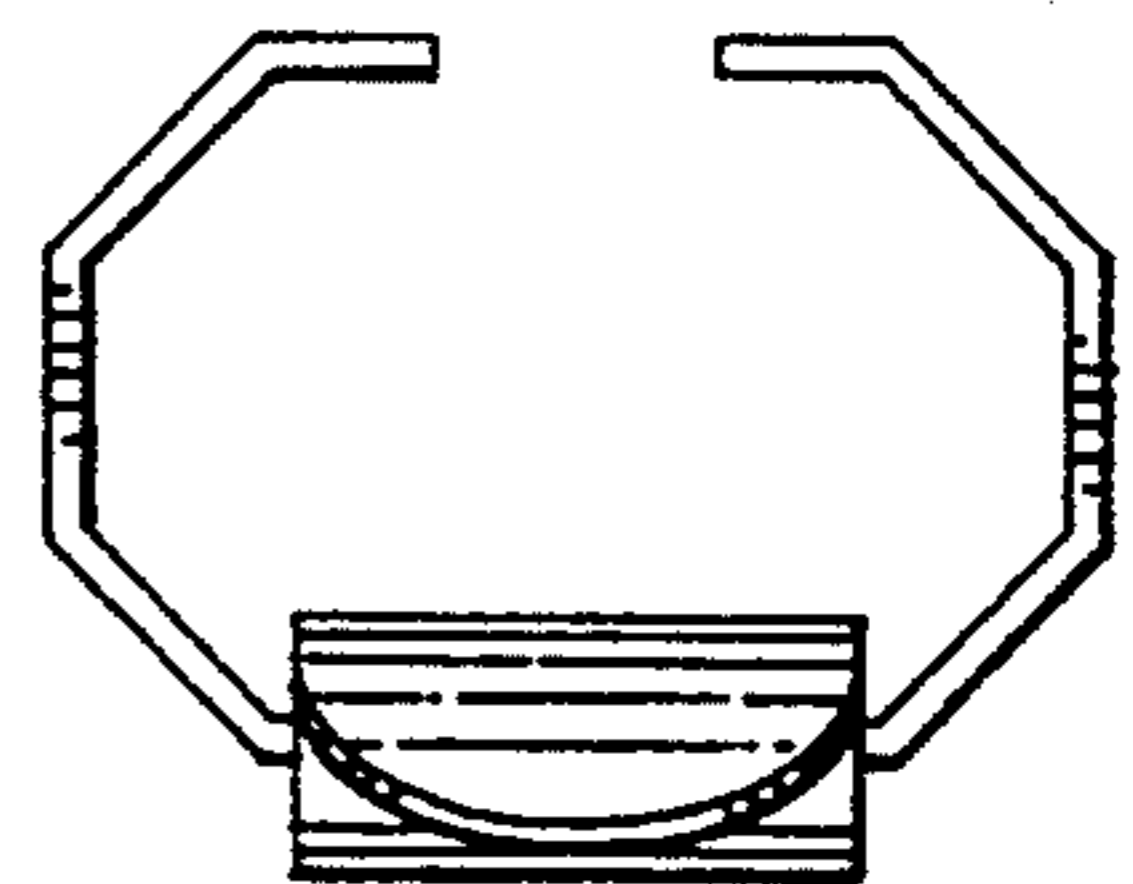


Fig. 6

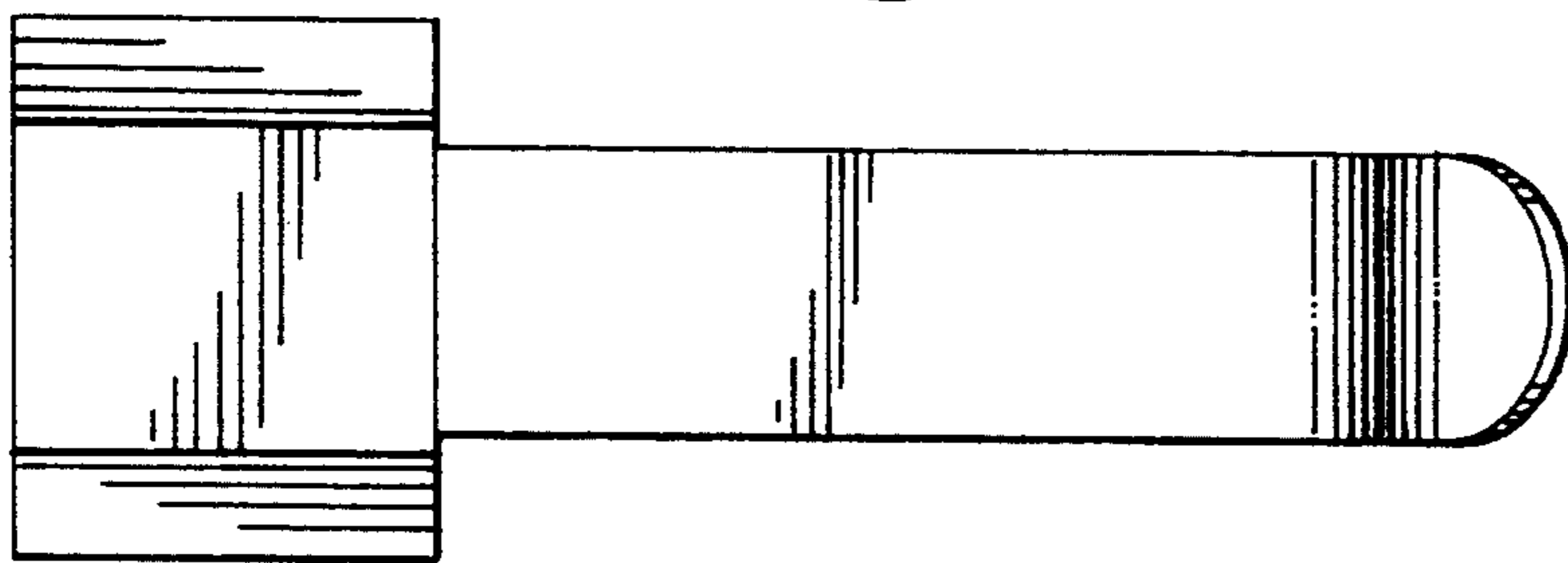


Fig. 4