



US00D357273S

# United States Patent [19]

[11] Patent Number: Des. 357,273

Hocking

[45] Date of Patent: \*\* Apr. 11, 1995

[54] **AUXILIARY OUTPUT PAPER HANDLER FOR A LASER PRINTER**

[75] Inventor: **Harold P. Hocking**, Manhattan Beach, Calif.

[73] Assignee: **Advanced Hi-Tek Corporation**, El-Segundo, Calif.

[\*\*] Term: **14 Years**

[21] Appl. No.: **16,478**

[22] Filed: **Dec. 15, 1993**

[52] U.S. Cl. .... **D18/49; D18/56**

[58] Field of Search ..... **D18/46, 49, 36-39, D18/54-56; 226/74; 271/2.1, 3, 8.1, 9, 10; 355/308, 309; 400/624-629, 636, 642, 636.2, 646, 647, 647.1, 689-694**

[56] **References Cited**

**U.S. PATENT DOCUMENTS**

4,674,735 6/1987 DuBois et al. .... **D18/49 X**

**FOREIGN PATENT DOCUMENTS**

0135863 10/1980 Japan ..... **271/10**

*Primary Examiner*—Alan P. Douglas

*Assistant Examiner*—Caron D. Veynar

*Attorney, Agent, or Firm*—D'Alessandro, Frazzini & Ritchie

[57] **CLAIM**

The ornamental design for an auxiliary output paper handler for a laser printer, as shown and described.

**DESCRIPTION**

FIG. 1 is a front, top and right side perspective view of the auxiliary output paper handler for a laser printer showing my new design, the broken line showing of a laser printer is environmental only and forms no part of the claimed design;

FIG. 2 is a front, top and left side perspective view of the auxiliary output paper handler for a laser printer with the output tray in an alternate position;

FIG. 3 is a right side elevational view of the auxiliary output paper handler for a laser printer;

FIG. 4 is a left side elevational view of the auxiliary output paper handler for a laser printer;

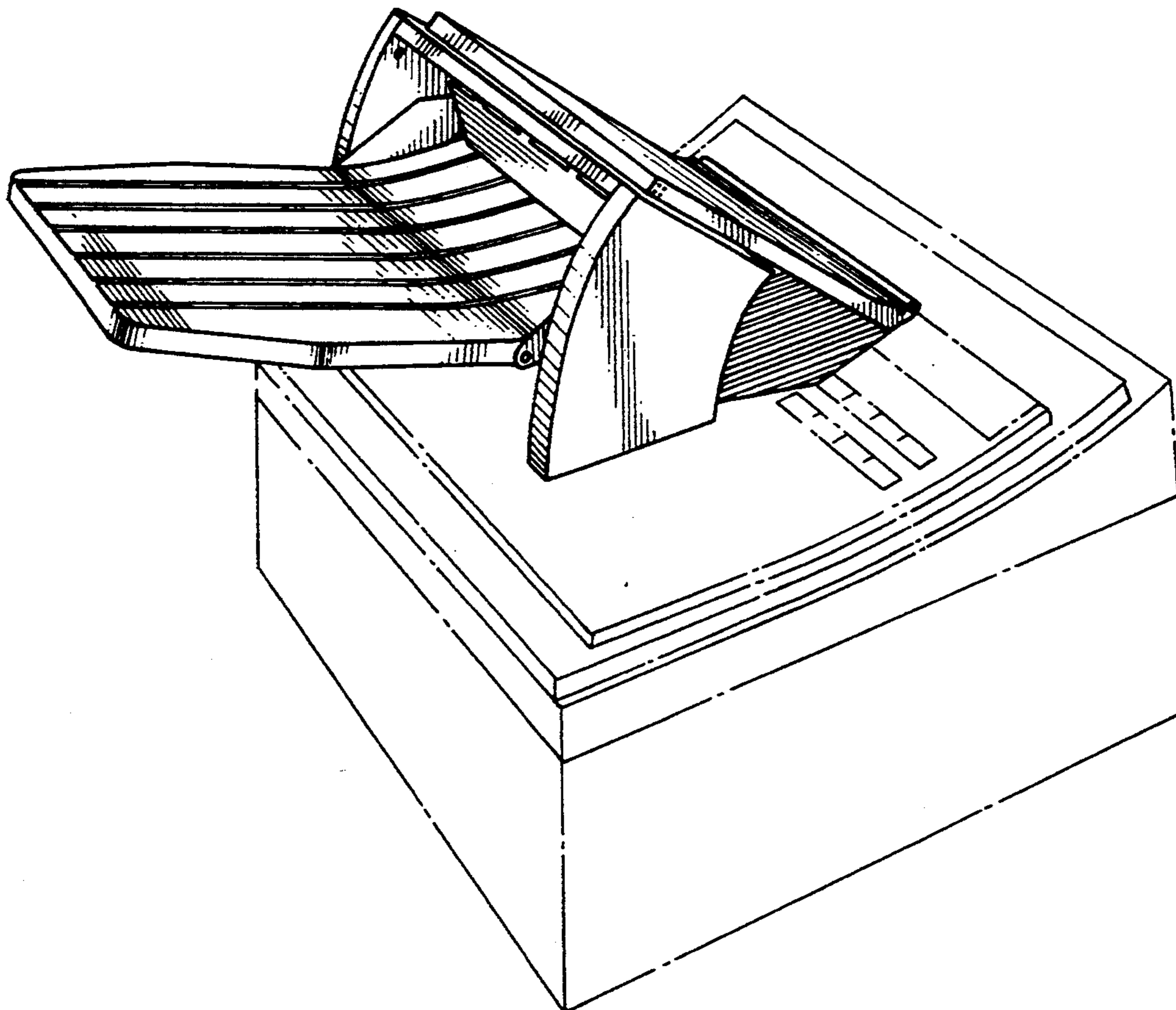
FIG. 5 is a left side elevational view of the auxiliary output paper handler for a laser printer with the output tray shown in an alternate position;

FIG. 6 is a top plan view of the auxiliary output paper handler for a laser printer;

FIG. 7 is a bottom plan view of the auxiliary output paper handler for a laser printer;

FIG. 8 is a front elevational view of the auxiliary output paper handler for a laser printer; and,

FIG. 9 is a rear elevational view of the auxiliary output paper handler for a laser printer.



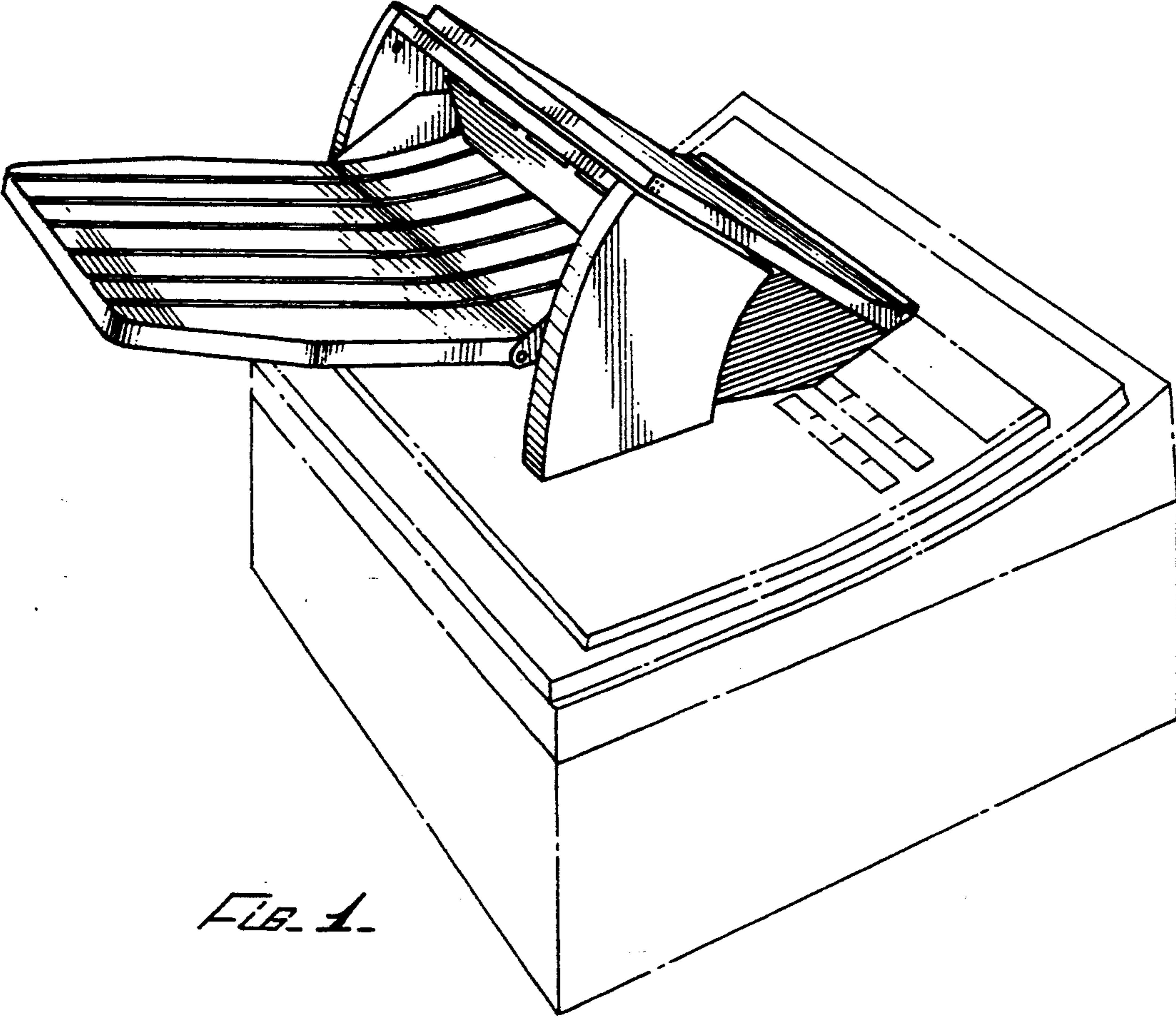


FIG. 1.

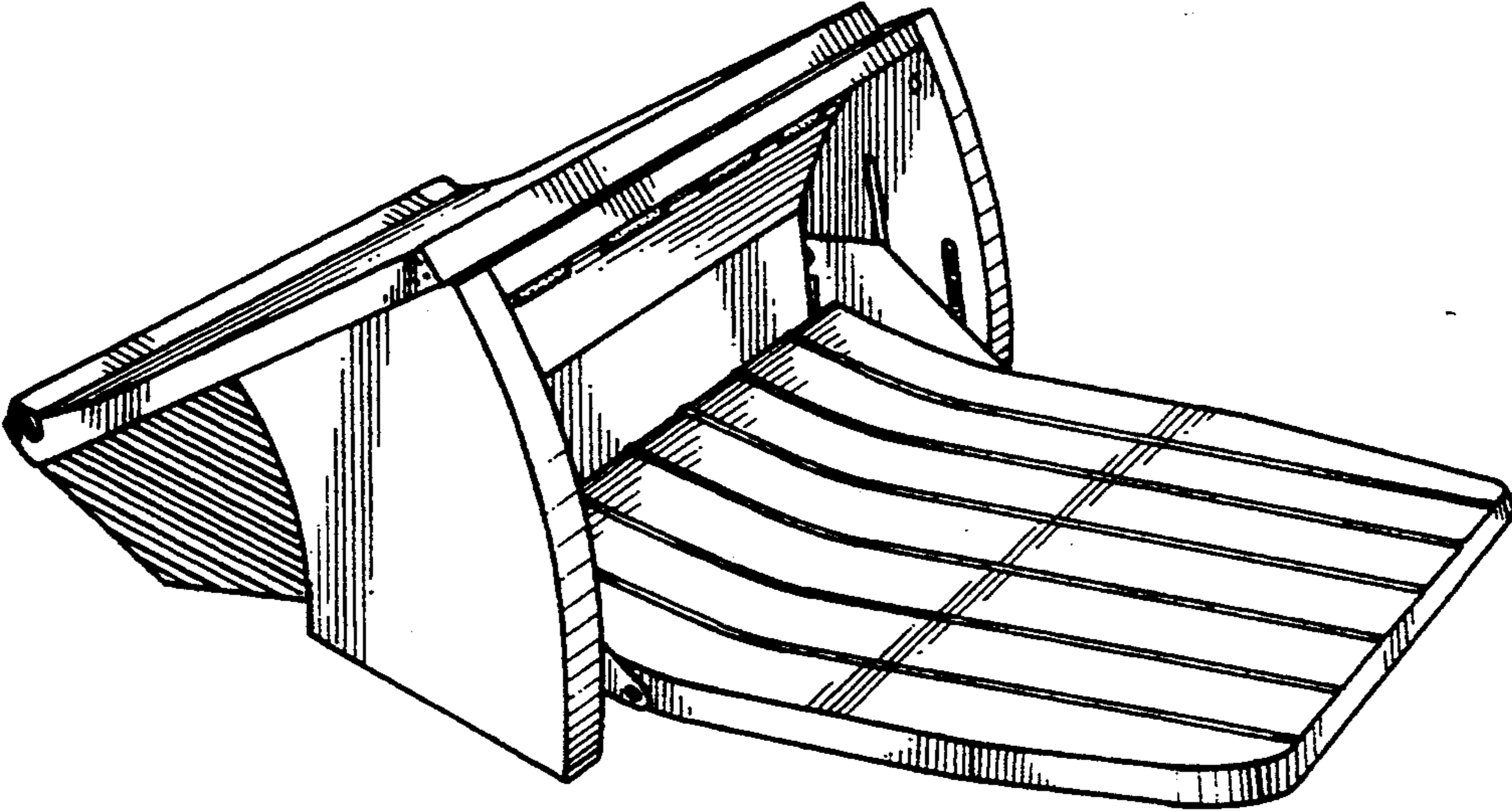


FIG. 2.



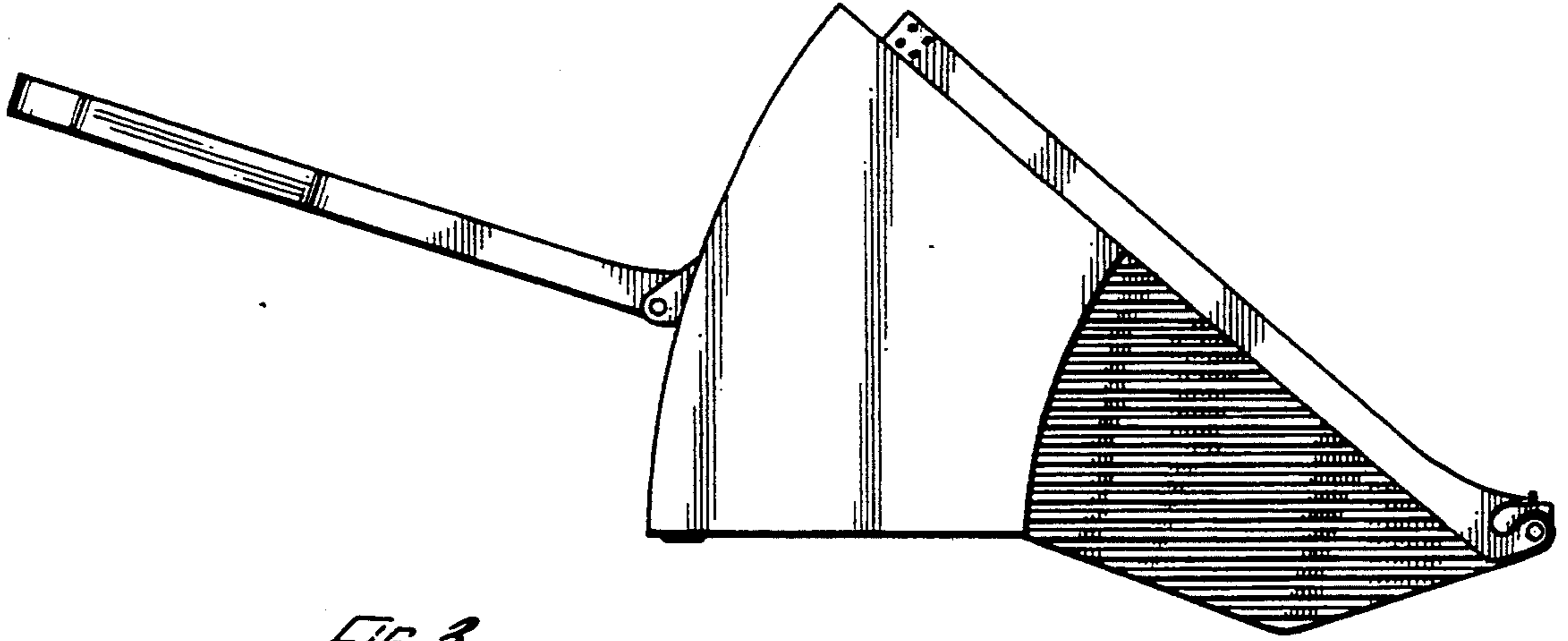


FIG. 3

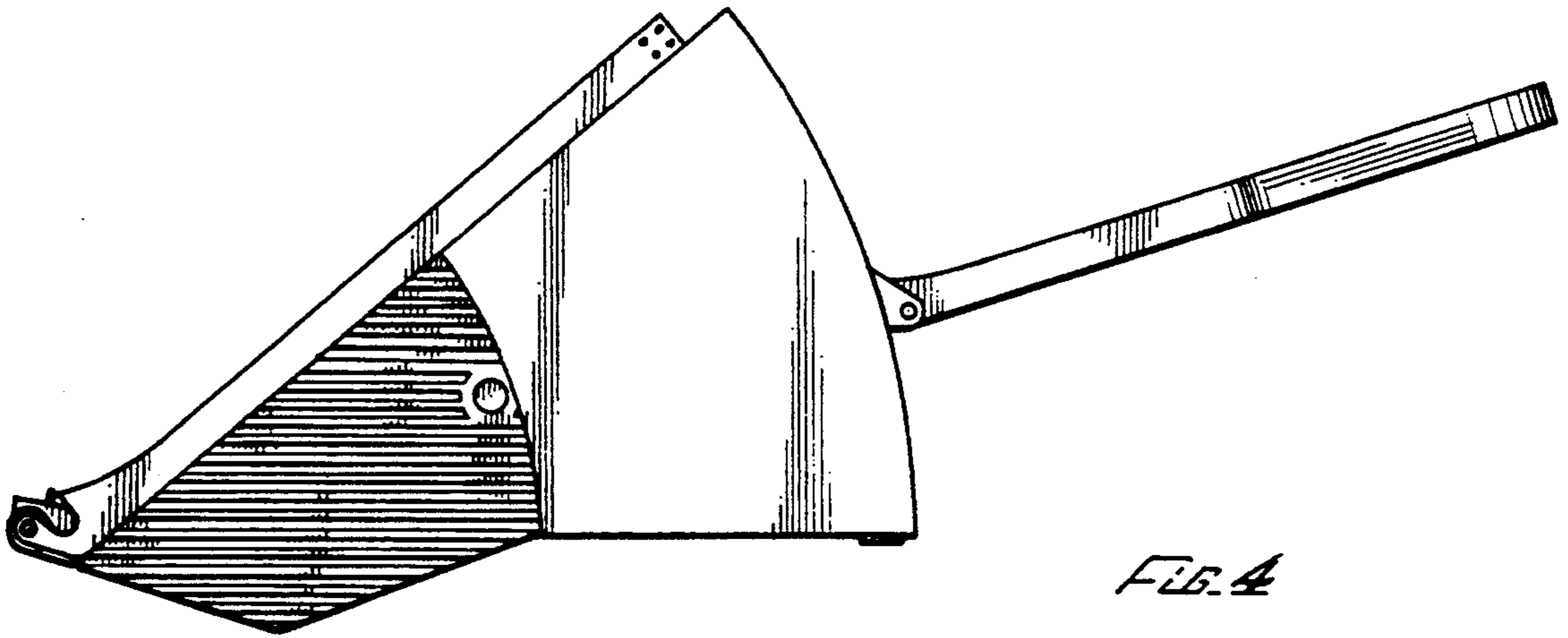


FIG. 4

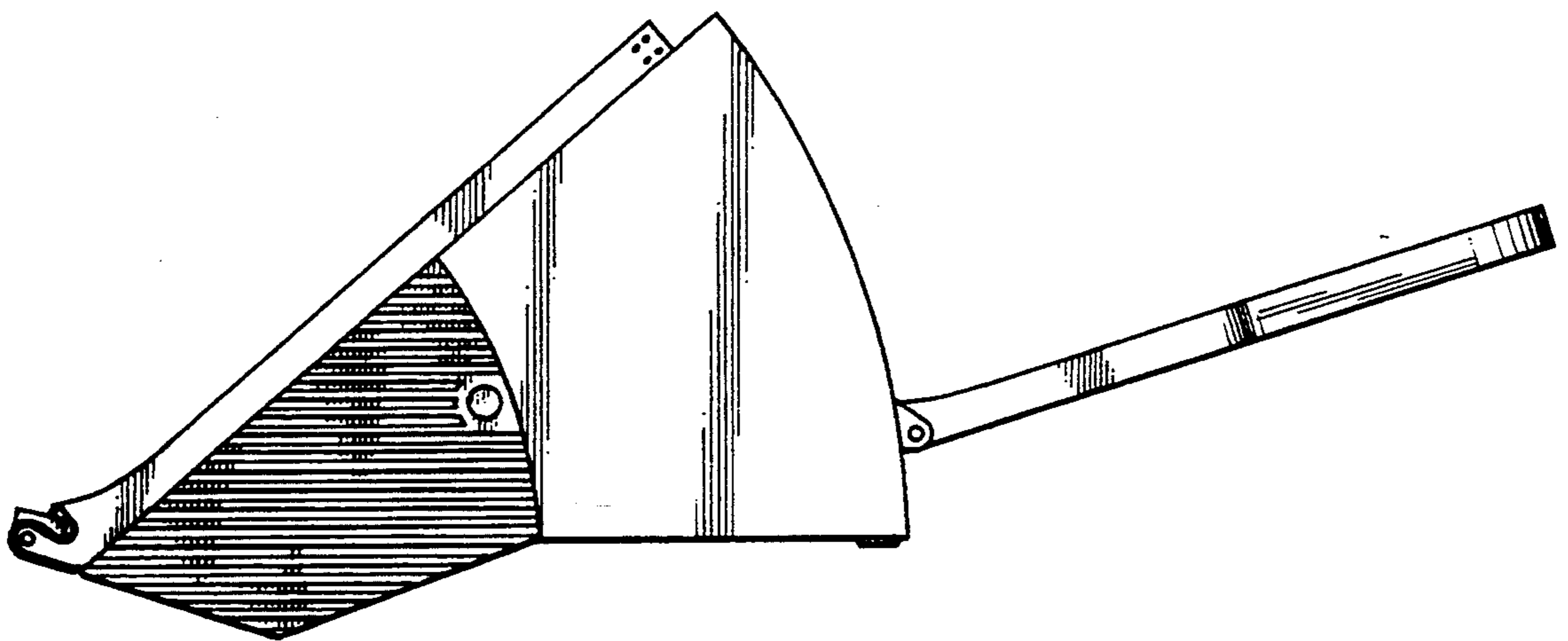


FIG. 5

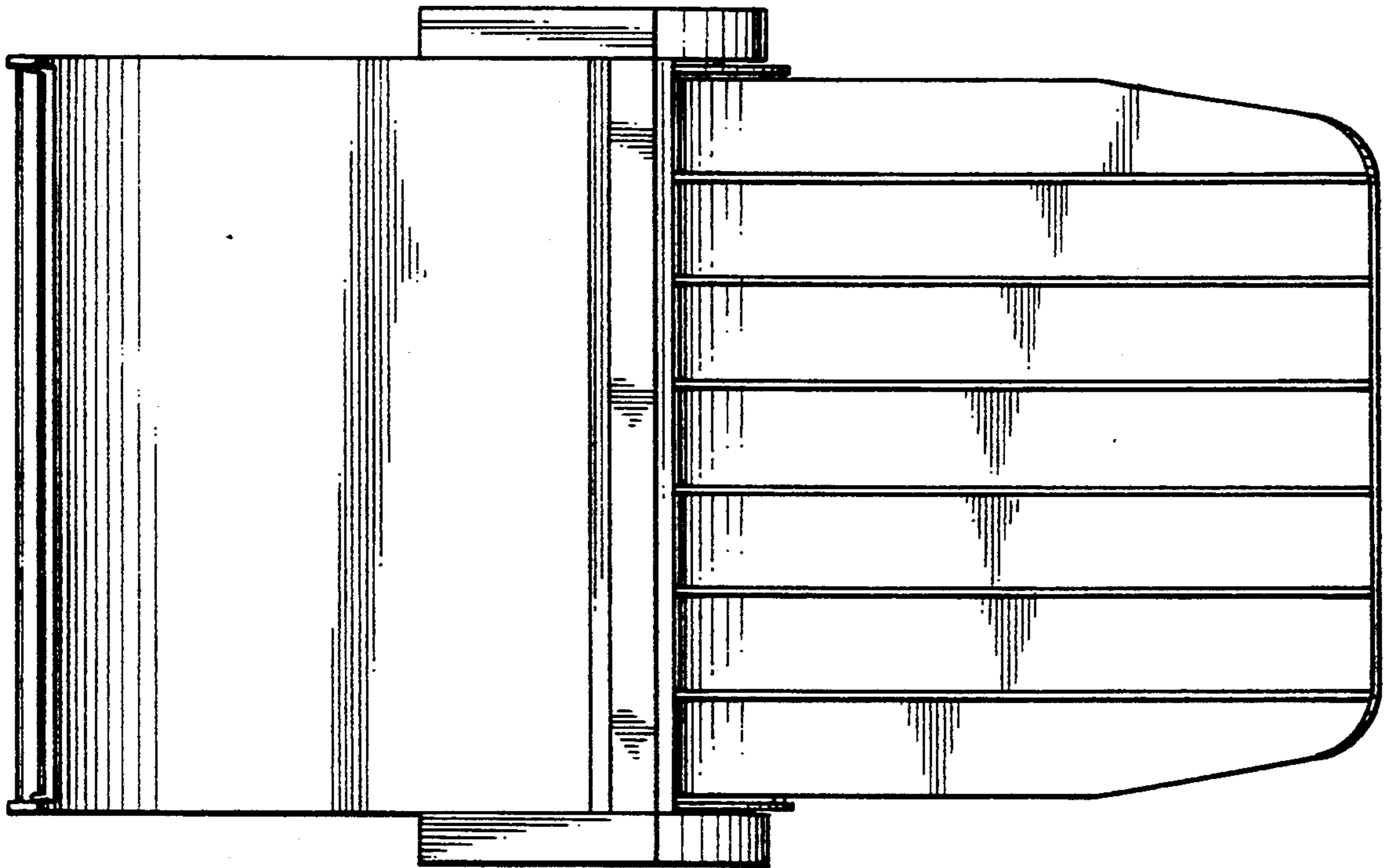


FIG. 6

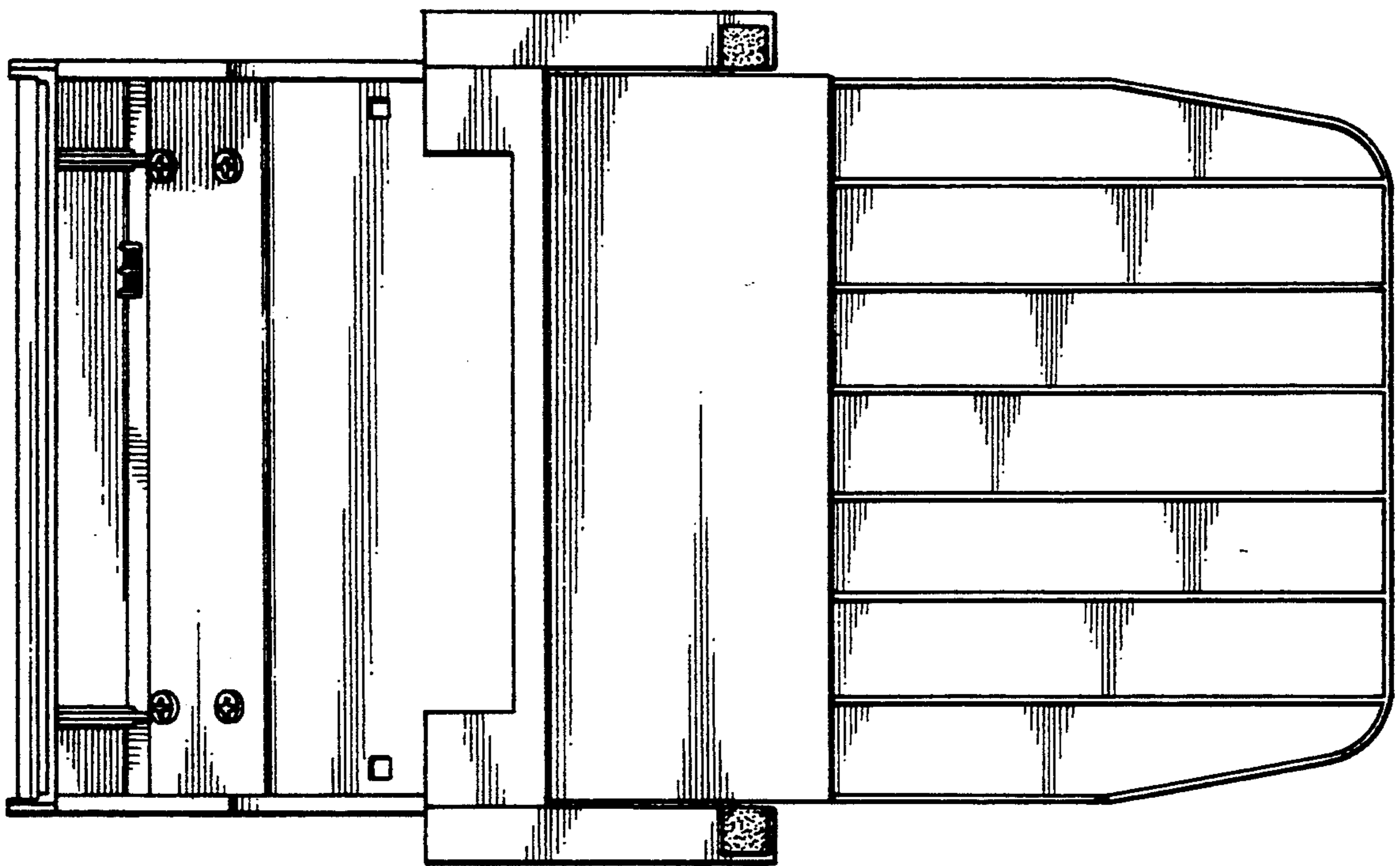
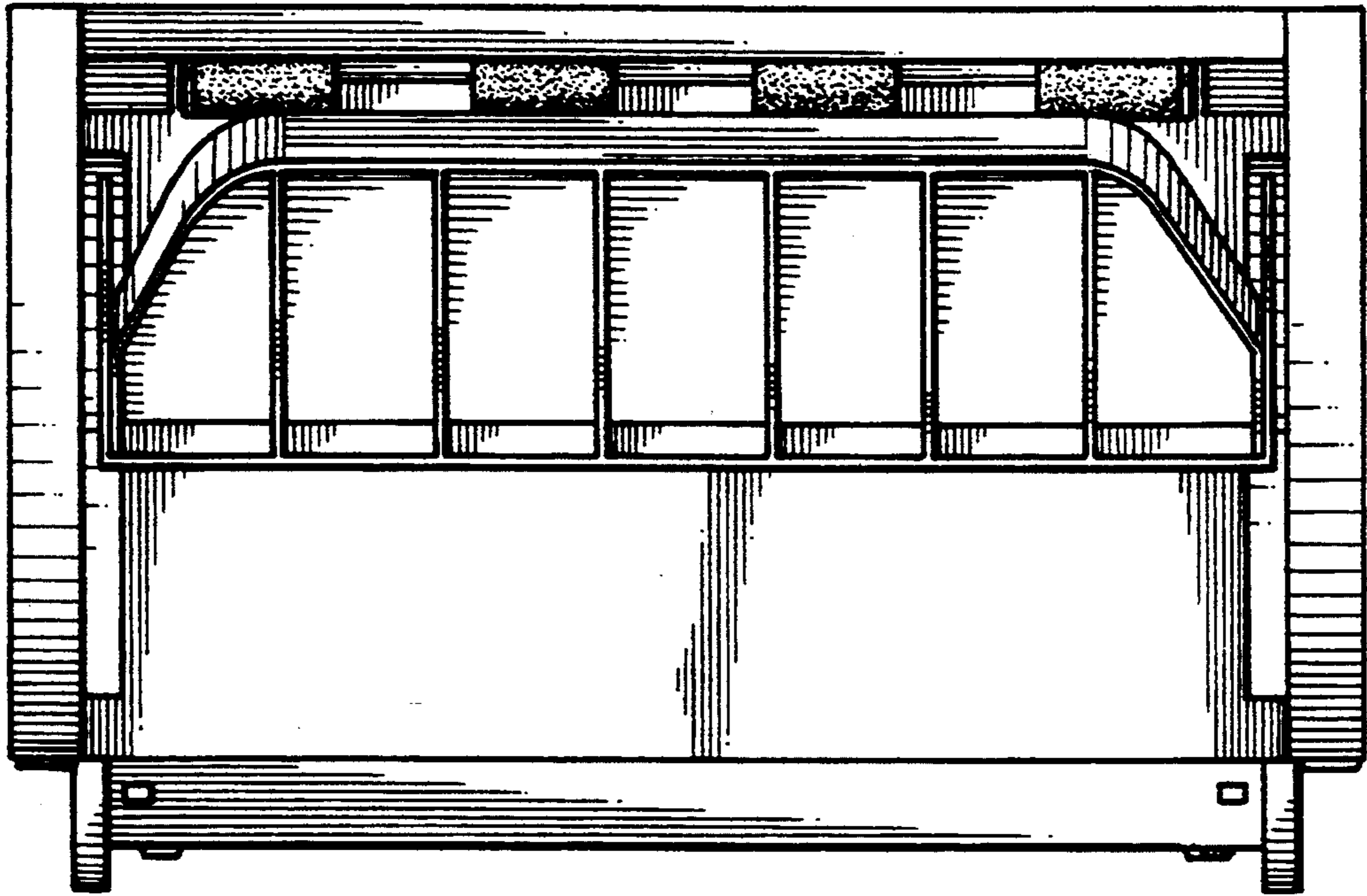
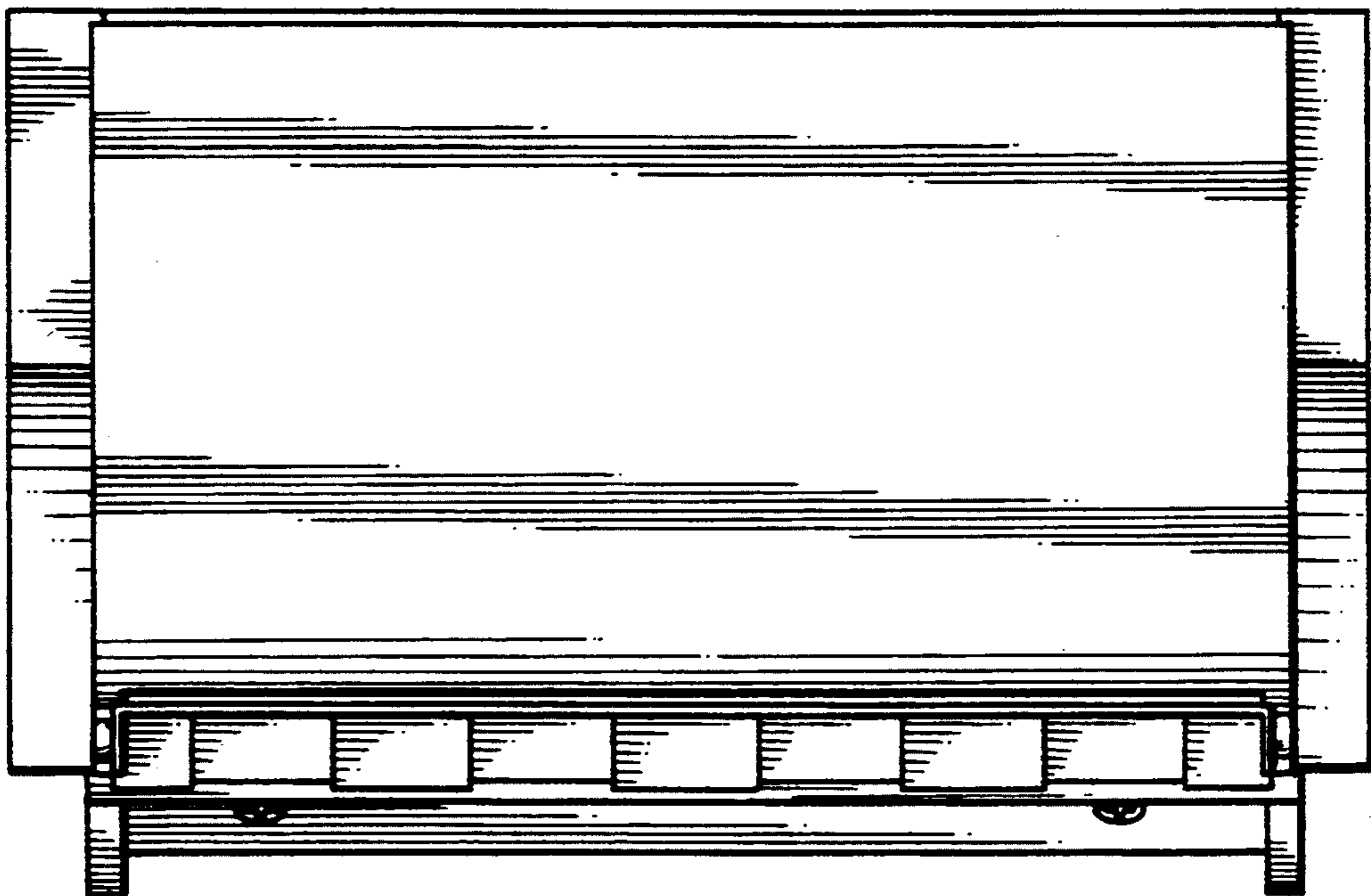


FIG. 1



*FIG. 8.*



*FIG. 9.*