



US00D357272S

# United States Patent [19]

[11] Patent Number: **Des. 357,272**

Tokuda et al.

[45] Date of Patent: **\*\* Apr. 11, 1995**

[54] **IMAGE FORMING APPARATUS**

[75] Inventors: **Hiroyuki Tokuda, Yokohama; Ryoko Unishi, Tokyo, both of Japan**

[73] Assignee: **Canon Kabushiki Kaisha, Tokyo, Japan**

[\*\*] Term: **14 Years**

[21] Appl. No.: **10,880**

[22] Filed: **Jul. 21, 1993**

[30] **Foreign Application Priority Data**

Jan. 22, 1993 [JP] Japan ..... 5-1455

[52] U.S. Cl. .... **D18/43; D18/40**

[58] Field of Search ..... **D18/36, 43, 40; 222/DIG. 1; 355/206, 208, 245, 260, 298**

[56] **References Cited**

**U.S. PATENT DOCUMENTS**

D. 276,916	12/1984	Masaki	.....	D18/36
D. 286,541	11/1986	Takahashi et al.	.....	D18/43
D. 287,023	12/1986	Masaki	.....	D18/36
D. 298,255	10/1988	Hirata	.....	D18/36
D. 298,259	10/1988	Masaki	.....	D18/36
D. 298,333	11/1988	Masaki et al.	.....	D18/36
D. 298,334	11/1988	Masaki et al.	.....	D18/36
D. 298,335	11/1988	Masaki et al.	.....	D18/36
D. 298,336	11/1988	Masaki	.....	D18/36
D. 303,541	9/1989	Aoyama	.....	D18/36

D. 303,542	9/1989	Tashiro	.....	D18/36
D. 303,543	9/1989	Seki	.....	D18/36
D. 308,696	6/1990	Tanizawa	.....	D18/40
D. 308,885	6/1990	Okayama et al.	.....	D18/40
D. 309,323	7/1990	Craft et al.	.....	D18/40
D. 310,539	9/1990	Komada et al.	.....	D18/40
D. 313,615	1/1991	Tokuda	.....	D18/40
D. 313,616	1/1991	Tokuda	.....	D18/36
D. 313,813	1/1991	Tokuda	.....	D18/36
D. 314,212	1/1991	Komada et al.	.....	D18/40
D. 338,227	8/1993	Tokuda et al.	.....	D18/43
D. 338,909	8/1993	Tokuda et al.	.....	D18/43

*Primary Examiner*—Alan P. Douglas  
*Assistant Examiner*—Caron D. Veynar  
*Attorney, Agent, or Firm*—Fitzpatrick, Cella, Harper & Scinto

[57] **CLAIM**

The ornamental design for an image forming apparatus, as shown and described.

**DESCRIPTION**

FIG. 1 is a front elevational view of an image forming apparatus showing our new design; FIG. 2 is a rear elevational view thereof; FIG. 3 is a top plan view thereof; FIG. 4 is a bottom plan view thereof; FIG. 5 is a left side elevational view thereof; FIG. 6 is a right side elevational view thereof; and, FIG. 7 is a perspective view thereof.

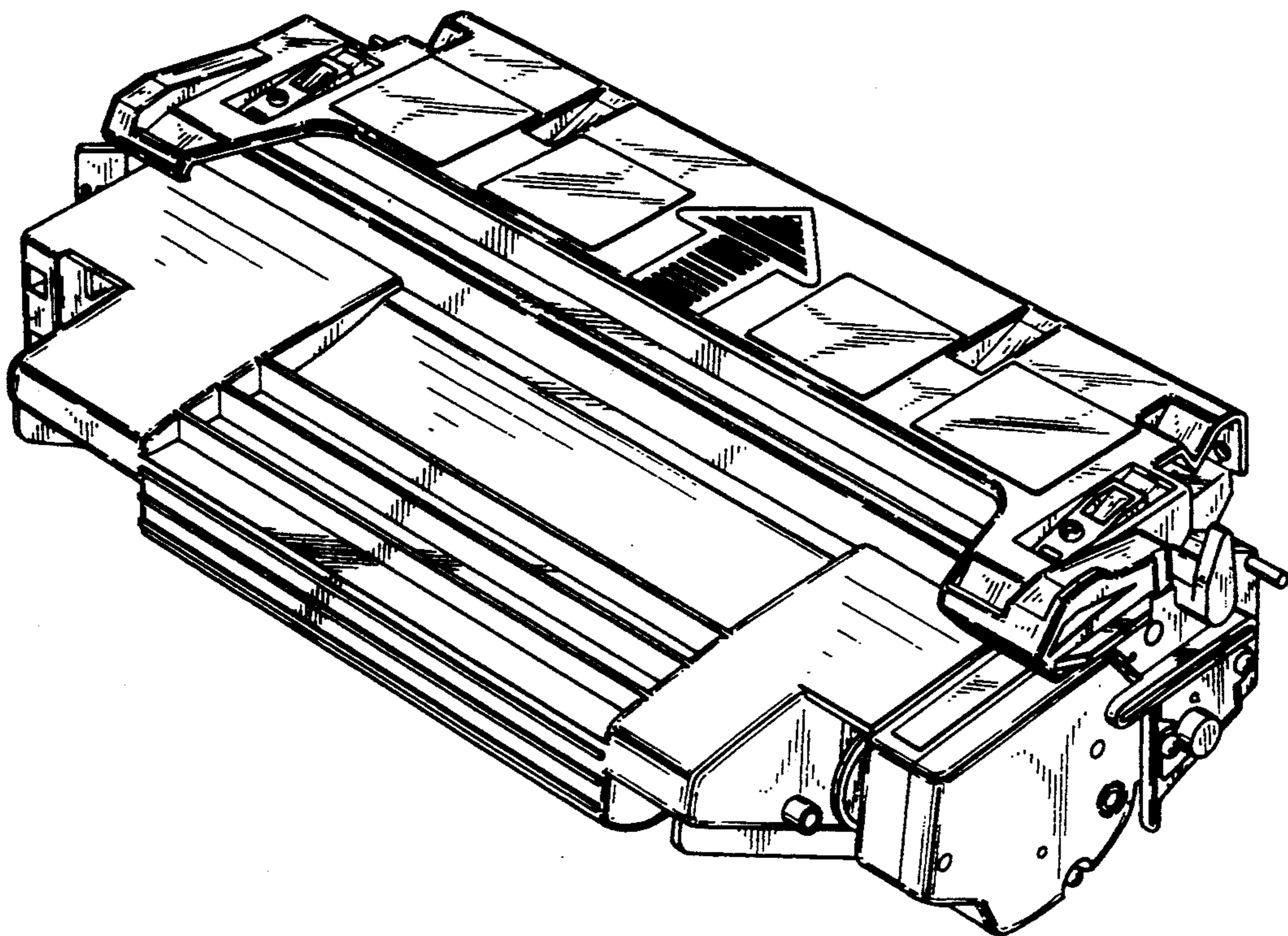


FIG. 1

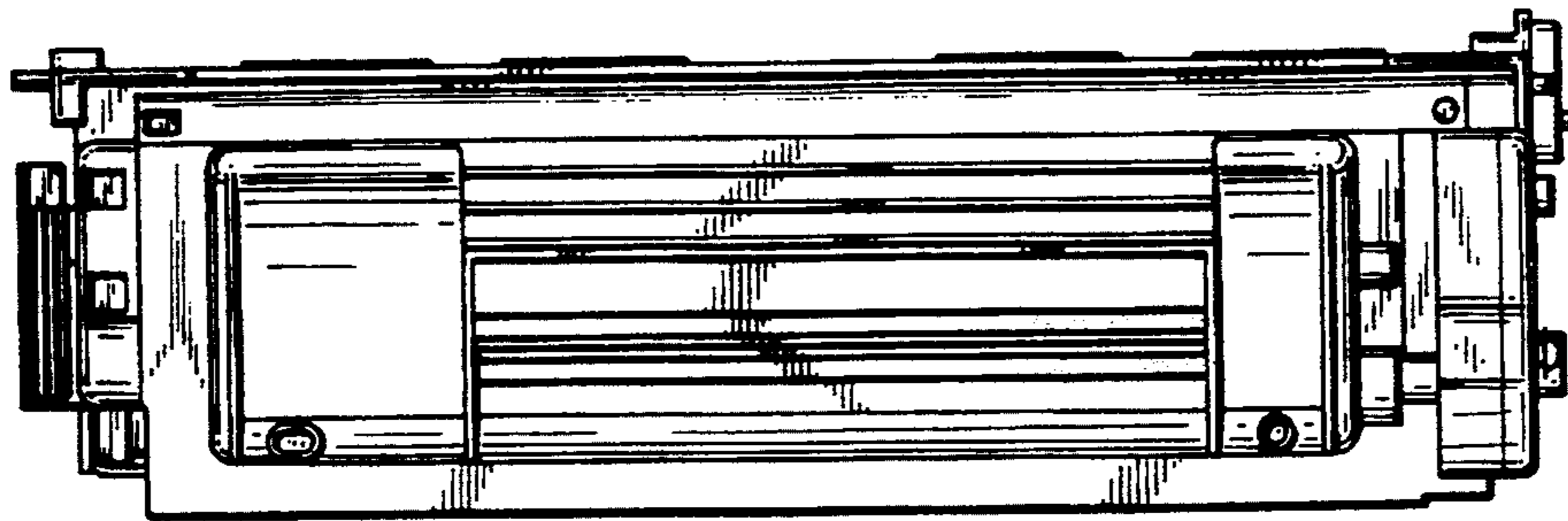


FIG. 2

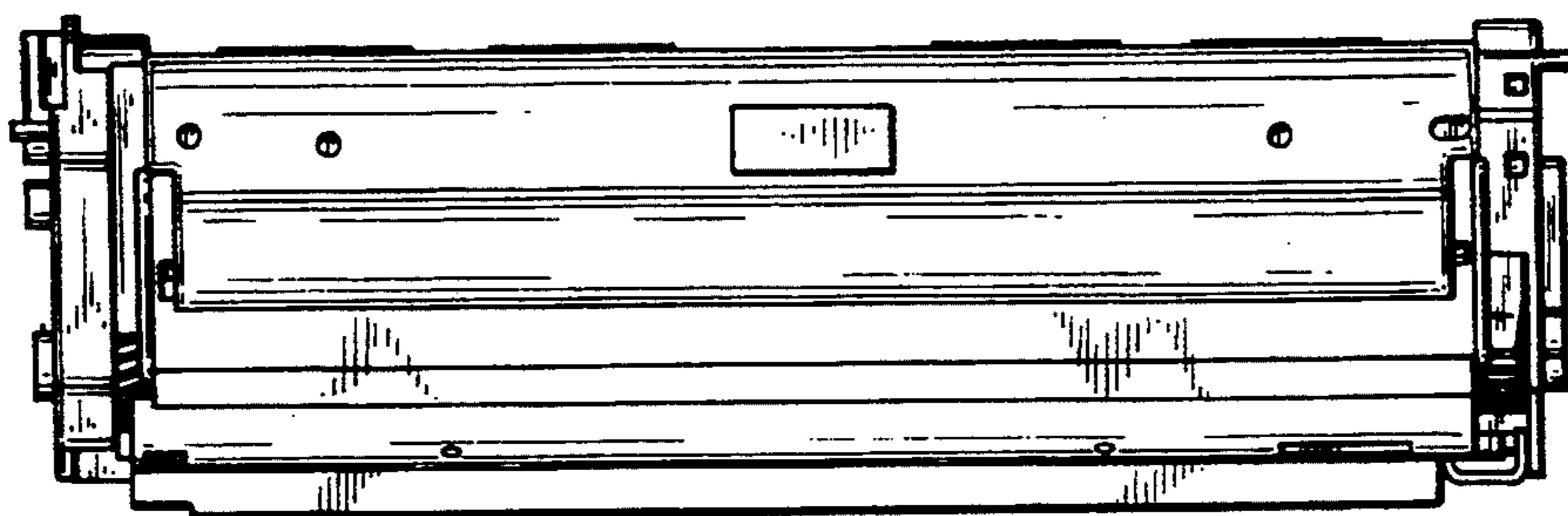


FIG. 3



FIG. 4

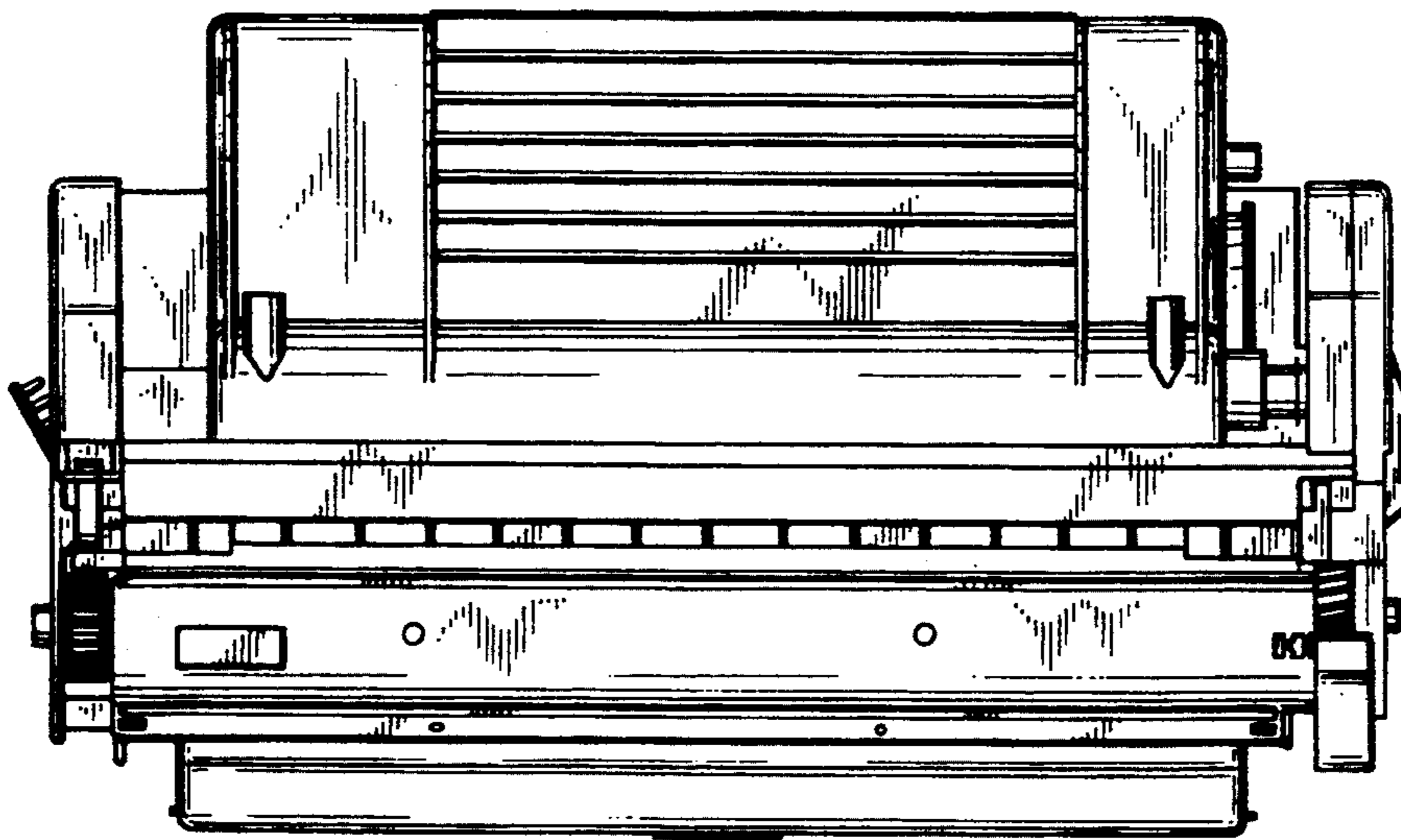


FIG. 5

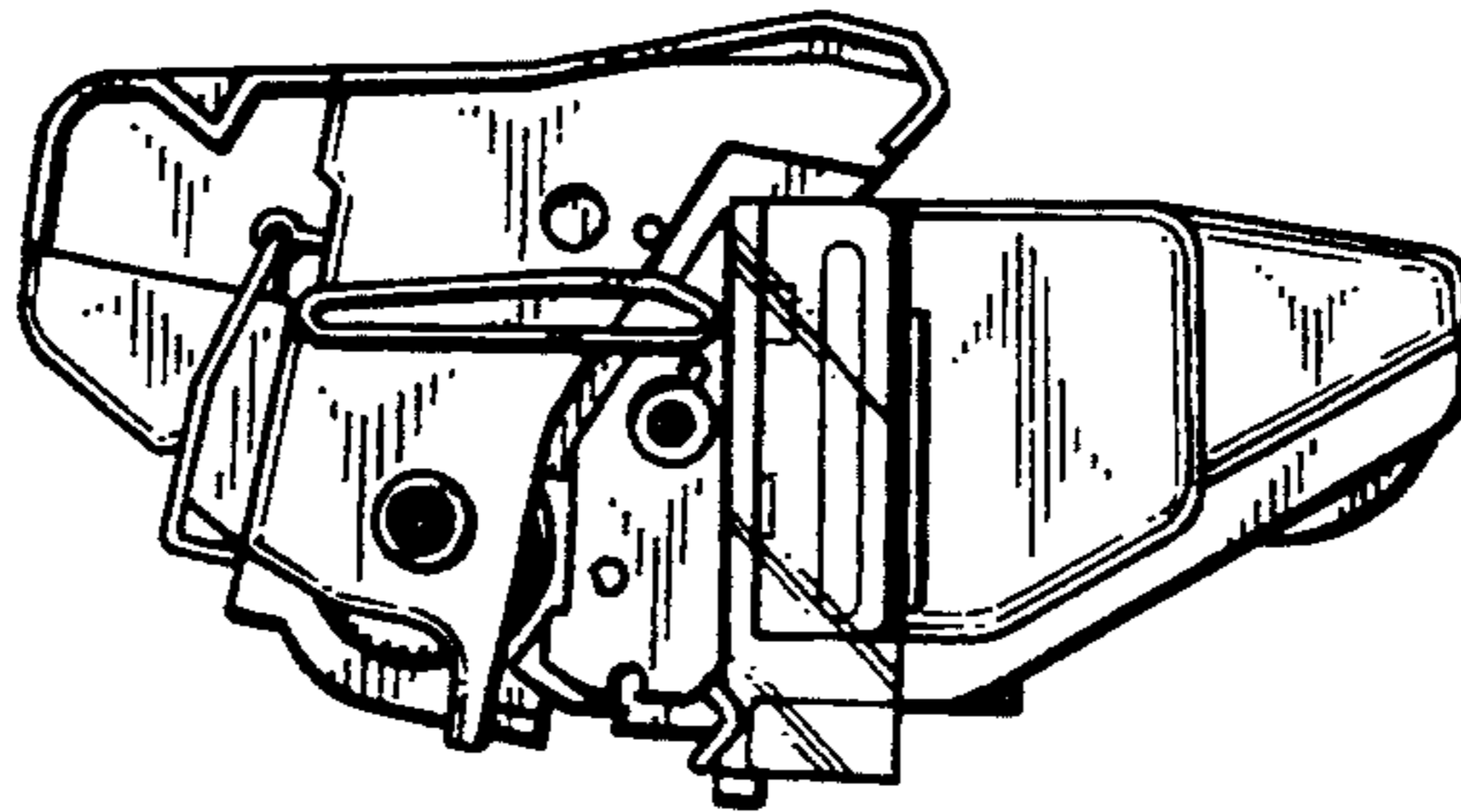


FIG. 6

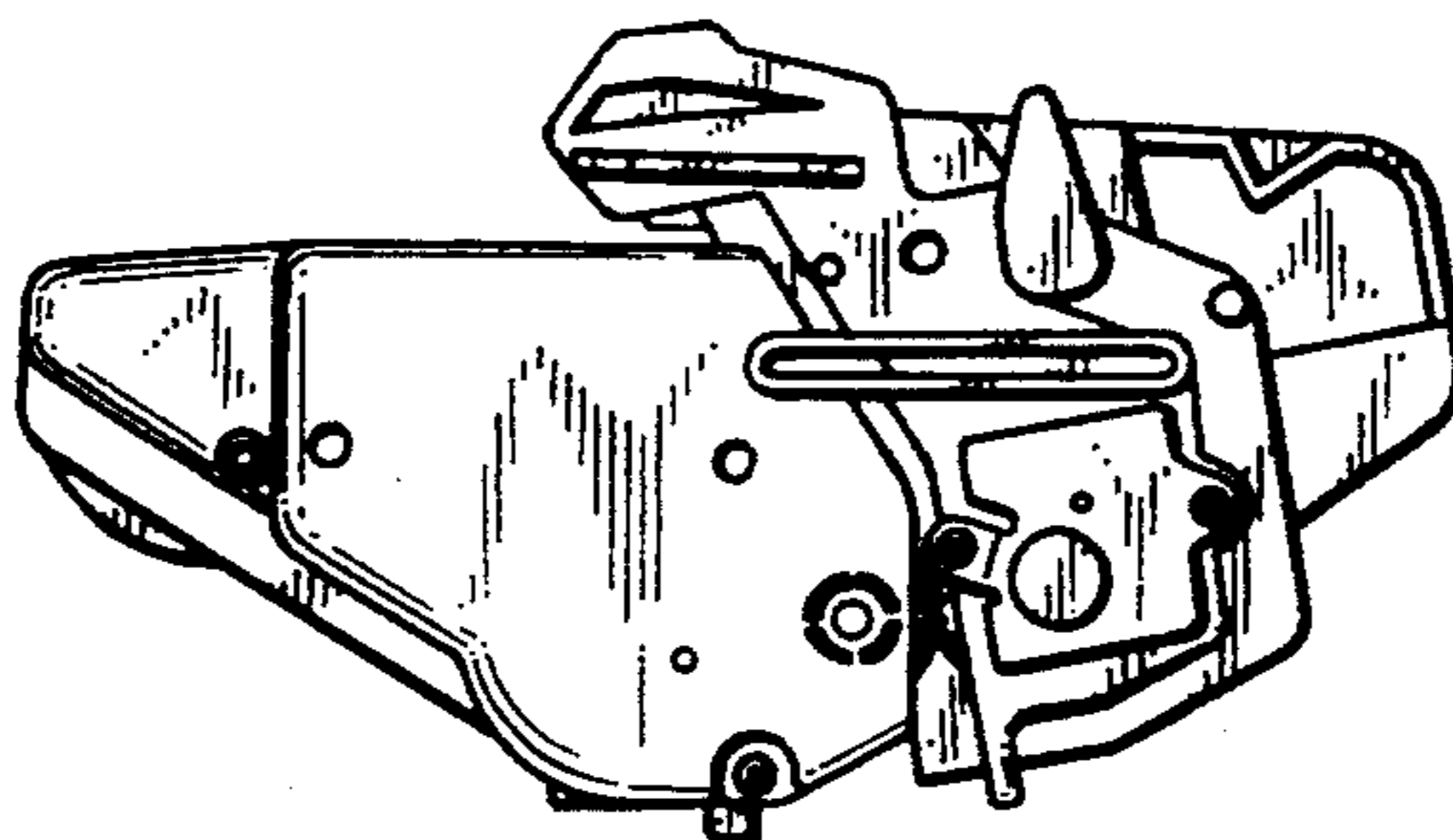


FIG. 7

