



US00D357267S

United States Patent [19]

[11] Patent Number: **Des. 357,267**

Yotsuya

[45] Date of Patent: **** Apr. 11, 1995**

[54] **MINI TRIPOD**

4,751,540 6/1988 Jones 354/293

[75] Inventor: **Kazuhisa Yotsuya, Tokyo, Japan**

Primary Examiner—B. J. Bullock
Assistant Examiner—Adir Aronovich
Attorney, Agent, or Firm—Leonard Bloom

[73] Assignee: **Hakuba Photo Industry Co., Ltd., Japan**

[**] Term: **14 Years**

[57] **CLAIM**

[21] Appl. No.: **16,155**

The ornamental design for a mini tripod, as shown and described.

[22] Filed: **Dec. 9, 1993**

DESCRIPTION

[52] U.S. Cl. **D16/244**

FIG. 1 is a perspective view of a mini tripod showing my new design;

[58] Field of Search **D16/244, 245; 248/168-171; 352/243; 354/81, 293**

FIG. 2 is a front elevational view thereof;

FIG. 3 is a rear elevational view thereof;

FIG. 4 is a left side elevational view thereof;

FIG. 5 is a right side elevational view thereof;

FIG. 6 is a top view thereof;

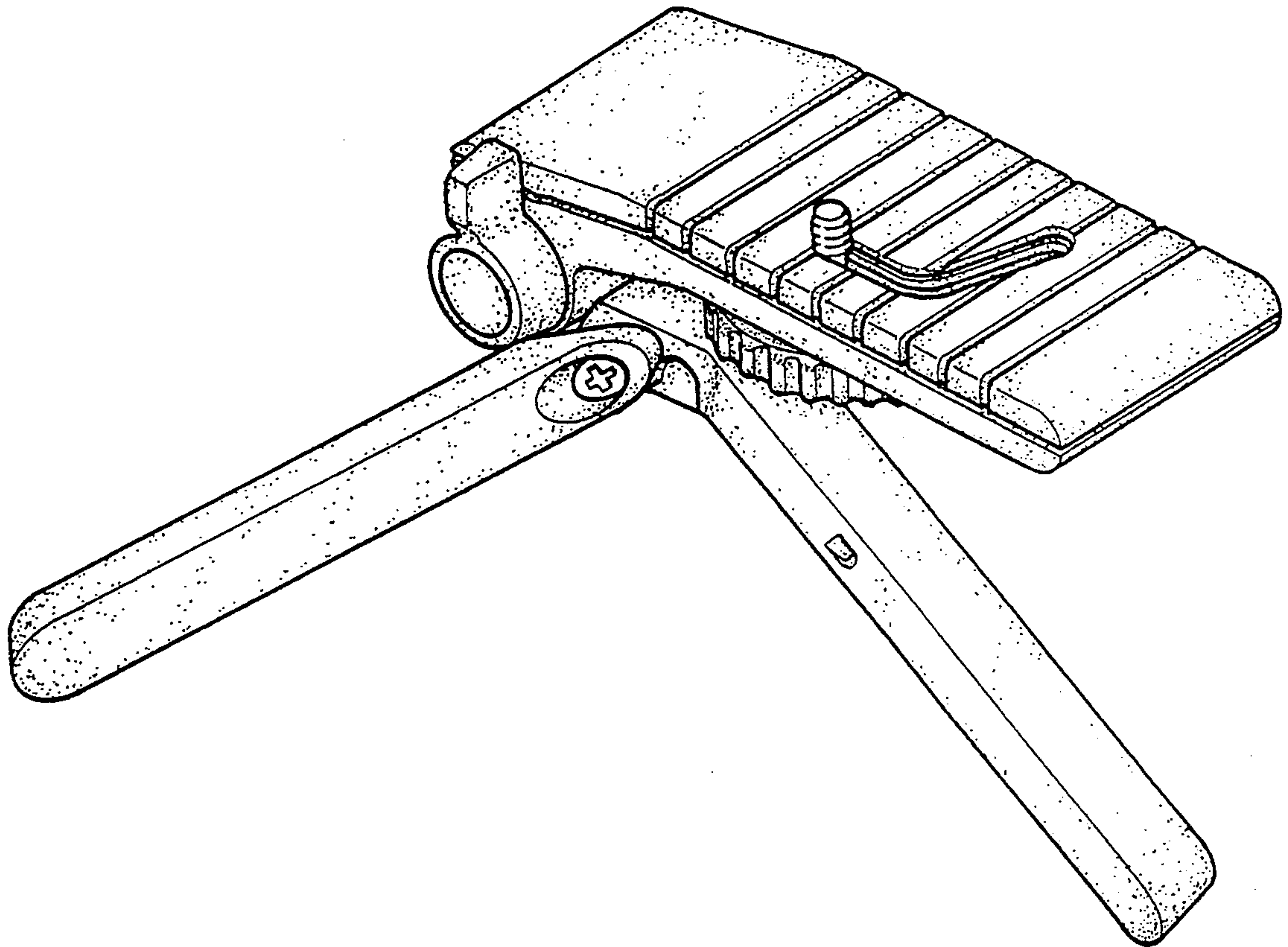
FIG. 7 is a bottom plan view thereof; and,

FIG. 8 is a perspective view thereof, the tripod shown in a collapsed position.

[56] **References Cited**

U.S. PATENT DOCUMENTS

D. 299,243	1/1989	Iwasaki	D16/244
D. 349,717	8/1994	Akaike et al.	D16/244
D. 349,914	8/1994	Usui	D16/244
4,648,698	3/1987	Iwasaki	354/293



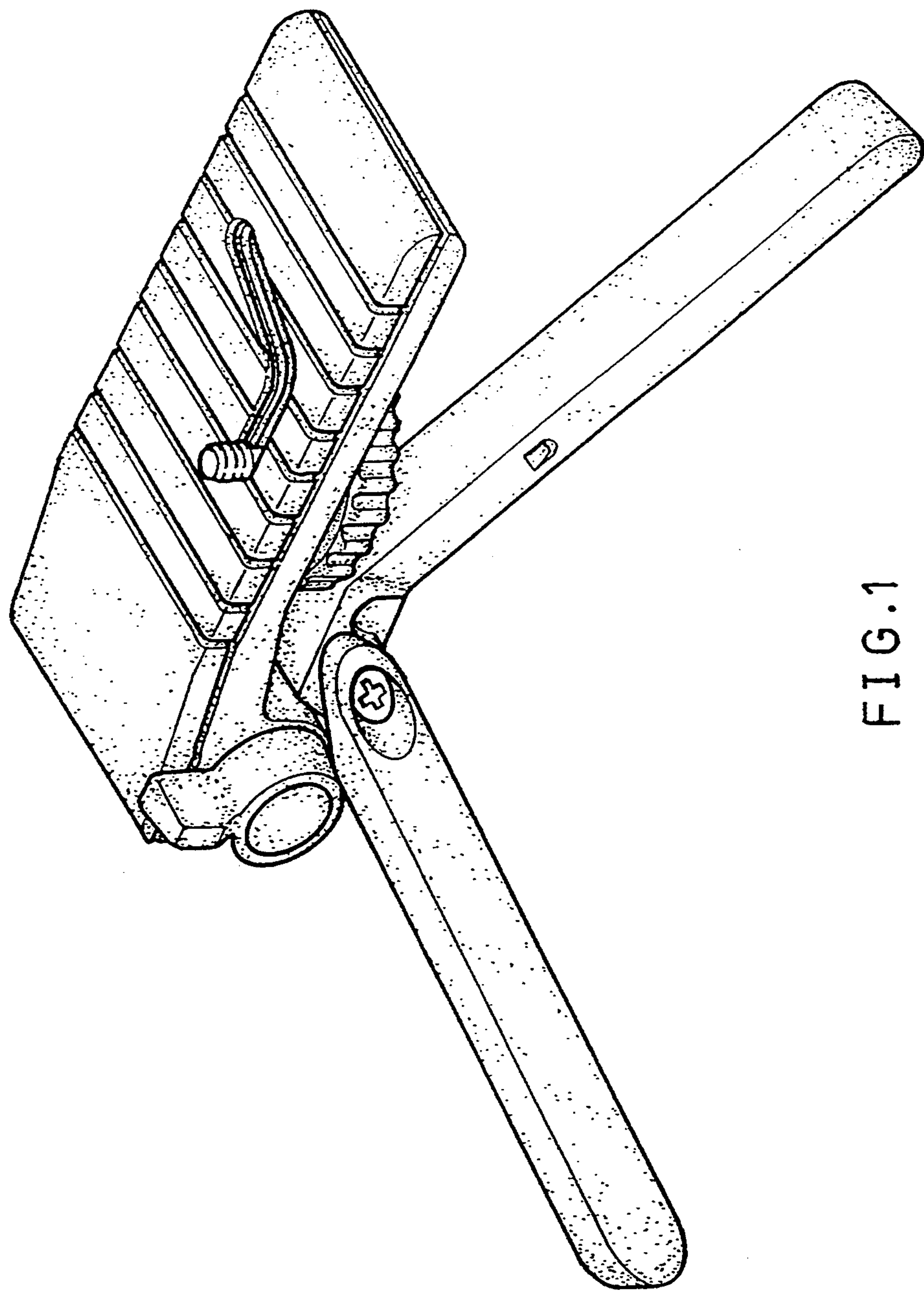


FIG. 1

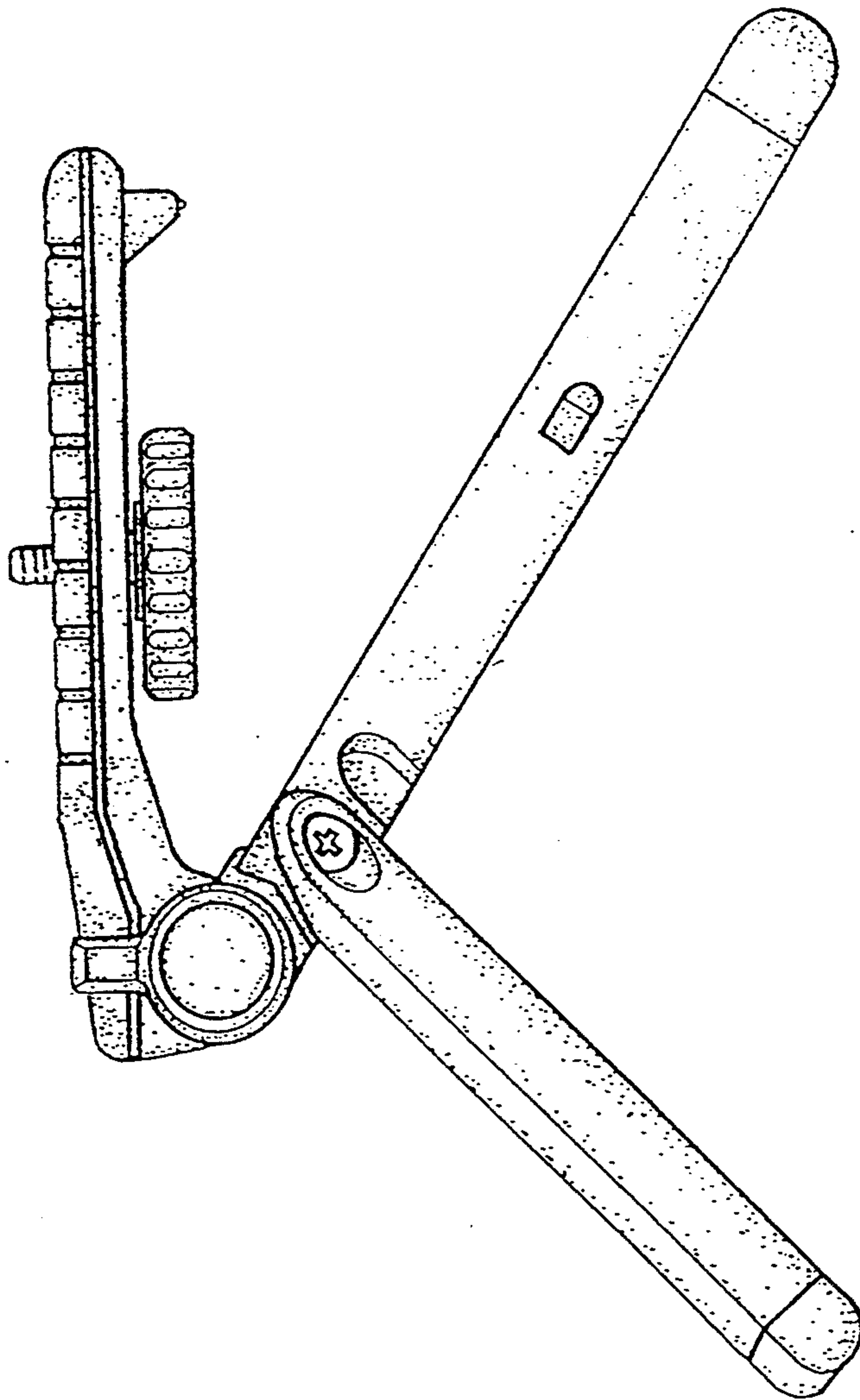


FIG. 2

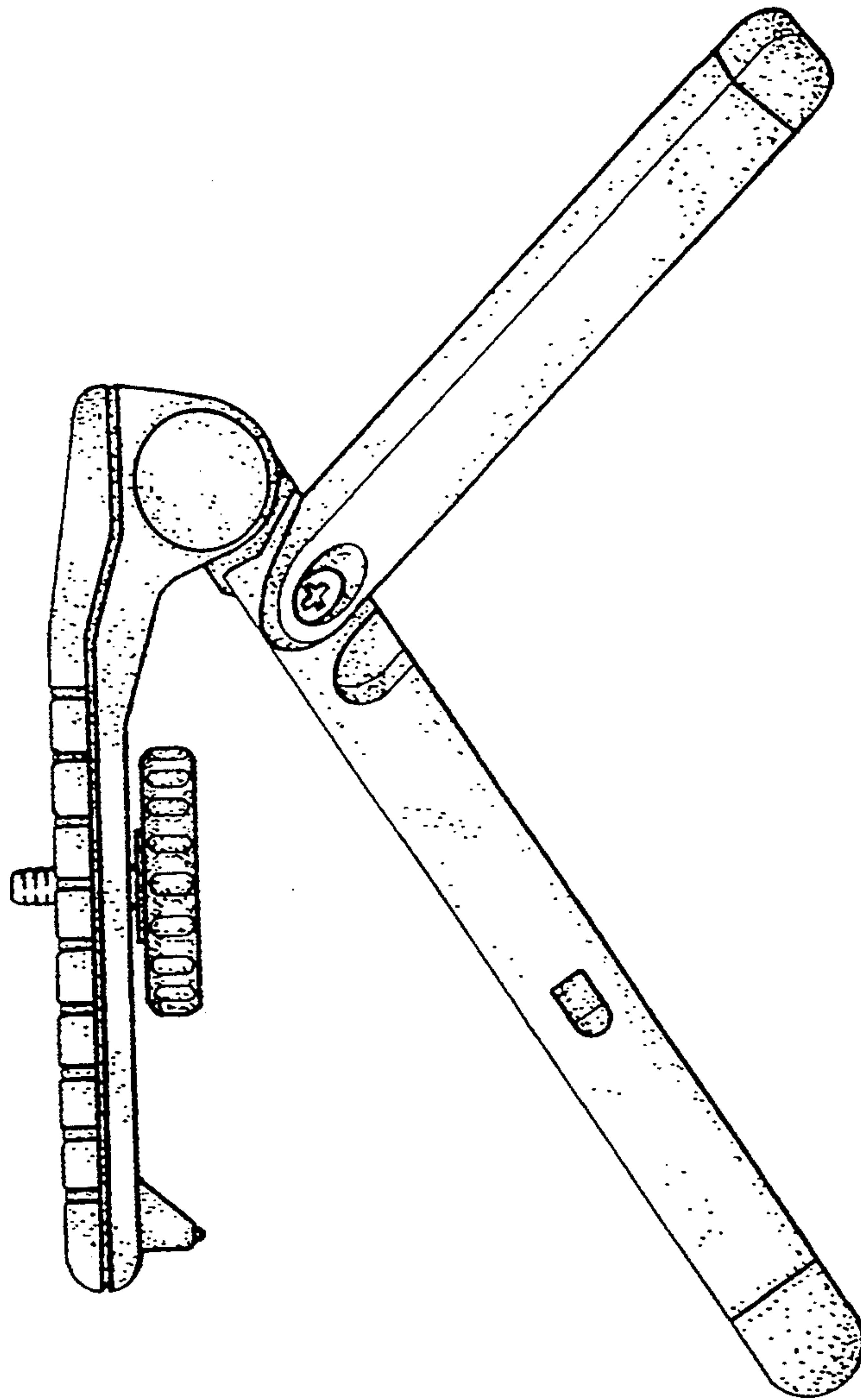


FIG. 3

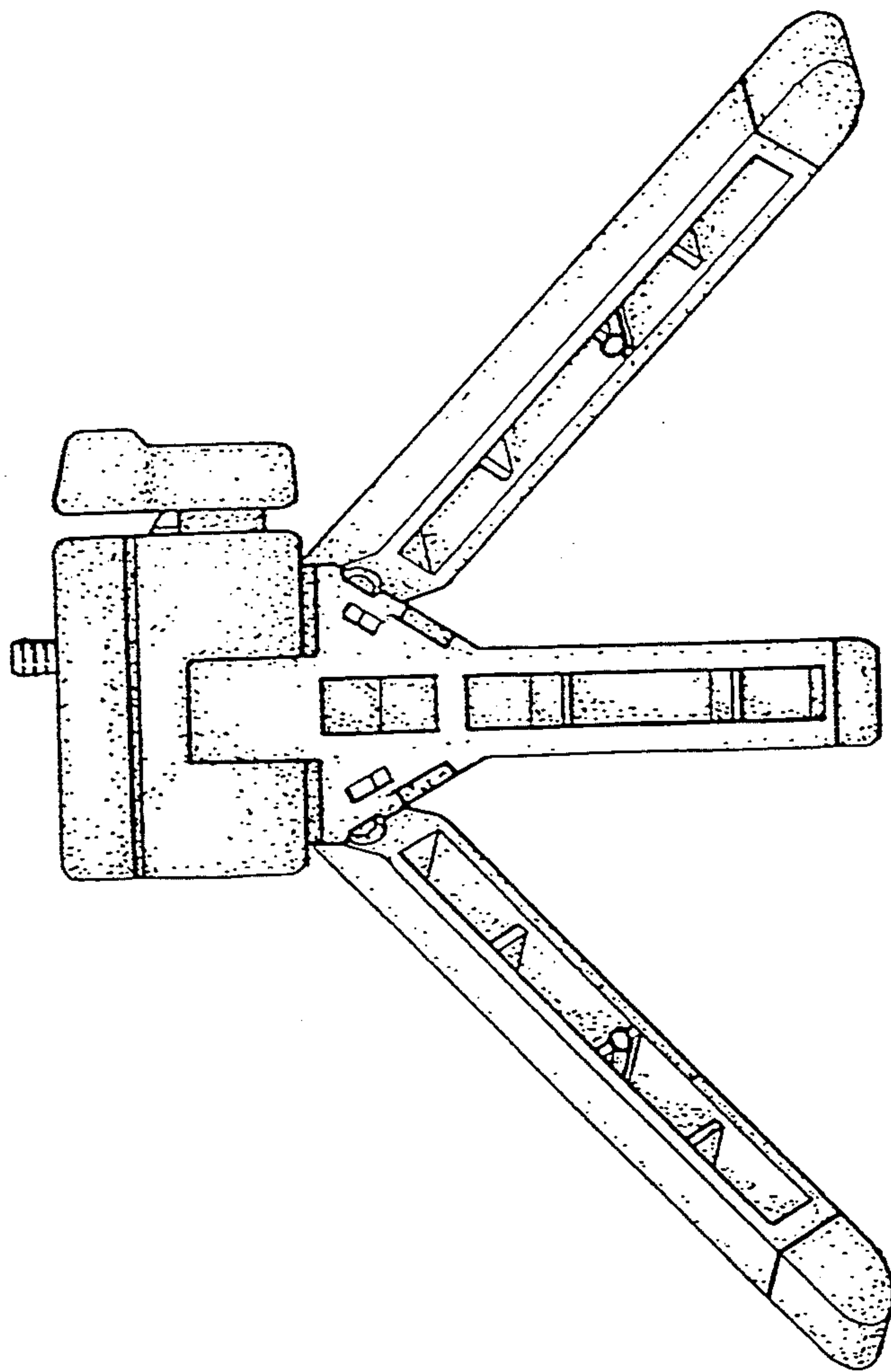


FIG. 4

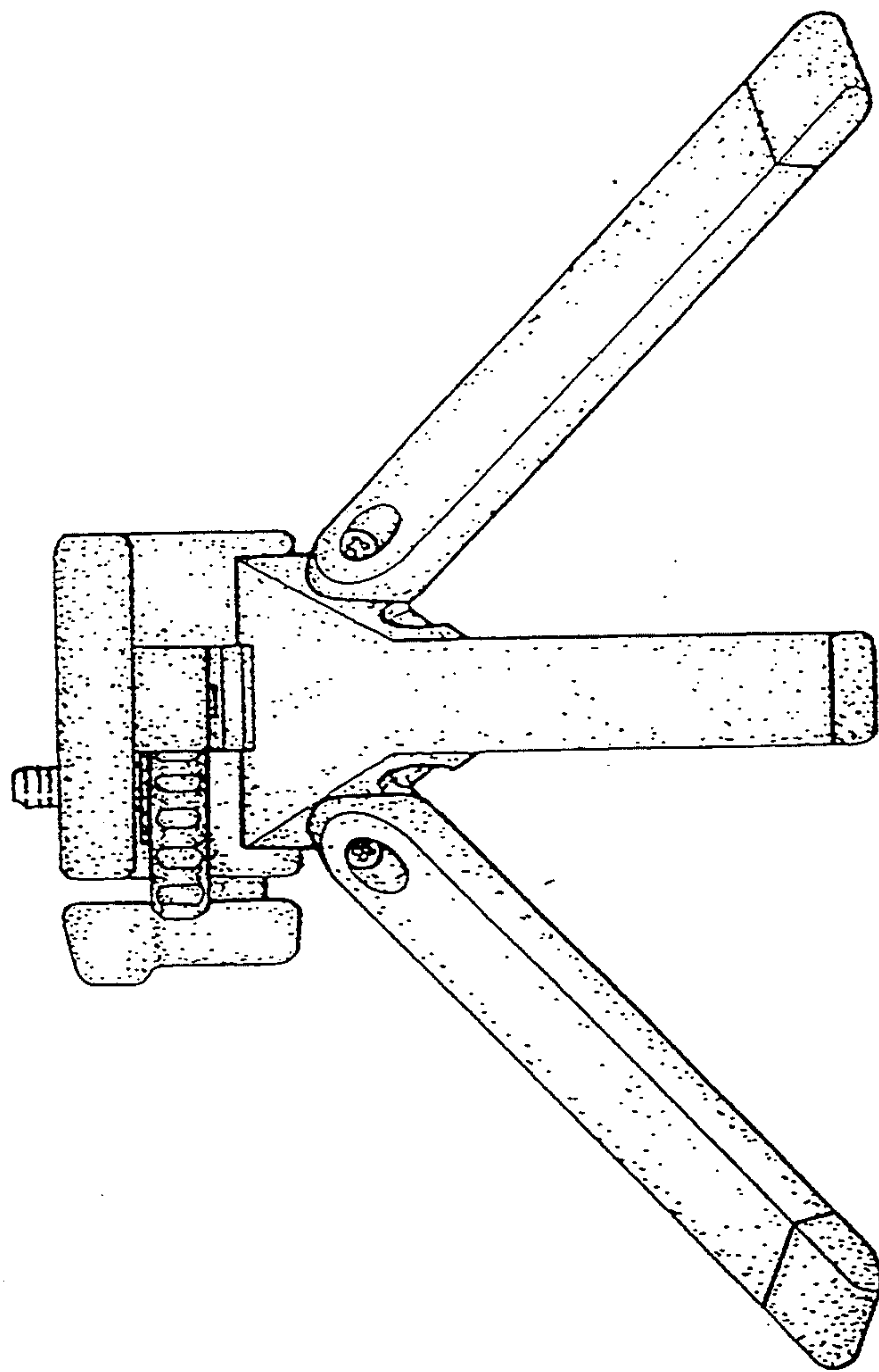


FIG. 5

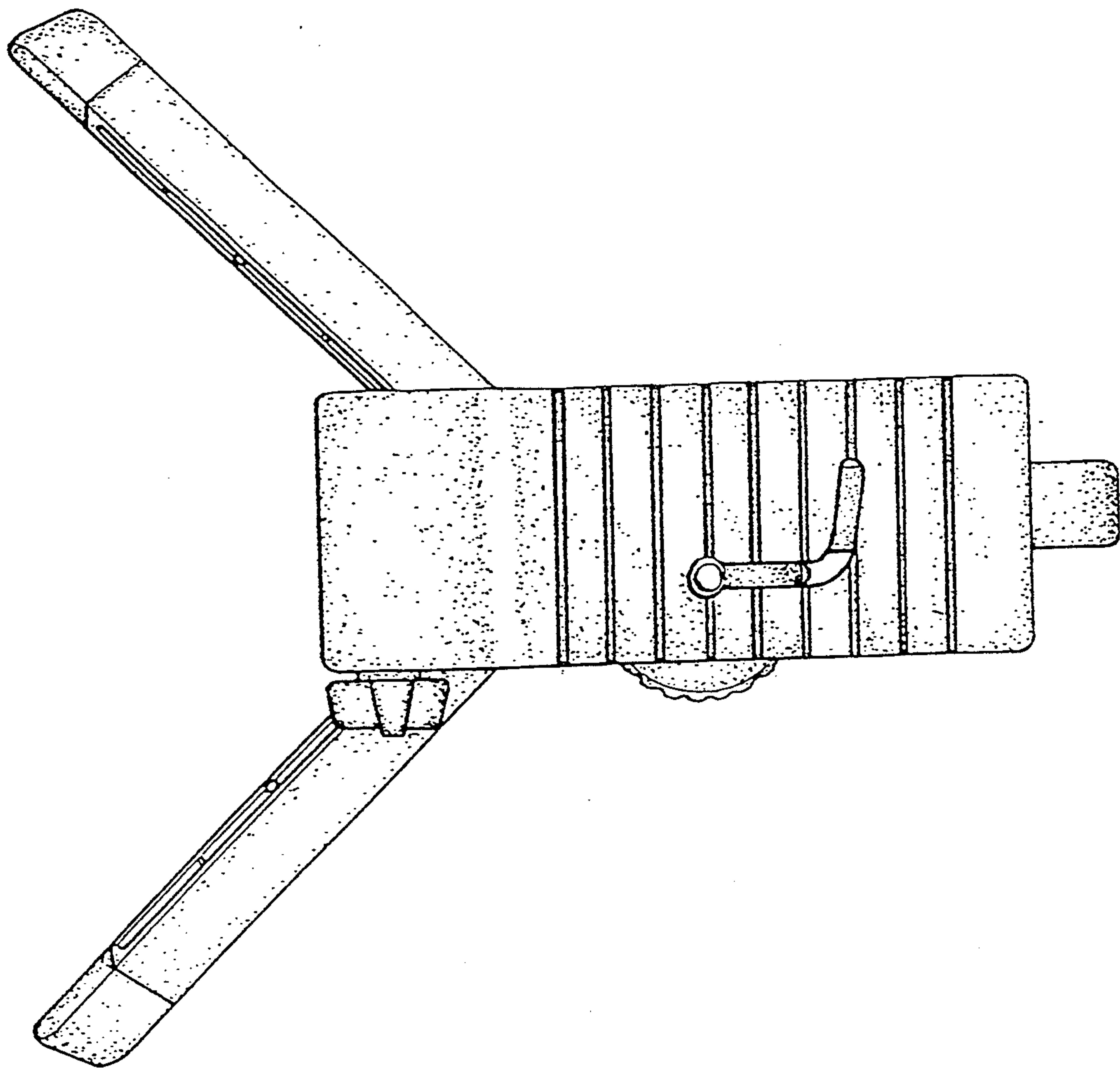


FIG. 6

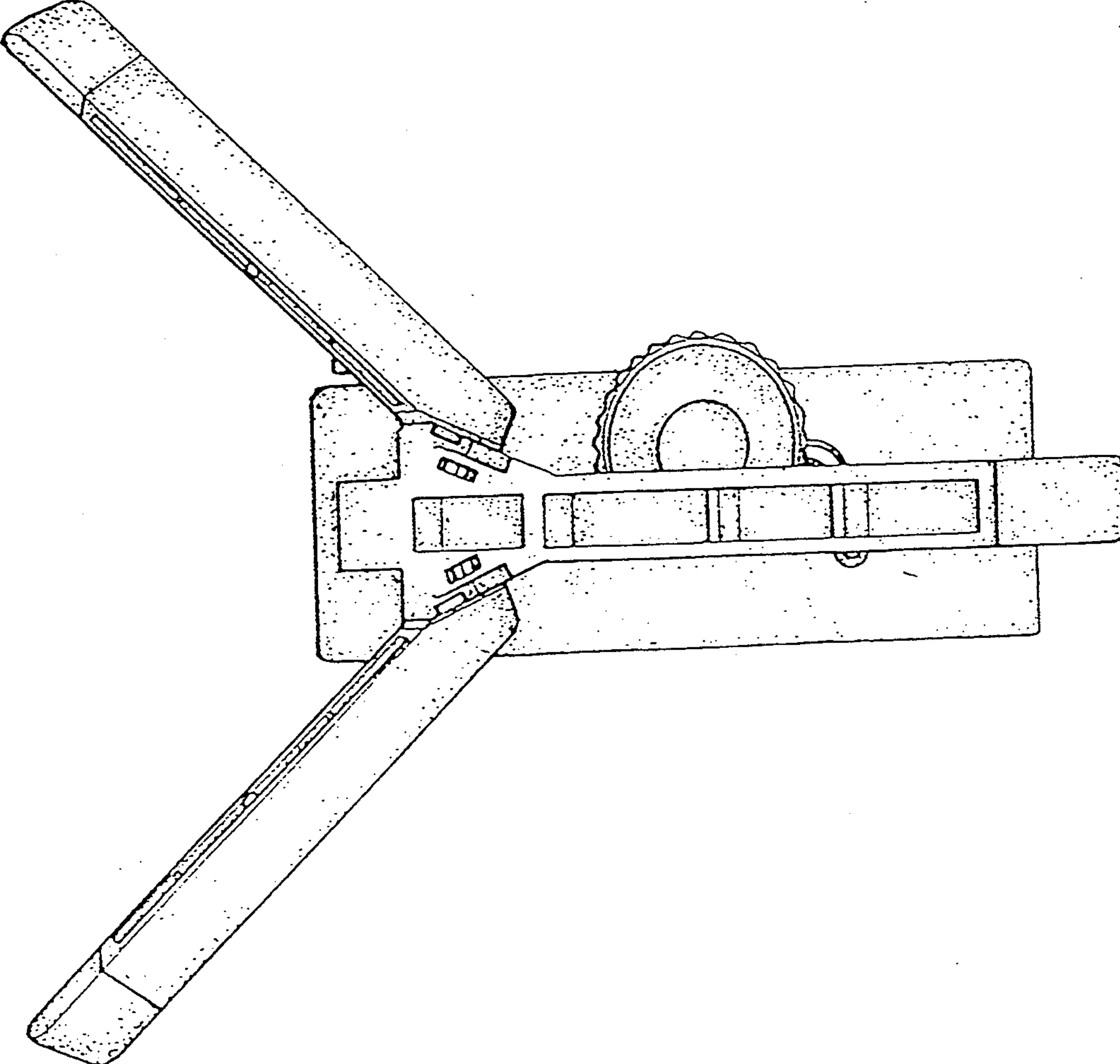


FIG.7

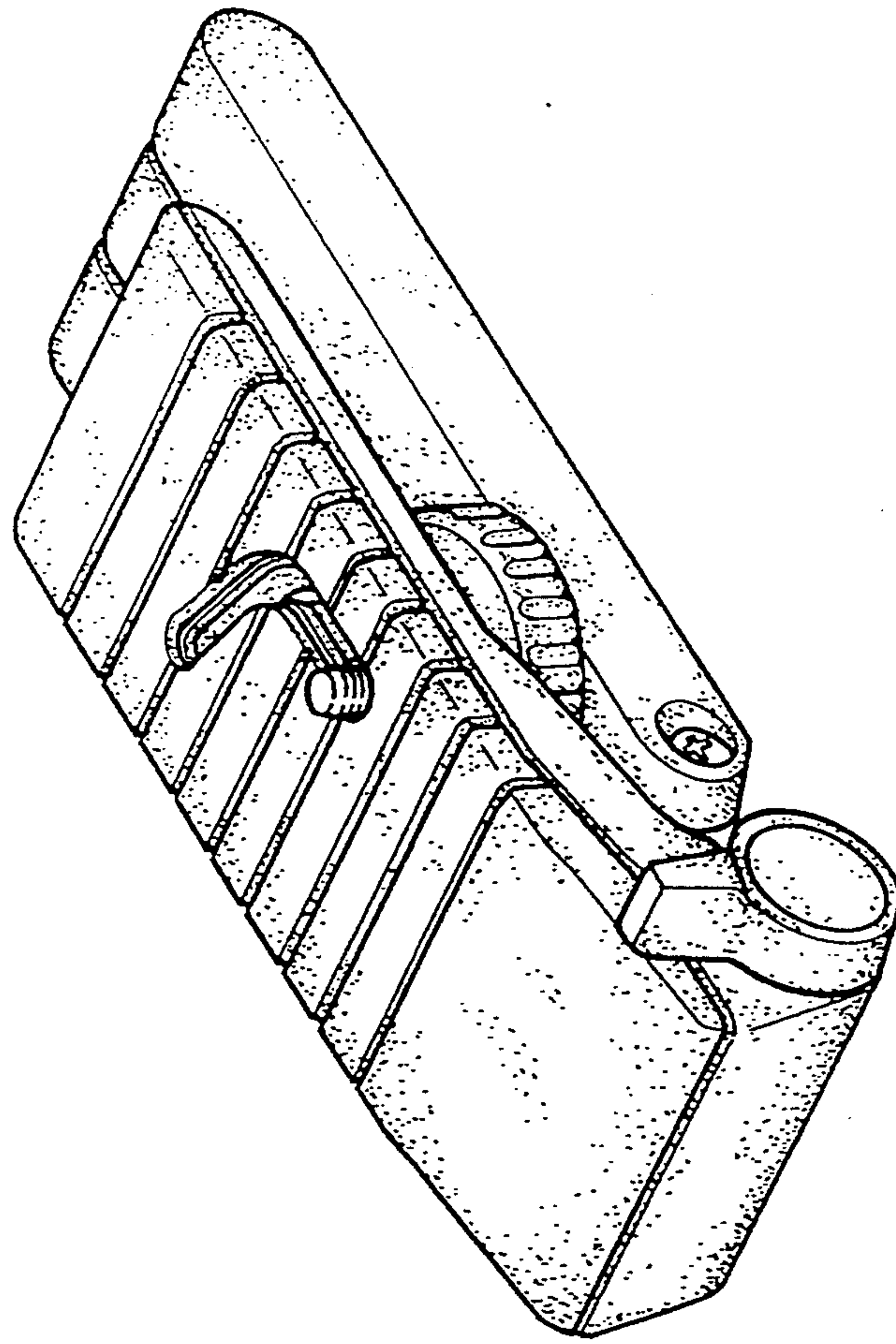


FIG. 8