



US00D357264S

# United States Patent [19]

[11] Patent Number: **Des. 357,264**

Williams

[45] Date of Patent: **\*\* Apr. 11, 1995**

[54] **GOLF GRIP REPLACEMENT TOOL**

[76] Inventor: **Kevin Williams**, 2141 Sheridan, Fayetteville, Ark. 72703

[\*\*] Term: **14 Years**

[21] Appl. No.: **17,797**

[22] Filed: **Jan. 24, 1994**

[52] U.S. Cl. .... **D15/199**

[58] Field of Search ..... **D15/199; D34/25; 16/111 R, 110 R, 112; 273/81.2, 81 R, 75, 81.5, 81 D, 80 R, DIG. 7; 29/235, 270; 280/DIG. 3, 4, 6, 481, 659, 63-77**

[56] **References Cited**

**U.S. PATENT DOCUMENTS**

D. 328,307 7/1992 Belletire et al. .... **D15/145**  
5,123,646 6/1992 Overby et al. .... **273/81.2**

*Primary Examiner*—Alan P. Douglas

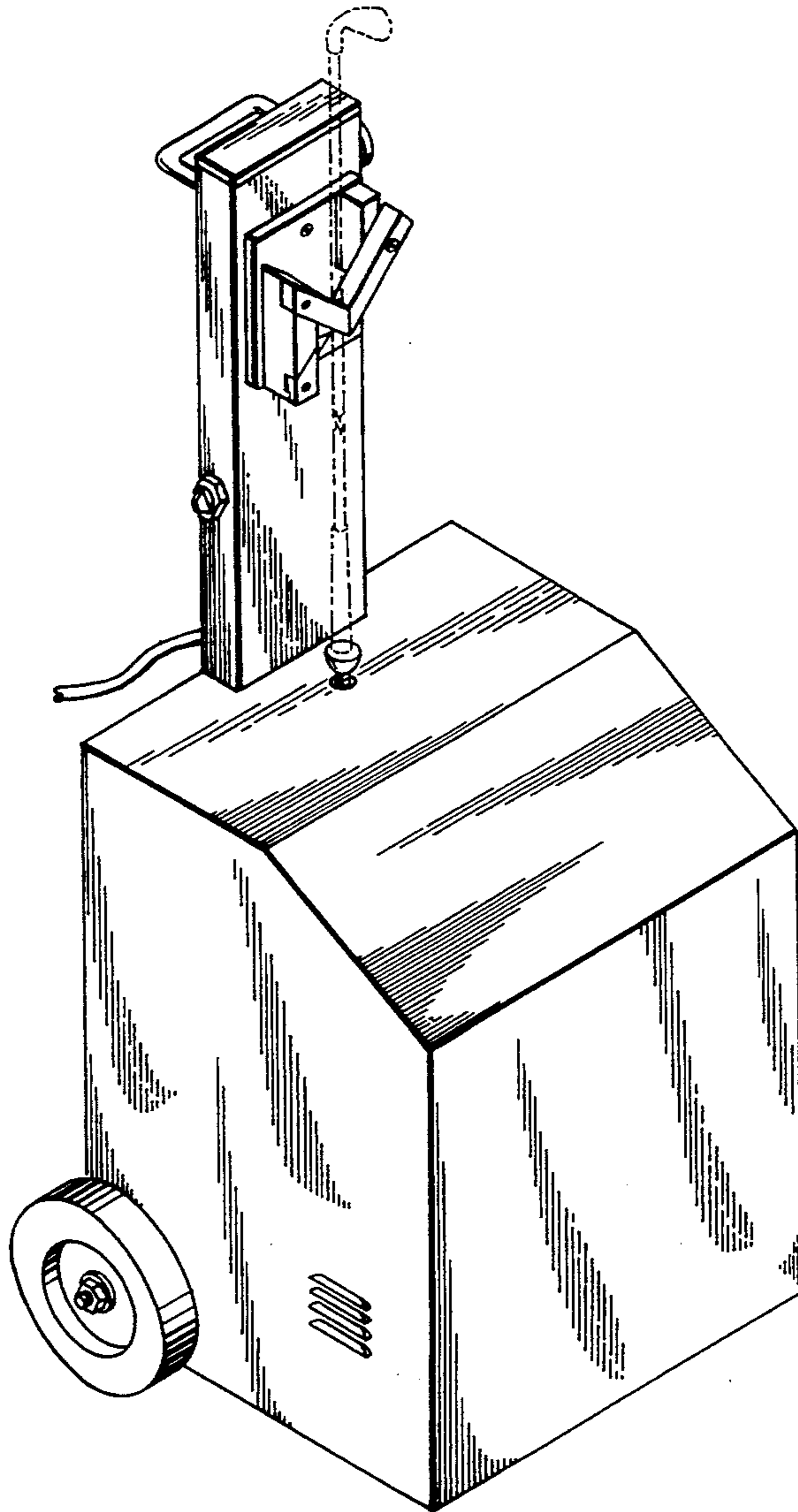
*Assistant Examiner*—Antoine D. Davis  
*Attorney, Agent, or Firm*—Robert R. Keegan

[57] **CLAIM**

The ornamental design for a golf grip replacement tool, as shown and described.

**DESCRIPTION**

FIG. 1 is a front perspective view of a golf grip replacement tool, showing my new design; FIG. 2 is a right side elevational view thereof; FIG. 3 is a rear elevational view thereof; FIG. 4 is a top plan view thereof; FIG. 5 is a bottom plan view thereof; and, FIG. 6 is an enlarged perspective view of the top front portion thereof as seen in FIG. 1. The golf club shown in dashed lines in FIG. 1 shows environment and does not form part of the design while the cord element has been shown broken away for ease of illustration.



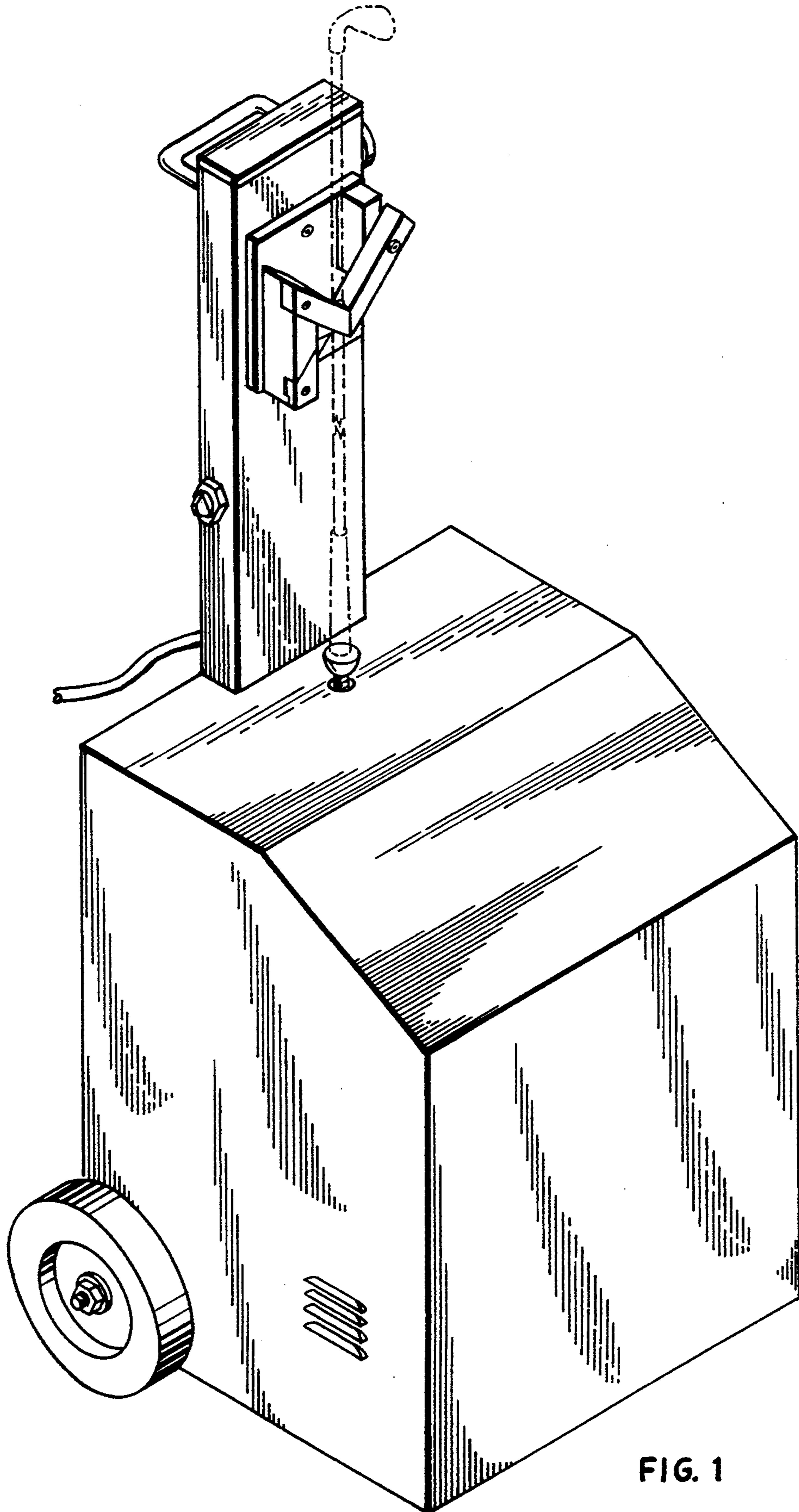


FIG. 1

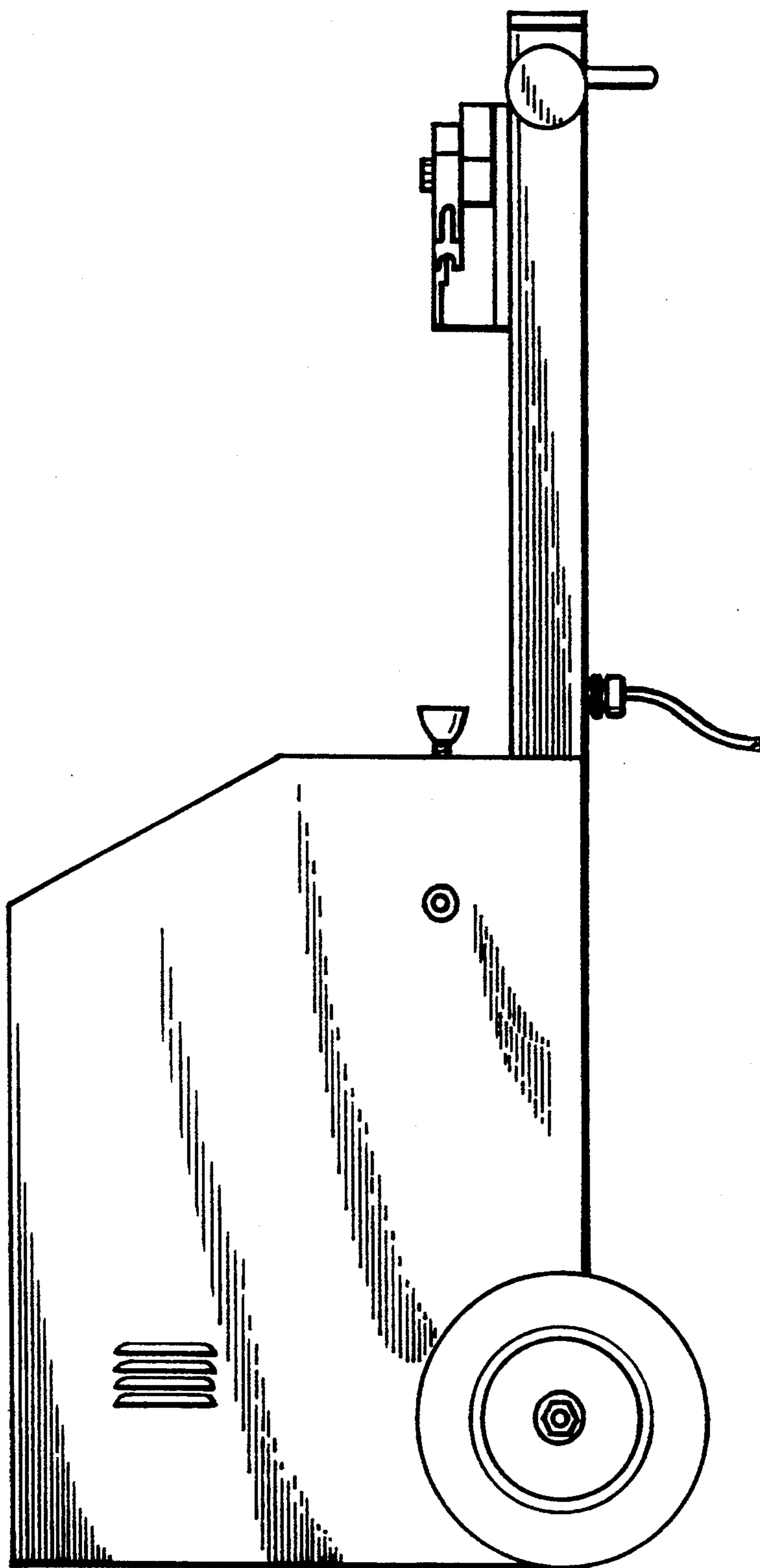


FIG. 2

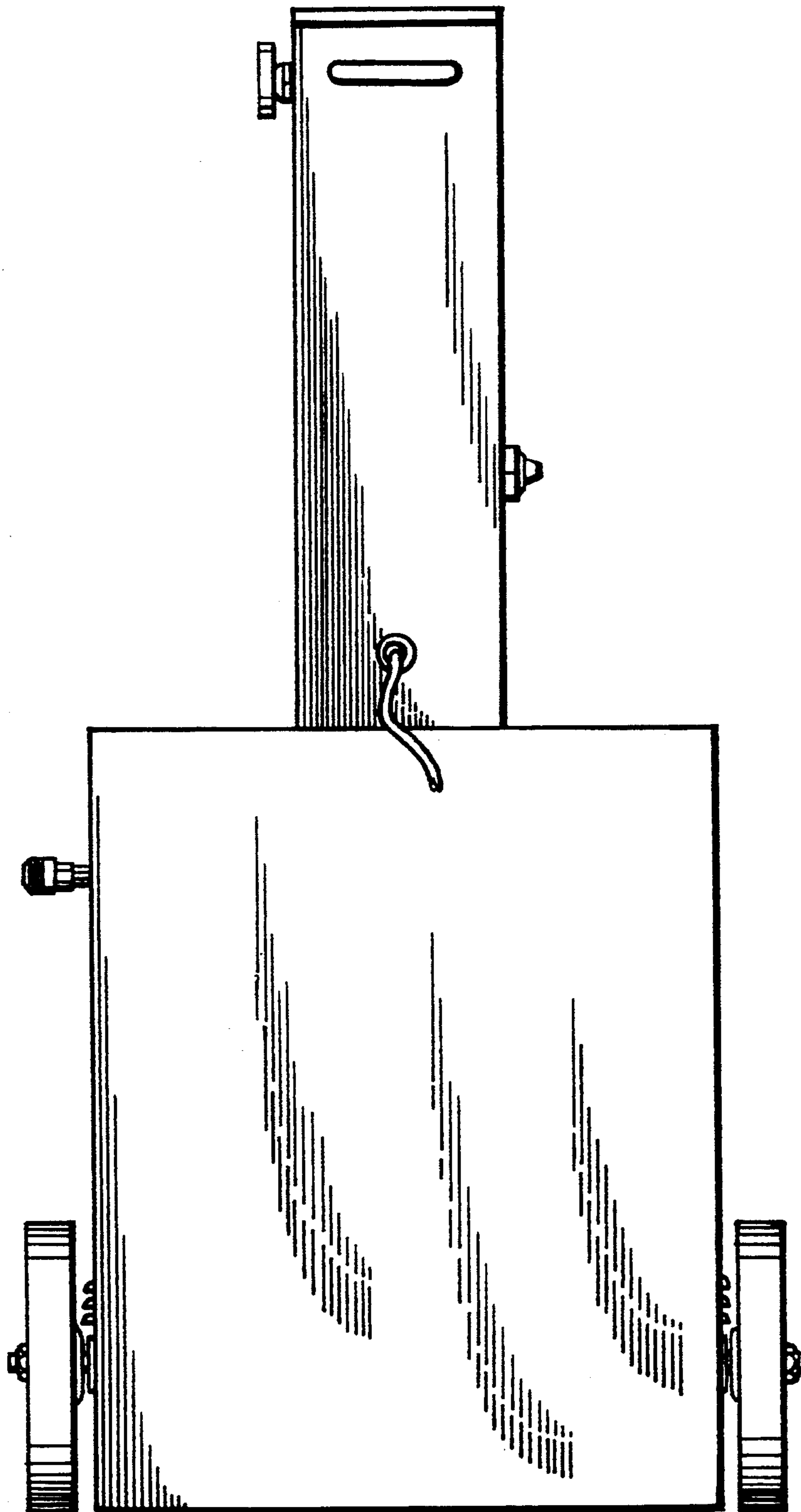


FIG. 3

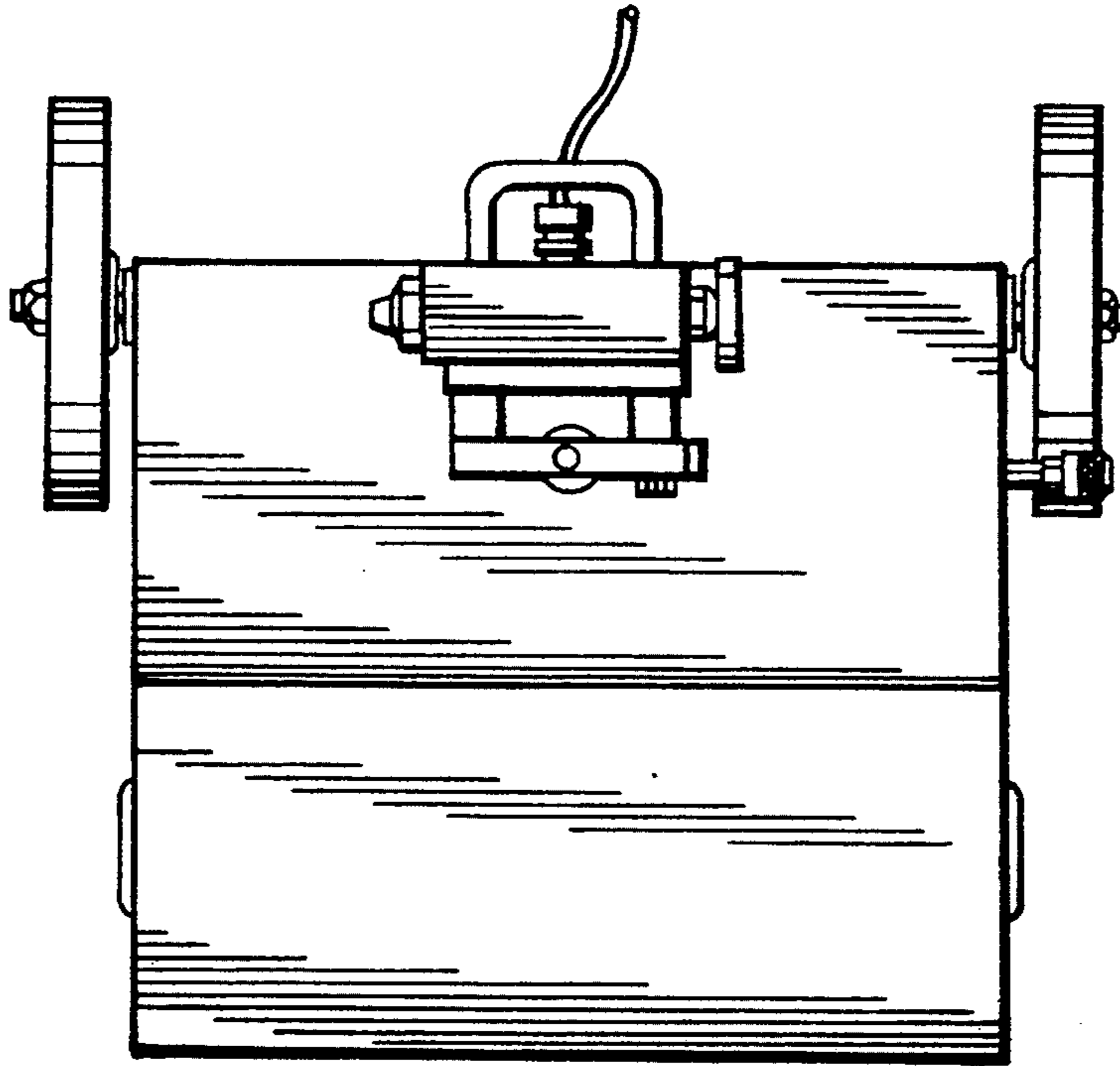


FIG. 4

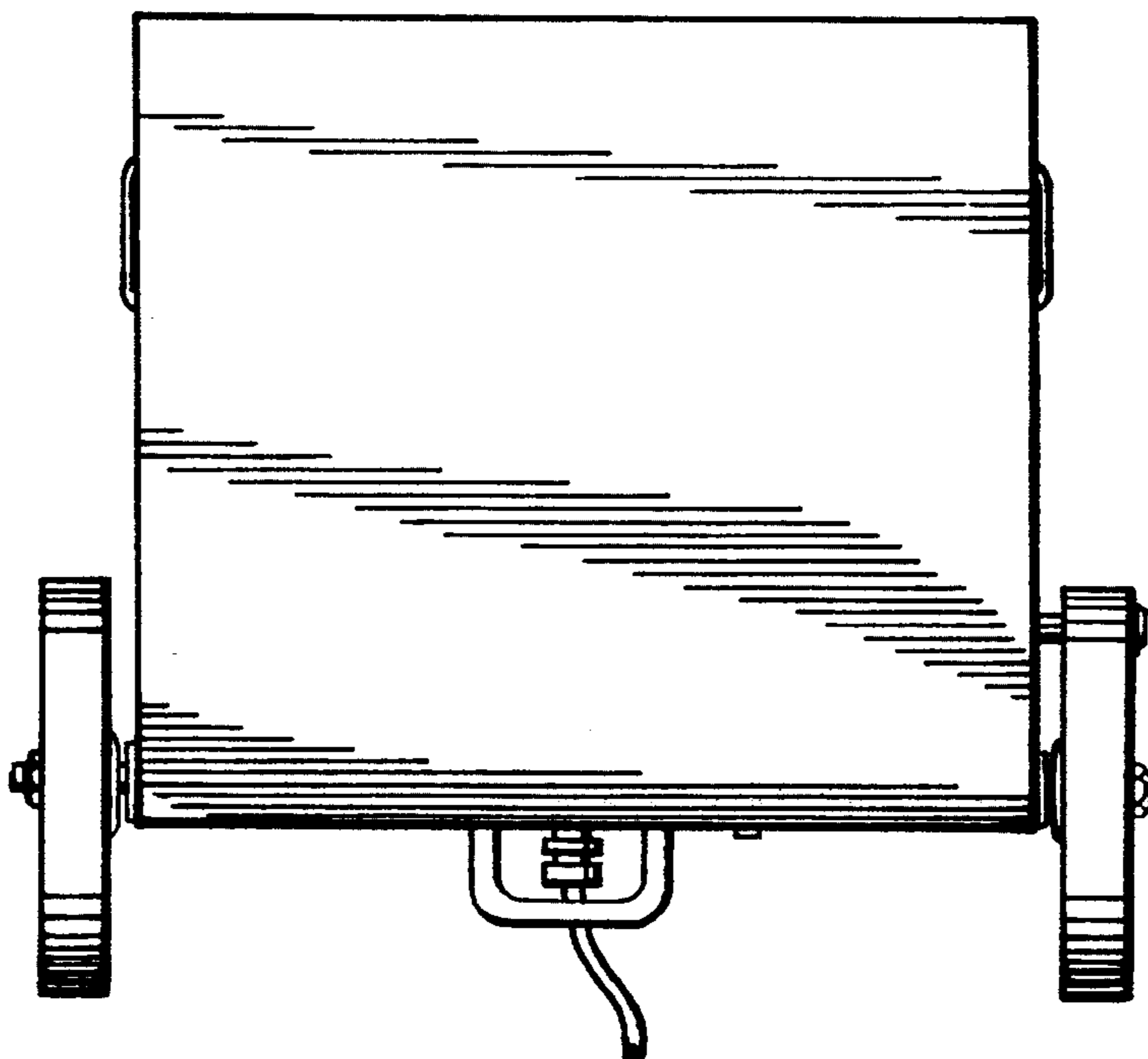


FIG. 5

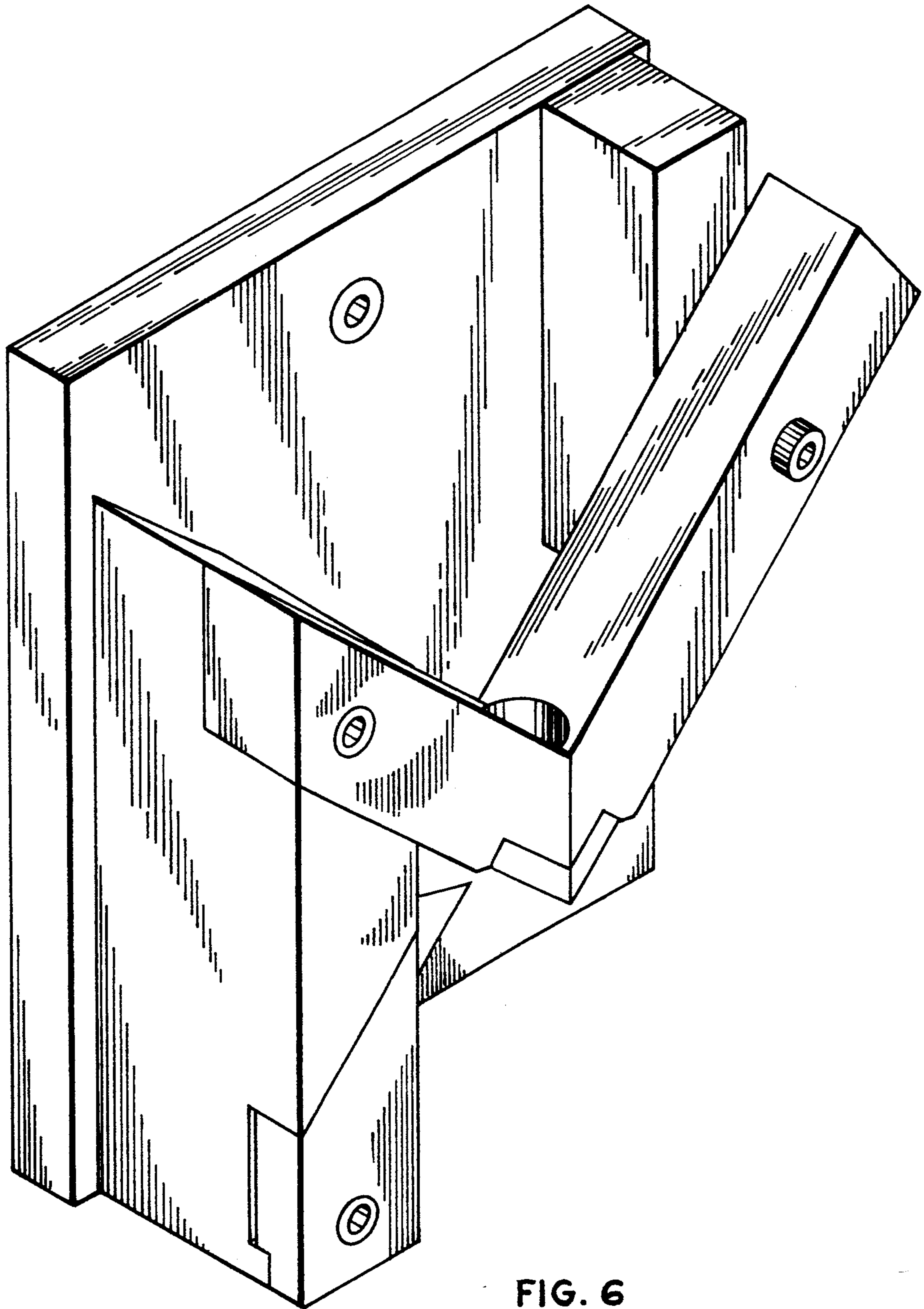


FIG. 6