



US00D357263S

# United States Patent [19] Söderholm

[11] Patent Number: **Des. 357,263**  
[45] Date of Patent: **\*\* Apr. 11, 1995**

[54] **WELDING APPARATUS**  
[75] Inventor: **Stephan Söderholm, Gothenburg, Sweden**  
[73] Assignee: **ESAB Aktiebolag, Gothenburg, Sweden**  
[\*\*] Term: **14 Years**  
[21] Appl. No.: **8,188**  
[22] Filed: **May 10, 1993**  
[30] **Foreign Application Priority Data**  
Nov. 11, 1992 [SE] Sweden ..... 92-2380  
[52] U.S. Cl. .... **D15/144.2**  
[58] **Field of Search** ..... D15/144, 144.1, 144.2; 174/15.7, 27, 103, 117 R; 219/136, 137 R, 137 PS, 137 WM, 137.2, 130.1, 130.21, 130.31, 130.32, 130.33, 130.4, 86.1, 86.21, 86.22, 108, 116, 24, 385, 386, 520; 323/361

3,784,778 1/1974 McPherson et al. .... 219/60 A  
3,993,858 11/1976 Sciaky ..... 174/15.7  
5,212,364 5/1993 Chen ..... 219/137 PS

### FOREIGN PATENT DOCUMENTS

1019197 2/1985 United Kingdom .

*Primary Examiner*—Alan P. Douglas  
*Assistant Examiner*—Antoine D. Davis  
*Attorney, Agent, or Firm*—Nils H. Ljungman & Associates

### [56] **References Cited** U.S. PATENT DOCUMENTS

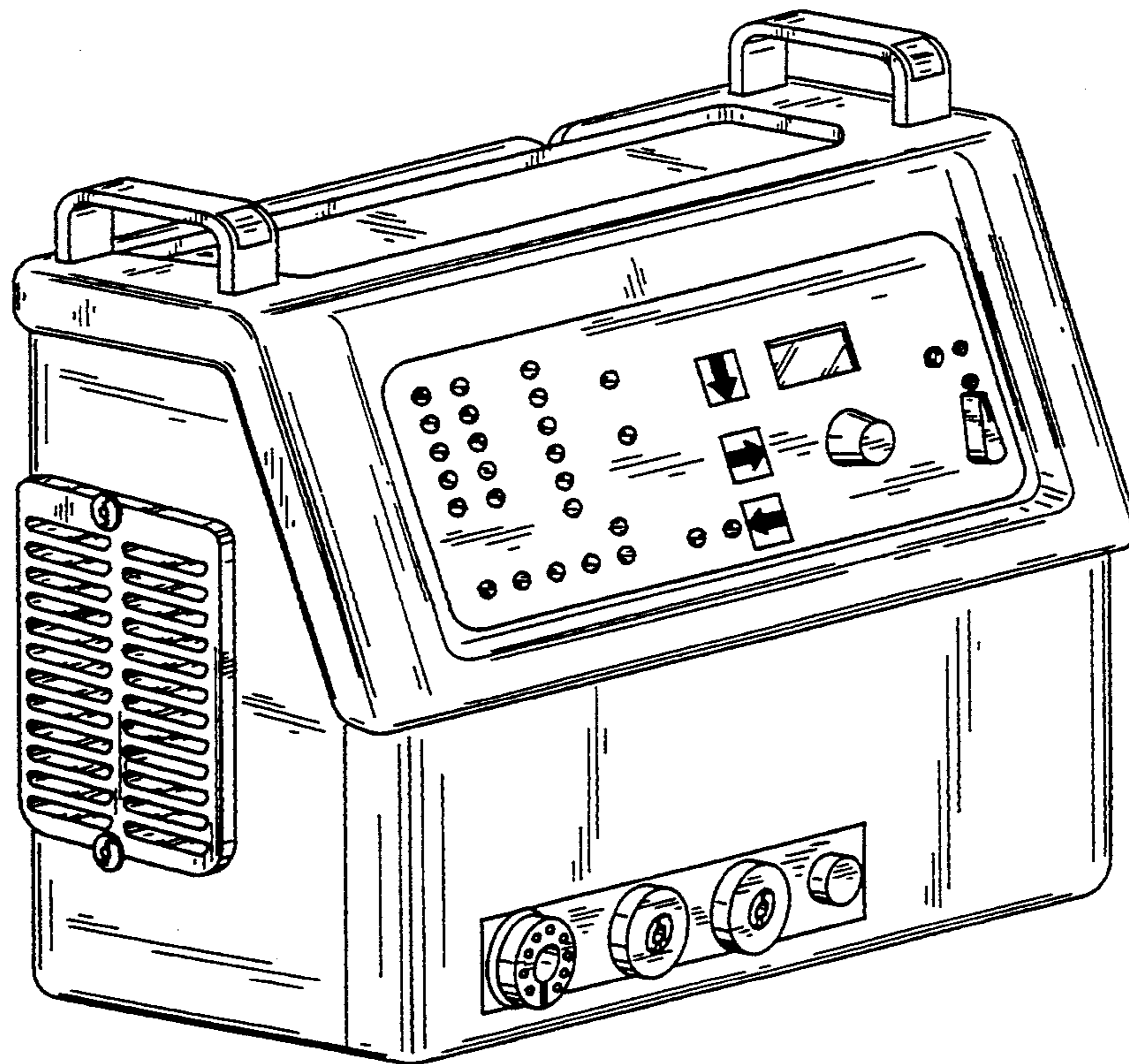
D. 210,208 2/1968 Frelin ..... D15/144 X  
D. 214,564 7/1969 Davis ..... D15/144  
D. 243,459 2/1977 Bliss ..... D15/144  
D. 270,838 10/1983 Koturov ..... D15/144  
D. 274,819 7/1984 Bouman ..... D15/144  
D. 274,882 7/1984 Rittmann ..... D15/144  
D. 274,914 7/1984 Bouman ..... D15/144  
D. 277,636 2/1985 Rittmann ..... D15/144  
D. 289,995 5/1987 Armiger ..... D15/144

### [57] **CLAIM**

The ornamental design for a welding apparatus, as shown.

### DESCRIPTION

FIG. 1 is a front elevational view of the welding apparatus;  
FIG. 2 is a rear elevational view of the welding apparatus;  
FIG. 3 is a right side view of the welding apparatus;  
FIG. 4 is a left side view of the welding apparatus;  
FIG. 5 is a top view of the welding apparatus;  
FIG. 6 is a bottom view of the welding apparatus;  
FIG. 7 is a front elevational view of the welding apparatus;  
FIG. 8 is a rear elevational view of the welding apparatus;  
FIG. 9 is a right side view of the welding apparatus;  
FIG. 10 is a left side view of the welding apparatus;  
FIG. 11 is a top view of the welding apparatus; and,  
FIG. 12 is a bottom view of the welding apparatus.



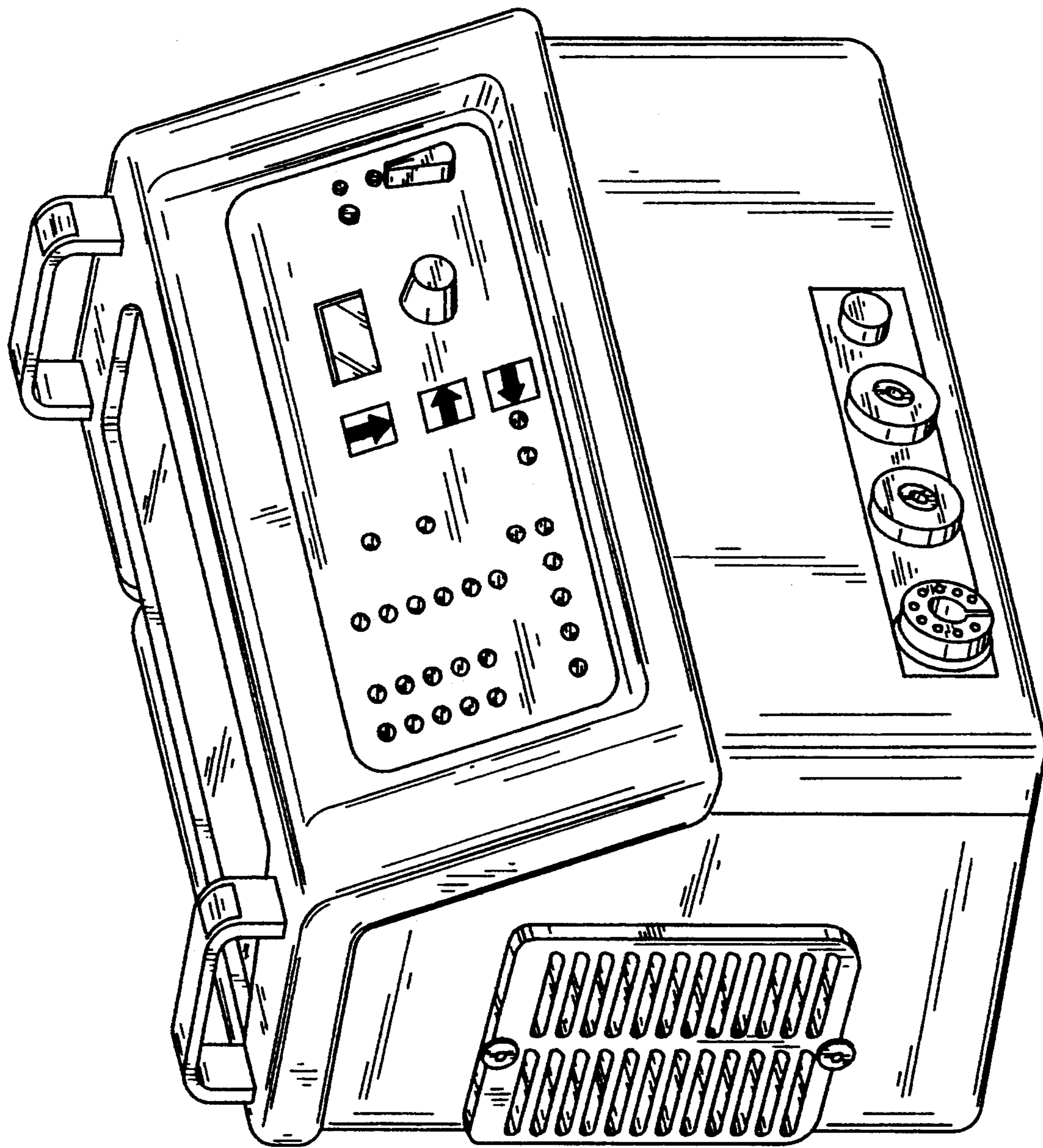


FIG. 1

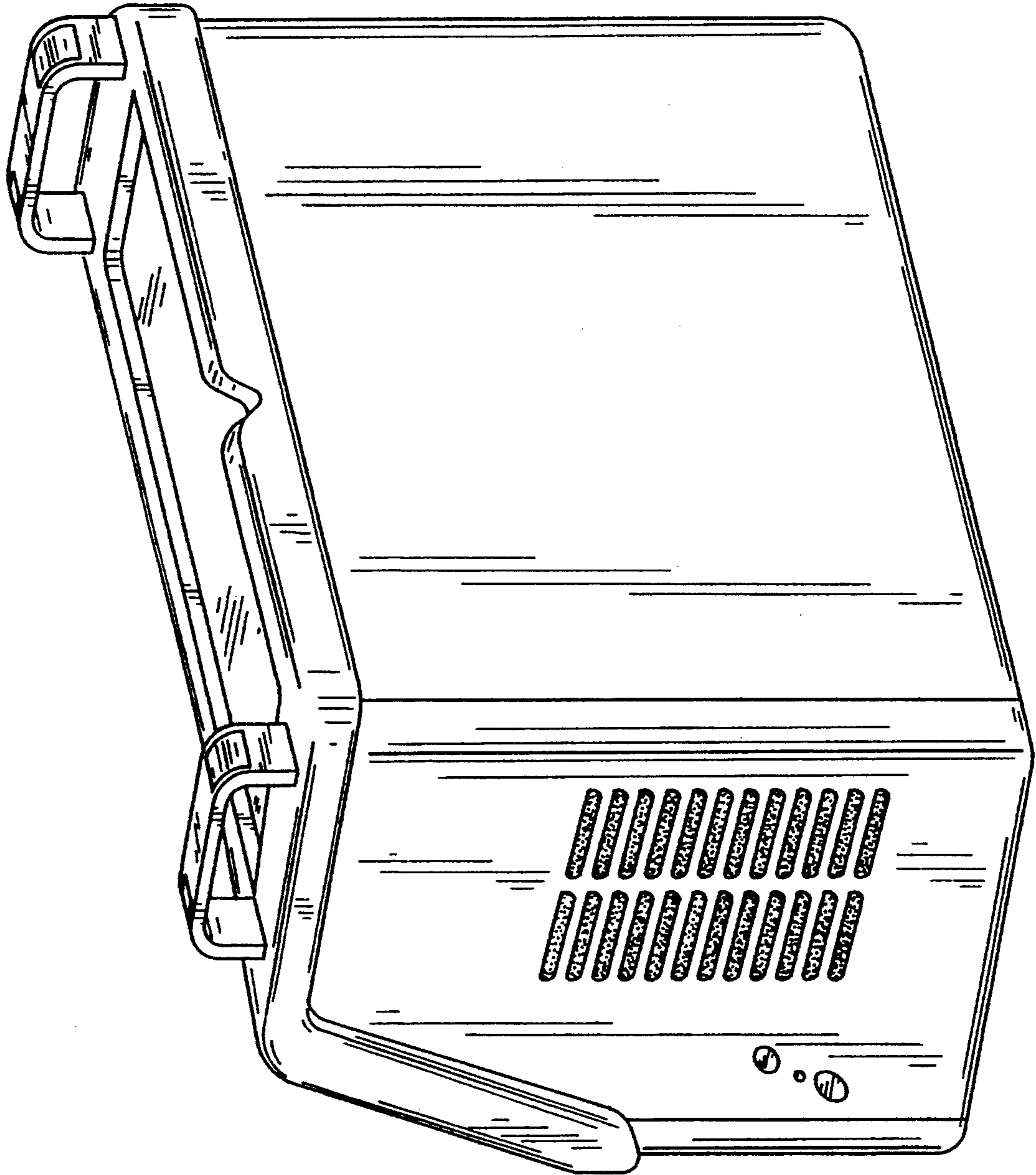


FIG. 2

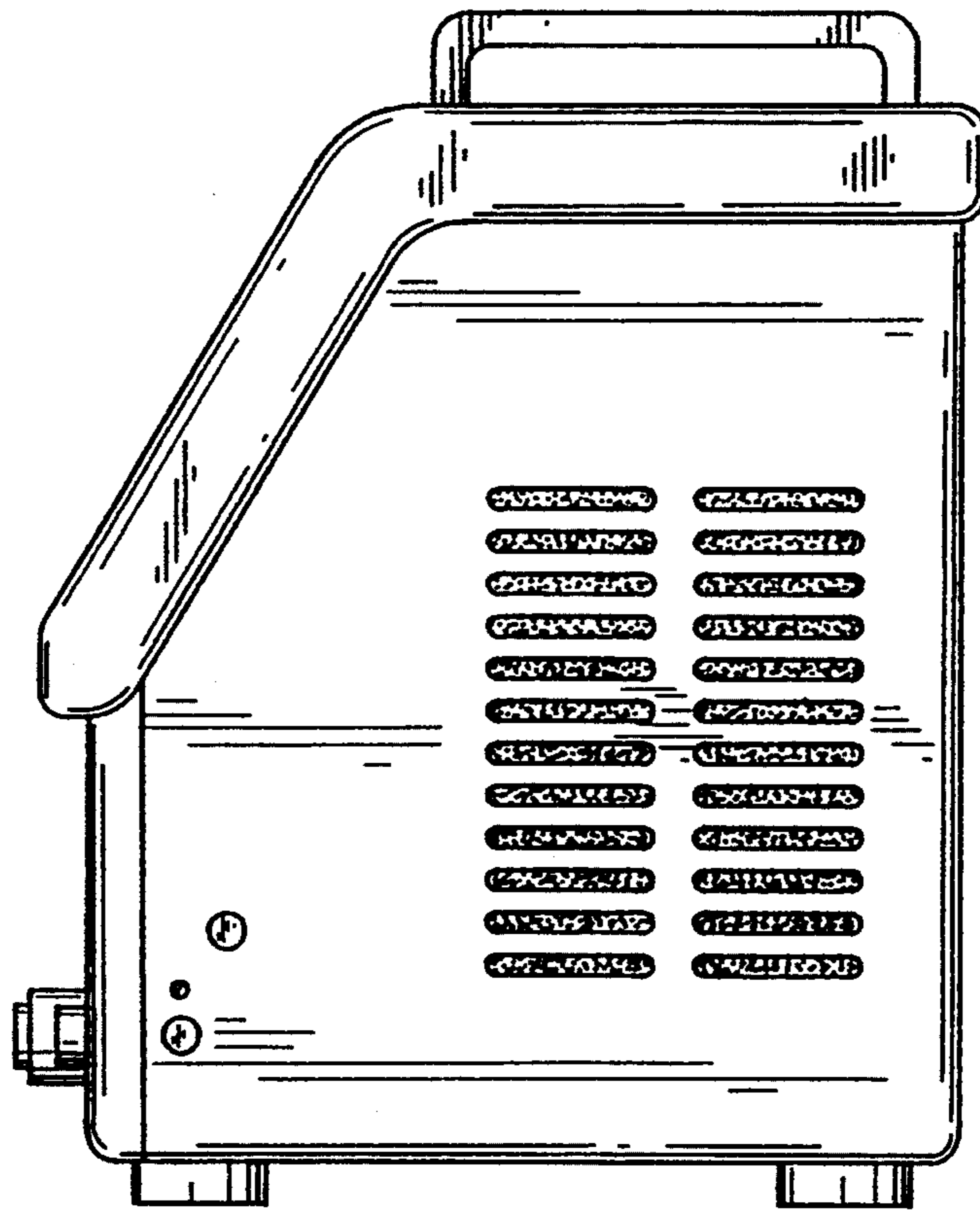


FIG. 3

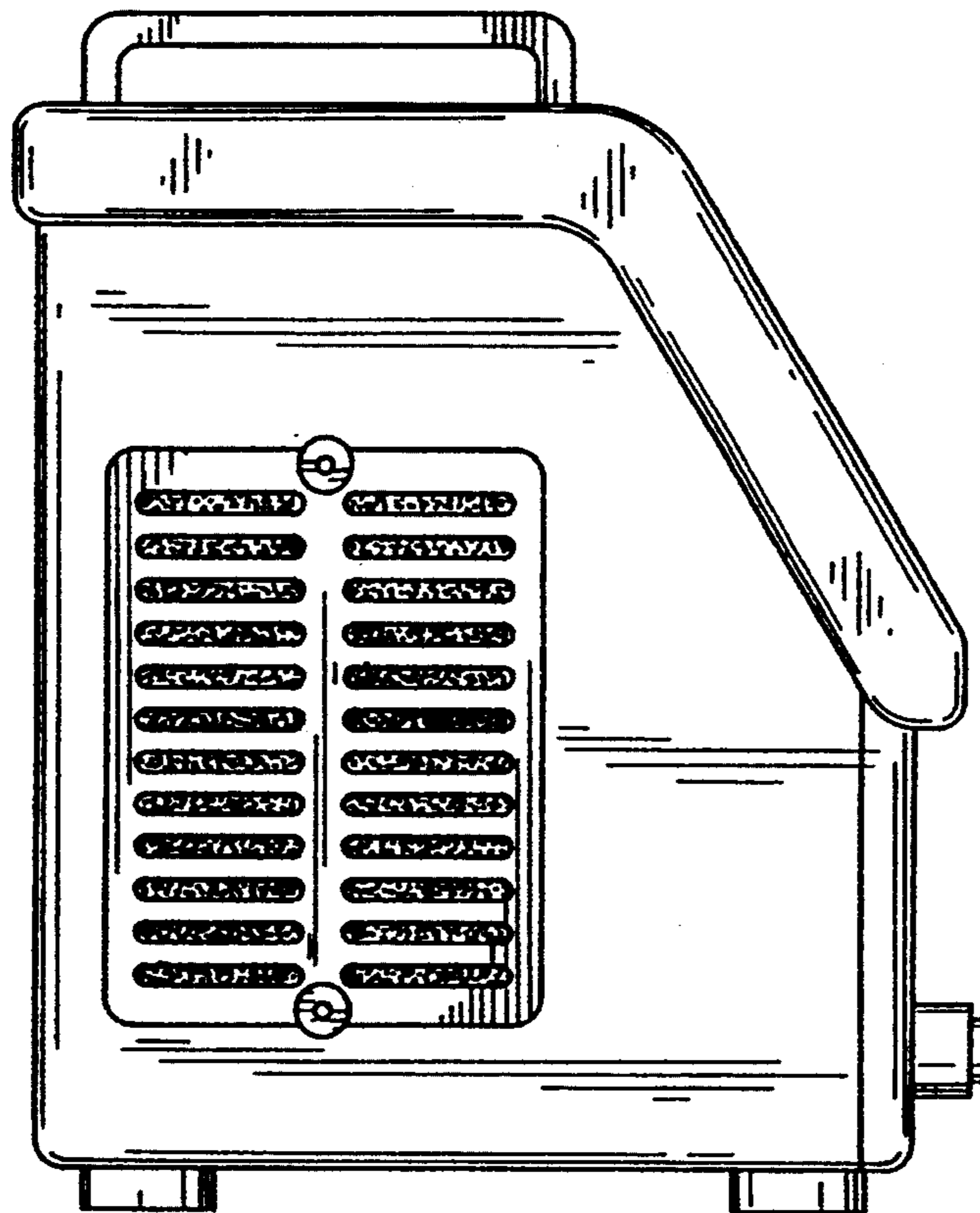


FIG. 4

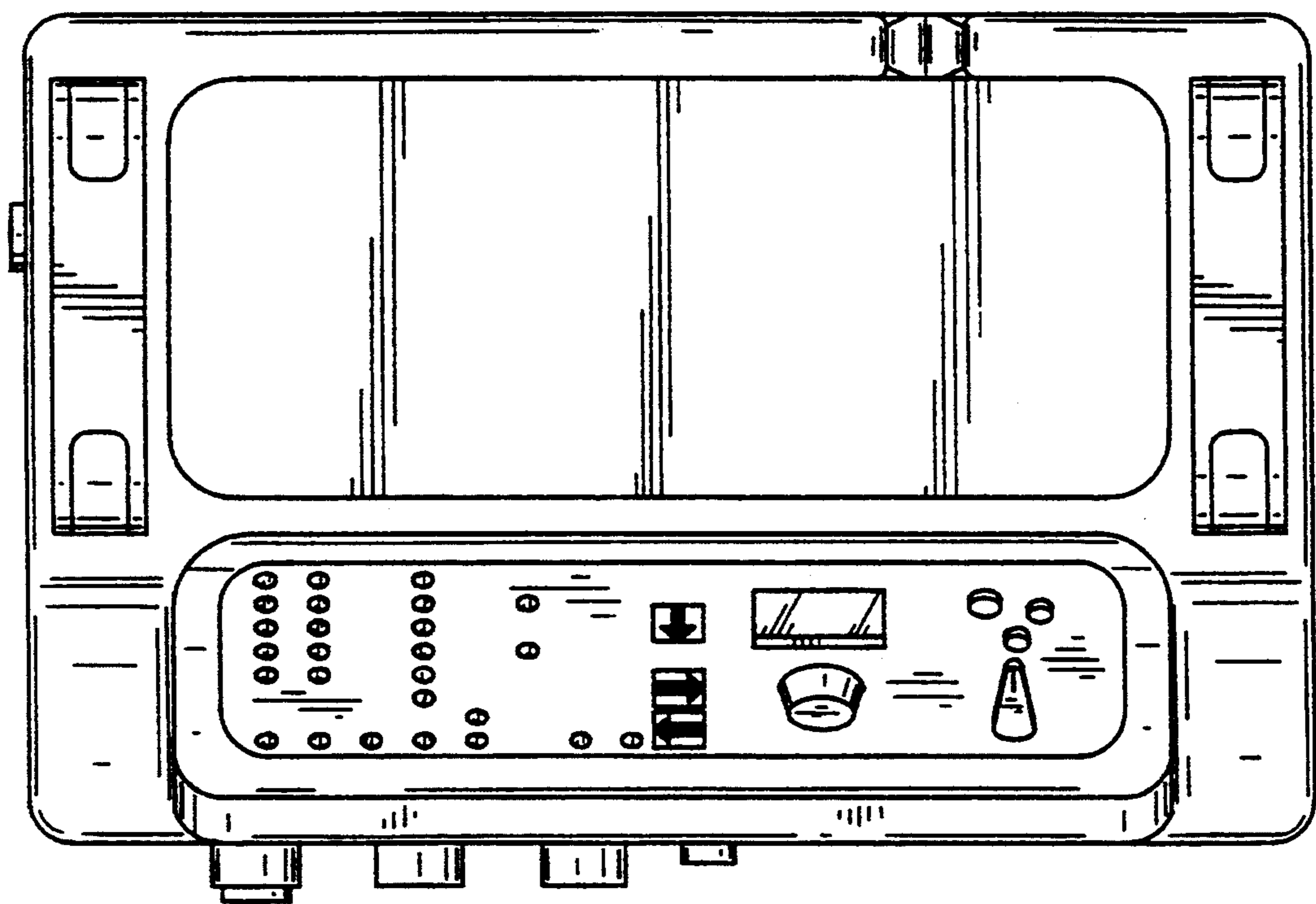


FIG. 5

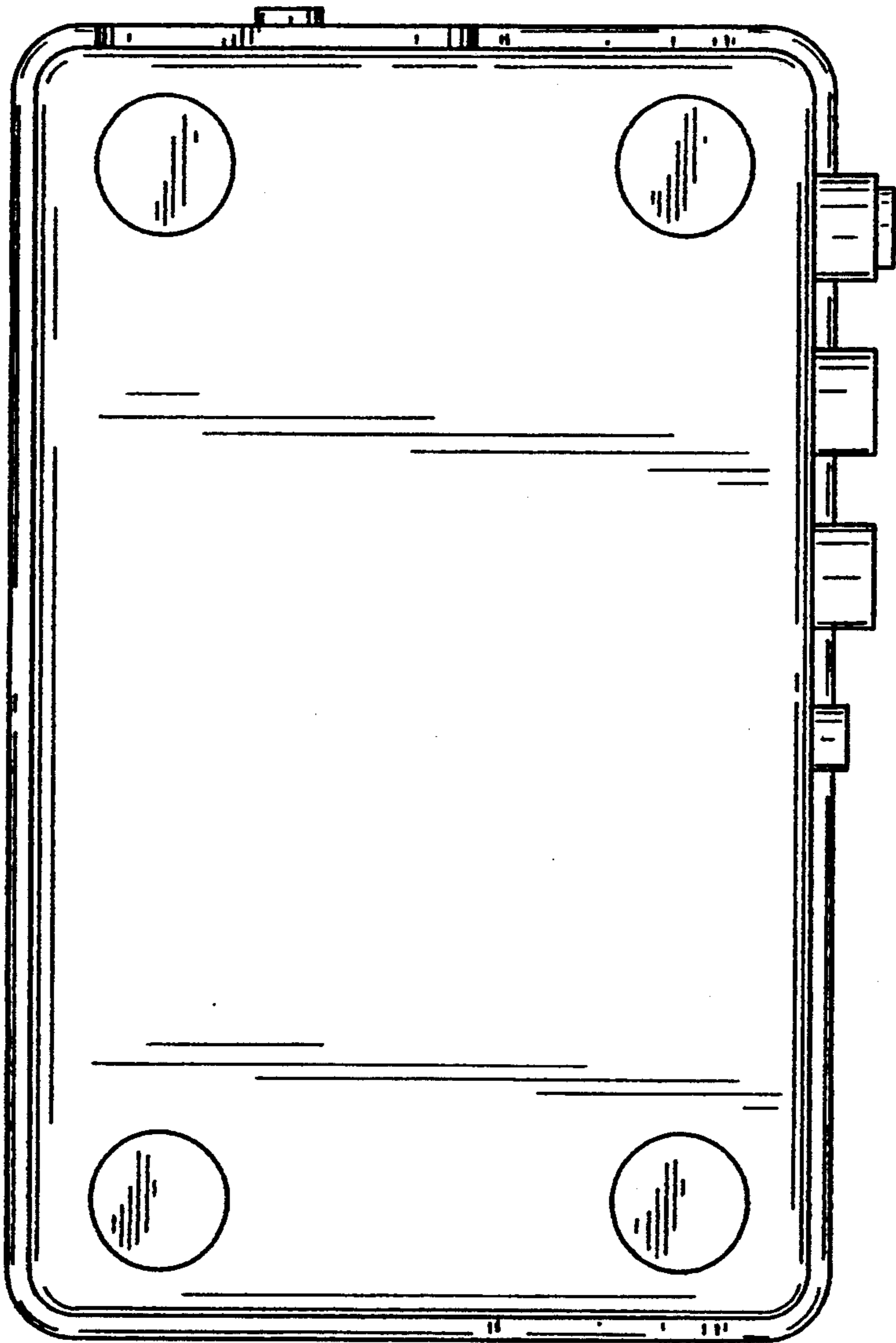


FIG. 6

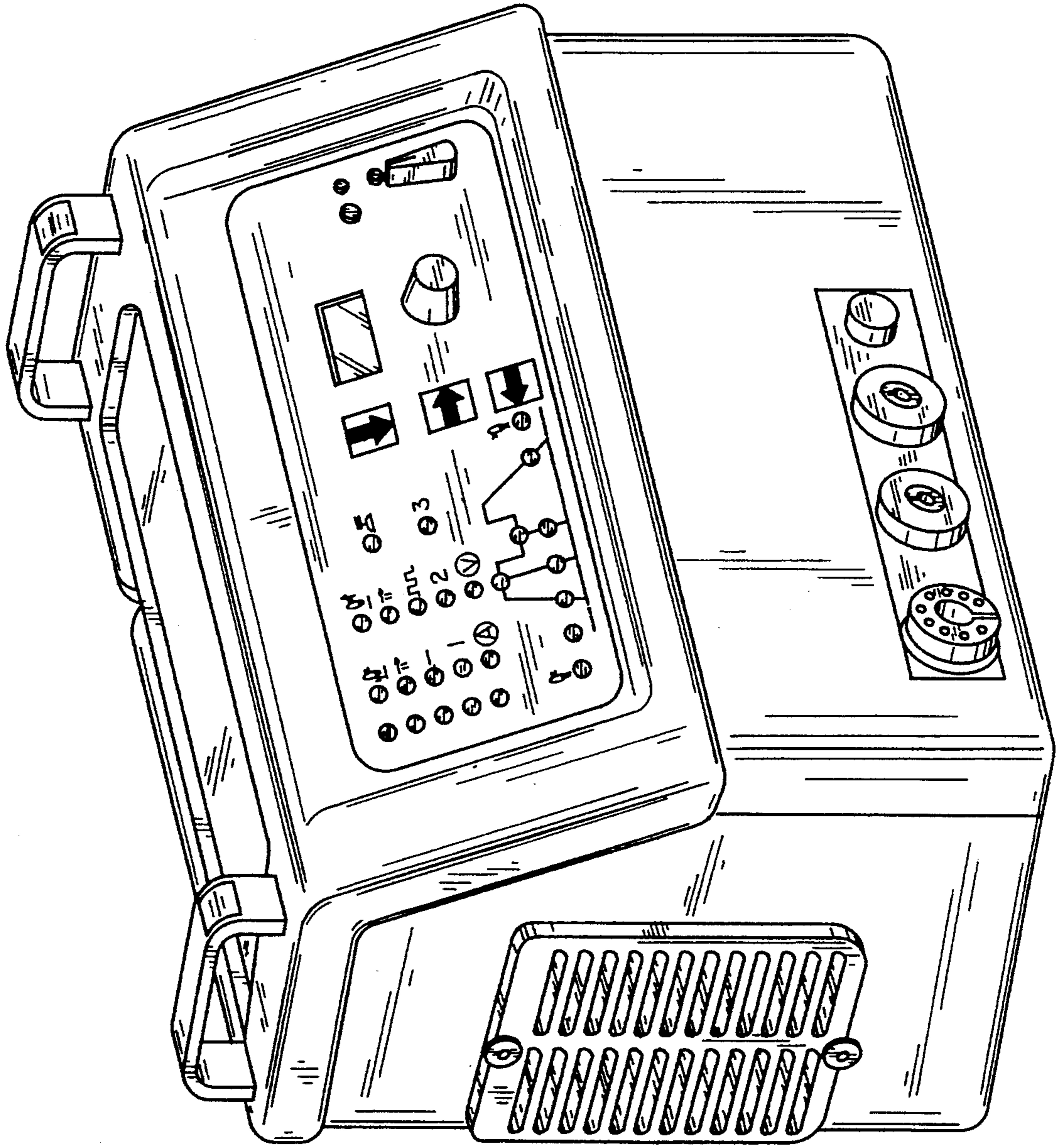


FIG. 7

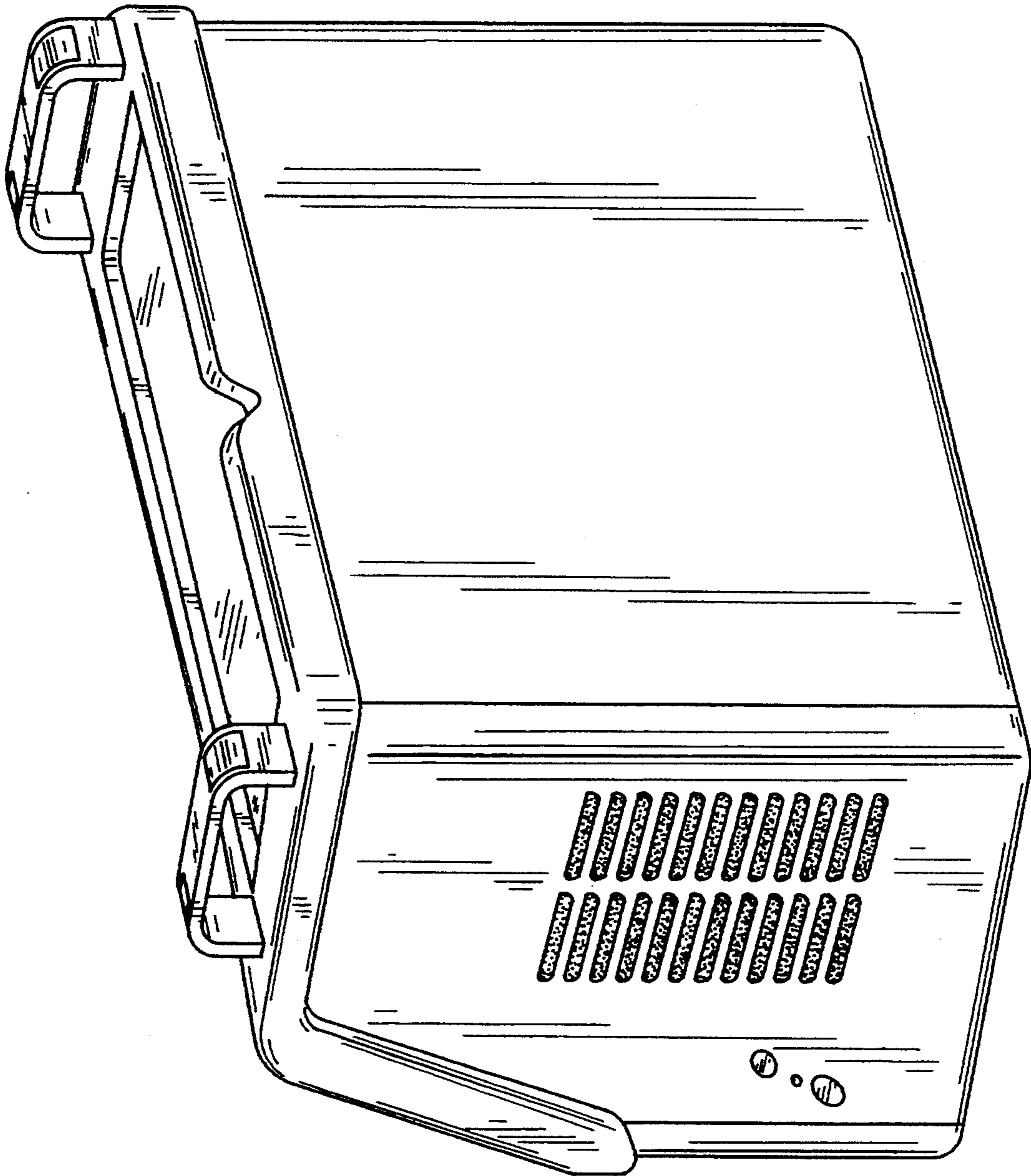


FIG. 8



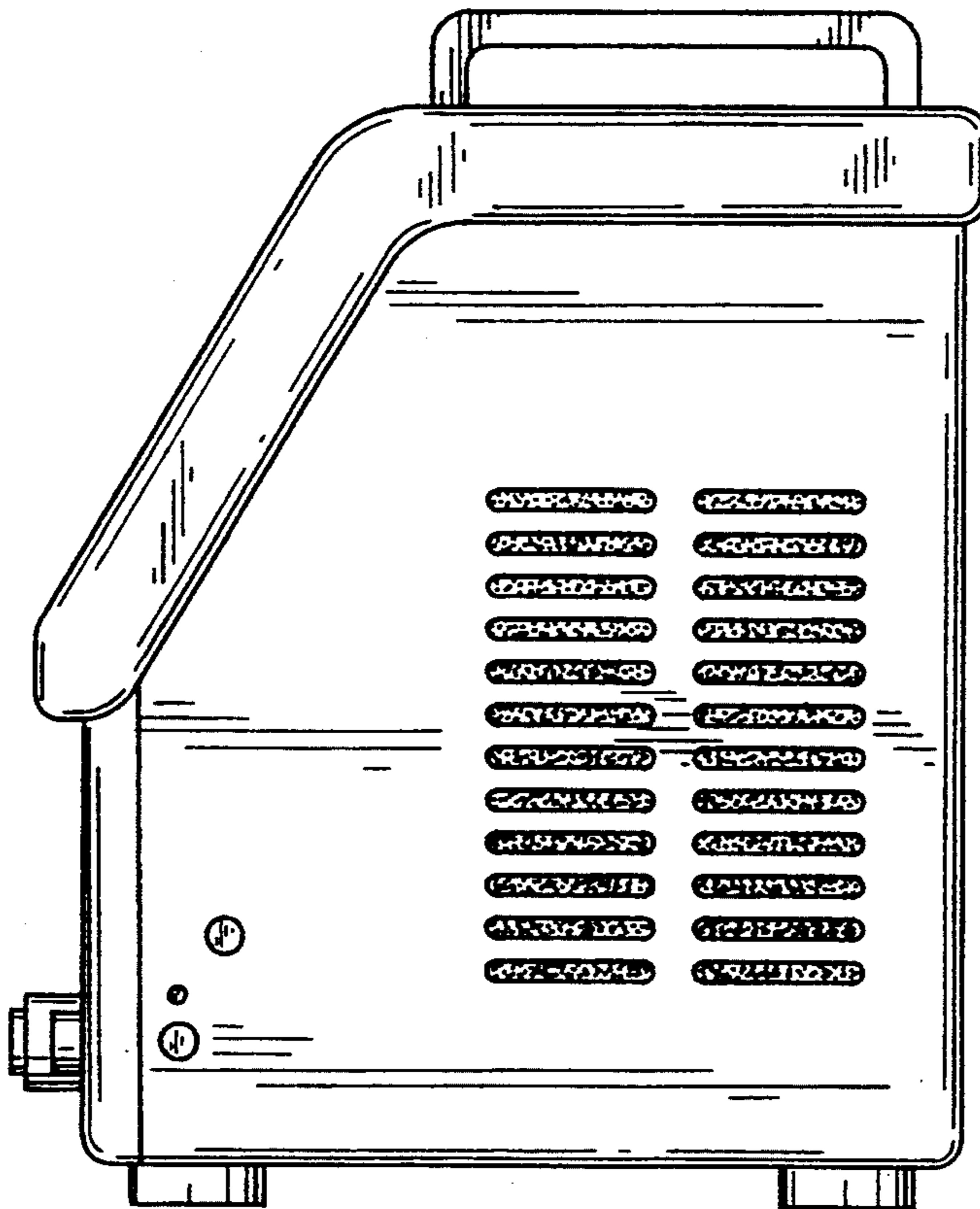


FIG. 9

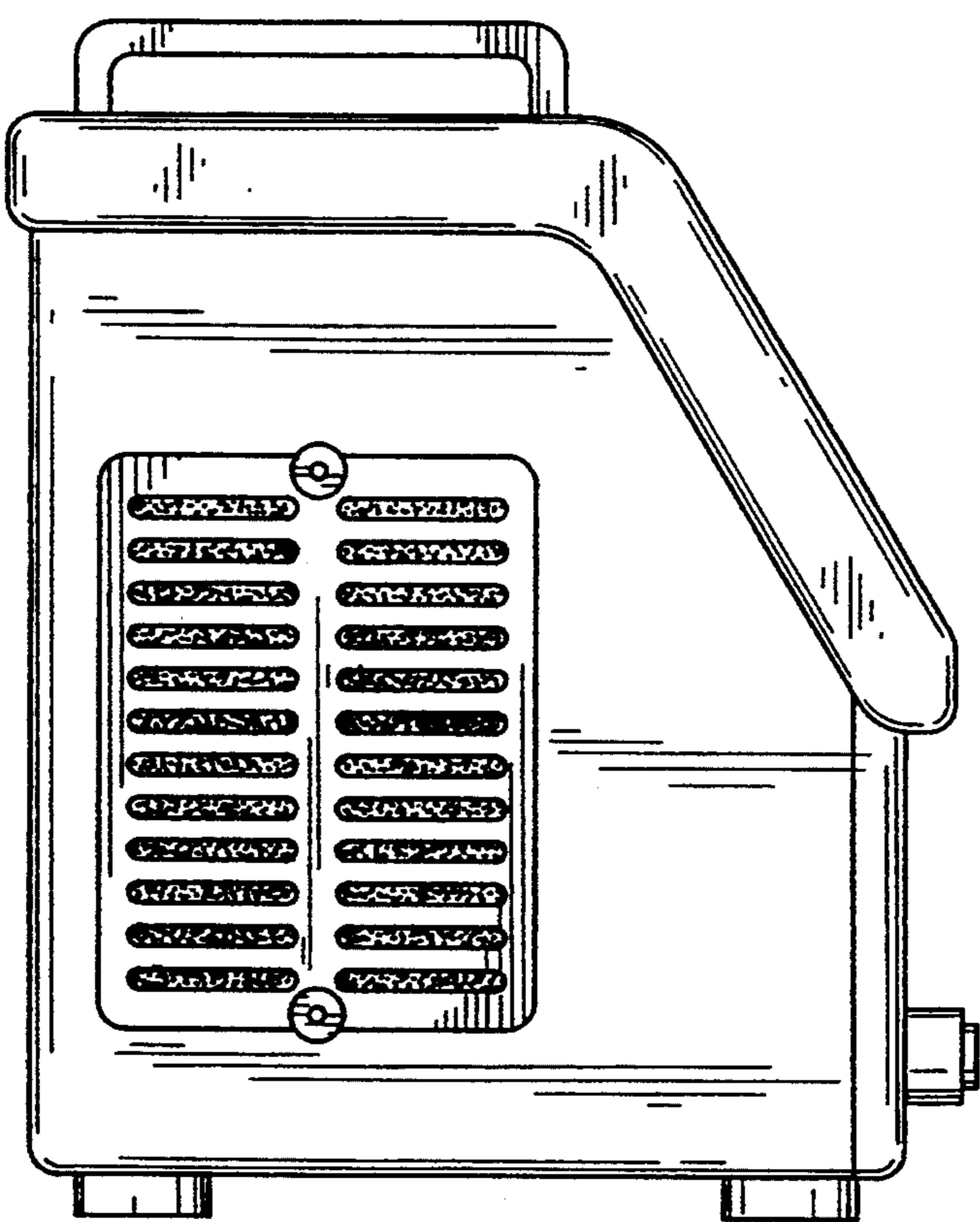


FIG. 10

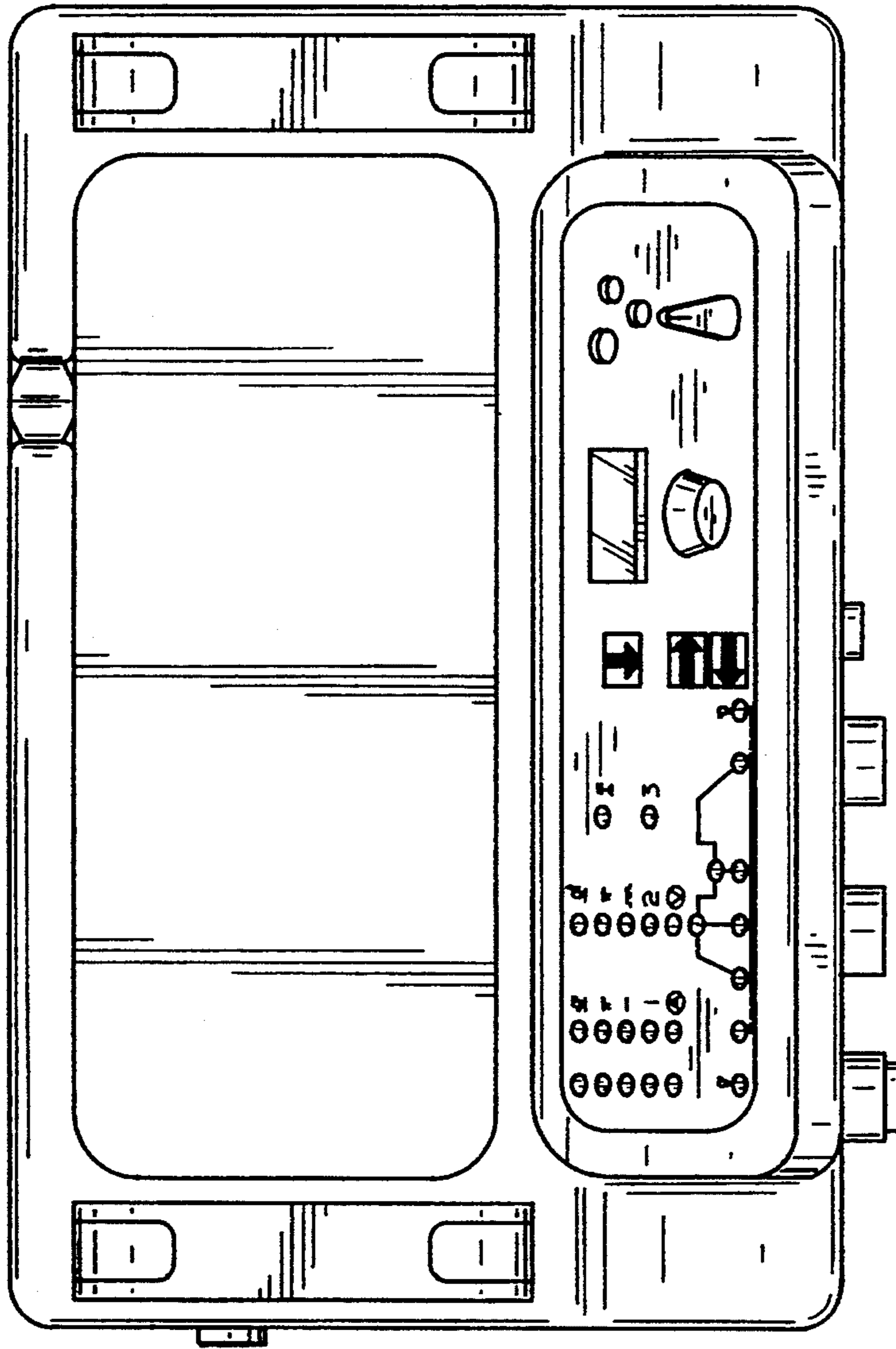


FIG. 11

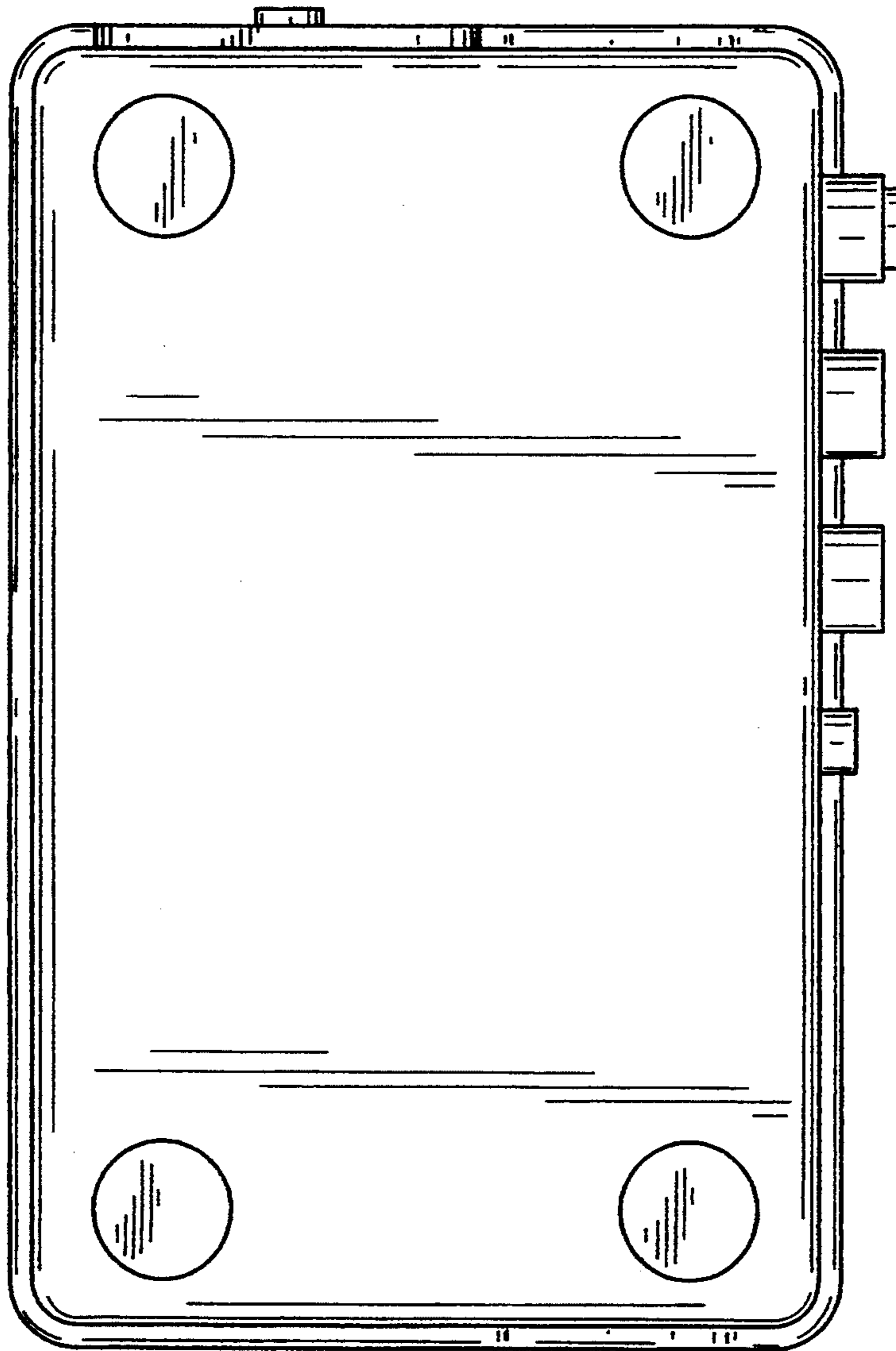


FIG. 12