



US00D357262S

United States Patent [19]

Porper

[11] Patent Number: Des. 357,262

[45] Date of Patent: ** Apr. 11, 1995

[54] BENCH LATHE

4,538,488 9/1985 Arvai 82/115 X
4,658,681 4/1987 Pollack et al. 82/115

[76] Inventor: Joseph Porper, 7741 Alabama Ave.
#11, Canoga Park, Calif. 91303

Primary Examiner—Antoine Duval Davis
Attorney, Agent, or Firm—Gilbert Kivenson

[**] Term: 14 Years

[57] CLAIM

[21] Appl. No.: 23,080

The ornamental design for a bench lathe, as shown.

[22] Filed: May 17, 1994

DESCRIPTION

[52] U.S. Cl. D15/130

[58] Field of Search D15/130; 82/112, 113,
82/114, 115, 116, 117, 118, 120, 121, 128, 132,
142, 143, 149, 162, 903; 144/16, 114

FIG. 1 is a perspective view of a bench lathe showing the design;

FIG. 2 is a side view thereof;

FIG. 3 is a left end view thereof;

FIG. 4 is a right end view thereof;

FIG. 5 is a top plan view thereof;

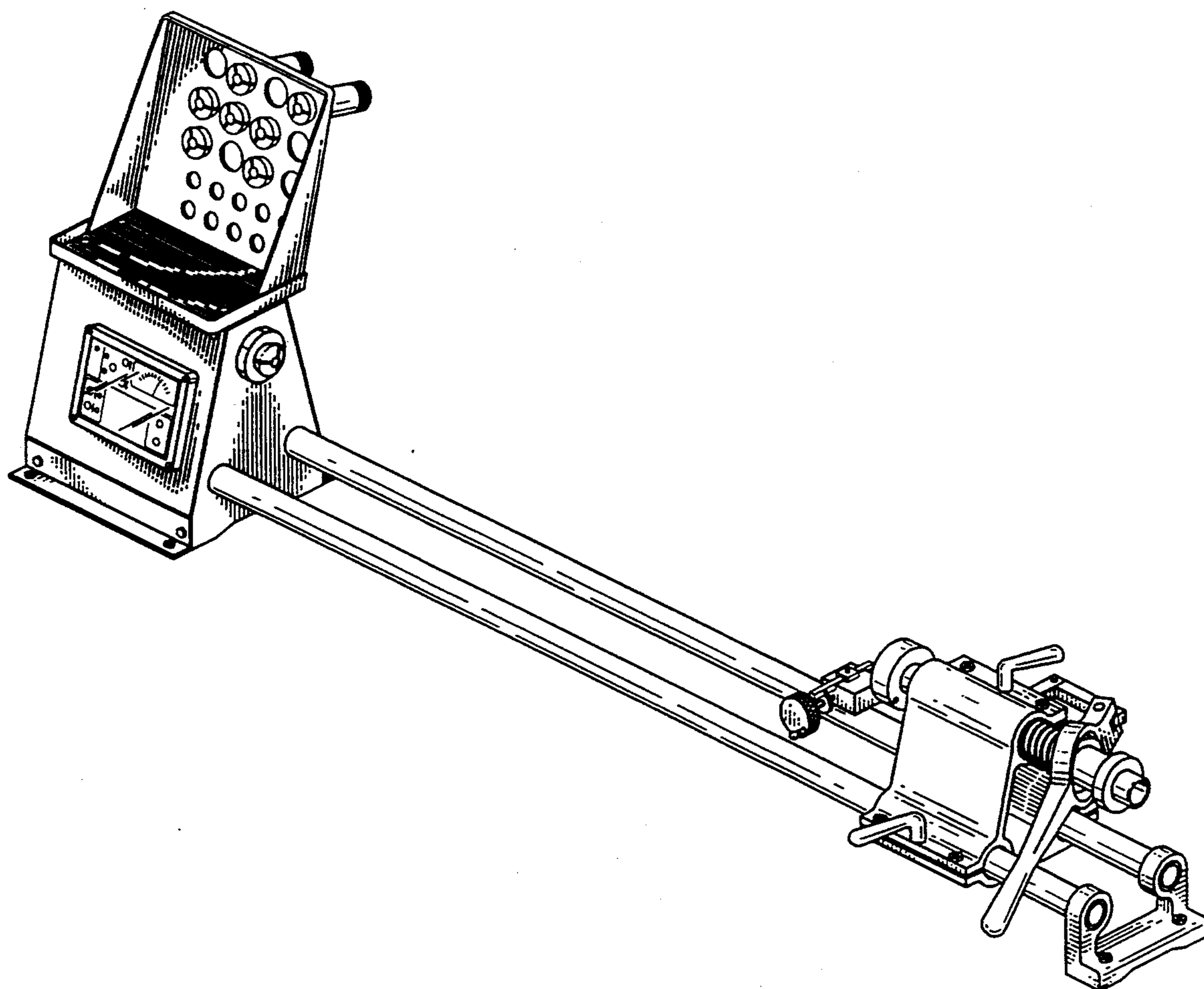
FIG. 6 is a bottom view thereof; and,

FIG. 7 is a rear side view thereof.

[56] References Cited

U.S. PATENT DOCUMENTS

D. 349,293 8/1994 Rhoton D15/130



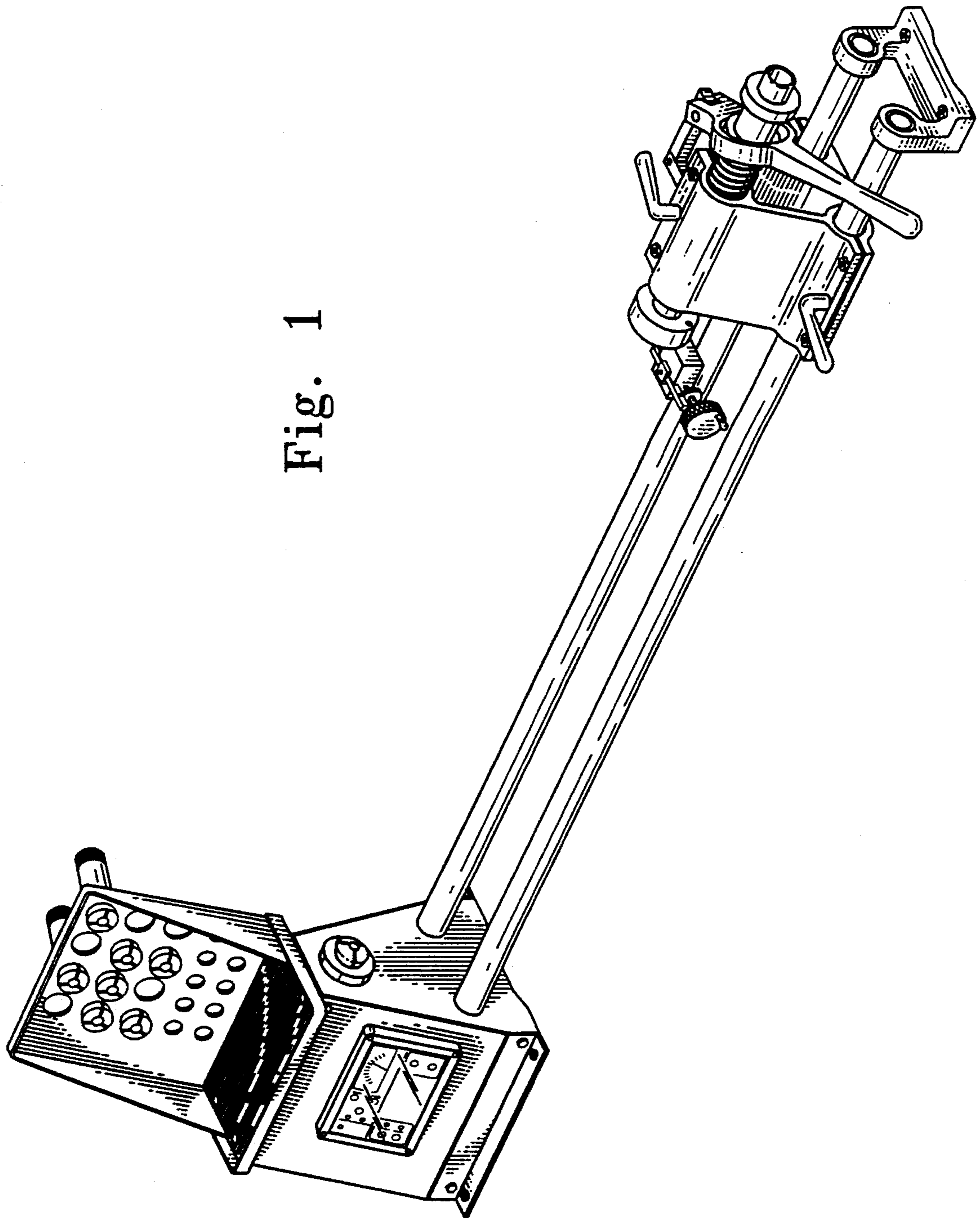


Fig. 1

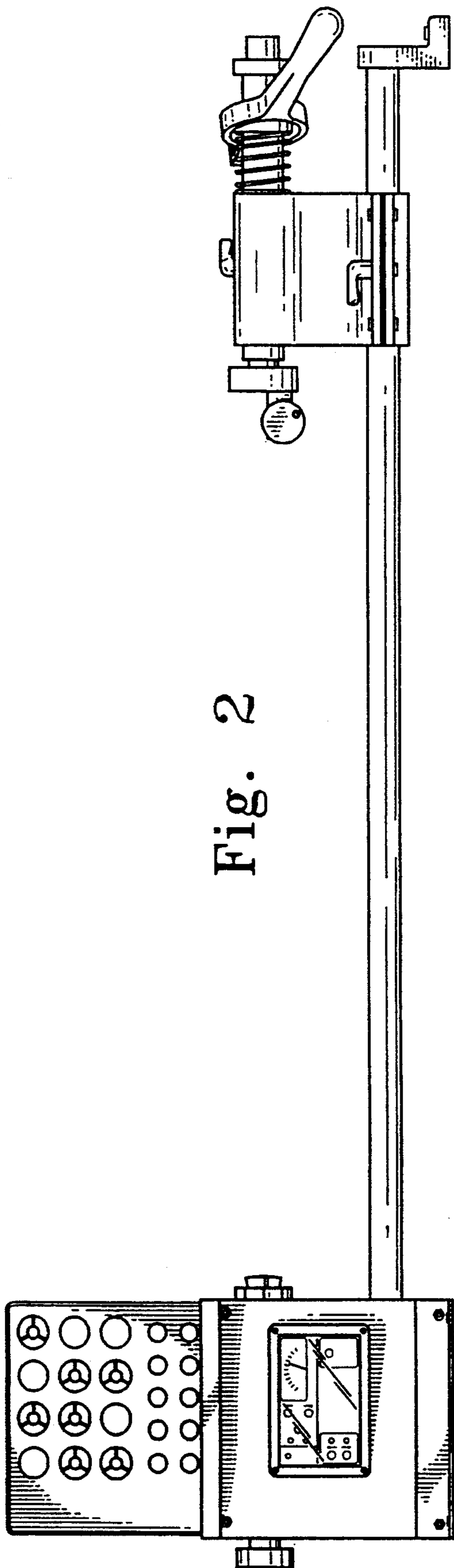


Fig. 2

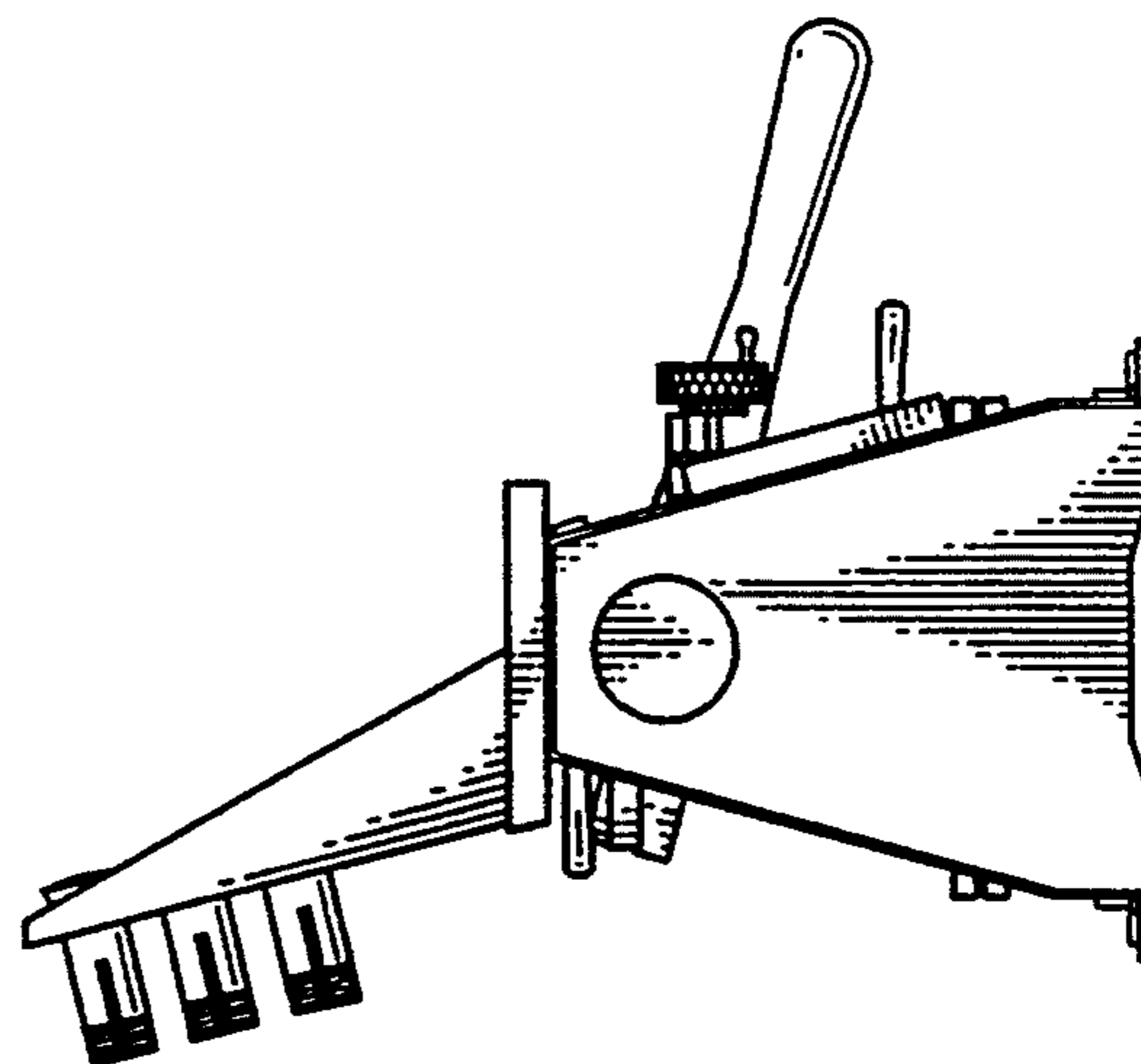


Fig. 3

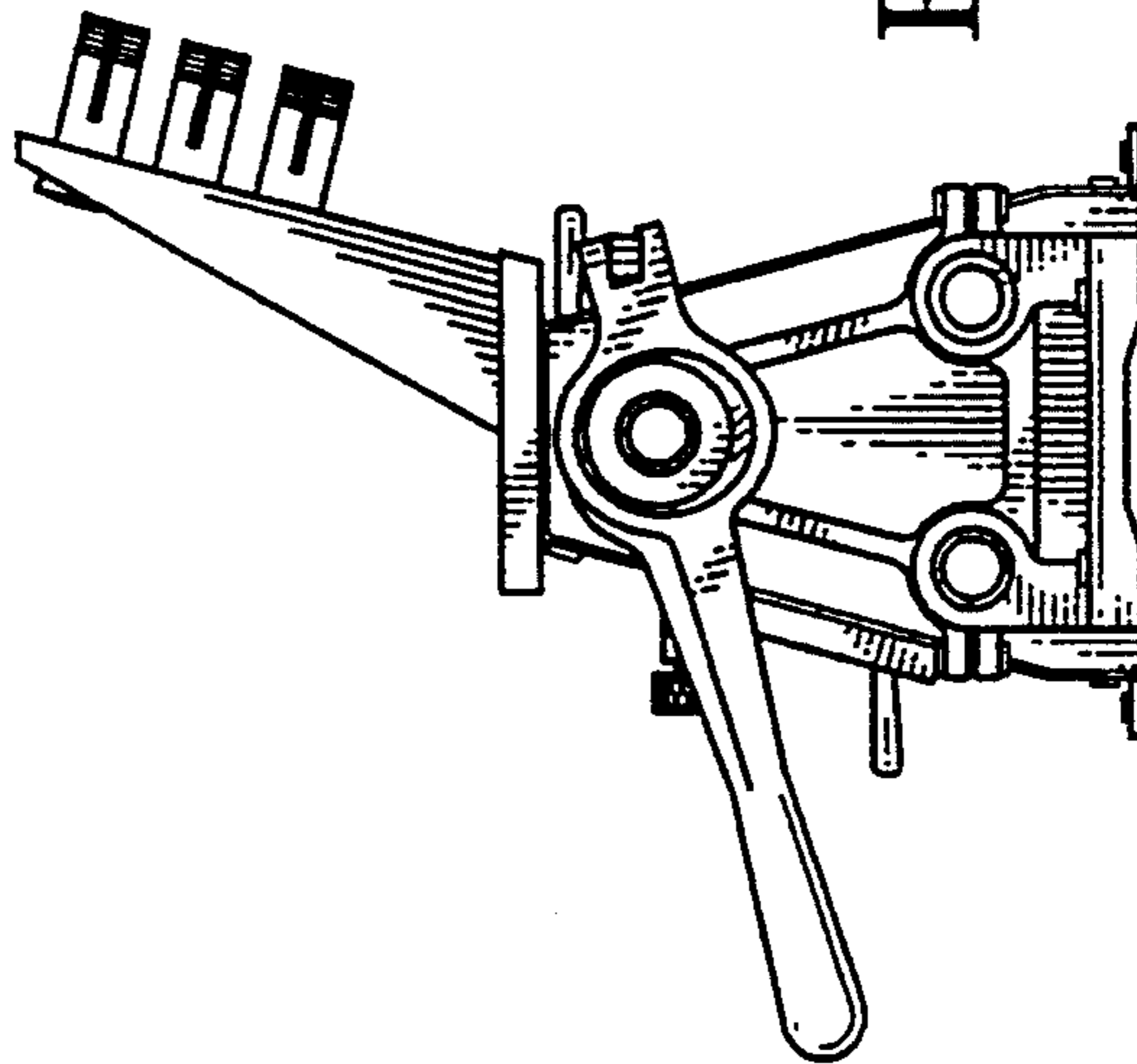


Fig. 4

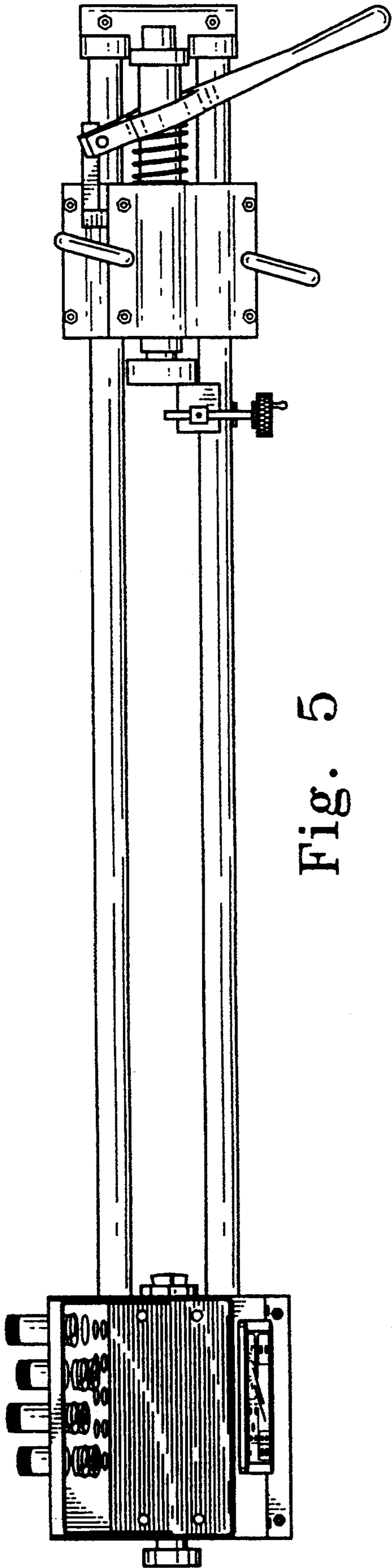


Fig. 5

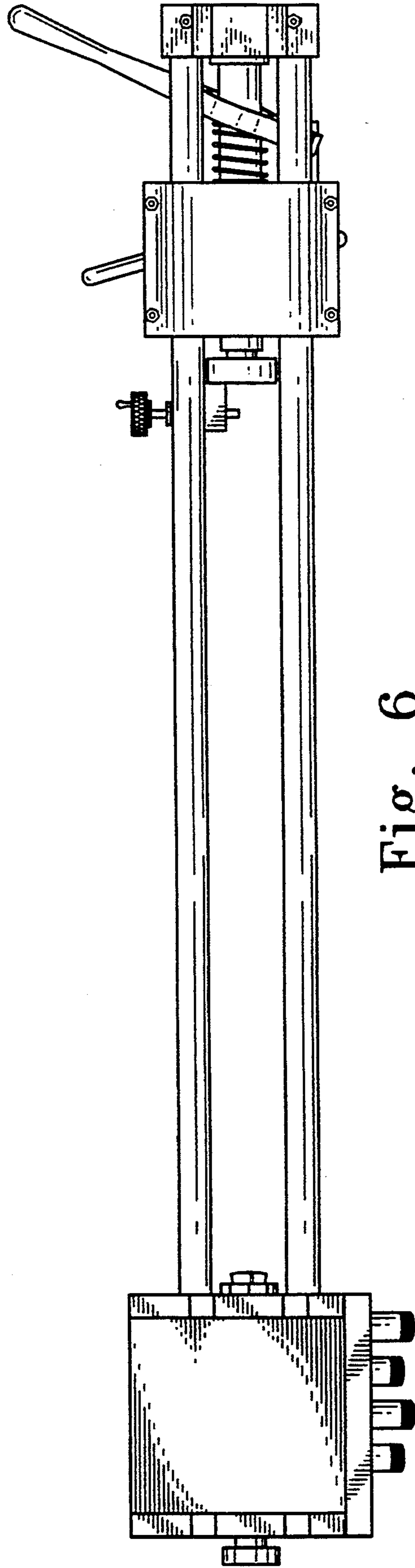


Fig. 6

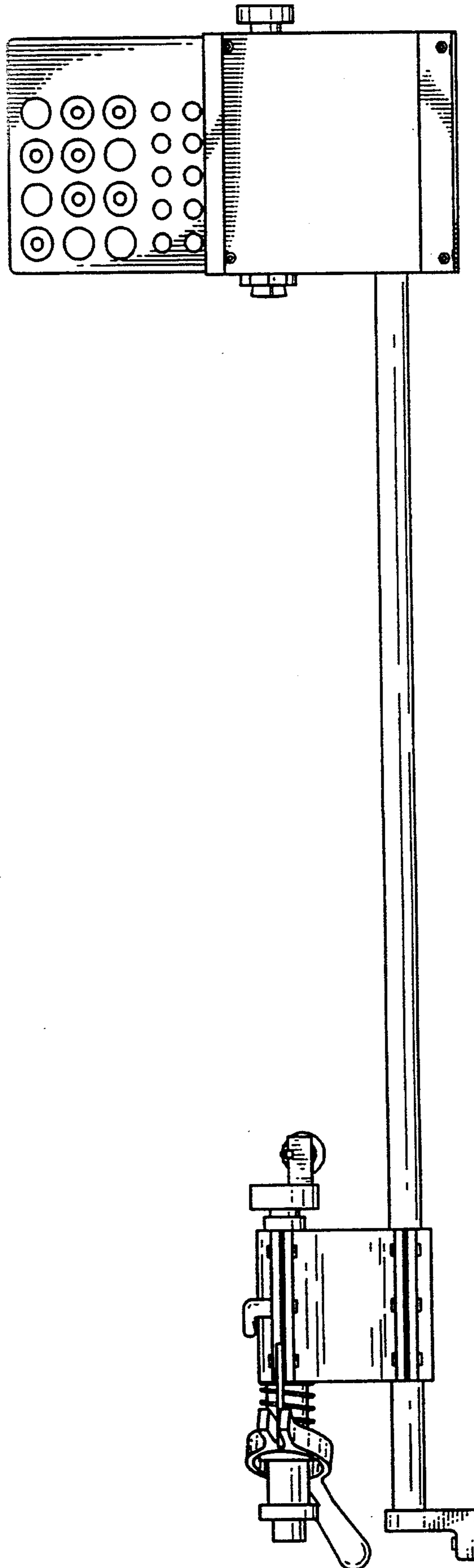


Fig. 7