



US00D357261S

# United States Patent [19]

[11] Patent Number: **Des. 357,261**

**Morgan**

[45] Date of Patent: **\*\* Apr. 11, 1995**

[54] **FLORESCENT BULB DISPOSAL**

5,165,610 11/1992 Pendleton .

[76] Inventor: **Clinton D. Morgan**, P.O. Box 272,  
Hartwick, N.Y. 13348

5,186,403 2/1993 Jones et al. .

5,205,497 4/1993 Deklerow ..... 241/99 X

5,261,538 11/1993 Evans et al. .... 209/523 X

[\*\*] Term: **14 Years**

*Primary Examiner*—Alan P. Douglas

*Assistant Examiner*—Antoine D. Davis

[21] Appl. No.: **16,964**

[57] **CLAIM**

[22] Filed: **Dec. 30, 1993**

The ornamental design for a florescent bulb disposal, as shown and described.

[52] U.S. Cl. .... **D15/123**

[58] Field of Search ..... D15/122, 123; 100/902;  
209/522, 523, 524, 525, 526, 527, 528, 529, 930;  
241/19, 79, 99, 100, 101.8, DIG. 38

### DESCRIPTION

[56] **References Cited**

#### U.S. PATENT DOCUMENTS

3,083,919	4/1963	Farner .....	241/99
3,667,693	6/1972	Leeds et al. ....	241/99
3,683,733	8/1972	Johan et al. ....	241/99 X
3,756,520	9/1973	Hughes .	
3,814,337	6/1974	Vander Jagt .....	241/99
3,913,849	10/1975	Atanasoff et al. .	
5,092,527	3/1992	Perry et al. .	

FIG. 1 is a front elevational view of the florescent bulb disposal showing my new design;

FIG. 2 is a rear elevational view thereof;

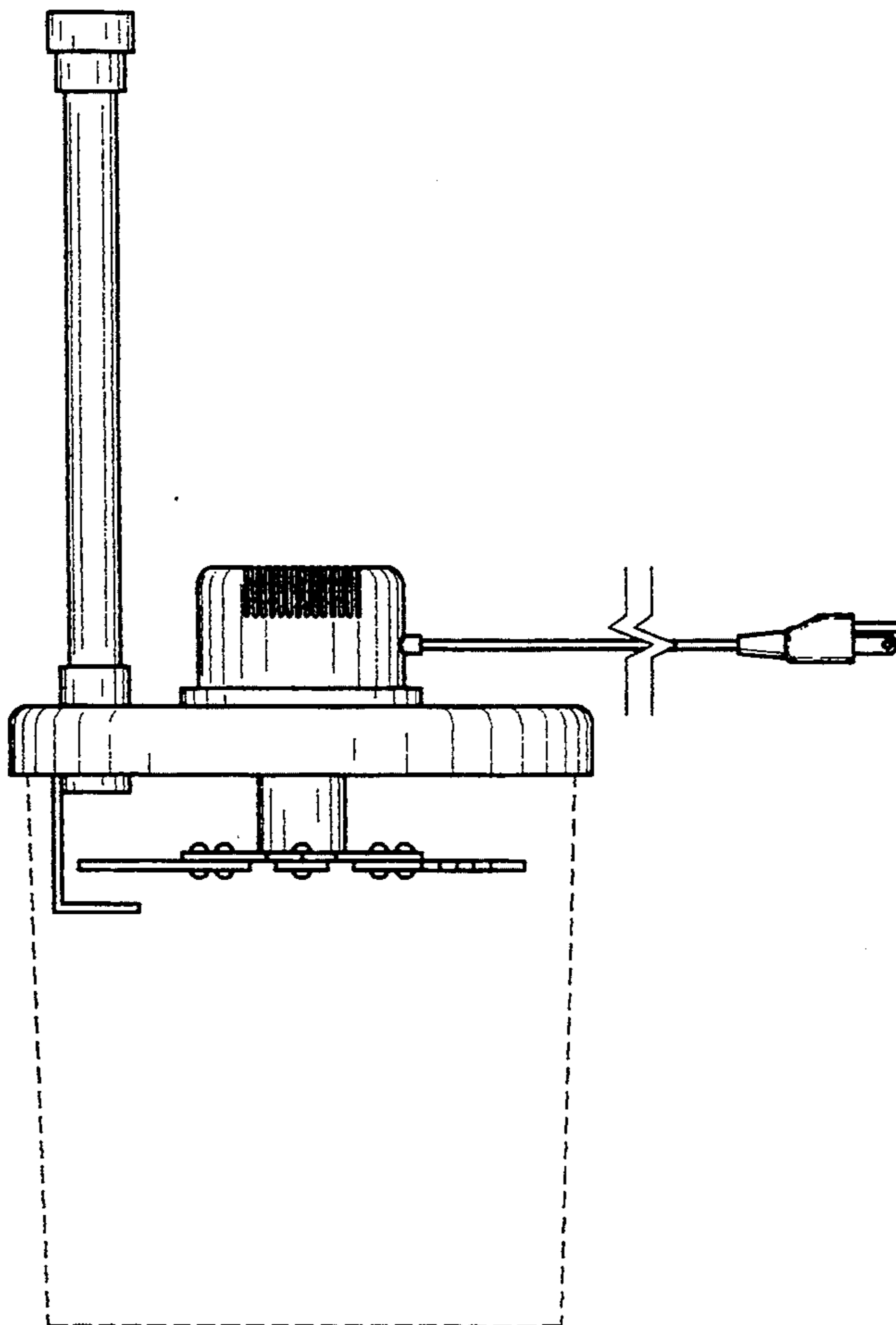
FIG. 3 is a left side elevational view thereof;

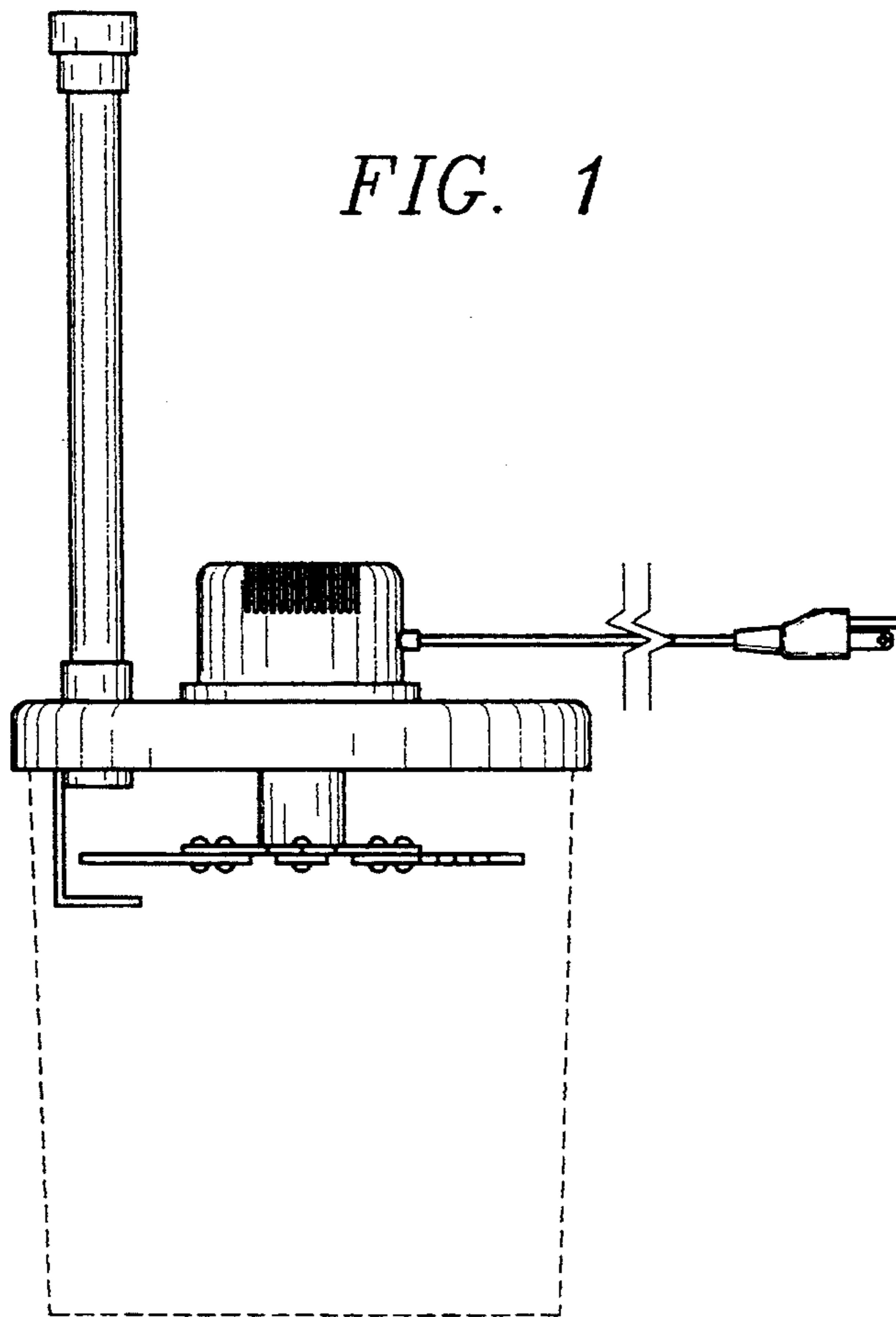
FIG. 4 is a right side elevational view thereof;

FIG. 5 is a top plan view thereof; and,

FIG. 6 is a bottom plan view thereof.

The broken line showing of container is for illustrative purposes only and forms no part of the claimed design. Portions of the cord have been omitted for ease of illustration in FIGS. 1, 2, 5 and 6.





*FIG. 2*

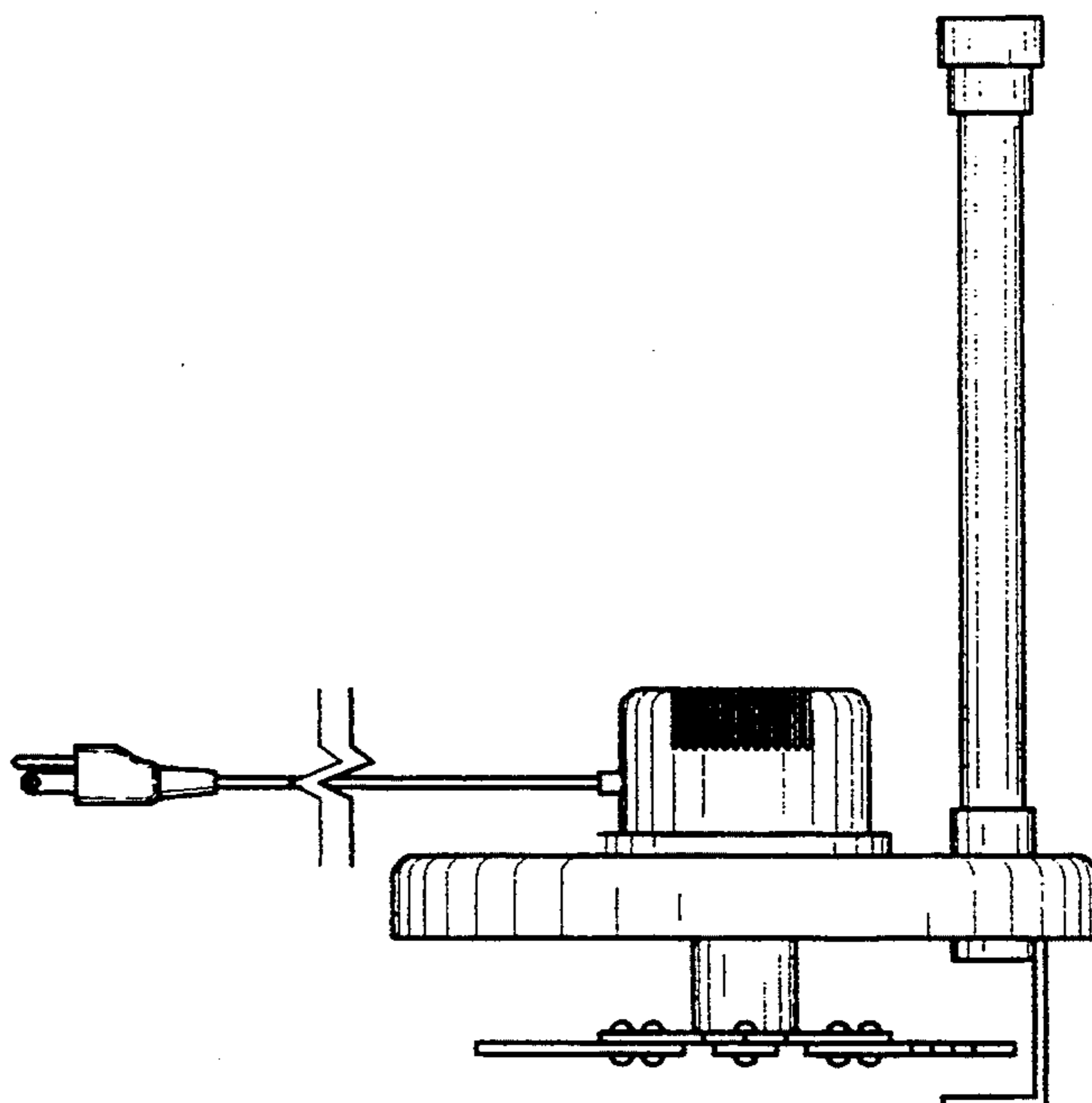


FIG. 3

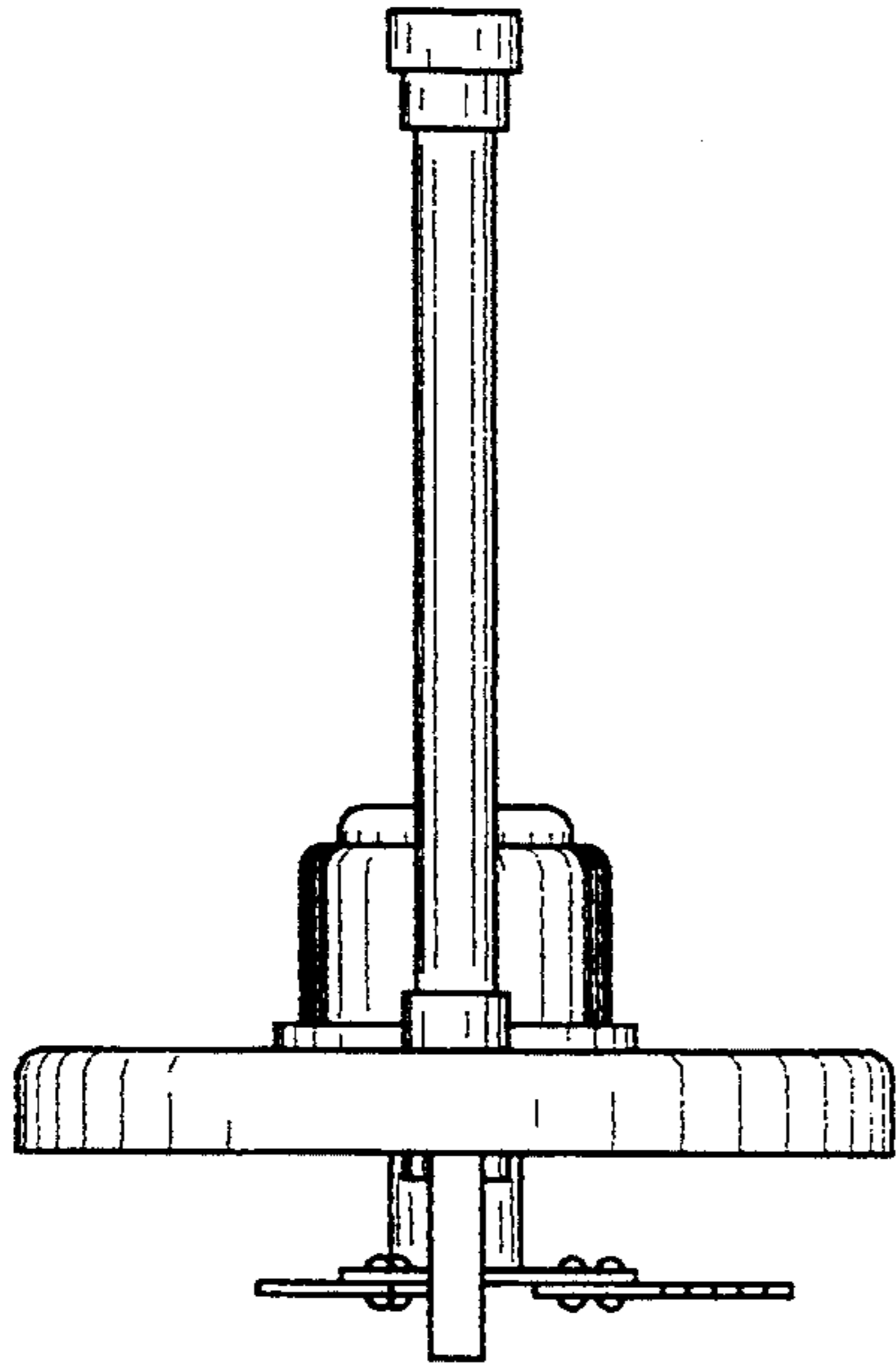


FIG. 4

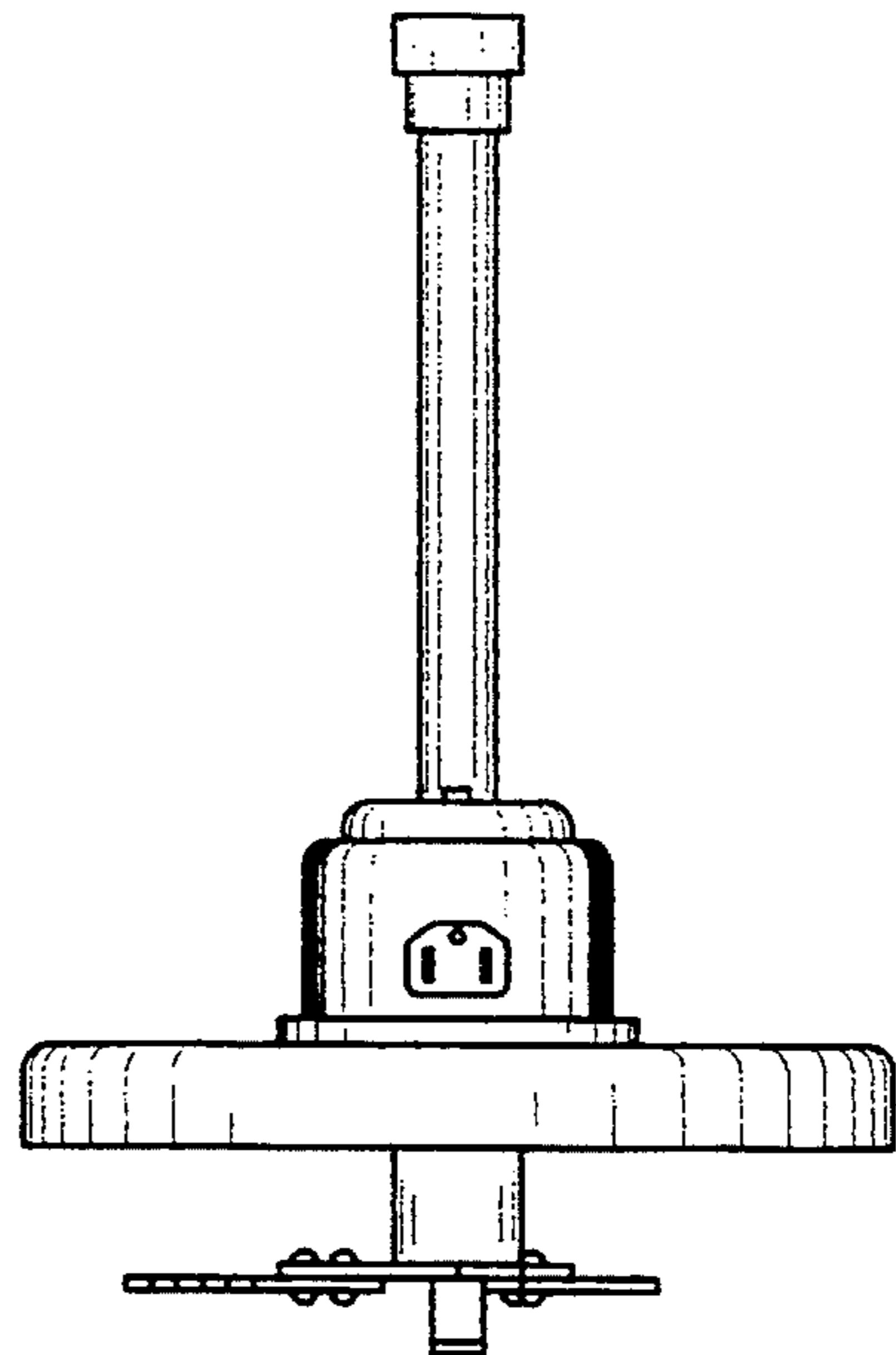


FIG. 5

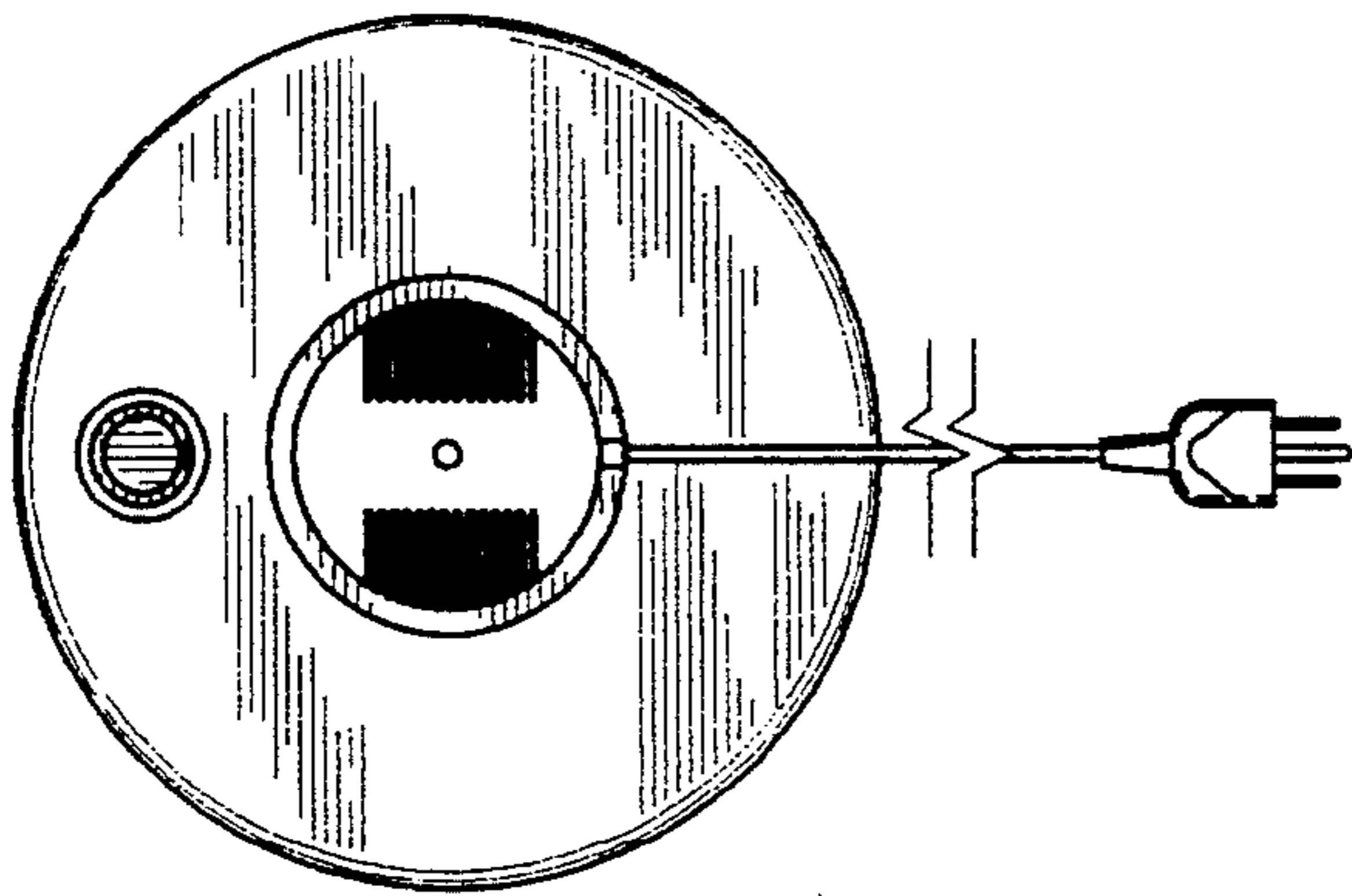


FIG. 6

