



US00D357260S

United States Patent [19]

[11] Patent Number: **Des. 357,260**

Kallén

[45] Date of Patent: **** Apr. 11, 1995**

[54] **TILTING BUCKET FOR MATERIAL HANDLING MACHINES**

[75] Inventor: **Karl-Gustav Kallén**, Löjtnantsvägen, Sweden

[73] Assignee: **VME Industries Sweden AB**, Eskilstuna, Sweden

[**] Term: **14 Years**

[21] Appl. No.: **2,857**

[22] Filed: **Dec. 22, 1992**

[30] **Foreign Application Priority Data**

Jun. 22, 1992 [SE] Sweden 92-1347

[52] U.S. Cl. **D15/32**

[58] Field of Search D15/10, 22-26, D15/28, 29, 31; 37/381, 407, 411, 442, 444-446; 414/722

[56] **References Cited**

U.S. PATENT DOCUMENTS

D. 312,261 11/1990 Burke D15/32
3,014,293 12/1961 Boatman et al. 37/446

3,897,641 8/1975 Moser 37/444
3,921,837 11/1975 Vandewater 37/405
4,395,193 7/1983 Christensen et al. 37/444
4,523,397 6/1985 Lucas 414/722
4,633,601 1/1987 Fleck et al. 414/722
4,859,130 8/1989 Langenfeld et al. 414/722

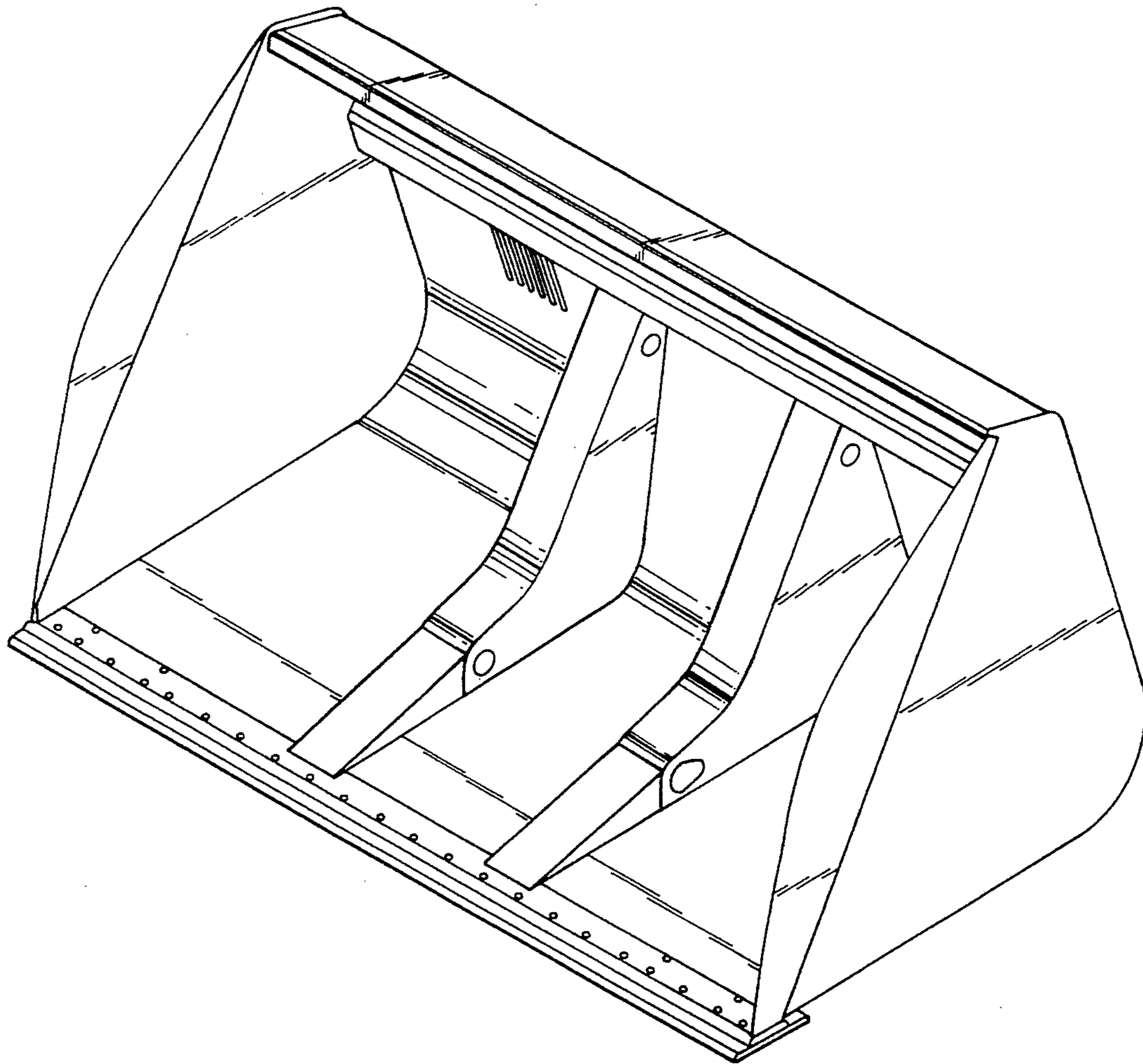
Primary Examiner—Theodore M. Shooman
Assistant Examiner—Sandra Morris
Attorney, Agent, or Firm—Young & Thompson

[57] **CLAIM**

The ornamental design for an tilting bucket for material handling machines, as shown and described.

DESCRIPTION

FIG. 1 is a front right perspective view of a tilting bucket for handling machines, showing my new design; FIG. 2 is a rear left perspective view thereof; FIG. 3 is a right side elevational view thereof; FIG. 4 is a left side elevational view thereof, with the forks shown in a drawn-out position; FIG. 5 is a bottom perspective view thereof, with the forks shown in a drawn-out position; and, FIG. 6 is a bottom plan view thereof.



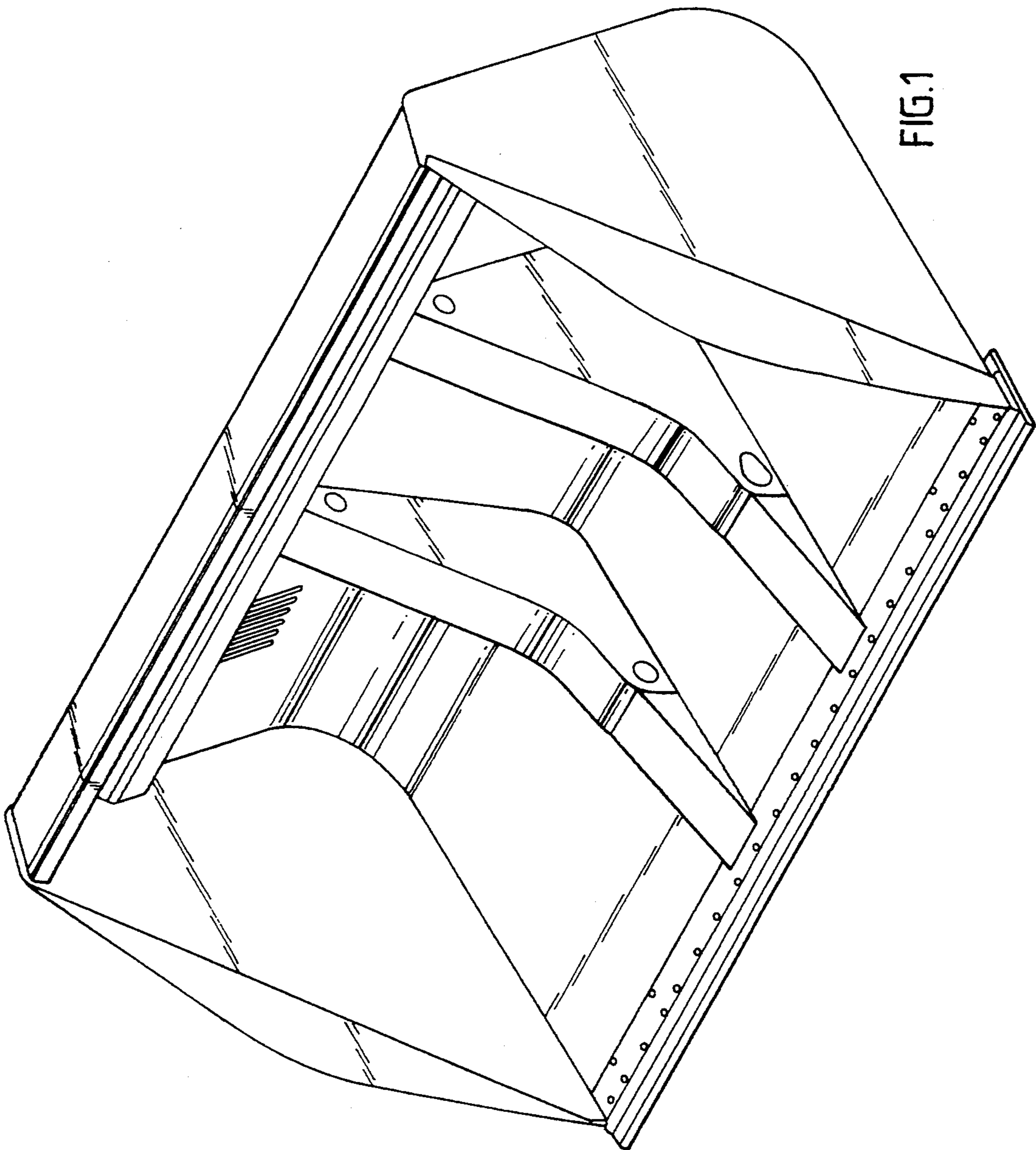


FIG. 1

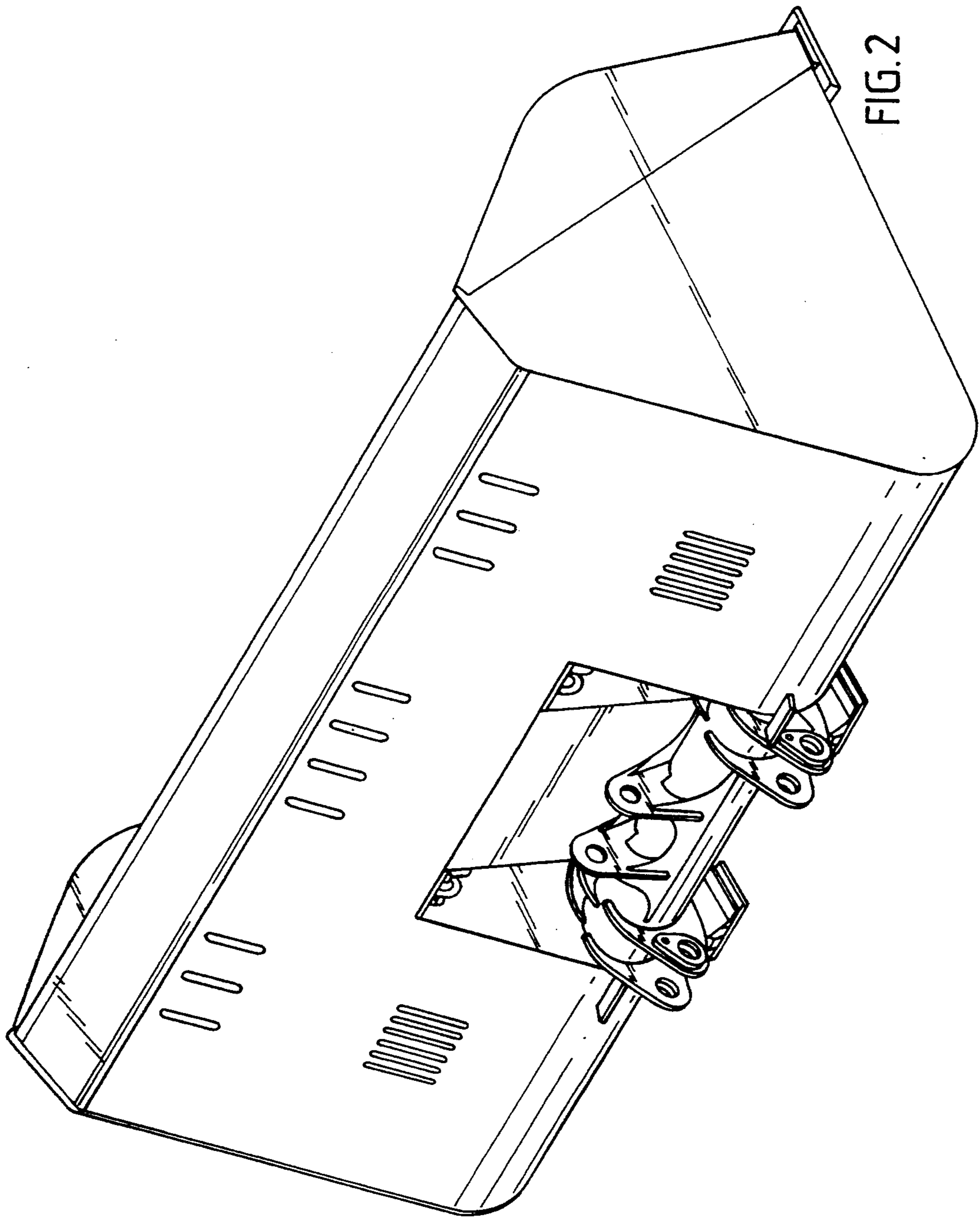
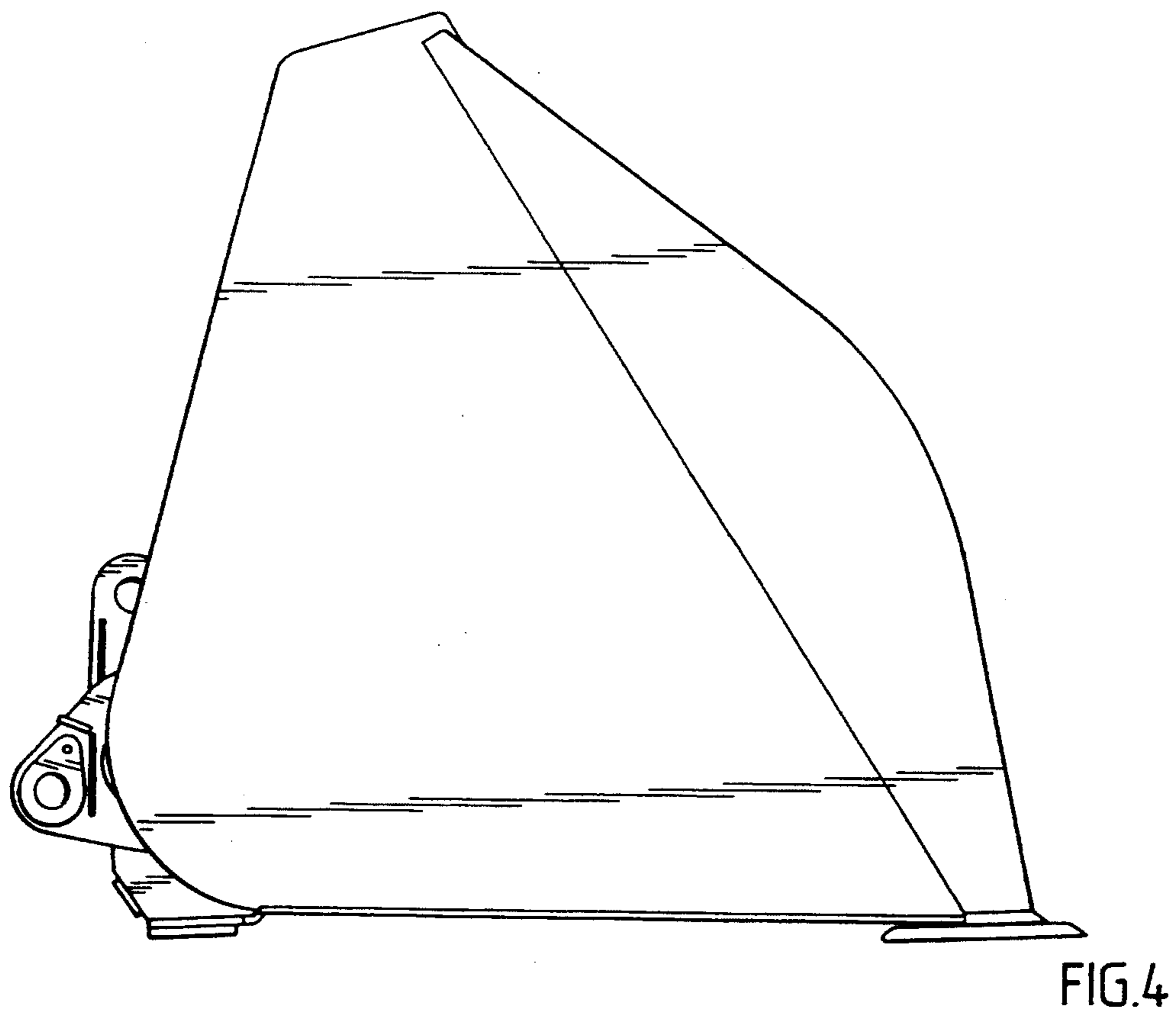
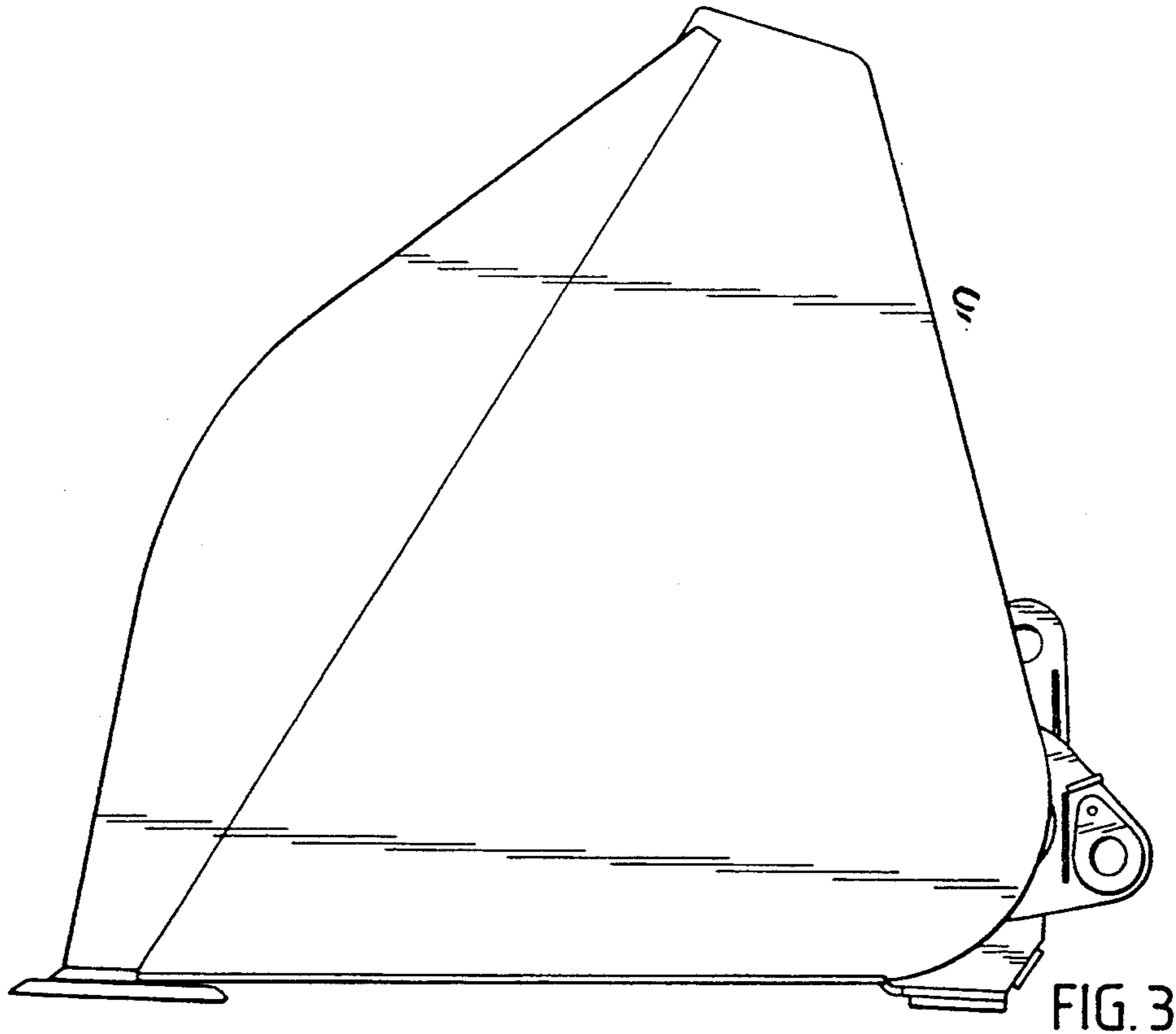


FIG. 2



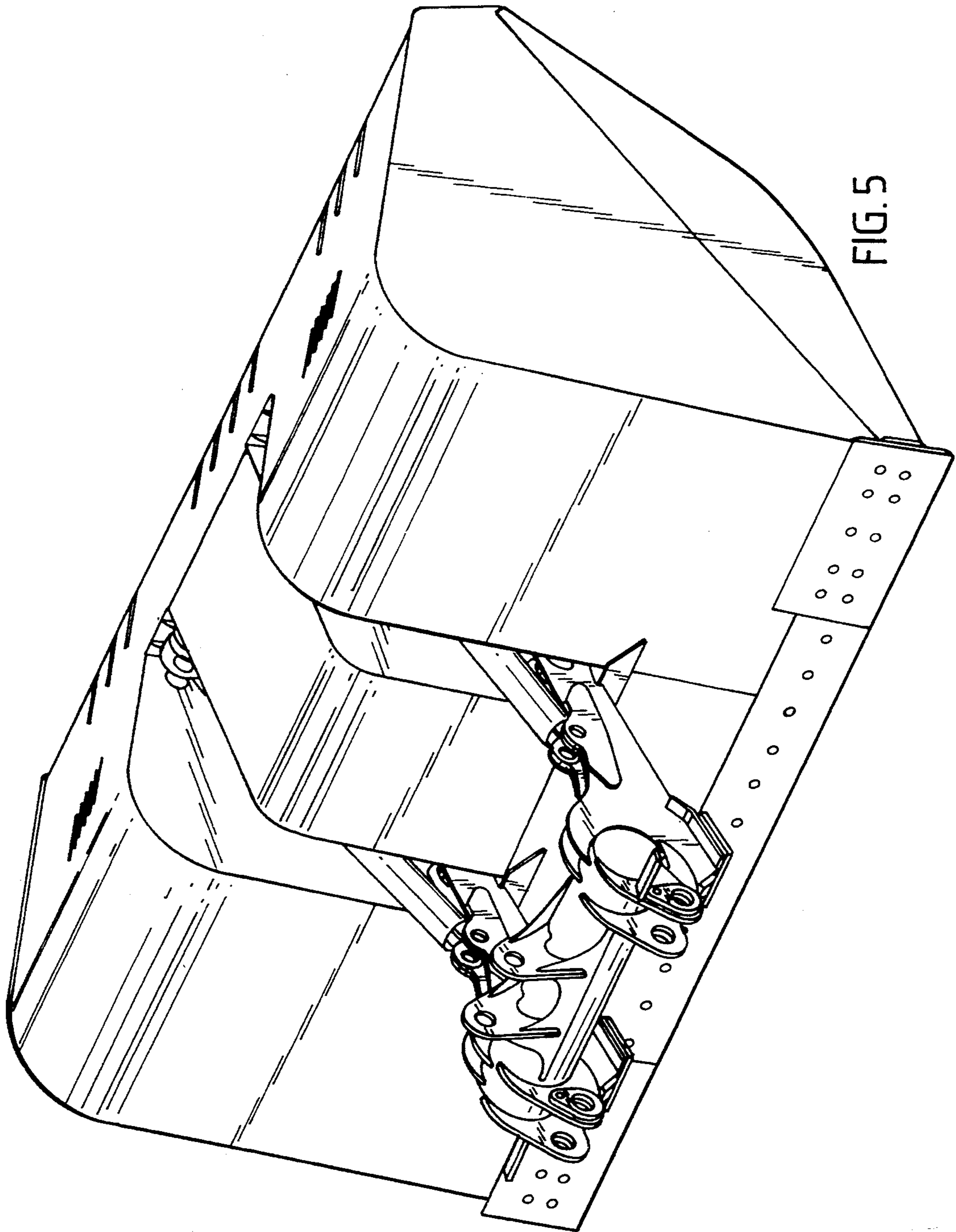


FIG. 5

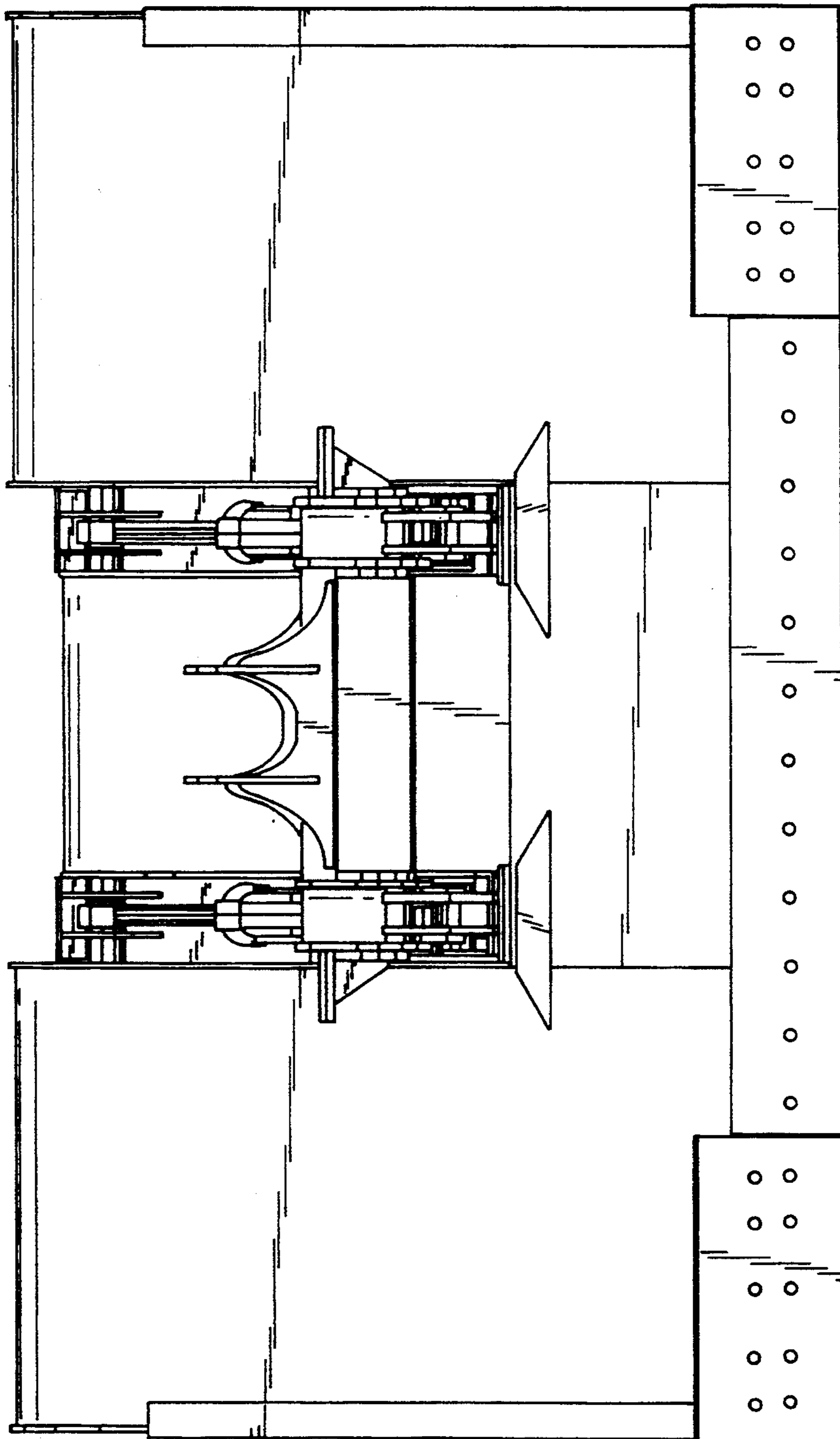


FIG. 6