



US00D357259S

United States Patent [19]

[11] Patent Number: **Des. 357,259**

Bold et al.

[45] Date of Patent: **** Apr. 11, 1995**

[54] **CHIPPER/SHREDDER WITH STANDARD VACUUM HEAD**

[75] Inventors: **Alfred J. Bold, Waterford; Kevin J. Connolly, Ballston Lake; Steven E. Kodesch, Schenectady, all of N.Y.**

[73] Assignee: **Garden Way Incorporated, Troy, N.Y.**

[*] Notice: The portion of the term of this patent subsequent to Apr. 12, 2008 has been disclaimed.

[**] Term: **14 Years**

[21] Appl. No.: **757,486**

[22] Filed: **Sep. 10, 1991**

[52] U.S. Cl. **D15/10**

[58] Field of Search **D15/10-17; 56/13.3, 13.4, 15.8, 16.7, 17.1, 202, 255, 320.2; 241/34, 56, 73, 101.7, 186 R**

[56] **References Cited**

U.S. PATENT DOCUMENTS

D. 249,690 9/1978 Thomas D15/14

D. 332,270	1/1993	Hefty	D15/14
3,905,181	9/1975	Messner	56/13.1
3,940,827	3/1976	Greco	56/13.1
4,860,961	8/1989	Hilgarth	D15/10
4,875,630	10/1989	Carlson	241/56
5,018,672	5/1991	Peck et al.	D15/10
5,060,460	10/1991	Dunn	56/13.3

Primary Examiner—Bernard Ansher
Assistant Examiner—Sandra Morris
Attorney, Agent, or Firm—Hayes & Reinsmith

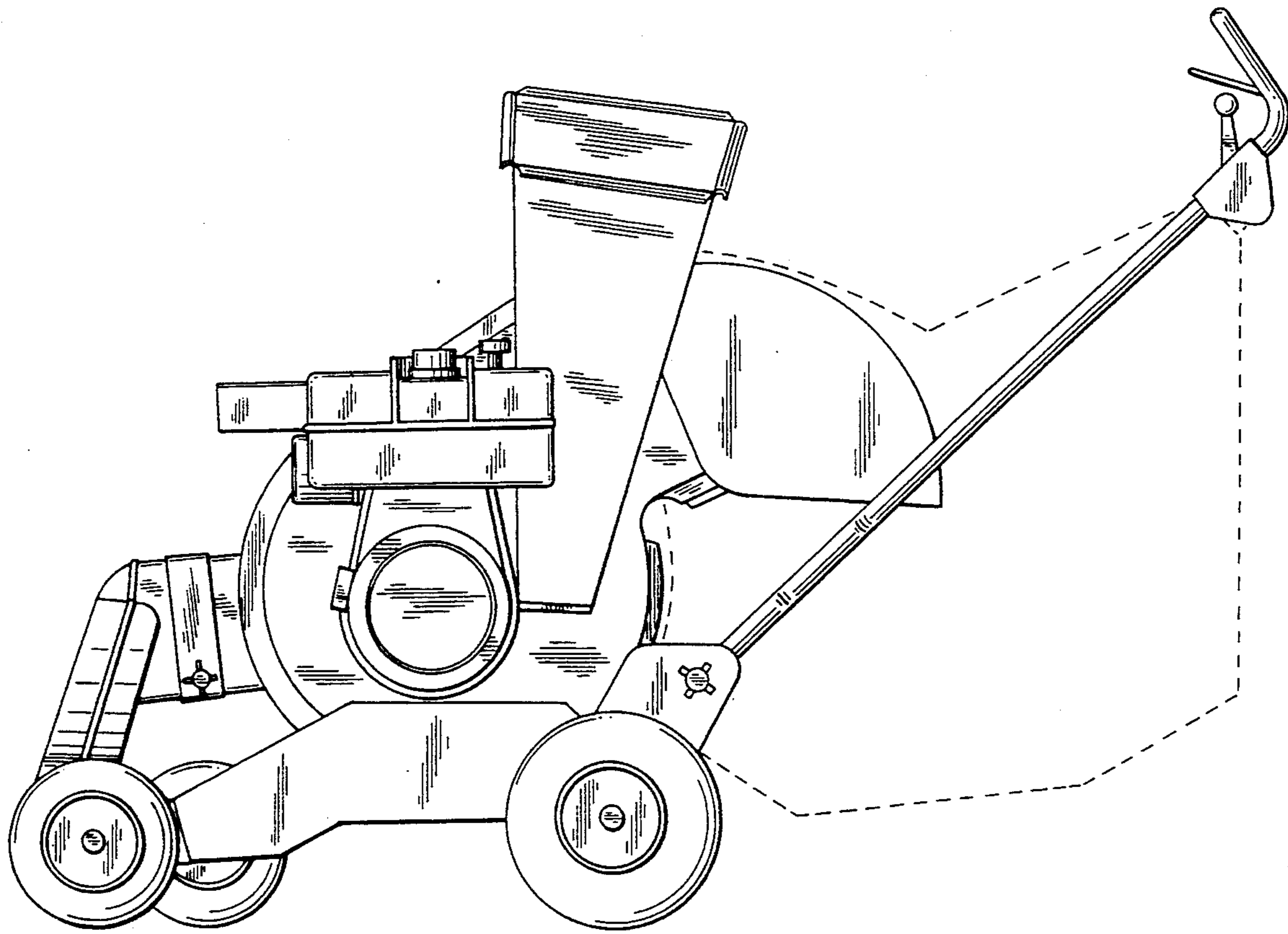
[57] **CLAIM**

The ornamental design for a chipper/shredder with standard vacuum head, as shown and described.

DESCRIPTION

FIG. 1 is a left side elevational view of a chipper/shredder with hose attachment showing our new design, the broken line showing of the bag attachment is for illustrative purposes only and forms no part of the claimed design;

FIG. 2 is a right side elevational view thereof;
FIG. 3 is a front elevational view thereof;
FIG. 4 is a rear elevational view thereof;
FIG. 5 is a top plan view thereof; and,
FIG. 6 is a bottom plan view thereof.



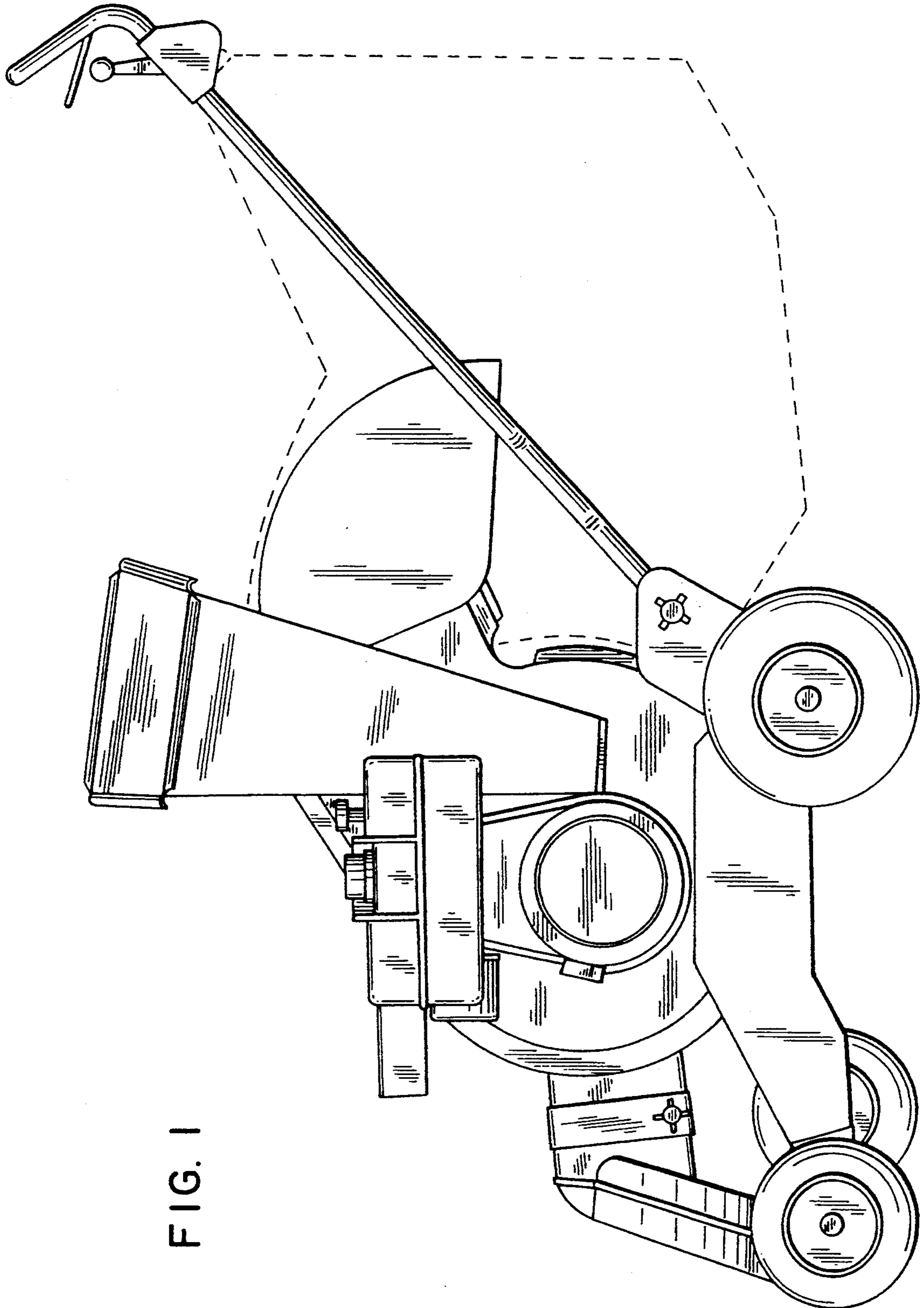


FIG. 1

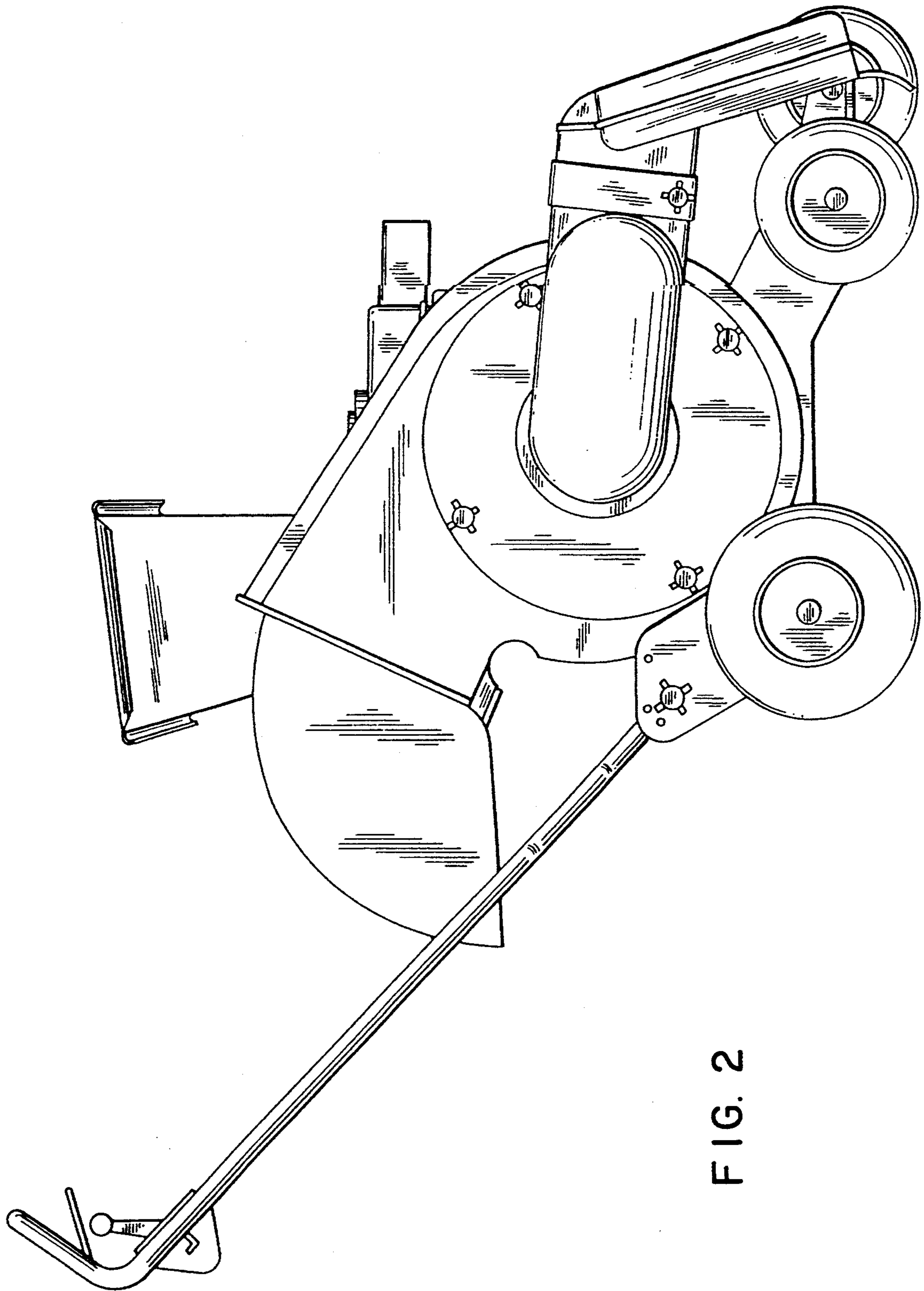


FIG. 2

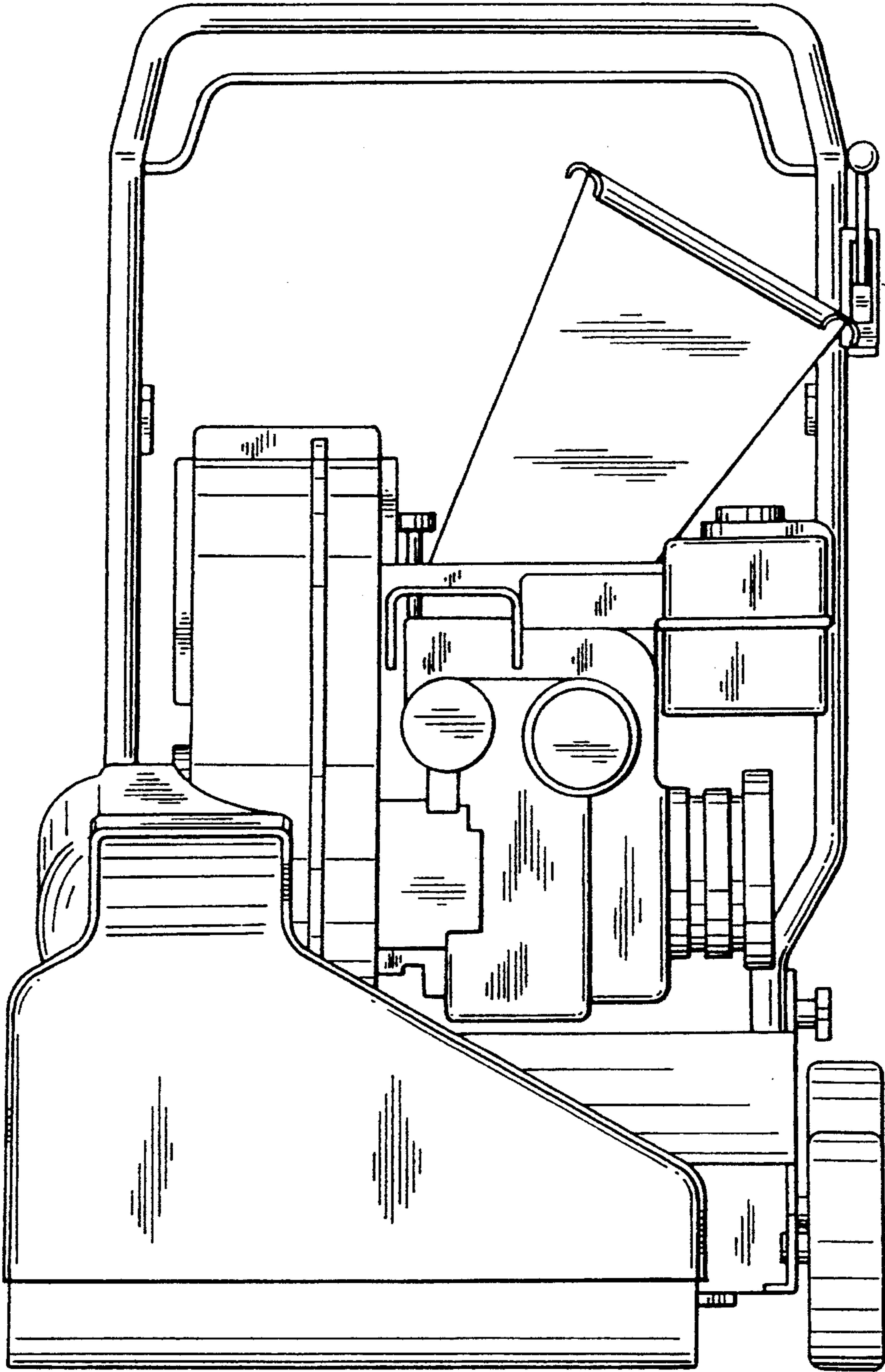


FIG. 3

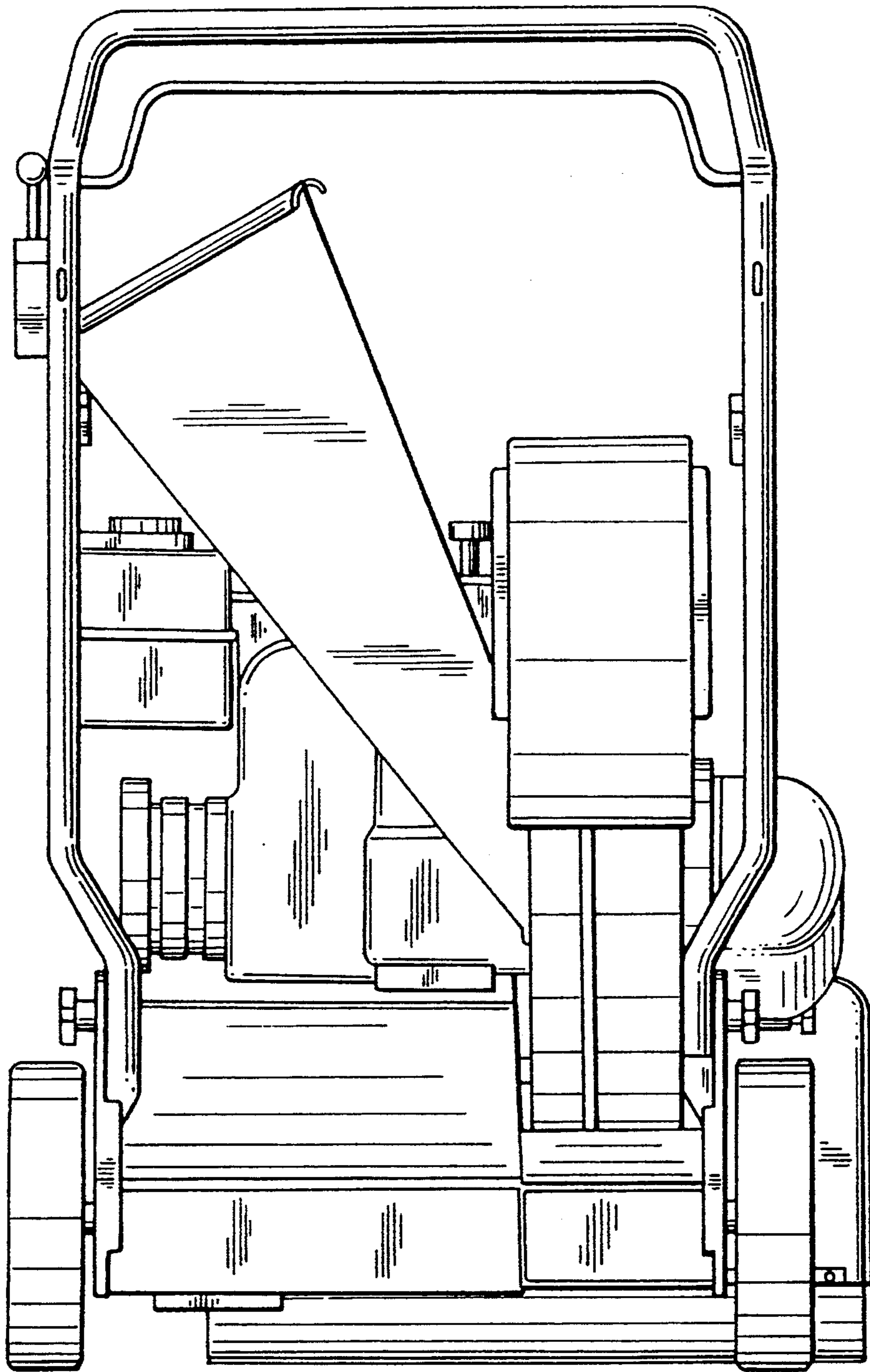


FIG. 4

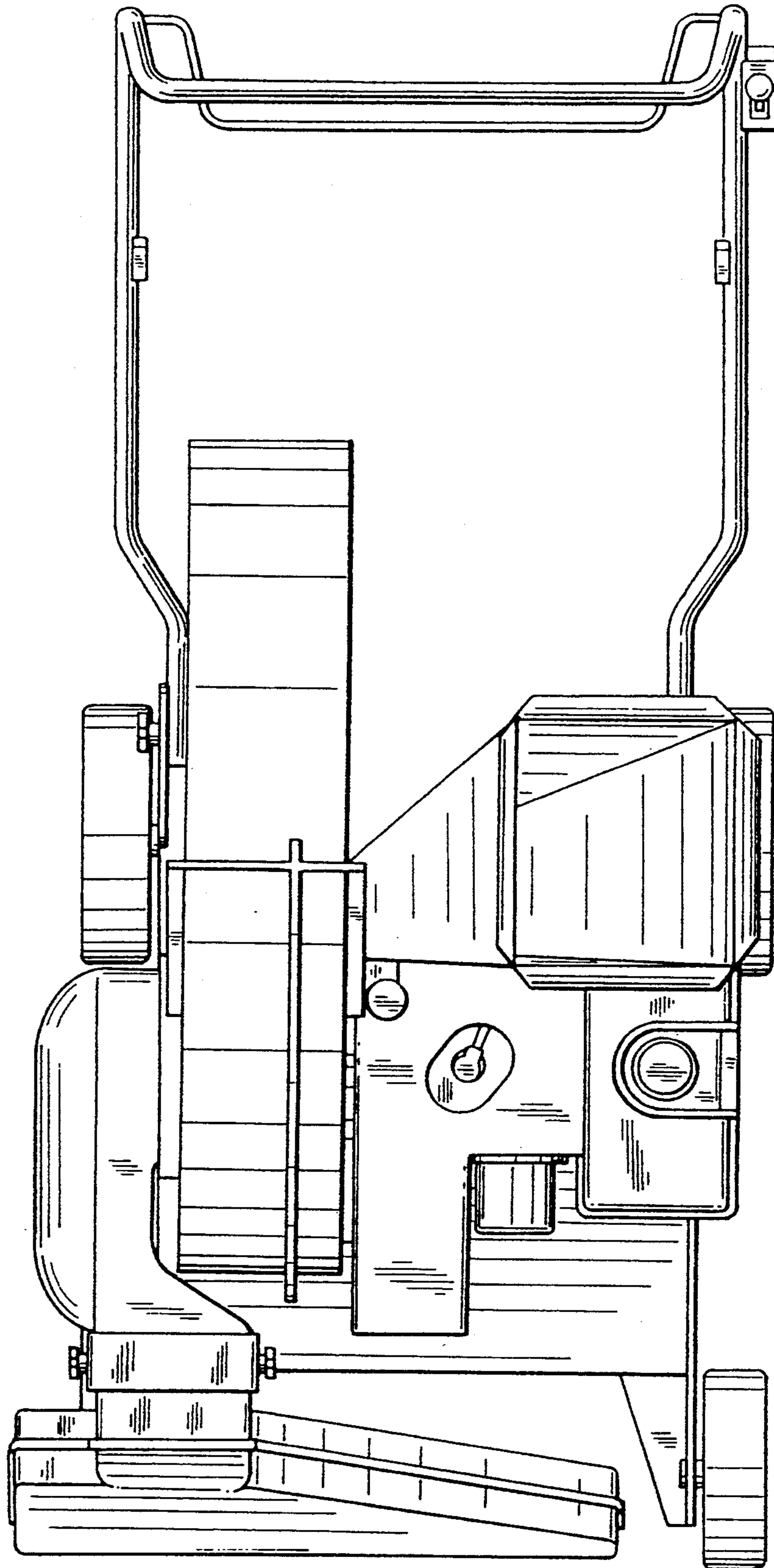


FIG. 5

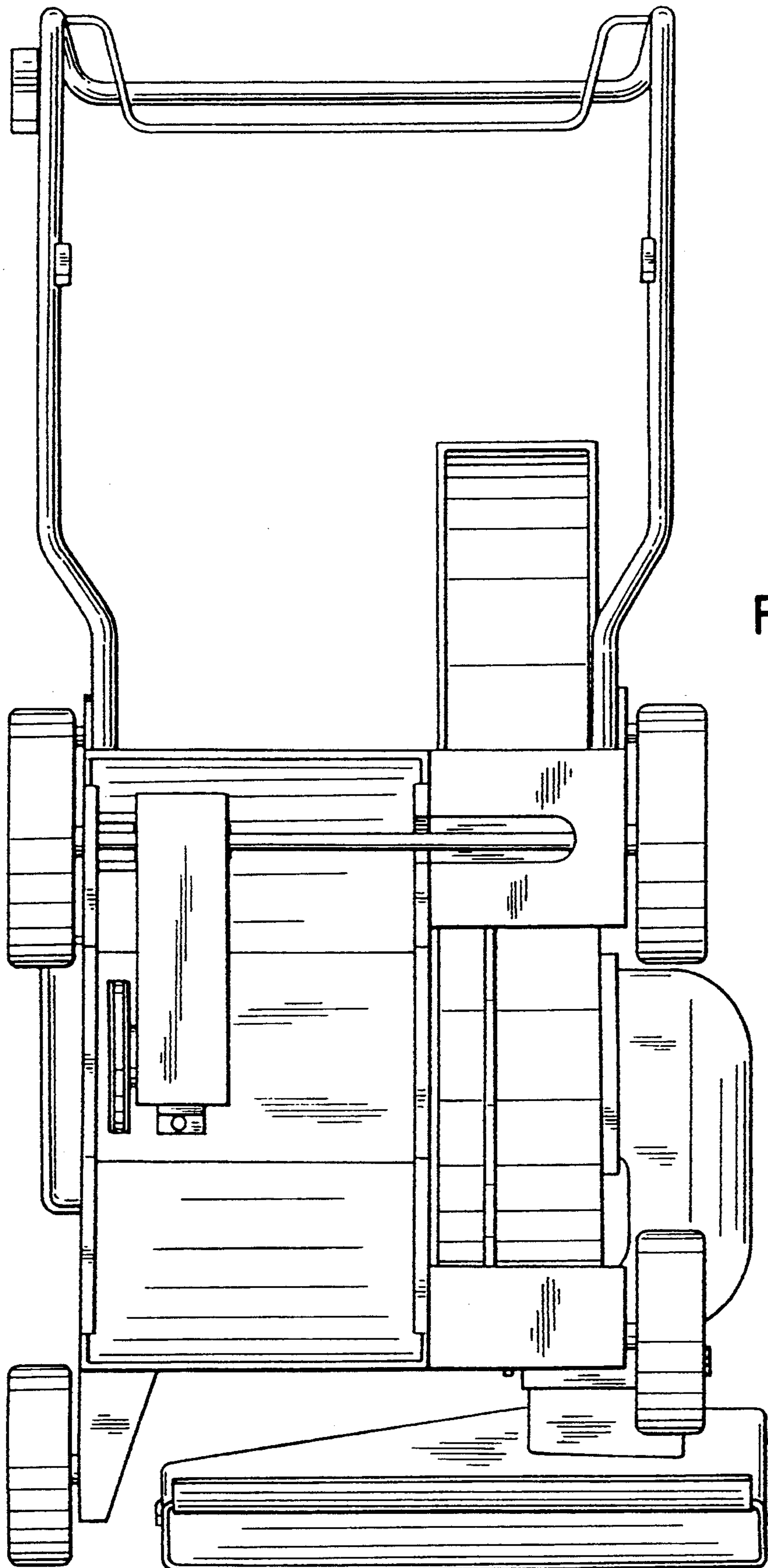


FIG. 6