



US00D357254S

# United States Patent [19]

[11] Patent Number: **Des. 357,254**

**Besasie**

[45] Date of Patent: **\*\* Apr. 11, 1995**

[54] **COMBINATION HEARING PROTECTOR AND SOUND AMPLIFIER**

5,001,763 3/1991 Mosely ..... 381/71

[75] Inventor: **Joseph C. Besasie**, Shorewood, Wis.

### OTHER PUBLICATIONS

Design News, Nov. 1985, p. 122 Ear protectors.  
Crutchfield Winter/Spring 91 p. 101 AKG Headphones, item G.

[73] Assignee: **Silver Creek Nurseries, Inc.**, Manitowoc, Wis.

*Primary Examiner*—Melvin B. Feifer  
*Assistant Examiner*—Sandra Morris  
*Attorney, Agent, or Firm*—Wheeler & Kromholz

[\*\*] Term: **14 Years**

[21] Appl. No.: **856,192**

### [57] CLAIM

[22] Filed: **Mar. 23, 1992**

The ornamental design for a combination hearing protector and sound amplifier, as shown and described.

[52] U.S. Cl. .... **D14/205**

[58] Field of Search ..... D14/205, 206, 223;  
181/129, 136, 137; 379/430, 444; 381/25, 68,  
158, 183, 187

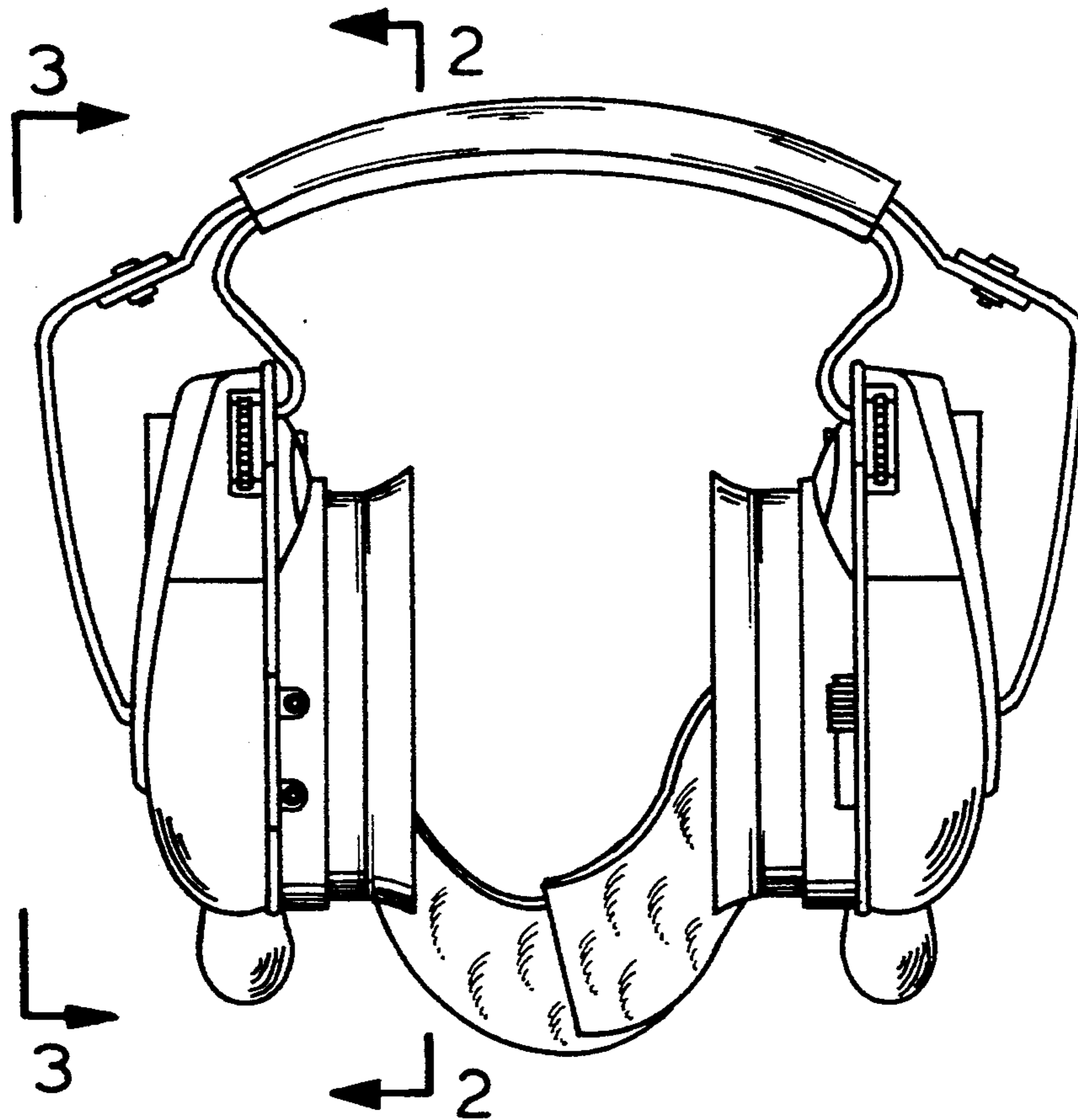
### DESCRIPTION

### [56] References Cited

#### U.S. PATENT DOCUMENTS

D. 255,352	6/1980	Besasie	.....	D14/205
D. 299,025	12/1988	Besasie	.....	D14/205
D. 331,928	12/1992	McDowell	.....	D14/205
D. 336,647	6/1993	Yamazaki	.....	D14/205
2,972,018	2/1961	Hawley et al.	.	
3,306,991	2/1967	Wood	.	
4,181,818	1/1980	Shenier	.....	179/1 P
4,845,751	7/1989	Schwab	.....	381/25
4,928,311	5/1990	Trompler	.....	381/72

FIG. 1 is a front elevational view of the combination hearing protector and sound amplifier;  
FIG. 2 is a view from line 2—2 of FIG. 1 showing the earpiece portion of the headset which would cover an ear;  
FIG. 3 is a view from line 3—3 showing the opposite side of the earpiece portion of the headset;  
FIG. 4 is a view from line 4—4 of FIG. 3 showing the bottom view of the earpiece for the headset;  
FIG. 5 is a view from line 5—5 of FIG. 2 showing a top view of the earpiece for the headset; and,  
FIG. 6 is a rear elevational view of the headset.



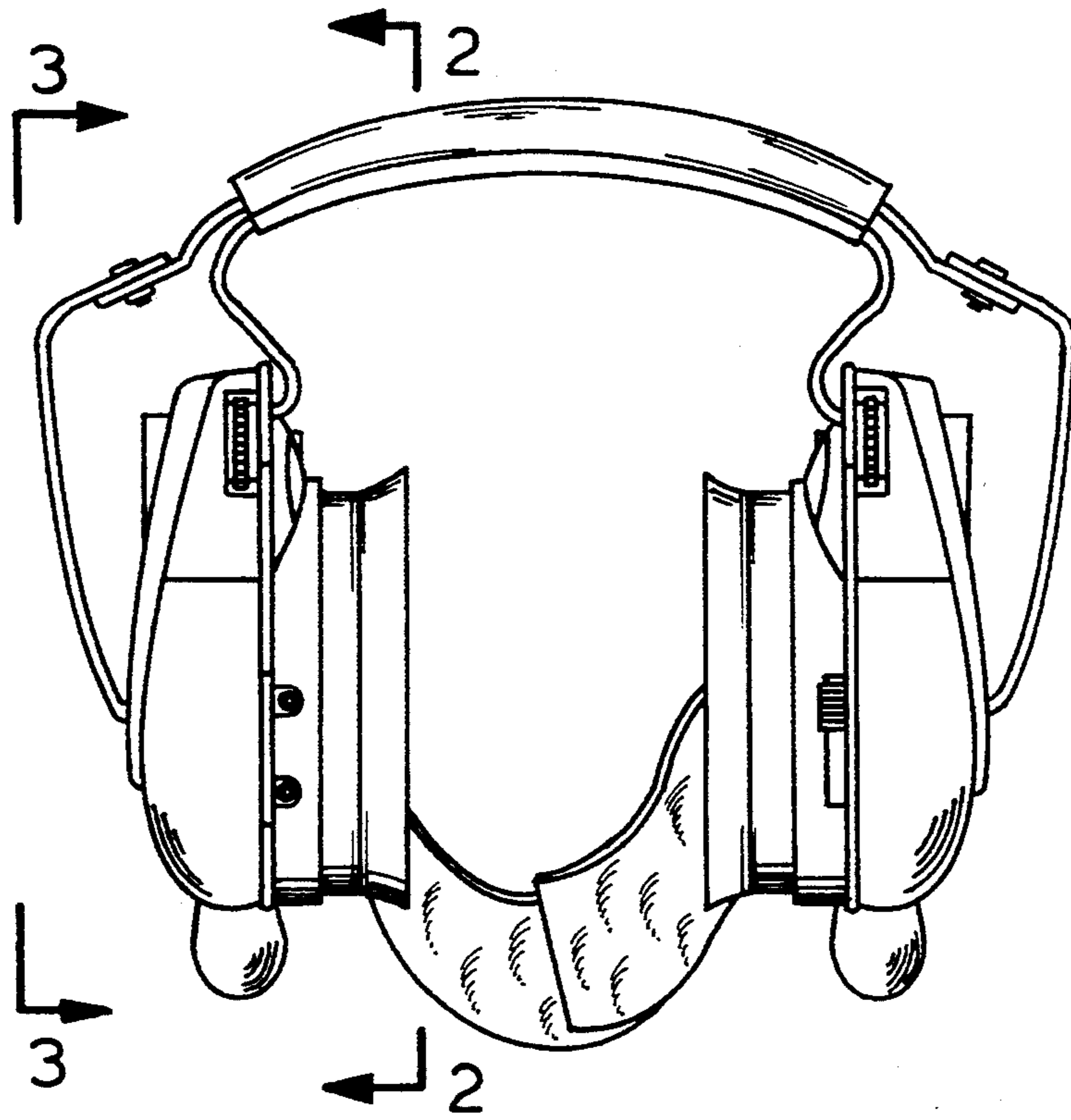


FIG. 1

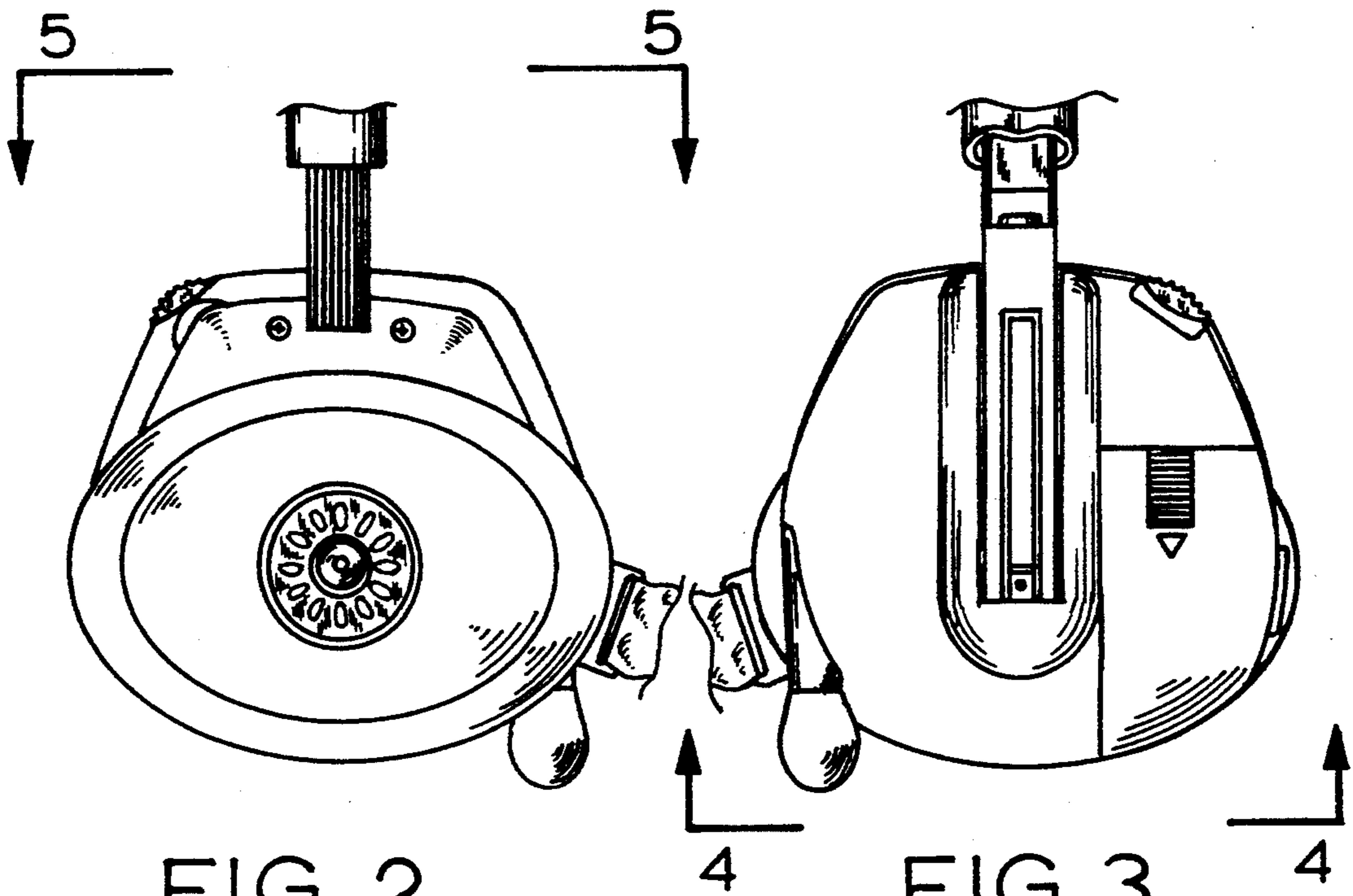


FIG. 2

FIG. 3

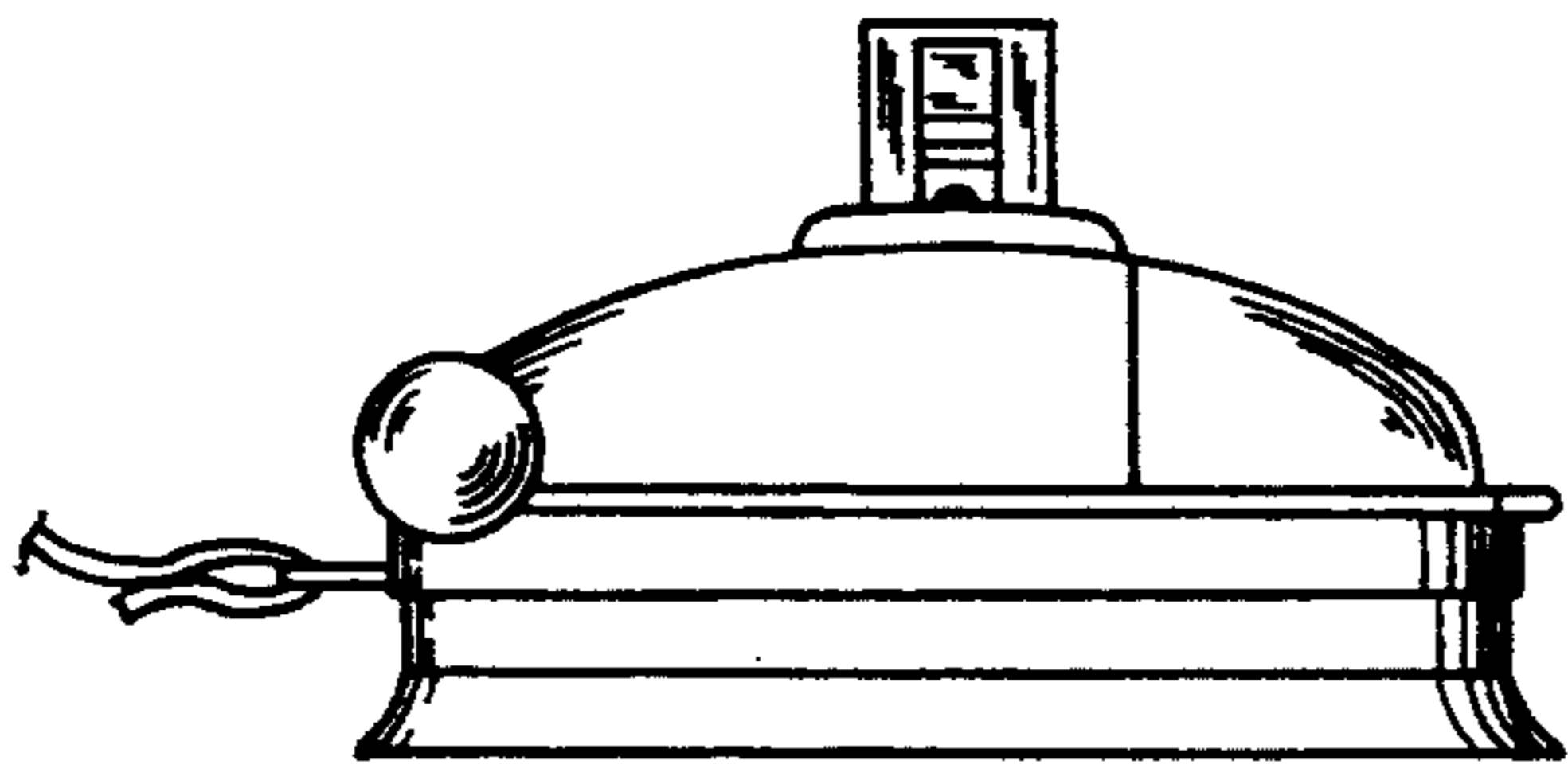


FIG. 4

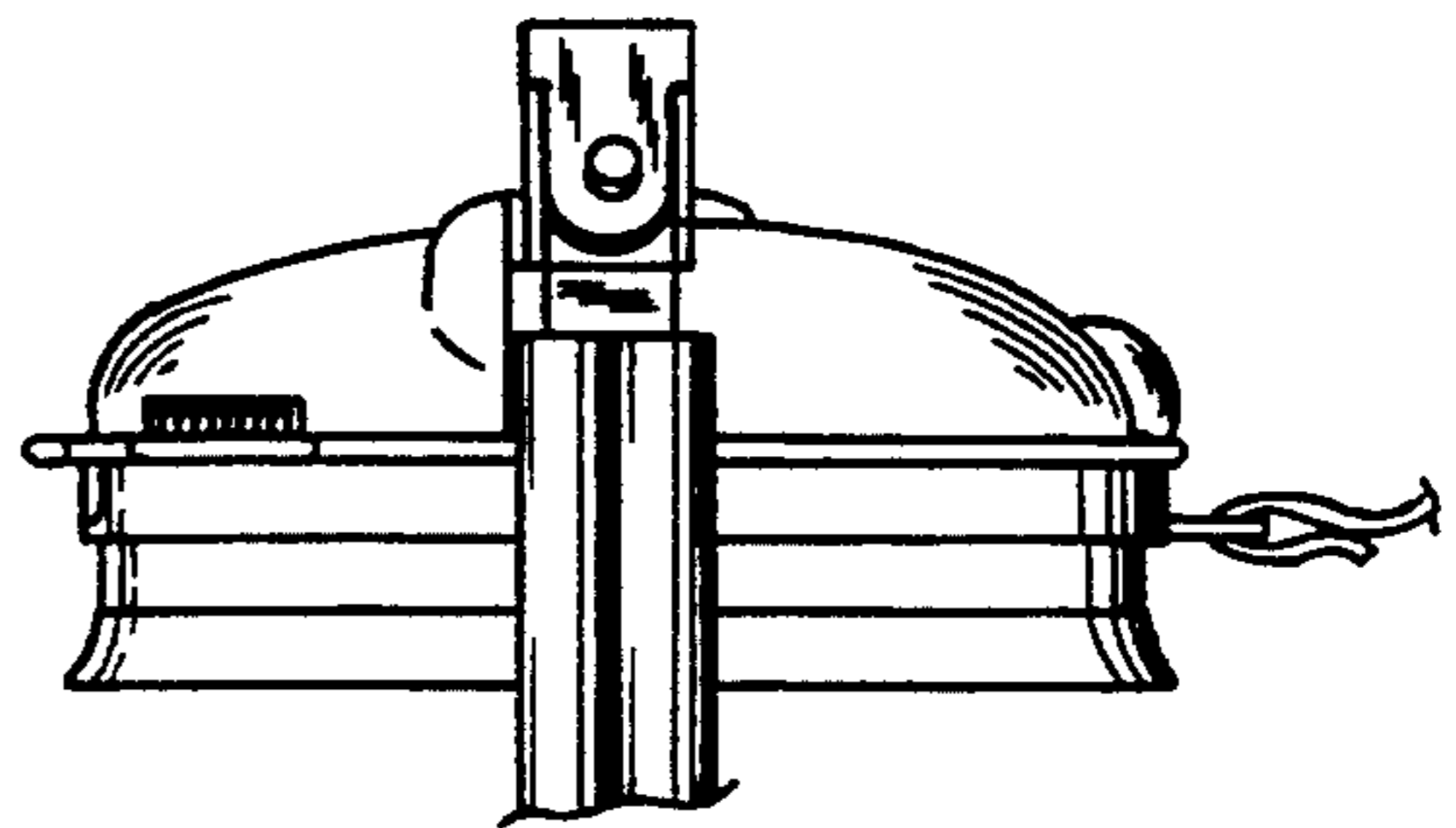


FIG. 5



FIG. 6