



US00D357248S

United States Patent [19]

[11] Patent Number: **Des. 357,248**

Cheng

[45] Date of Patent: **** Apr. 11, 1995**

[54] COMBINED HEADSET AND INFRARED TRANSCEIVER

[76] Inventor: **Chin Wah Cheng**, Flat E. 2nd Fl.,
Joint Venture Factory Bldg., 76
Hung To Road, Kwon Tong, Hong
Kong

[**] Term: **14 Years**

[21] Appl. No.: **15,083**

[22] Filed: **Nov. 5, 1993**

[52] U.S. Cl. **D14/137; D14/168;**
D14/205

[58] Field of Search **D14/137, 205, 155, 168;**
381/25, 168, 169; 455/73, 89, 90

[56] References Cited

U.S. PATENT DOCUMENTS

D. 297,737	9/1988	Vosburgh	D14/155
D. 331,059	11/1992	Sogabe et al.	D14/205
D. 345,162	3/1994	Yamatogi	D14/205
4,633,498	12/1986	Warnke et al.	381/25
5,095,382	3/1992	Abe	381/25

OTHER PUBLICATIONS

Stereo Review; Jun. 1989; p. 57; cordless headphones and transceiver.

Stereo Review; Apr. 1989; p. 61; cordless headphones and transceiver (lower left).

Video Review; Mar. 1989; p. 20; cordless headphones (lower left).

Primary Examiner—B. J. Bullock

Attorney, Agent, or Firm—Steven G. Roeder; Sheldon & Mak, Inc.

[57] CLAIM

The ornamental design of the combined headset and infrared transceiver, as shown and described.

DESCRIPTION

FIG. 1 is a front elevational view of a combined headset and infrared transceiver showing my new design; FIG. 2 is a left side elevational view of the transceiver shown separately for clarity of illustration; FIG. 3 is a right side elevational view of FIG. 2; FIG. 4 is a left side elevational view of the headset shown separately for clarity of illustration; FIG. 5 is a right side elevational view of FIG. 4; FIG. 6 is a rear elevational view of FIG. 1; FIG. 7 is a top plan view of FIG. 2; FIG. 8 is a top plan view of FIG. 4; and, FIG. 9 is a bottom plan view of FIG. 1.

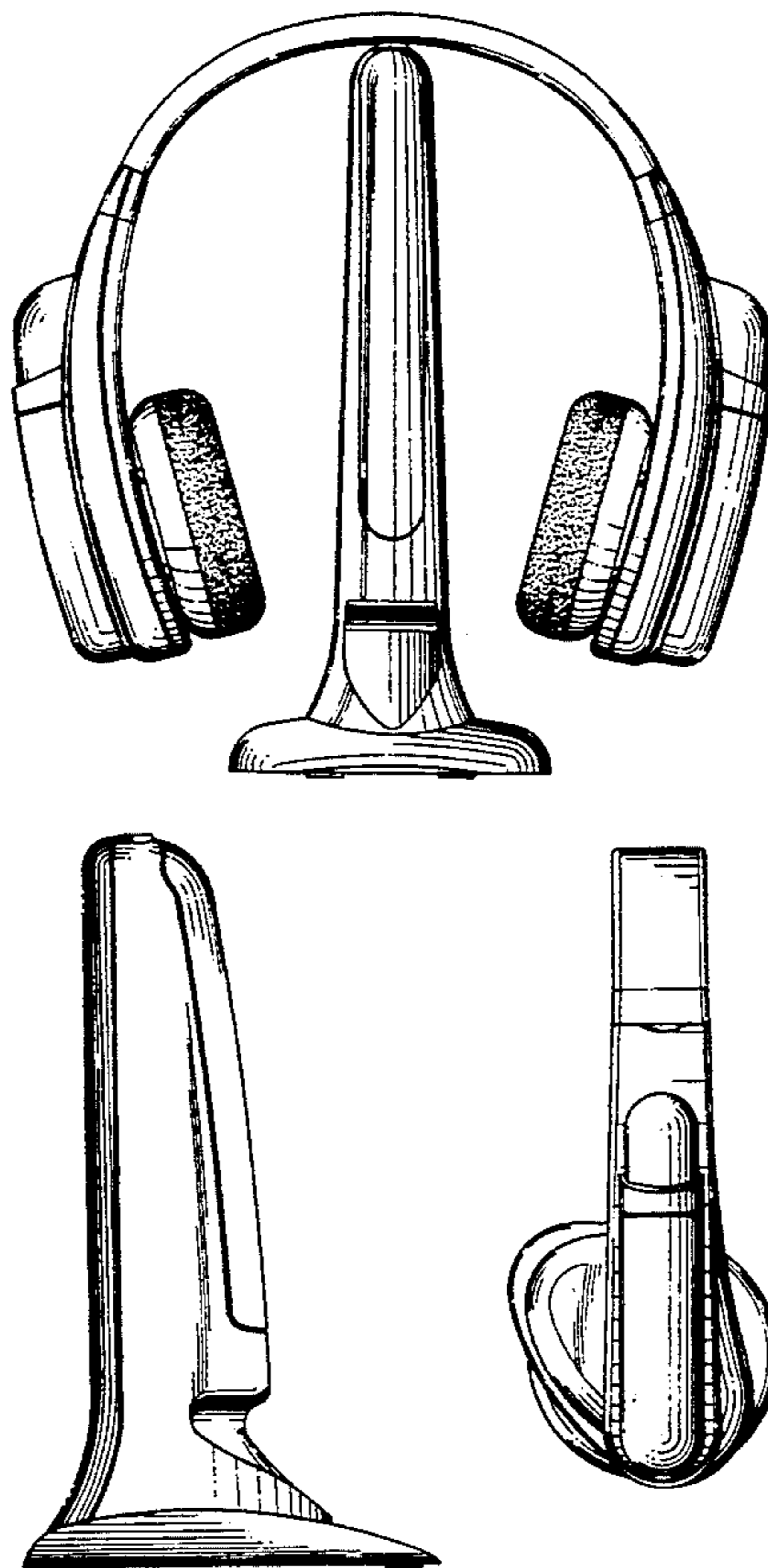




FIG. 1

FIG. 3

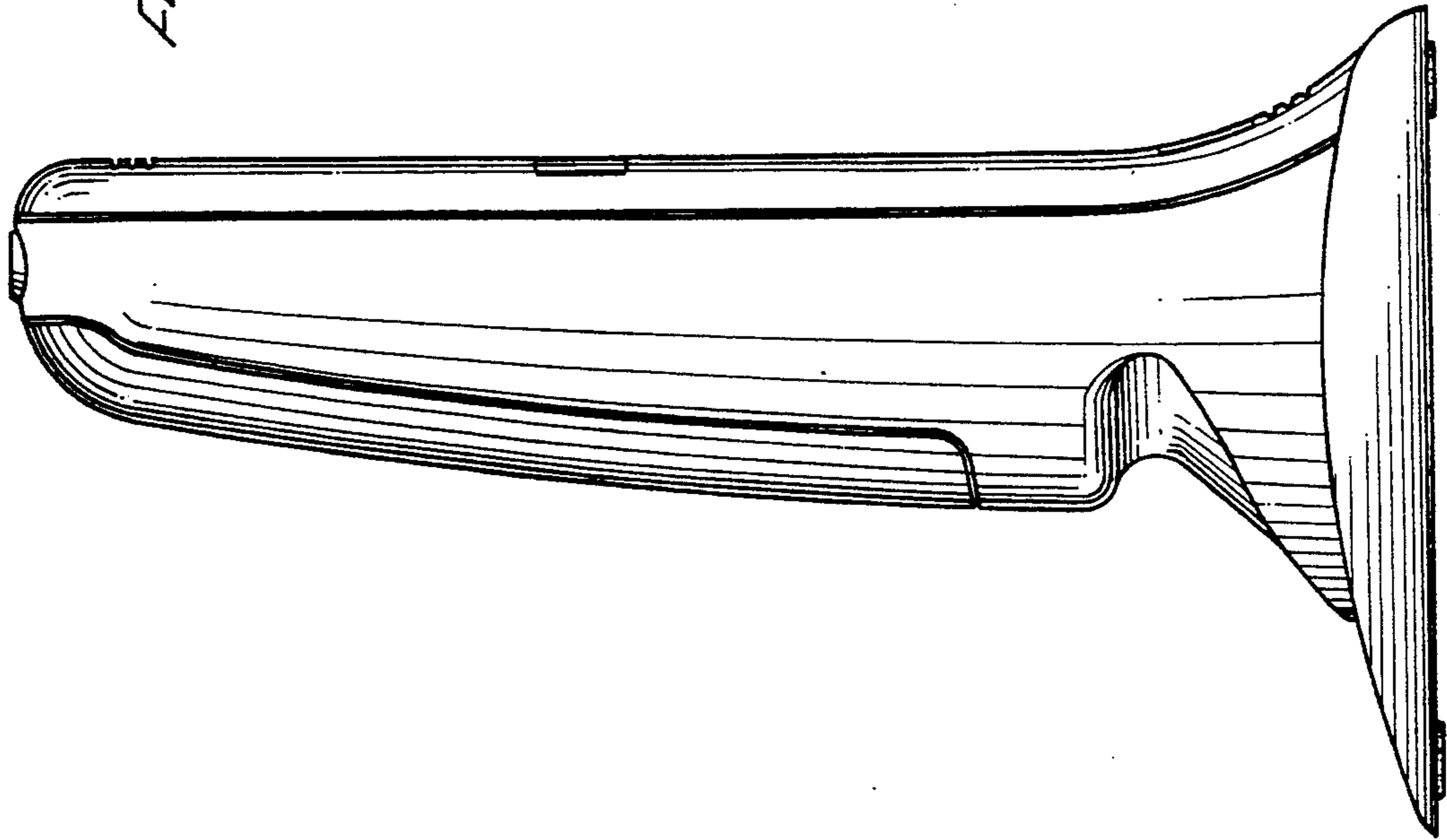
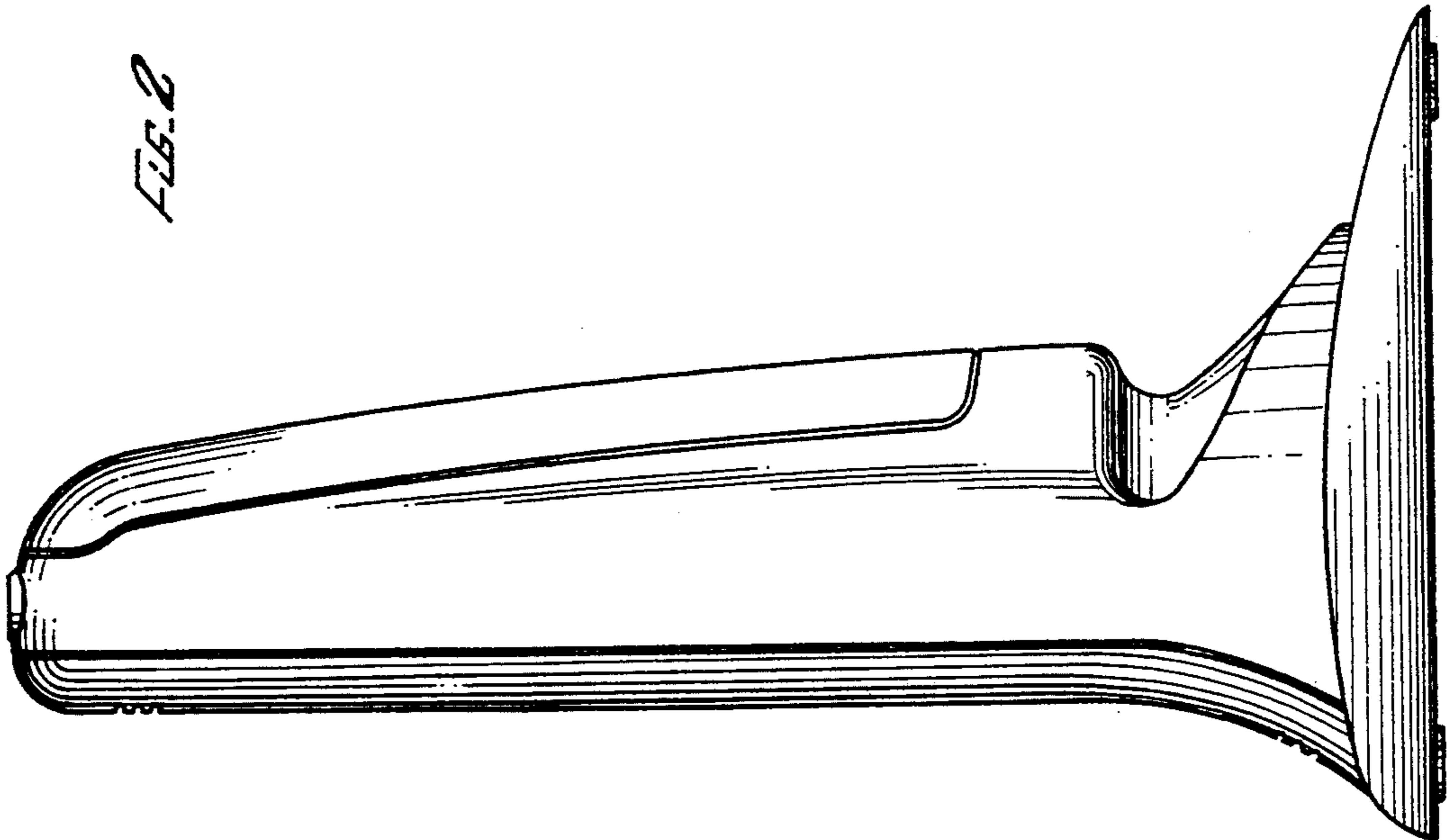


FIG. 2



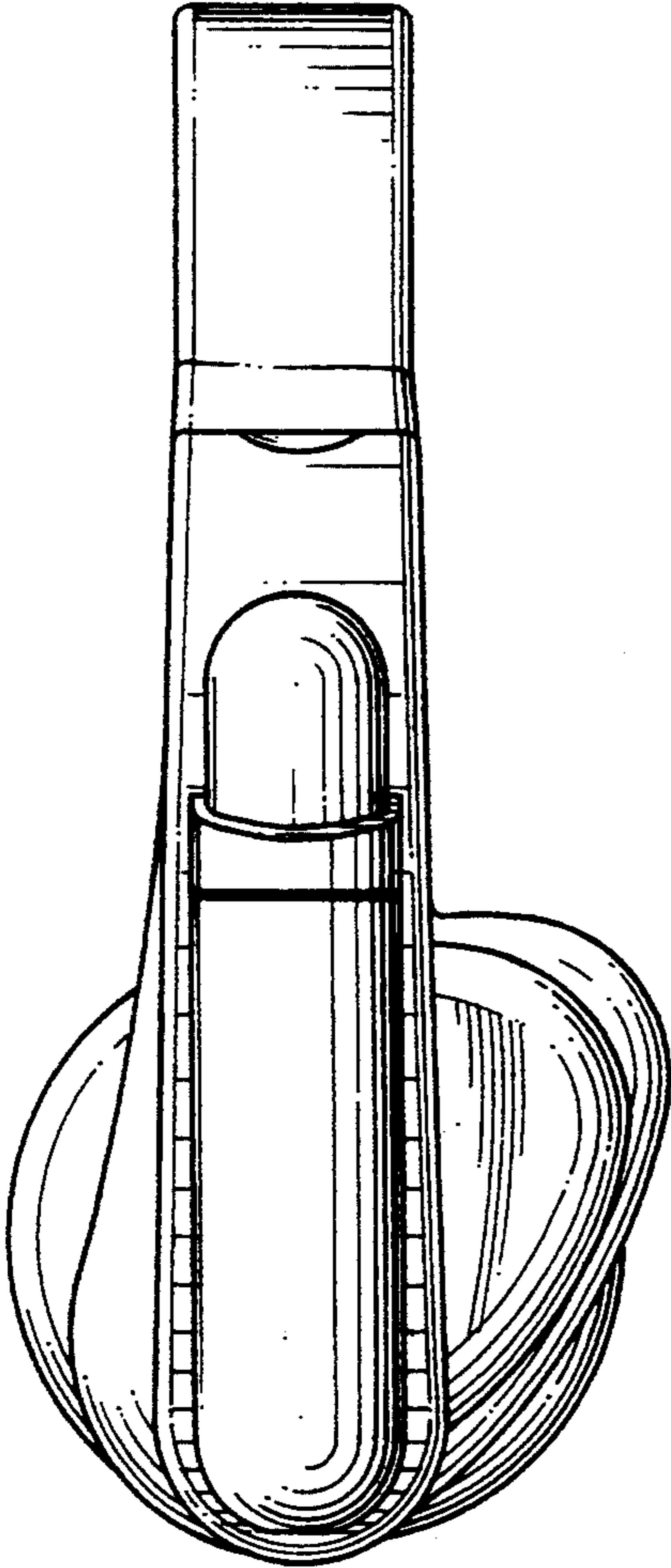


FIG. 5

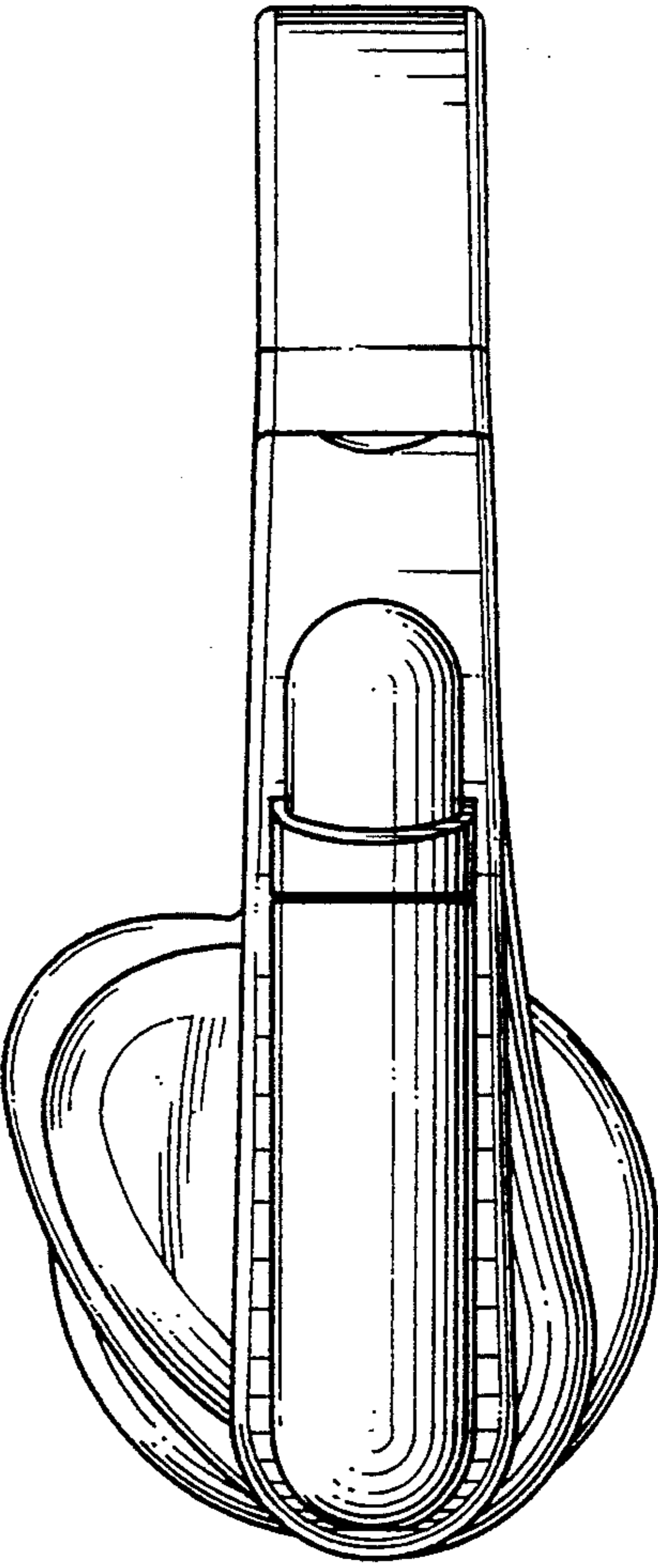


FIG. 4



FIG. 6

FIG. 1

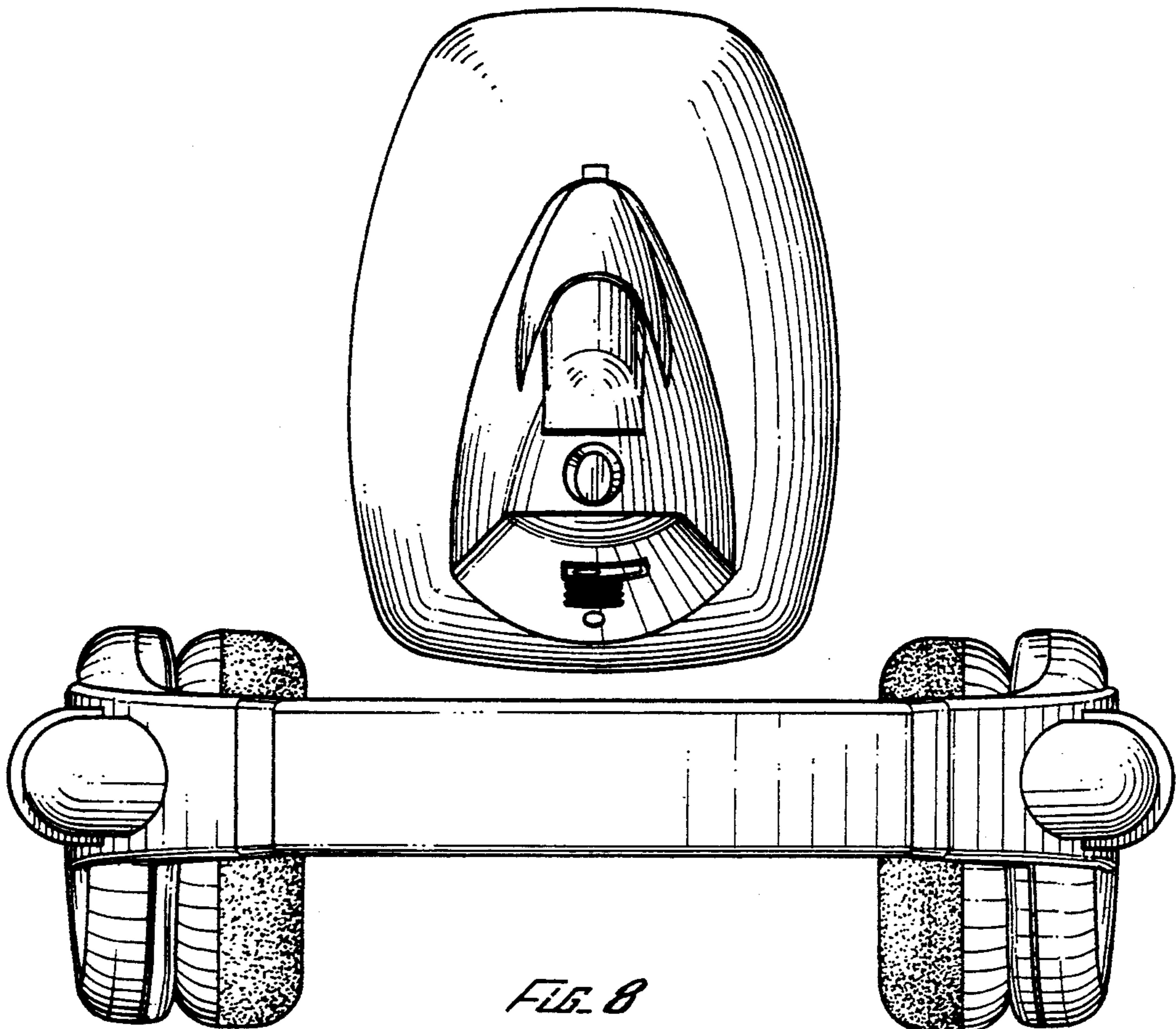


FIG. 8

FIG. 9

