



US00D357246S

United States Patent [19]

[11] Patent Number: **Des. 357,246**

Tanaka

[45] Date of Patent: **** Apr. 11, 1995**

[54] VIDEO TAPE RECORDER

[75] Inventor: **Toshiyuki Tanaka**, Tokyo, Japan

[73] Assignee: **Kabushiki Kaisha Toshiba**, Kawasaki, Japan

[**] Term: **14 Years**

[21] Appl. No.: **4,366**

[22] Filed: **Feb. 3, 1993**

[30] Foreign Application Priority Data

Aug. 4, 1992 [JP]	Japan	4-23167
[52] U.S. Cl.			D14/135
[58] Field of Search		D14/124, 135, 136, 156,	D14/299

[56] References Cited

U.S. PATENT DOCUMENTS

D. 307,424	4/1990	Shim	D14/135
D. 307,898	5/1990	Shim	D14/135
D. 307,901	5/1990	Yang	D14/135
D. 327,677	7/1992	Byun	D14/135
D. 346,457	7/1994	Cha	D14/135

FOREIGN PATENT DOCUMENTS

763634	6/1989	Japan	.
873492	7/1993	Japan	.

OTHER PUBLICATIONS

Sony Catalog of EV-S3, Jun. 8, 1992.

Primary Examiner—Theodore M. Shooman
Attorney, Agent, or Firm—Oblon, Spivak, McClelland, Maier, & Neustadt

[57] CLAIM

The ornamental design for a video tape recorder, as shown.

DESCRIPTION

FIG. 1 is a perspective view of a video tape recorder, showing my new design;
 FIG. 2 is a front elevational view thereof;
 FIG. 3 is a top plan view thereof;
 FIG. 4 is a left side elevational view thereof;
 FIG. 5 is a right side elevational view thereof;
 FIG. 6 is a rear elevational view thereof; and,
 FIG. 7 is a bottom plan view thereof.

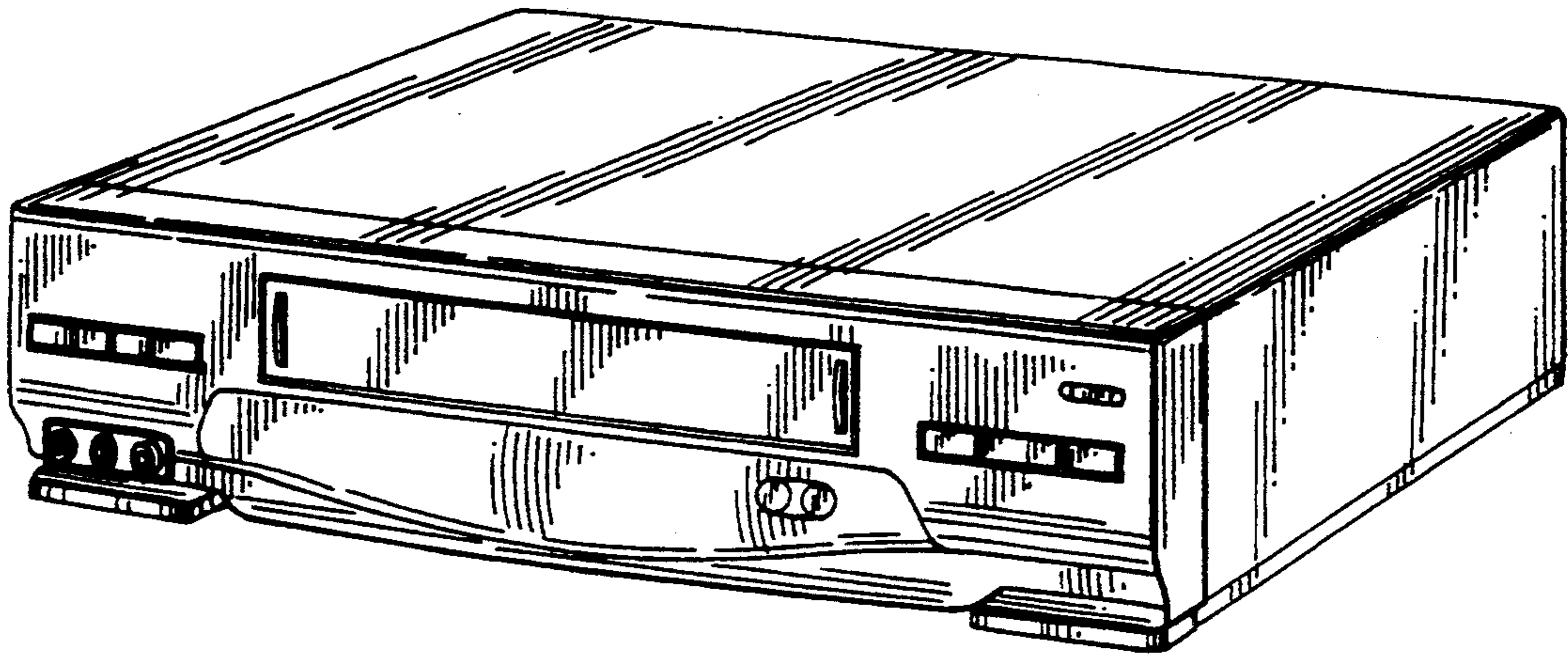


FIG. 1

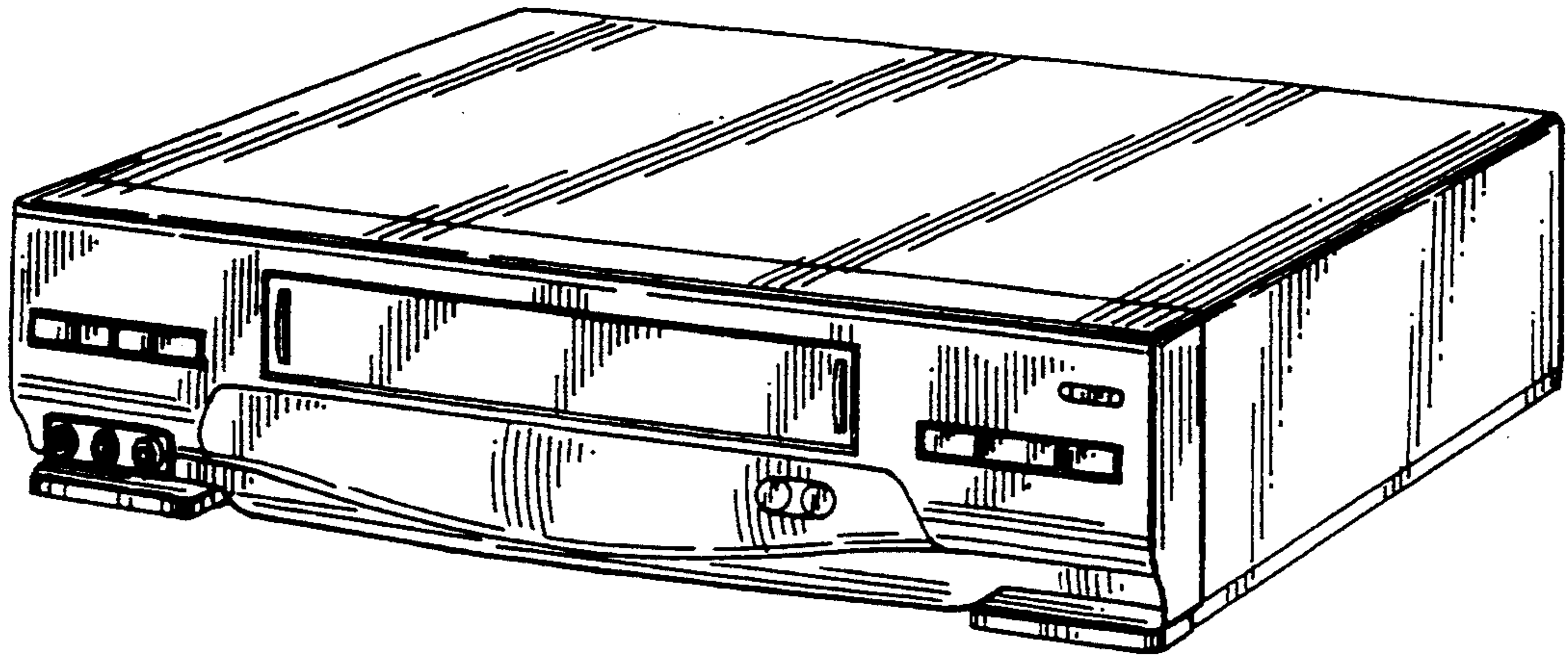


FIG. 2

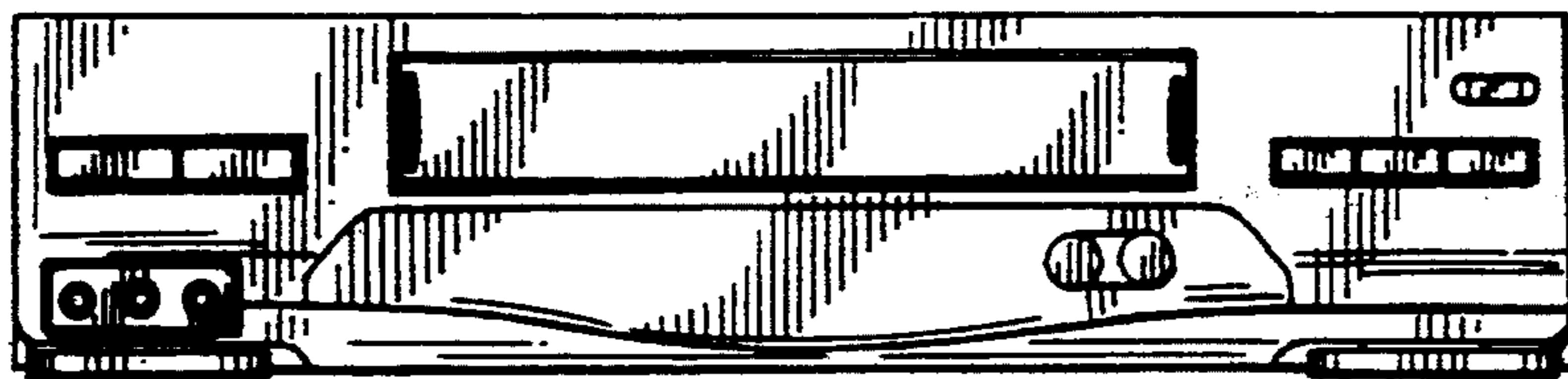


FIG. 3

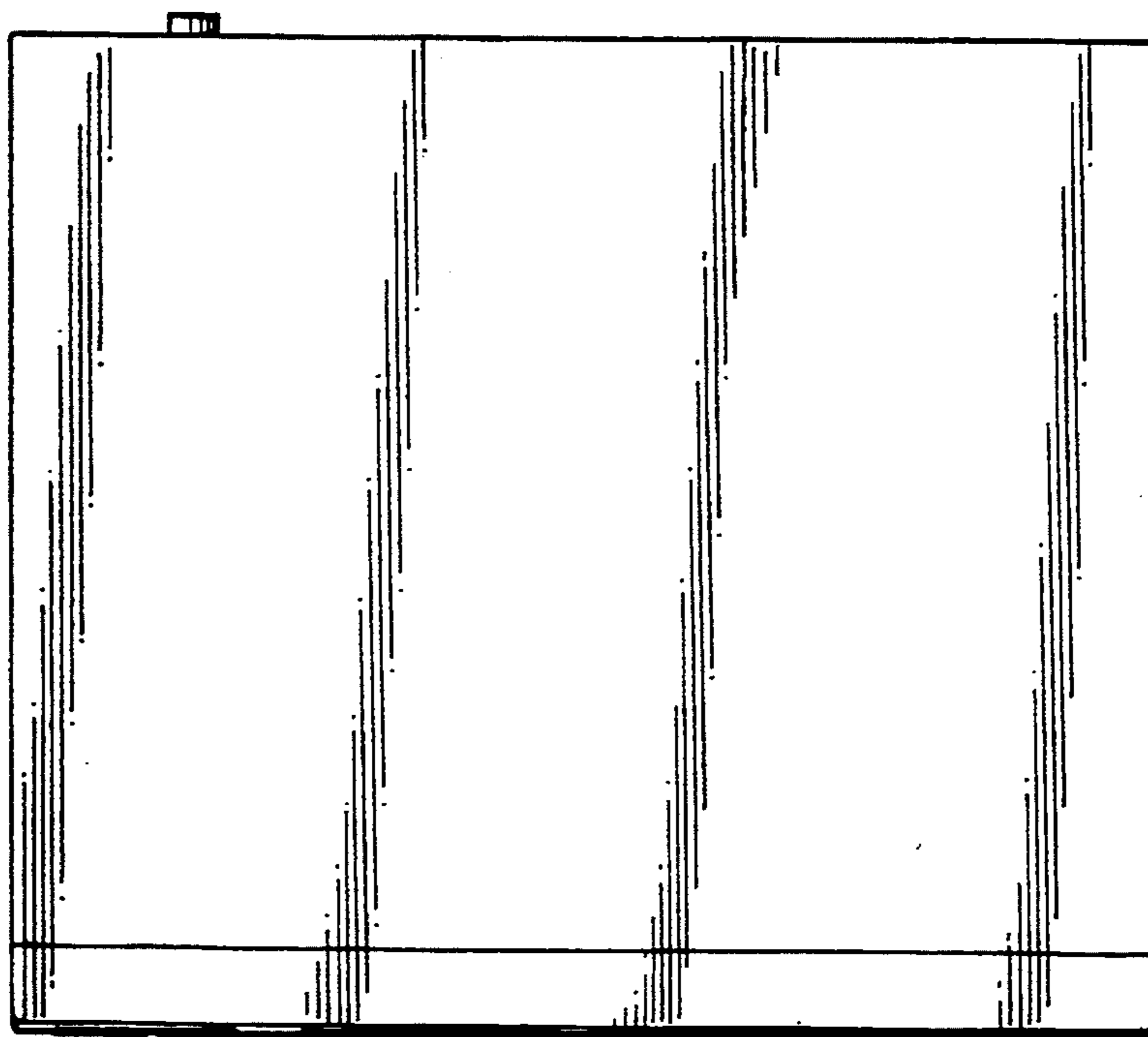


FIG. 4

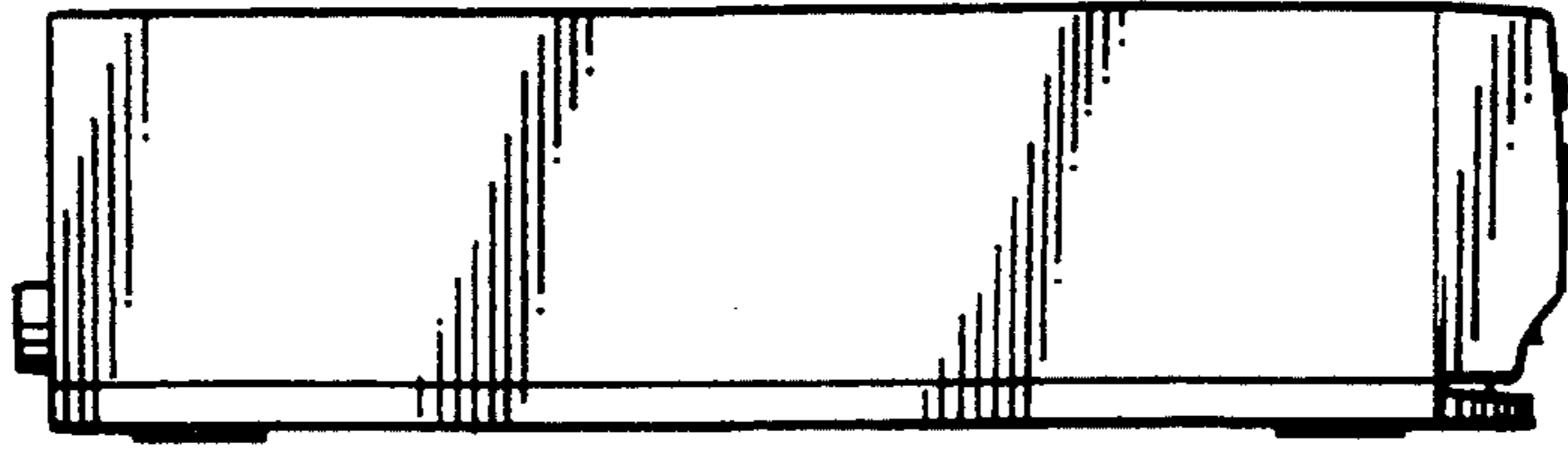


FIG. 5

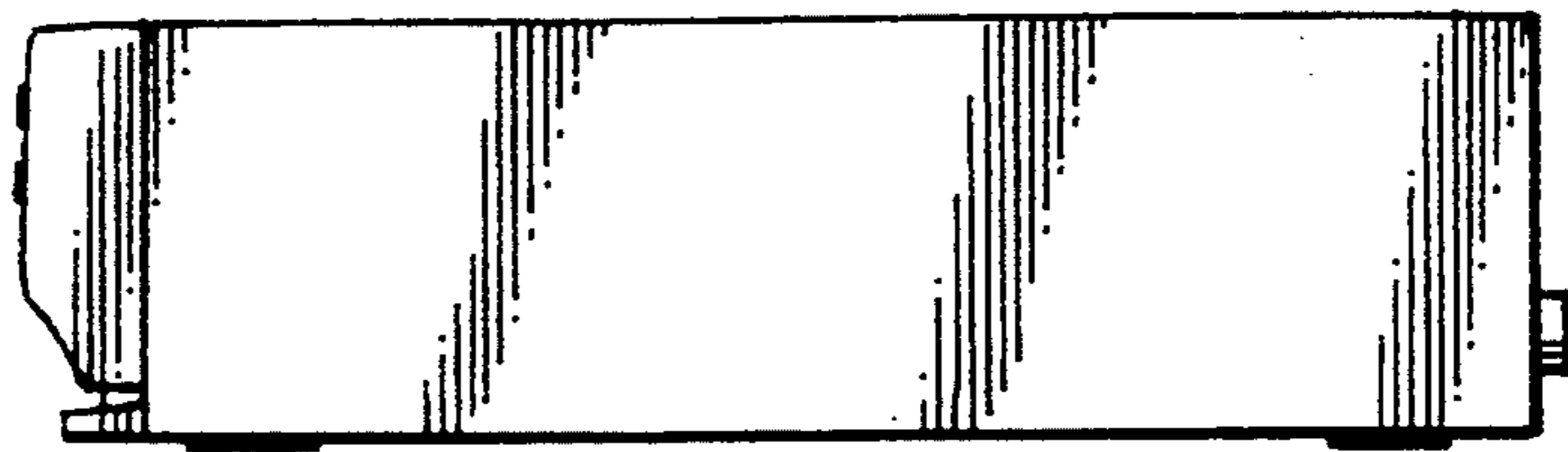


FIG. 6

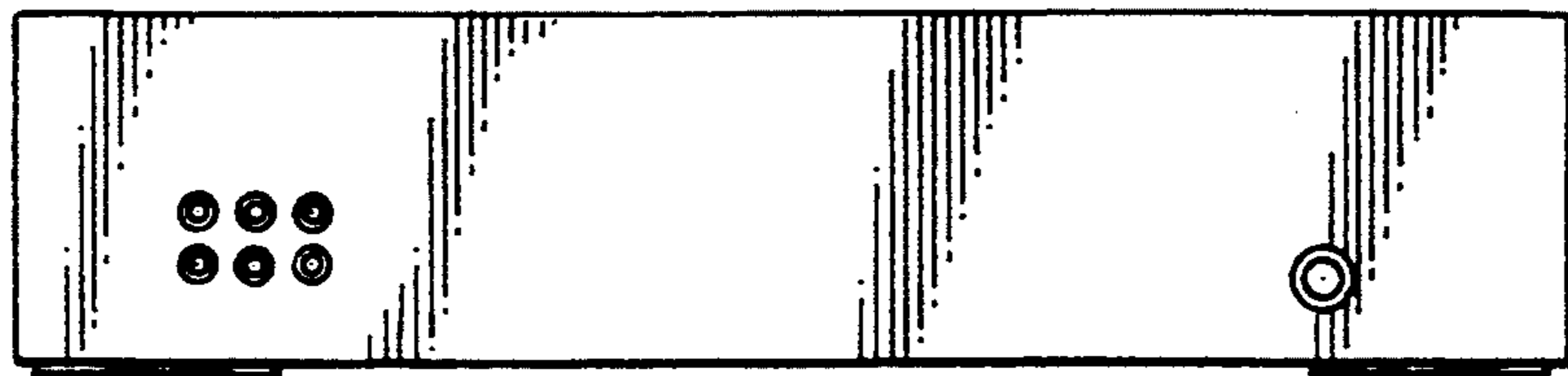


FIG. 7

