



US00D357244S

United States Patent [19]

[11] Patent Number: **Des. 357,244**

Usami et al.

[45] Date of Patent: **** Apr. 11, 1995**

[54] TELEVISION SET

[75] Inventors: **Seiji Usami; Yoshito Fujii; Masaki Iinuma**, all of Tochigi, Japan

[73] Assignee: **Sharp Kabushiki Kaisha**, Osaka, Japan

[**] Term: **14 Years**

[21] Appl. No.: **19,619**

[22] Filed: **Mar. 8, 1994**

[30] **Foreign Application Priority Data**

Oct. 7, 1993 [JP] Japan 5-30772

[52] U.S. Cl. **D14/126**

[58] Field of Search **D14/124-134, D14/299; 348/825, 836, 838**

[56] **References Cited**

U.S. PATENT DOCUMENTS

D. 315,556 3/1991 Lim D14/126

D. 336,645 6/1993 Saito et al. D14/126

D. 337,113 7/1993 Saito et al. D14/126
D. 338,668 8/1993 Saito et al. D14/129
D. 342,497 12/1993 Saito et al. D14/126
D. 342,509 12/1993 Saito et al. D14/129
D. 342,945 1/1994 Park D14/129
D. 351,157 10/1994 Usami et al. D14/129

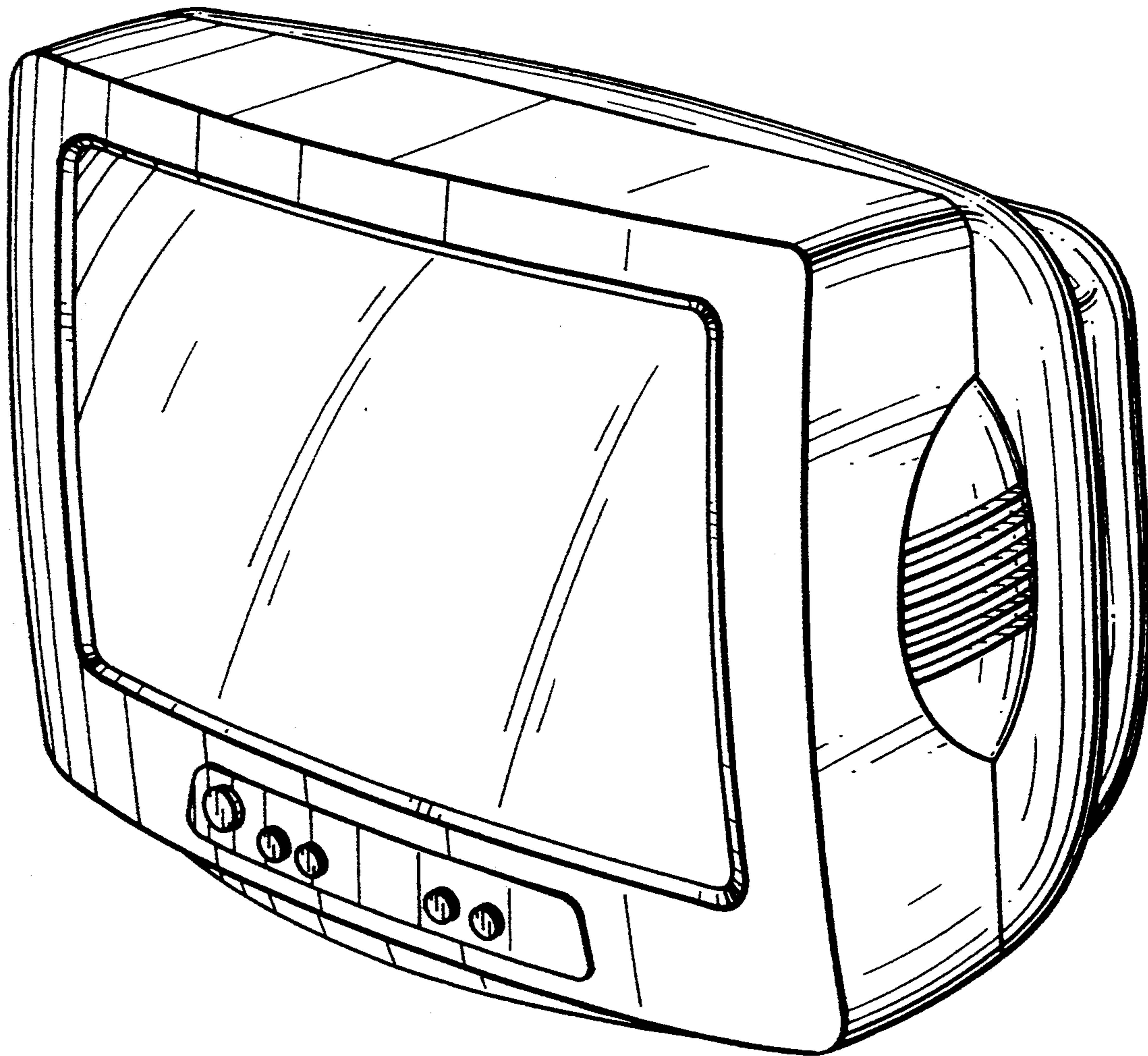
Primary Examiner—Theodore M. Shooman
Attorney, Agent, or Firm—Nixon & Vanderhye

[57] **CLAIM**

The ornamental design for a television set, as shown and described.

DESCRIPTION

FIG. 1 is a top, front and right side perspective view of a television set according to our design;
FIG. 2 is a top plan view thereof;
FIG. 3 is a front elevational view thereof;
FIG. 4 is a right side elevational view thereof;
FIG. 5 is a rear elevational view thereof;
FIG. 6 is a left side elevational view thereof; and,
FIG. 7 is a bottom plan view thereof.



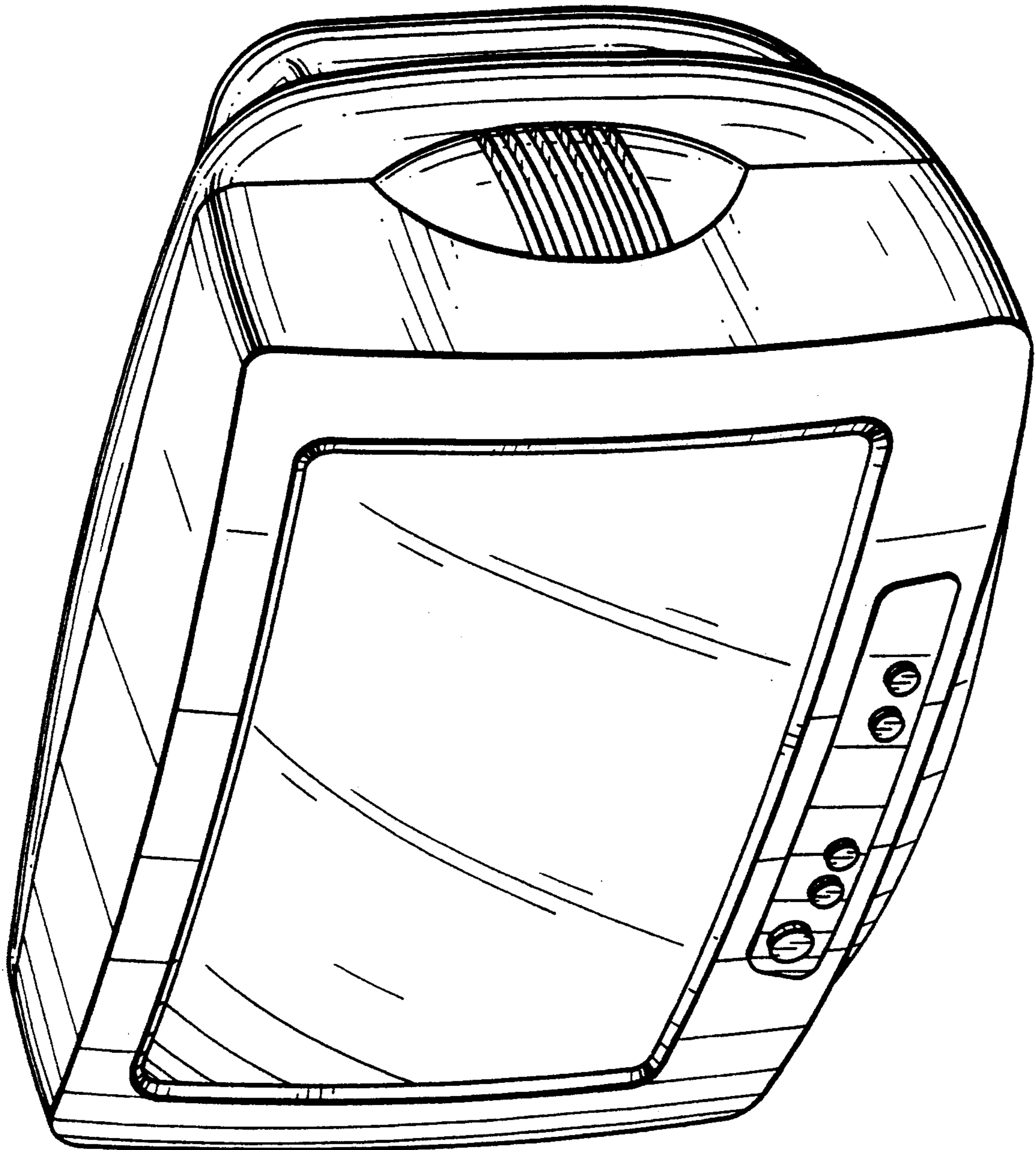


FIG. 1

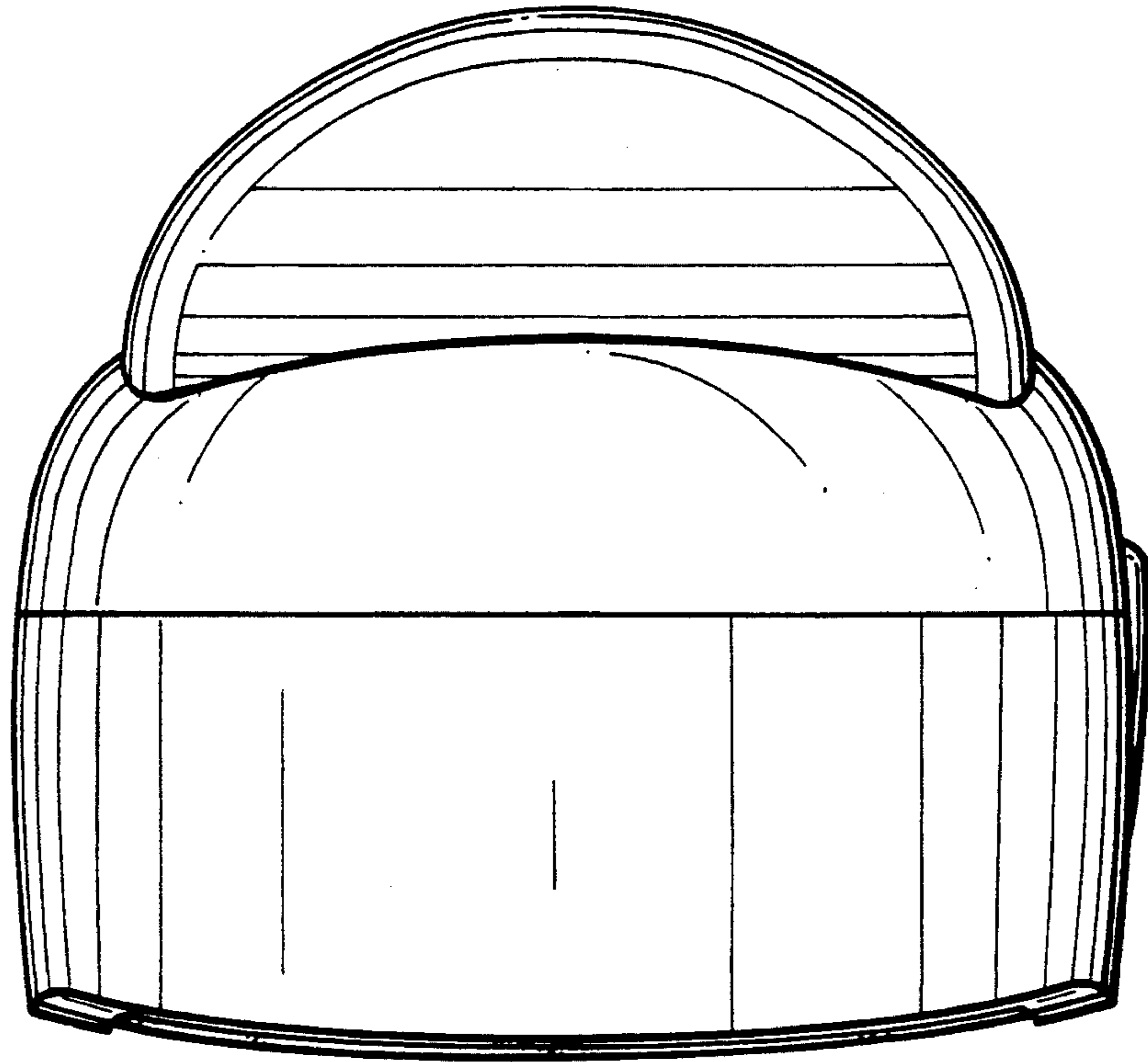
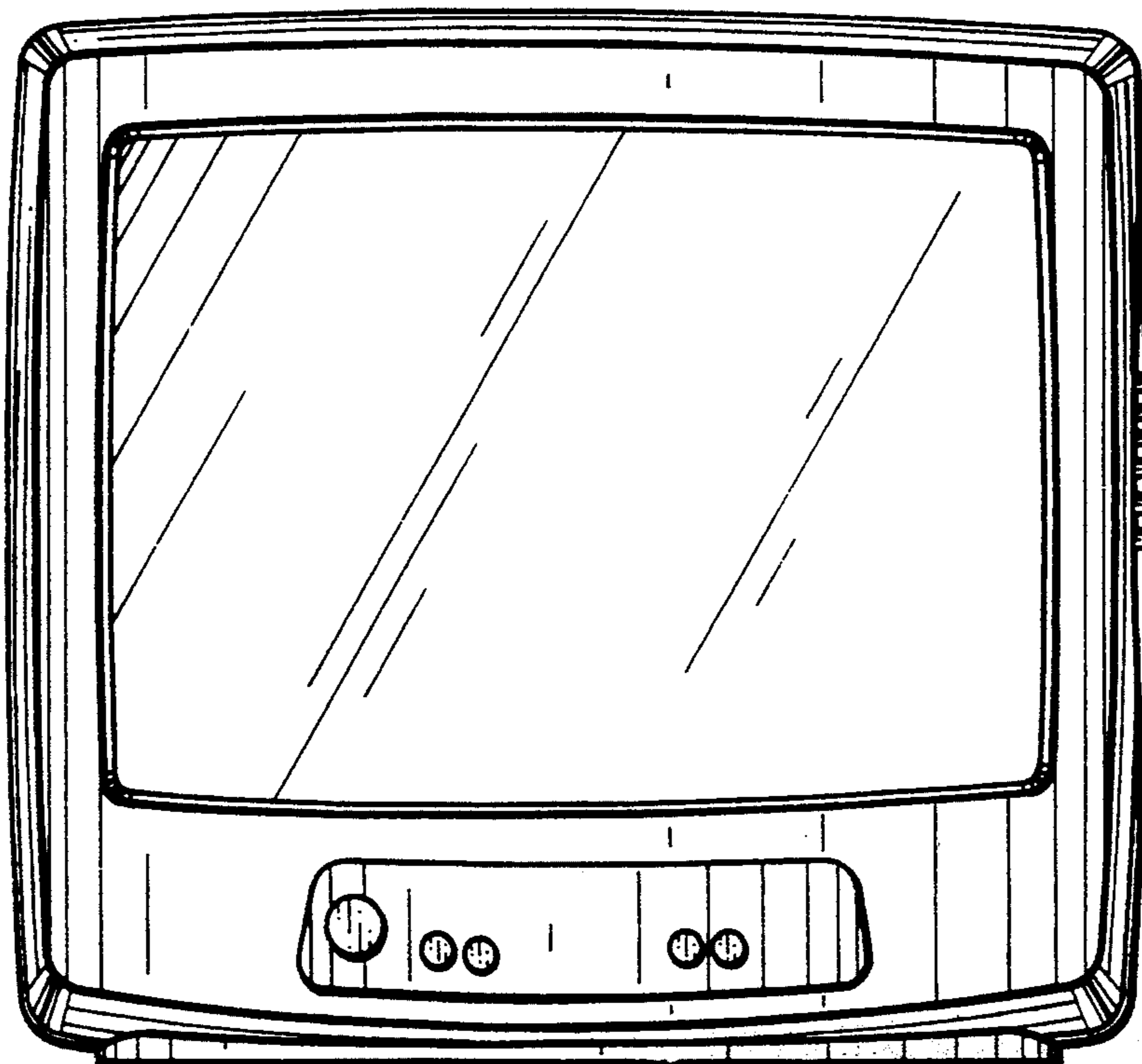


FIG. 2

FIG. 3



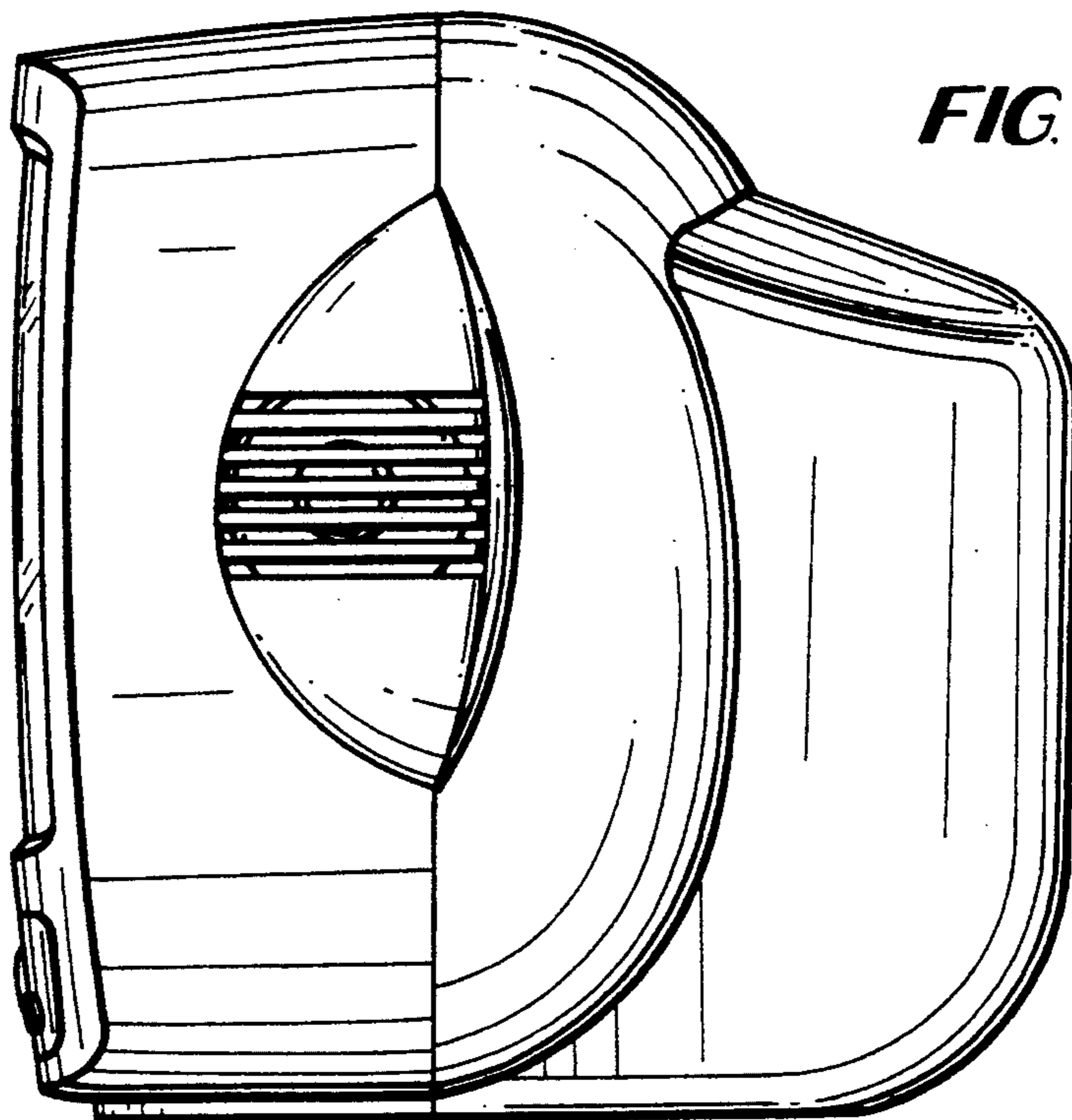


FIG. 4

FIG. 5

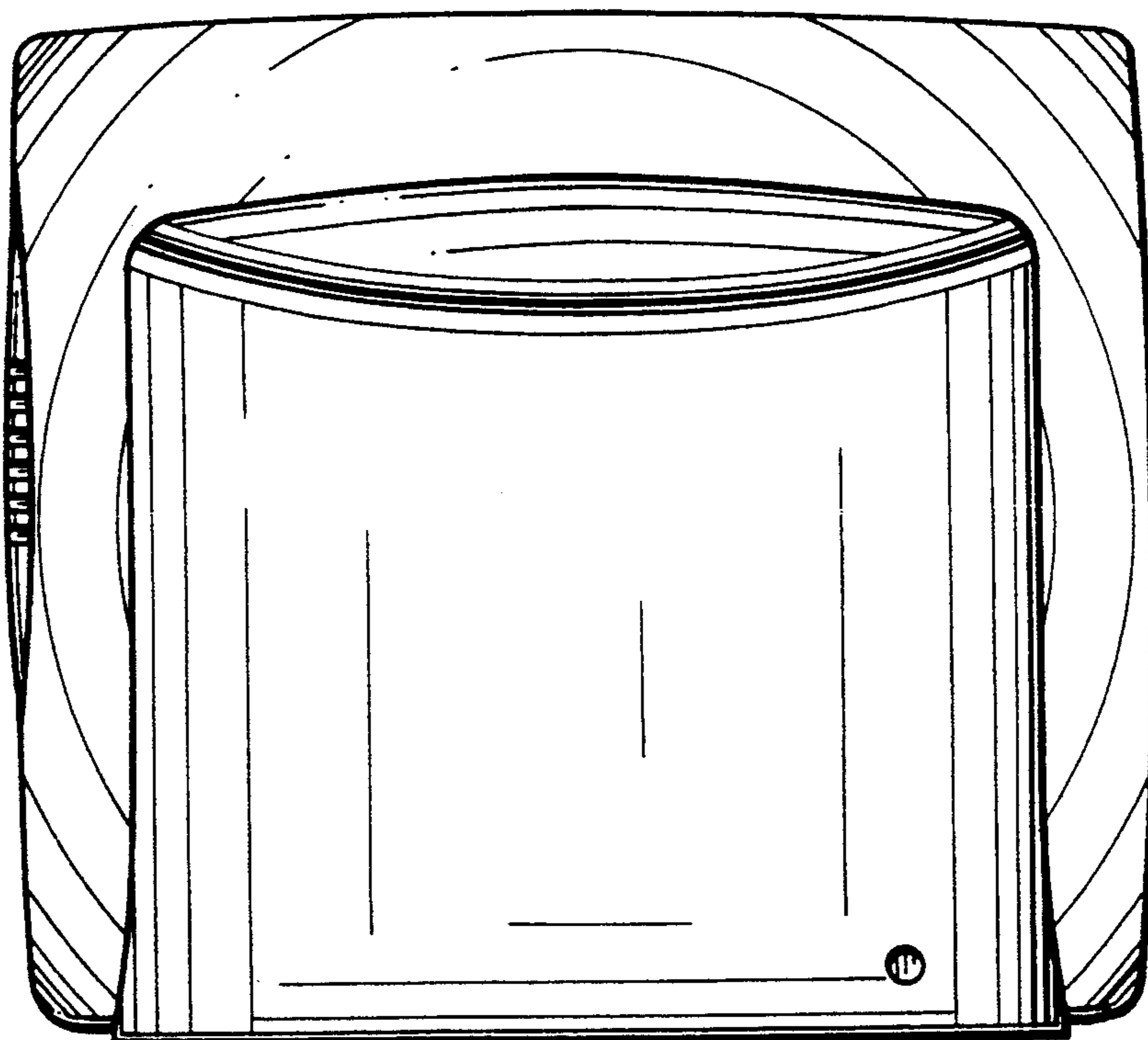


FIG. 6

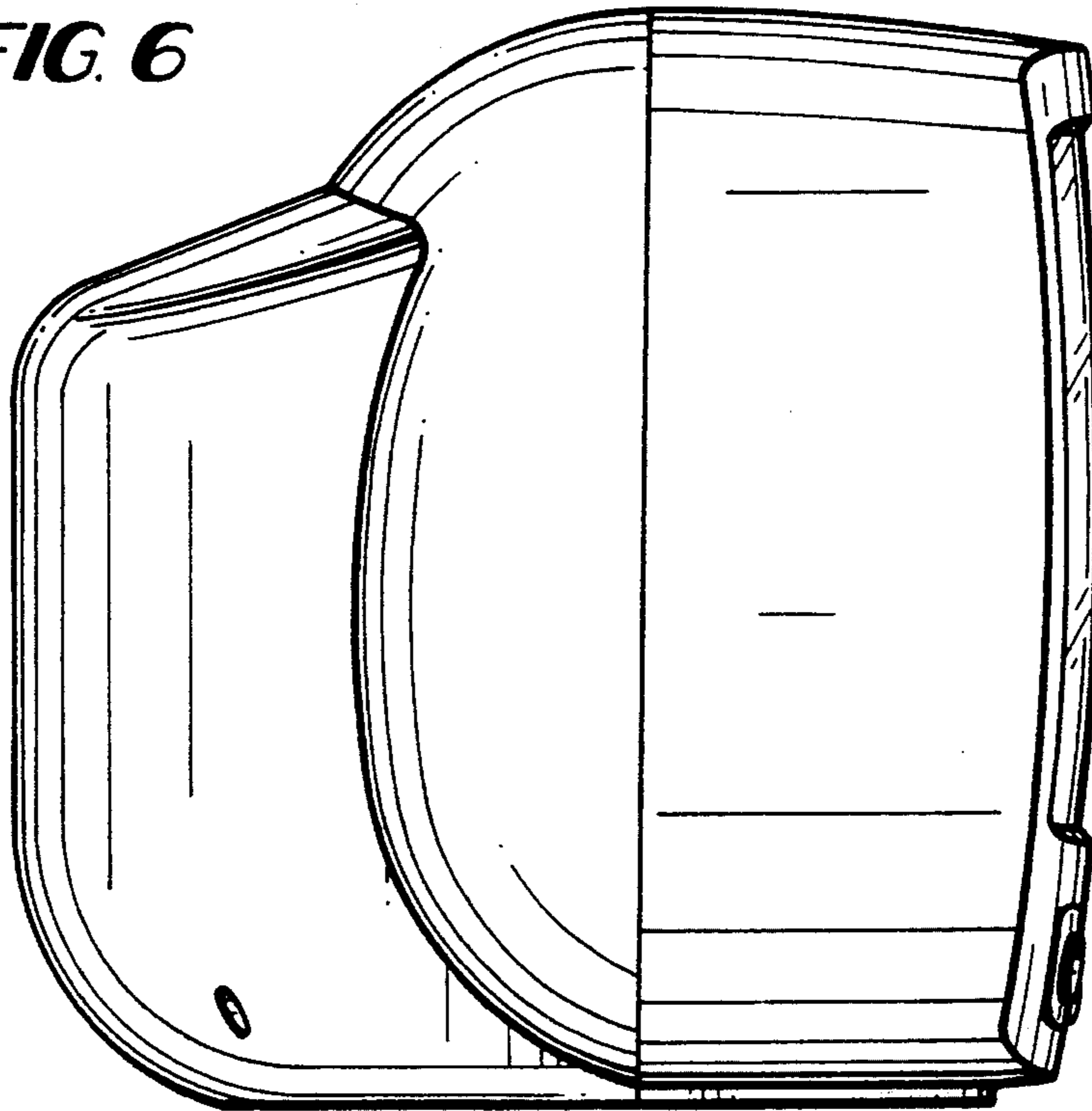


FIG. 7

