



US00D357241S

# United States Patent [19]

[11] Patent Number: Des. 357,241

Rossman et al.

[45] Date of Patent: \*\* Apr. 11, 1995

## [54] ADJUSTABLE WRIST REST

[75] Inventors: **Jon R. Rossman**, Chelmsford; **Bryan R. Hotaling**, Arlington, both of Mass.

[73] Assignee: **Curtis Manufacturing Company, Inc.**, Jaffrey, N.H.

[\*\*] Term: **14 Years**

[21] Appl. No.: **14,657**

[22] Filed: **Oct. 27, 1993**

[52] U.S. Cl. .... **D14/114**

[58] Field of Search ..... **D14/100, 114; D18/12; 248/118, 118.3, 346, 489, 917-924; 400/689-693, 715; D6/601**

## [56] References Cited

### U.S. PATENT DOCUMENTS

D. 330,018	10/1992	Miller .....	D14/114
D. 335,876	5/1993	Anello, Jr. et al. ....	D14/114
D. 336,898	6/1993	Cherubini et al. ....	D14/114
1,801,669	4/1931	Hintz et al. .	
4,481,556	11/1984	Berke et al. .	
4,482,064	11/1984	Berke et al. .	
4,545,554	10/1985	Latino et al. .	
4,913,390	4/1990	Berke .	
4,973,176	11/1990	Dietrich .	
4,976,407	12/1990	Schwartz et al. .	

*Primary Examiner*—James M. Gandy  
*Assistant Examiner*—M. H. Tung  
*Attorney, Agent, or Firm*—Richard P. Crowley

## [57] CLAIM

The ornamental design for adjustable wrist rest, as shown and described.

## DESCRIPTION

FIG. 1 is a perspective view from above of the adjustable wrist rest of our invention in a low height adjustable position; the broken line partial drawing of a computer keyboard and desk top is for illustrative purposes only and forms no part of the claimed design;

FIG. 2 is a perspective view from above of the adjustable wrist rest of our invention in a vertical height-adjustable position;

FIG. 3 is a top plan view of our design of FIG. 1;

FIG. 4 is a side elevational view of our design of FIG. 1;

FIG. 5 is a side elevational view of the opposite side of our design of FIG. 1;

FIG. 6 is a side elevational view of our design of FIG. 2;

FIG. 7 is a side elevational view of the opposite side of our design of FIG. 2;

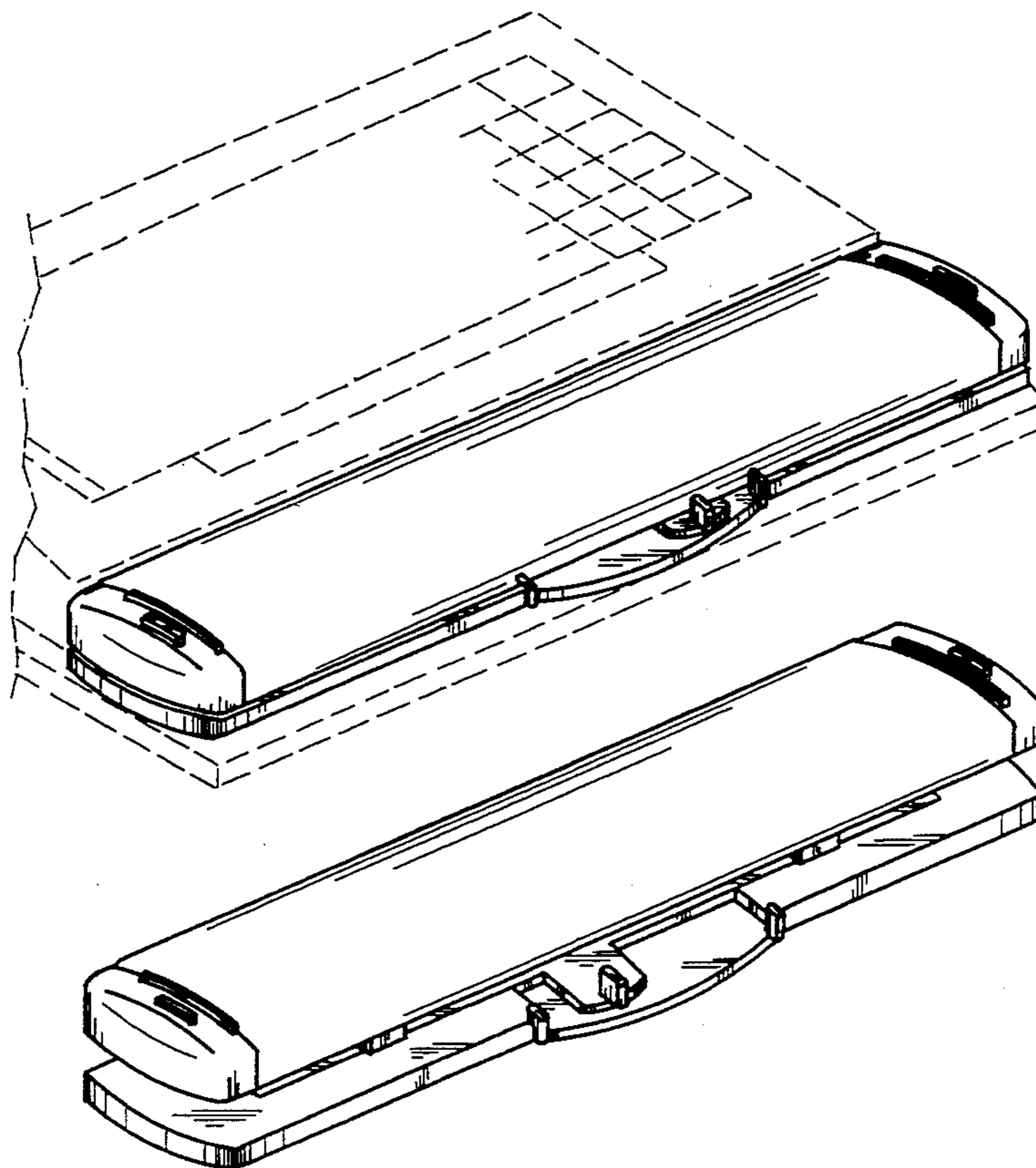
FIG. 8 is a bottom plan view of our design of FIG. 1;

FIG. 9 is a front elevational view of our design of FIG. 1;

FIG. 10 is a back elevational view of our design of FIG. 1;

FIG. 11 is a front elevational view of our design of FIG. 2; and,

FIG. 12 is a back elevational view of our design of FIG. 2.



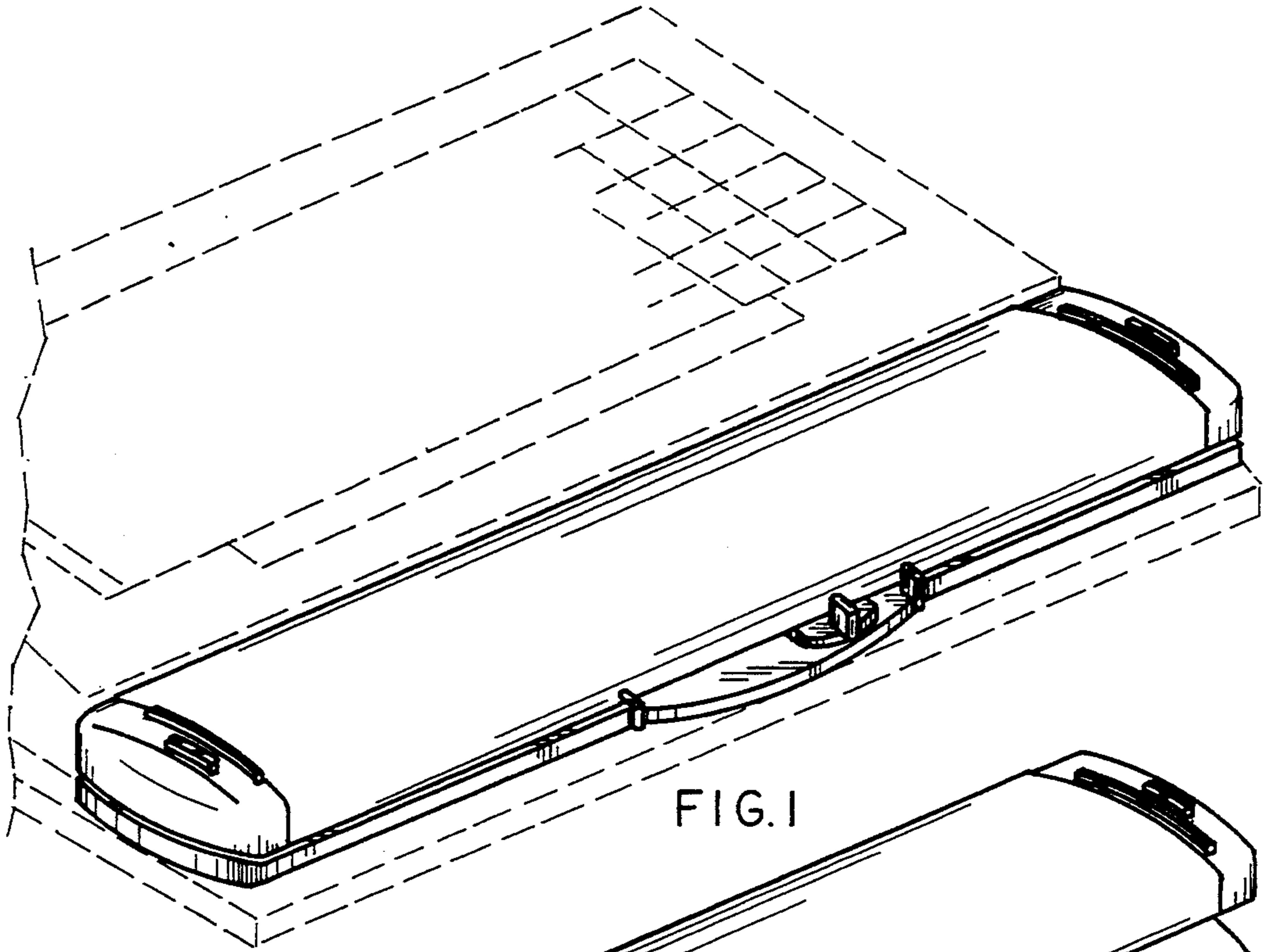


FIG. 1

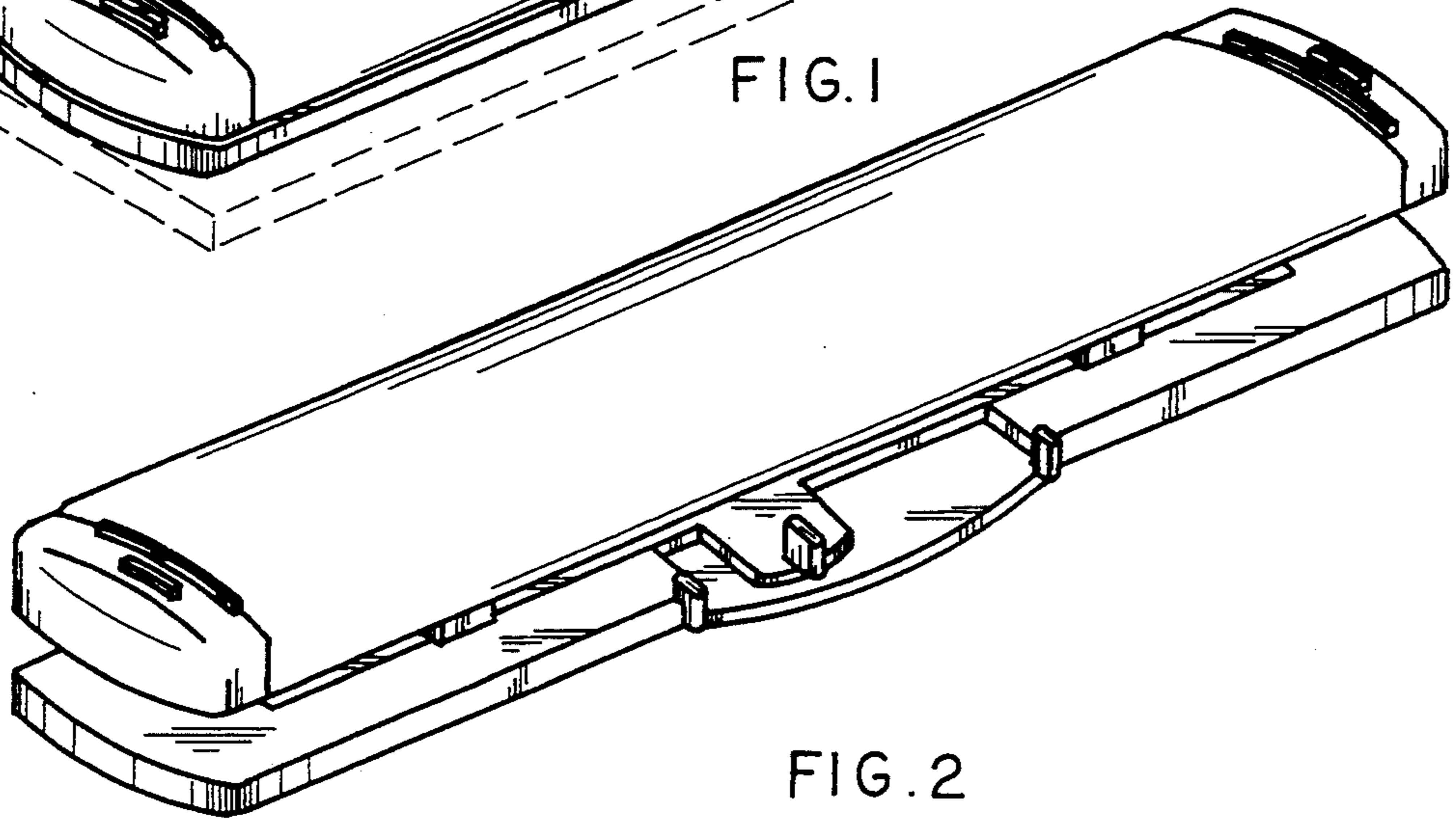


FIG. 2

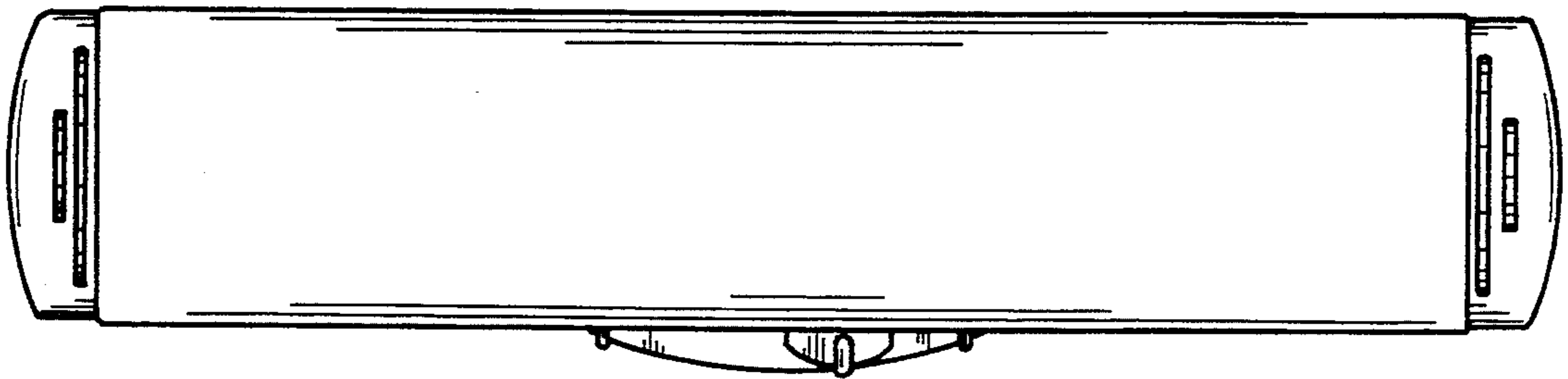


FIG. 3

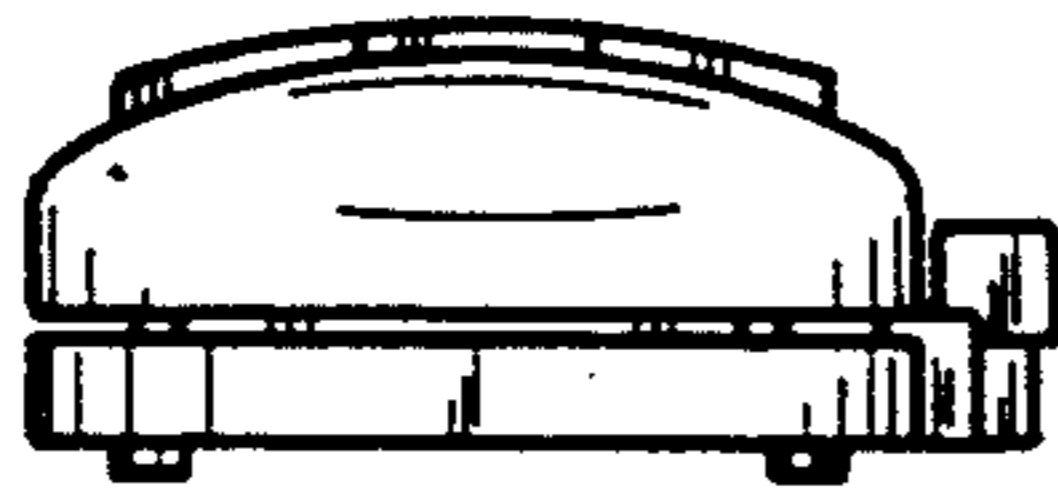


FIG. 4

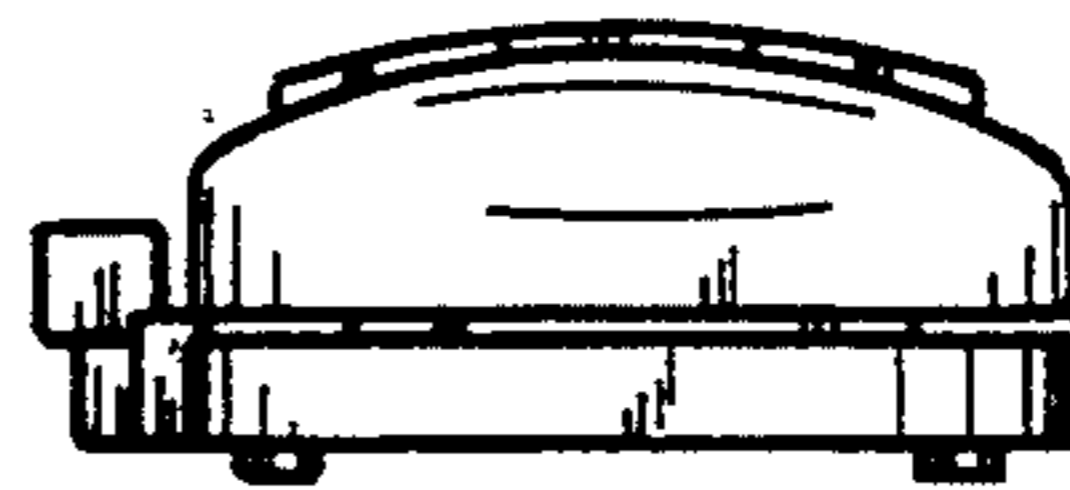


FIG. 5

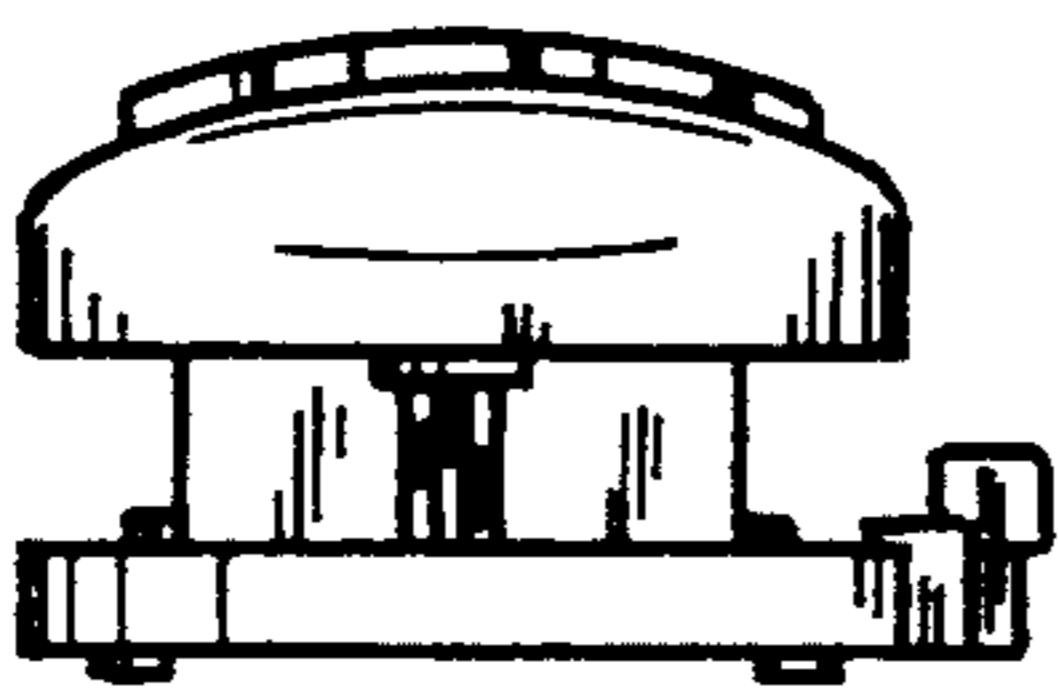


FIG. 6

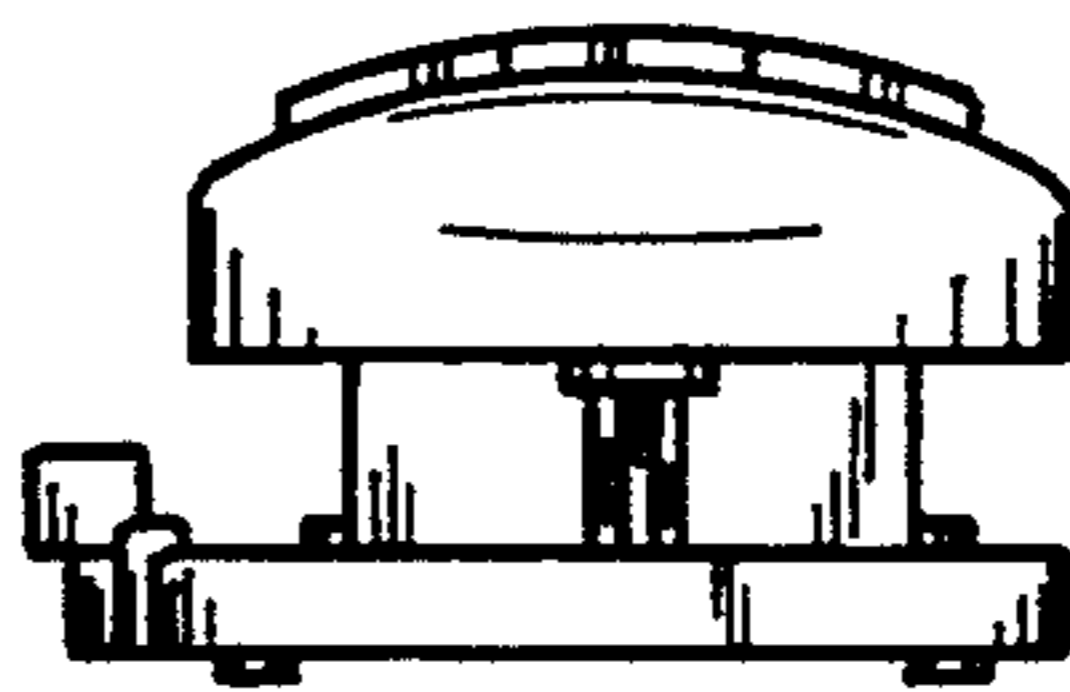


FIG. 7

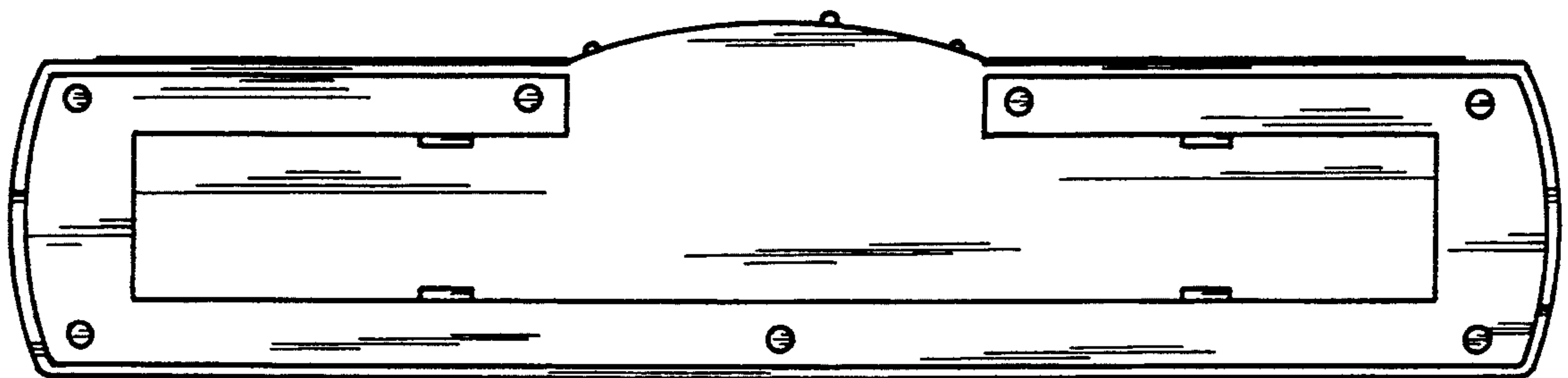


FIG. 8

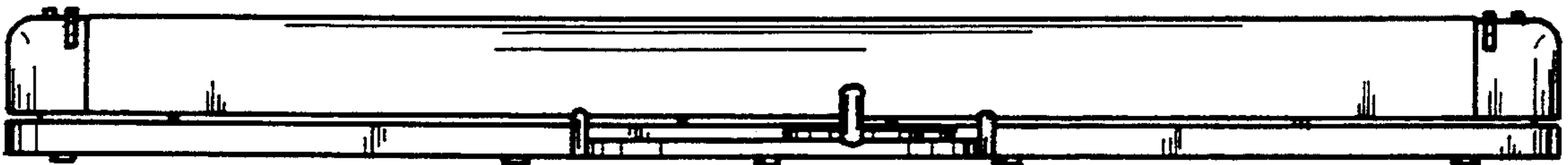


FIG. 9

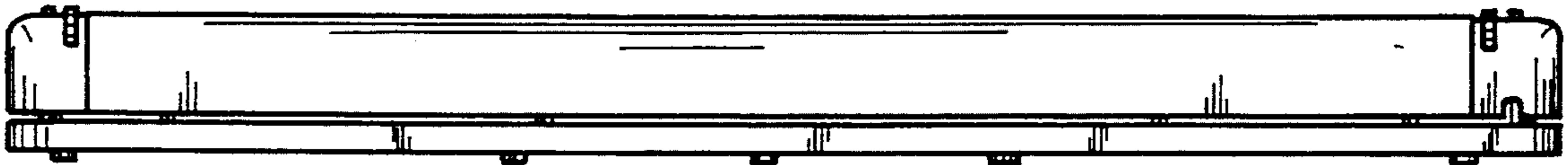


FIG. 10

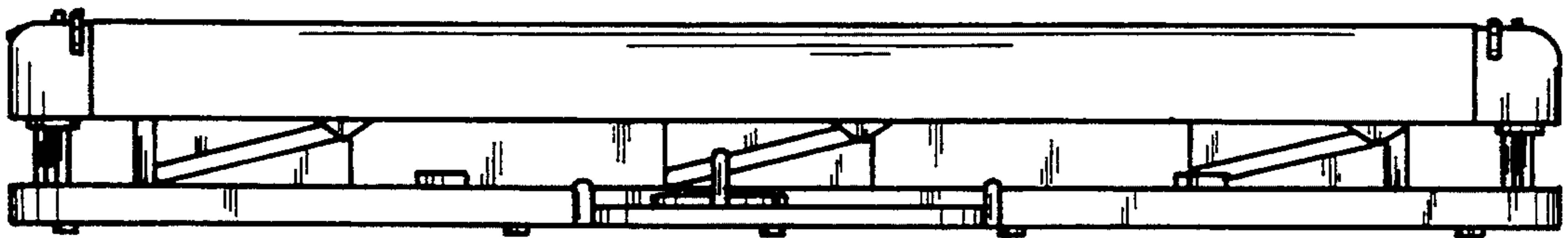


FIG. 11

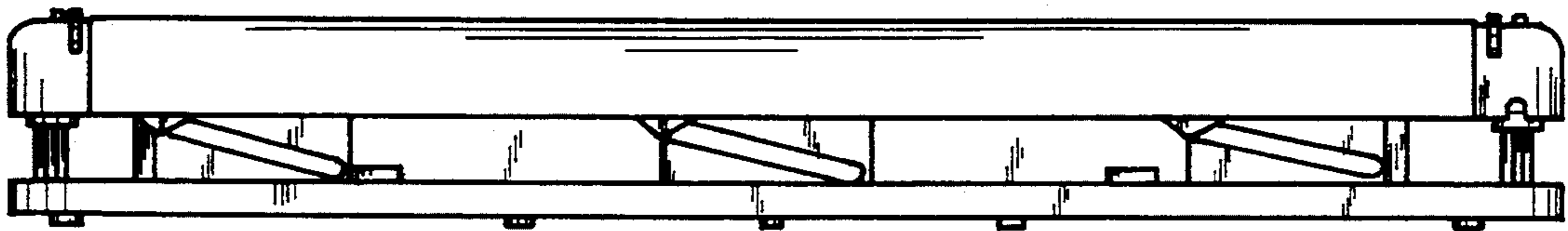


FIG. 12