



US00D357238S

United States Patent [19]

[11] Patent Number: **Des. 357,238**

Zirinsky

[45] Date of Patent: **** Apr. 11, 1995**

[54] **HAND OPERATED CONTROL FOR MULTIPLE FUNCTIONS**

4,952,919 8/1990 Nippoldt 74/471 XY
5,063,289 11/1991 Jasinski et al. 345/167
5,268,675 12/1993 Garthwaite et al. 345/163

[76] Inventor: **Mark A. Zirinsky**, 5390 E. 39th Ave., Denver, Colo. 80207

Primary Examiner—B. J. Bullock
Attorney, Agent, or Firm—Edwin H. Crabtree; Donald W. Margolis

[**] Term: **14 Years**

[21] Appl. No.: **531**

[57] **CLAIM**

[22] Filed: **Oct. 16, 1992**

The ornamental design for a hand operated control for multiple functions, as shown and described.

[52] U.S. Cl. **D14/114**

[58] Field of Search D14/114; D21/48; 364/190; 340/163, 167; 74/741 XY; 273/148 B, 438

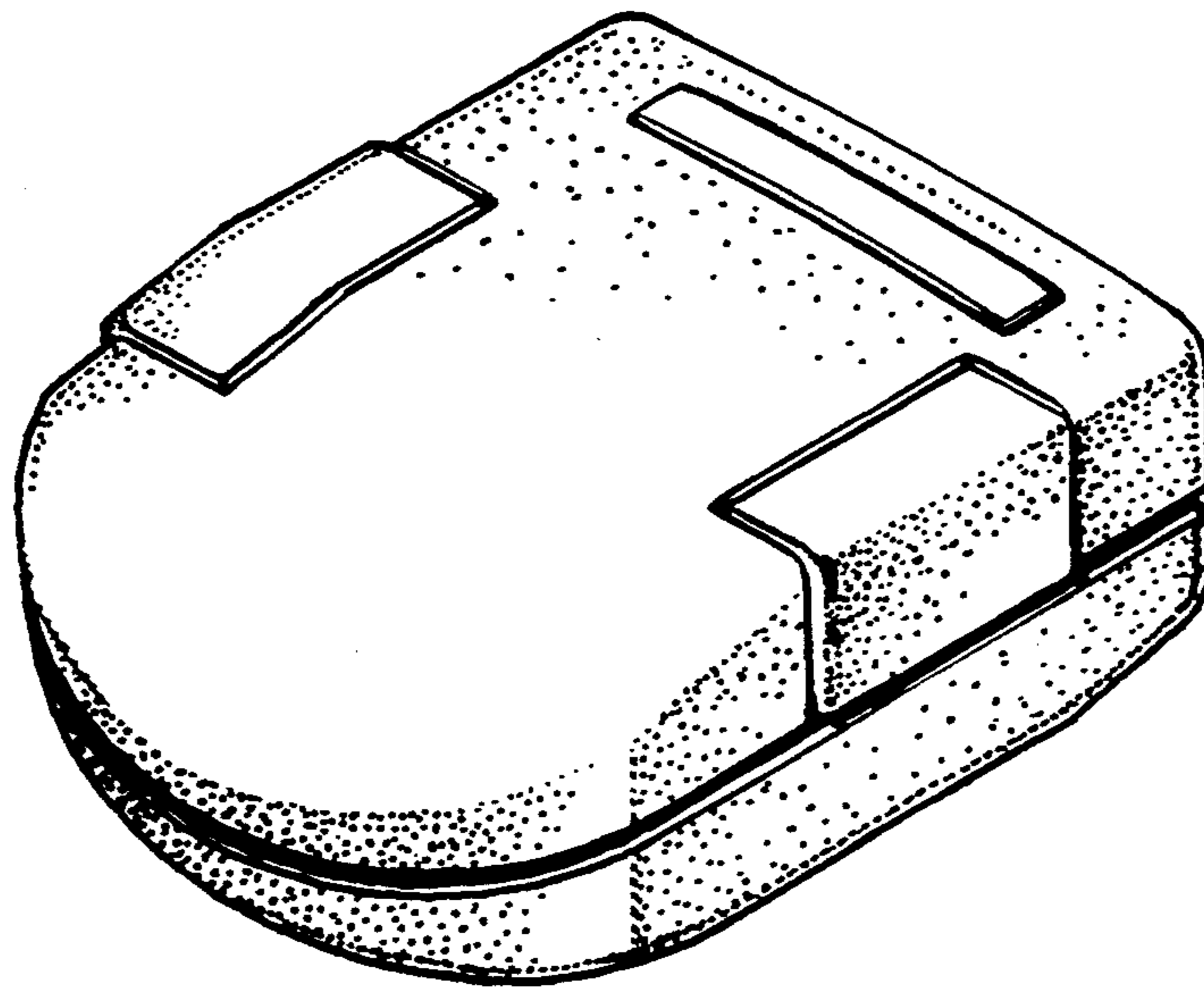
DESCRIPTION

[56] **References Cited**

U.S. PATENT DOCUMENTS

D. 291,318 8/1987 Kim D14/114
D. 335,656 5/1993 Garthwaite et al. D14/114
4,538,476 9/1985 Luque 273/148 B
4,738,417 4/1988 Wenger 74/471 XY

FIG. 1 is a top view of a hand operated control for multiple functions showing my new design; FIG. 2 is a bottom view the device; FIG. 3 is a front view of the device; FIG. 4 is a rear view of the device; FIG. 5 is a right side view thereof; FIG. 6 is a left side view thereof; and, FIG. 7 is a perspective view of the new design.



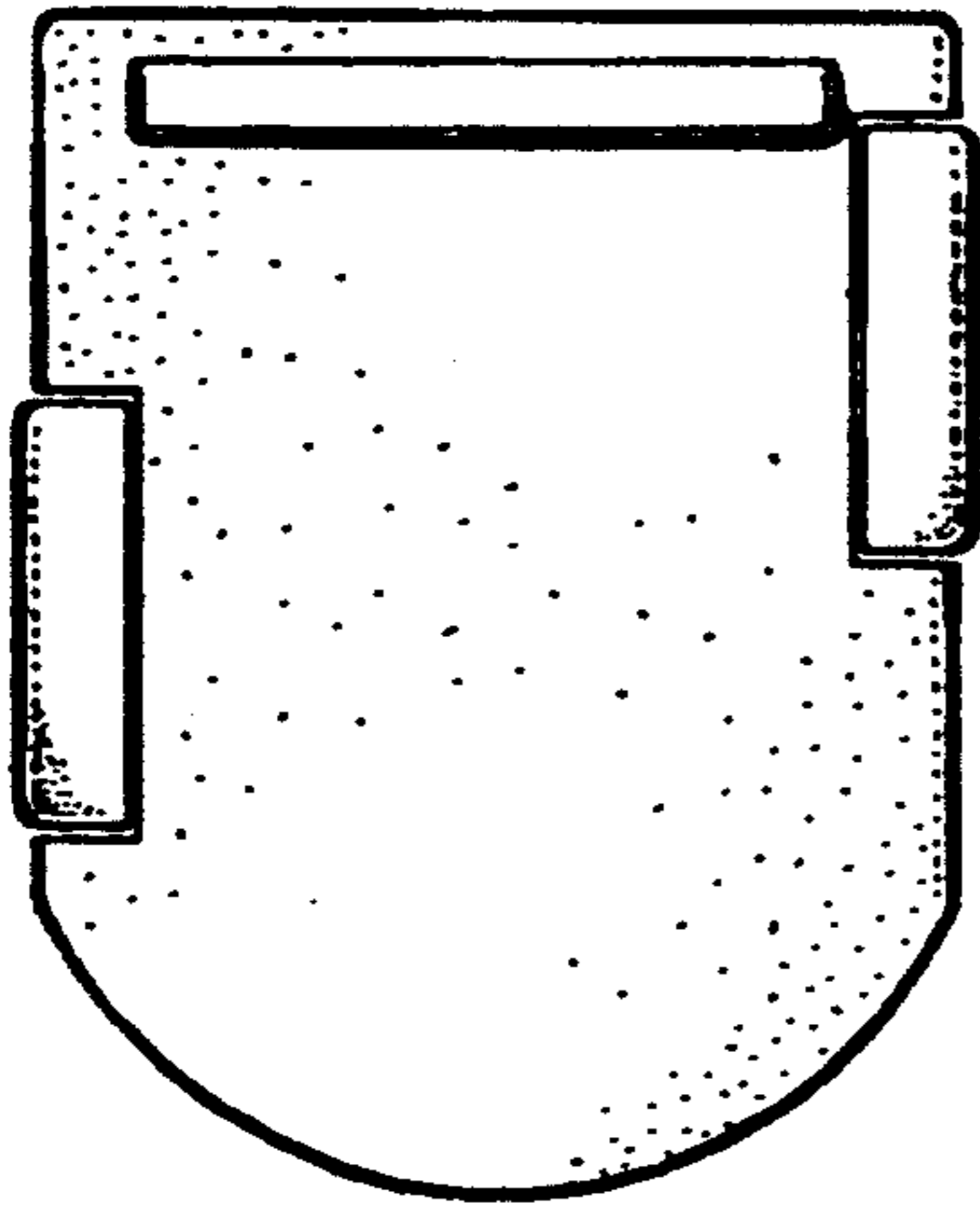


FIG. 1

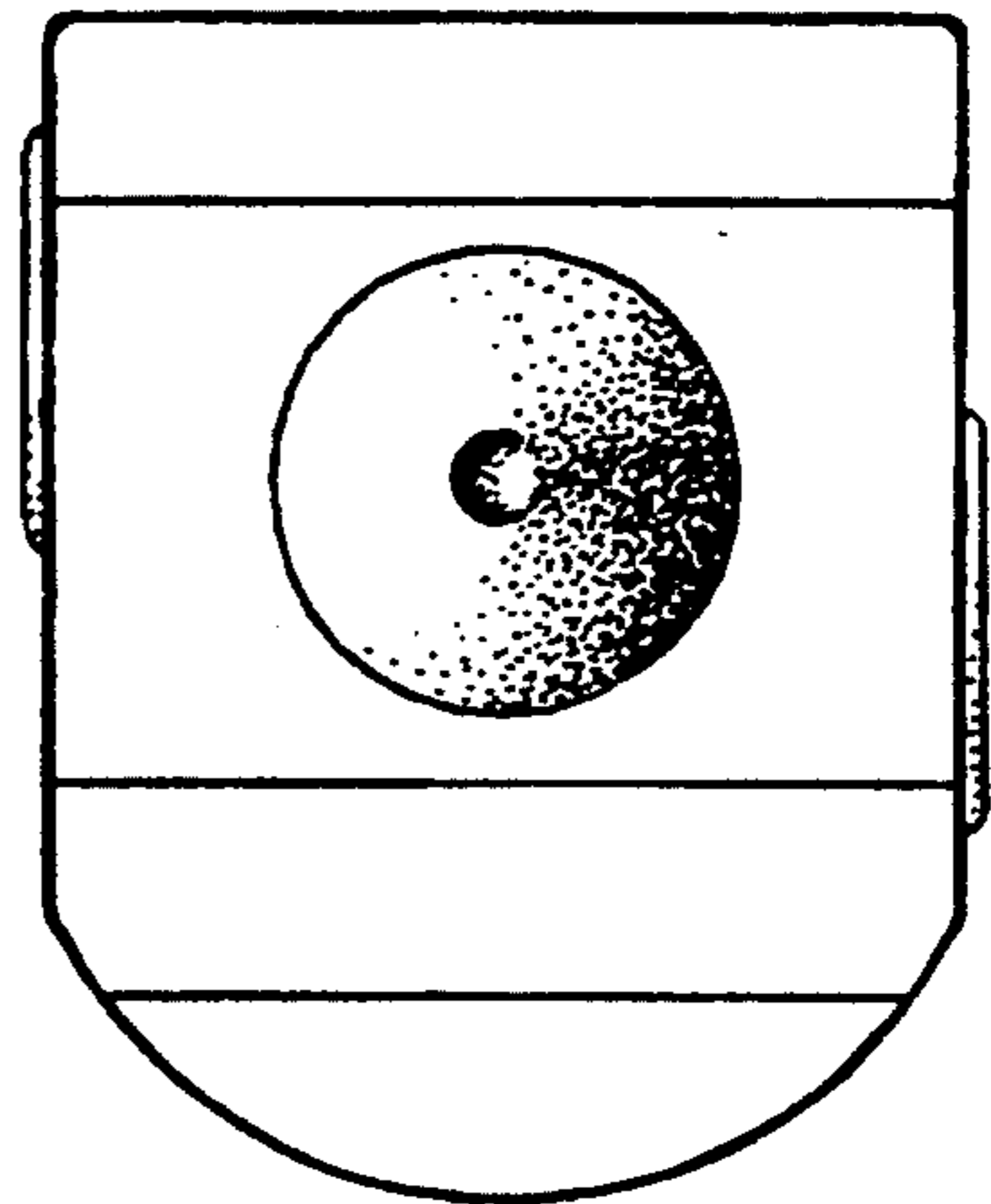


FIG. 2

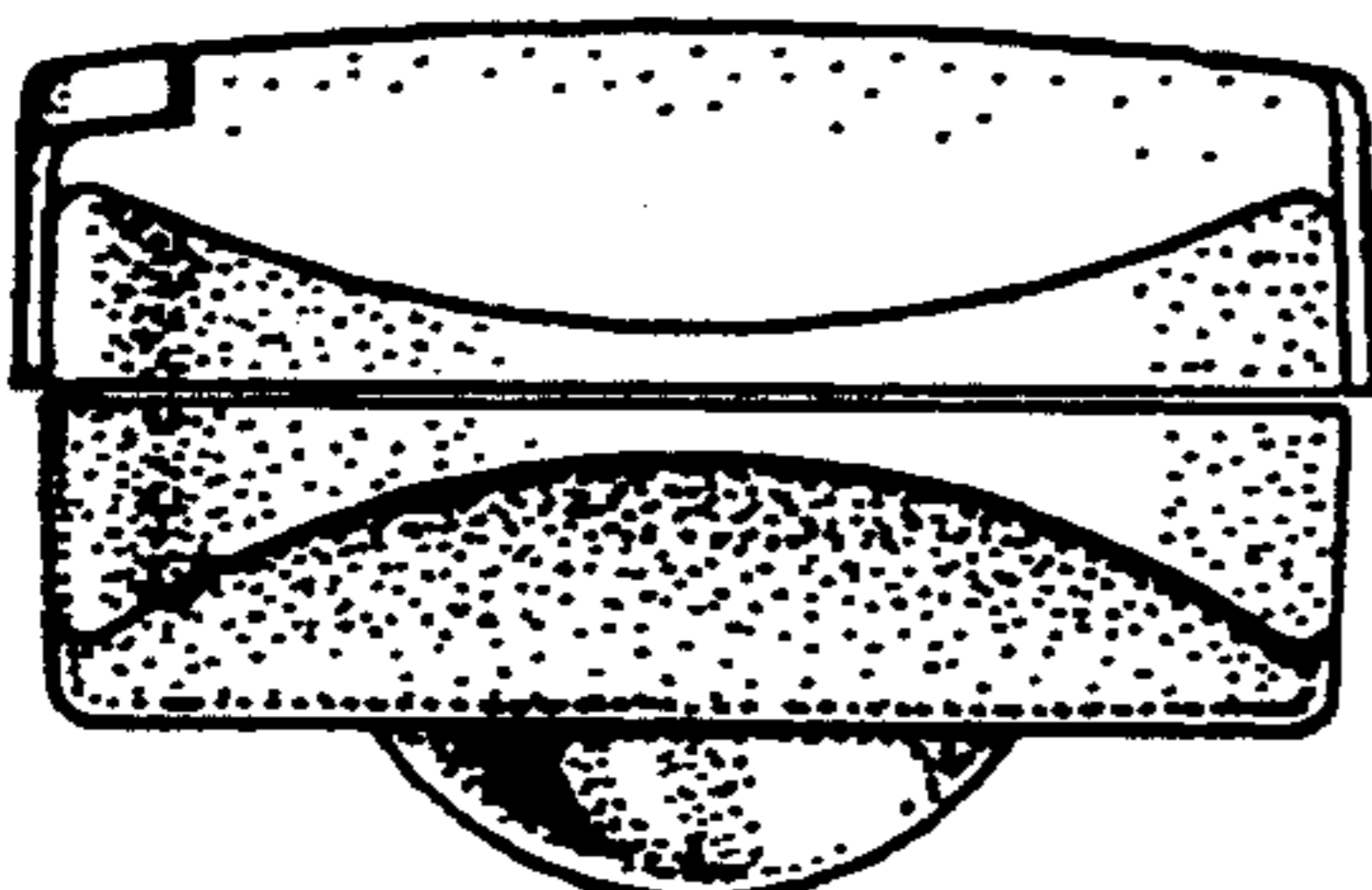


FIG. 3

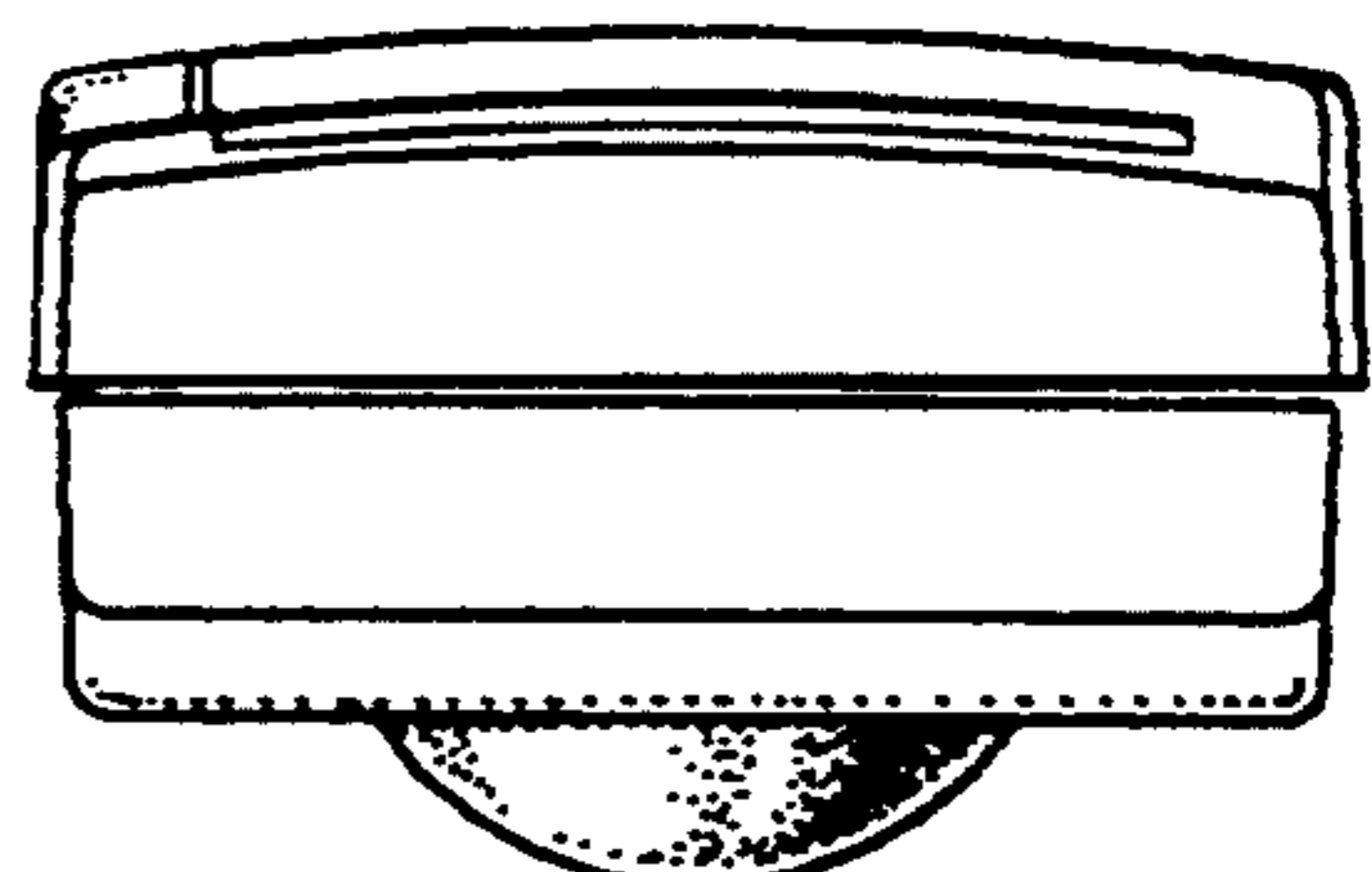


FIG. 4

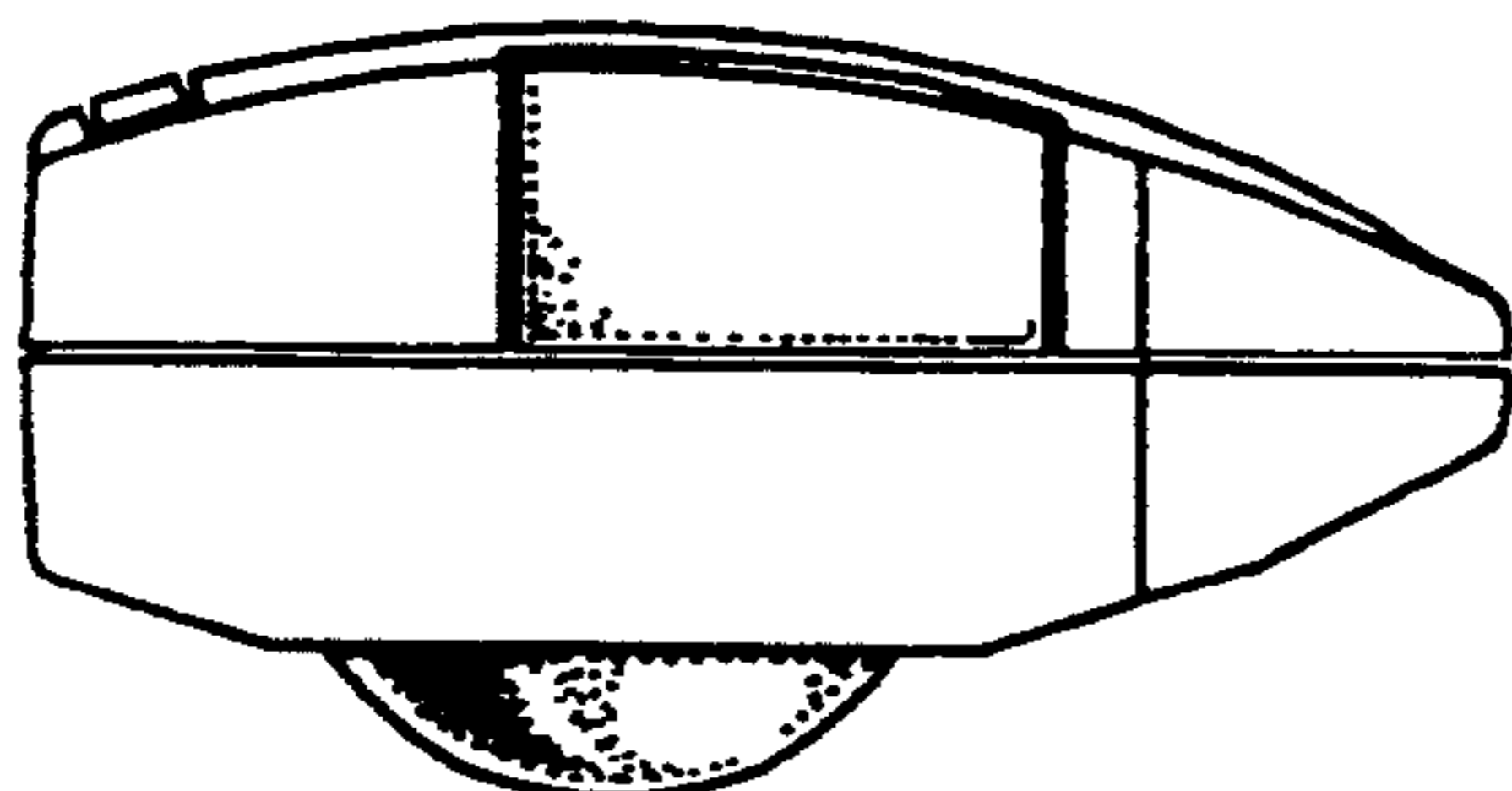


FIG. 5

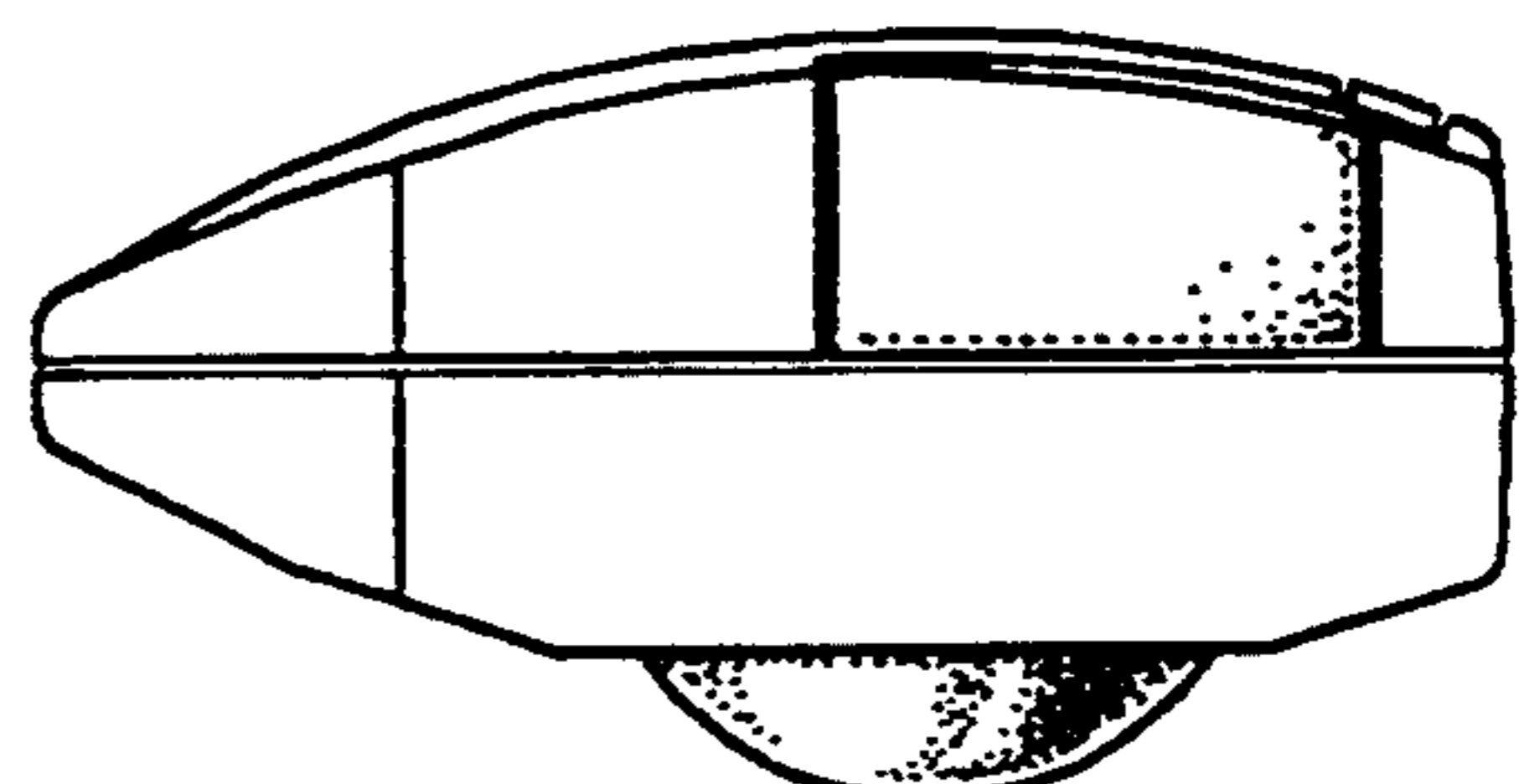


FIG. 6

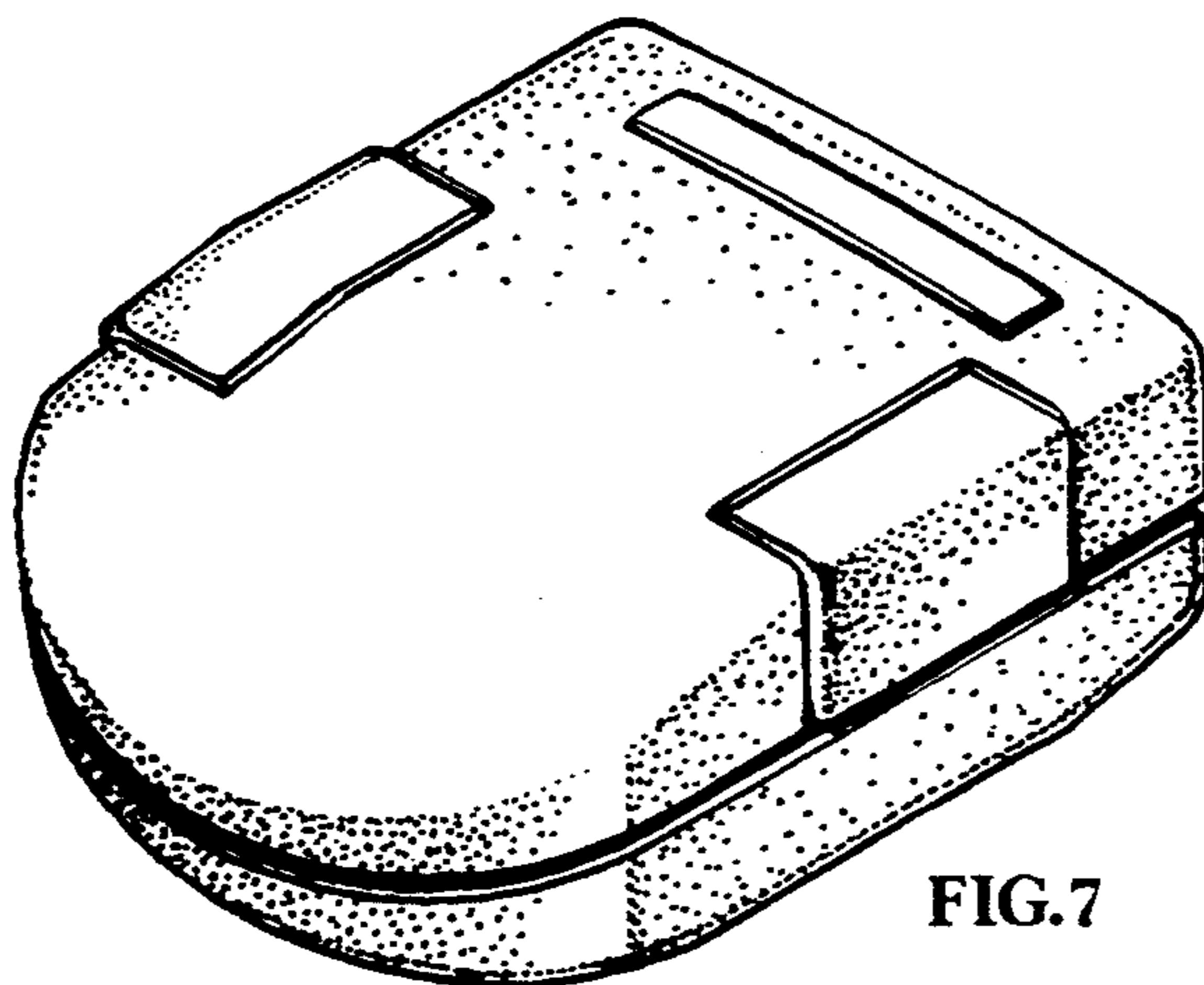


FIG. 7