



US00D357233S

# United States Patent [19]

[11] Patent Number: **Des. 357,233**

**Merino**

[45] Date of Patent: **\*\* Apr. 11, 1995**

## [54] COMPUTER HOUSING

## DESCRIPTION

- [75] Inventor: **Tristan A. Merino, Austin, Tex.**
- [73] Assignee: **International Business Machines Corporation, Armonk, N.Y.**
- [\*\*] Term: **14 Years**
- [21] Appl. No.: **14,975**
- [22] Filed: **Nov. 5, 1993**
- [52] U.S. Cl. .... **D14/100**
- [58] Field of Search ..... **D14/100, 102, 107-109, D14/125; D13/162, 184, 199; 360/97.01, 97.04, 98.01, 99.01, 99.12; 361/600, 622, 724-728**

FIG. 1 is a top plan view of a computer housing with the front panel cover being open;  
 FIG. 2 is a top plan view thereof, the front panel cover being closed;  
 FIG. 3 is a bottom plan view thereof, the front panel cover being open;  
 FIG. 4 is a bottom plan view thereof, the front panel cover being closed;  
 FIG. 5 is a right side elevational view thereof the front panel cover being open;  
 FIG. 6 is a right side elevational view thereof the front panel cover being closed;  
 FIG. 7 is a left side elevational view thereof the front panel cover being open;  
 FIG. 8 is a left side elevational view thereof the front panel cover being closed;  
 FIG. 9 is a front elevational view thereof the front panel cover being open;  
 FIG. 10 is a front elevational view thereof the front panel cover being closed;  
 FIG. 11 is a top, front, right side perspective view thereof, the front panel cover being open;  
 FIG. 12 is a top, front, right side perspective view thereof, the front panel cover being closed;  
 FIG. 13 is a bottom, front, left side perspective view thereof, the front panel cover being open; and,  
 FIG. 14 is a bottom, front, left side perspective view thereof, the front panel cover being closed.

## [56] References Cited

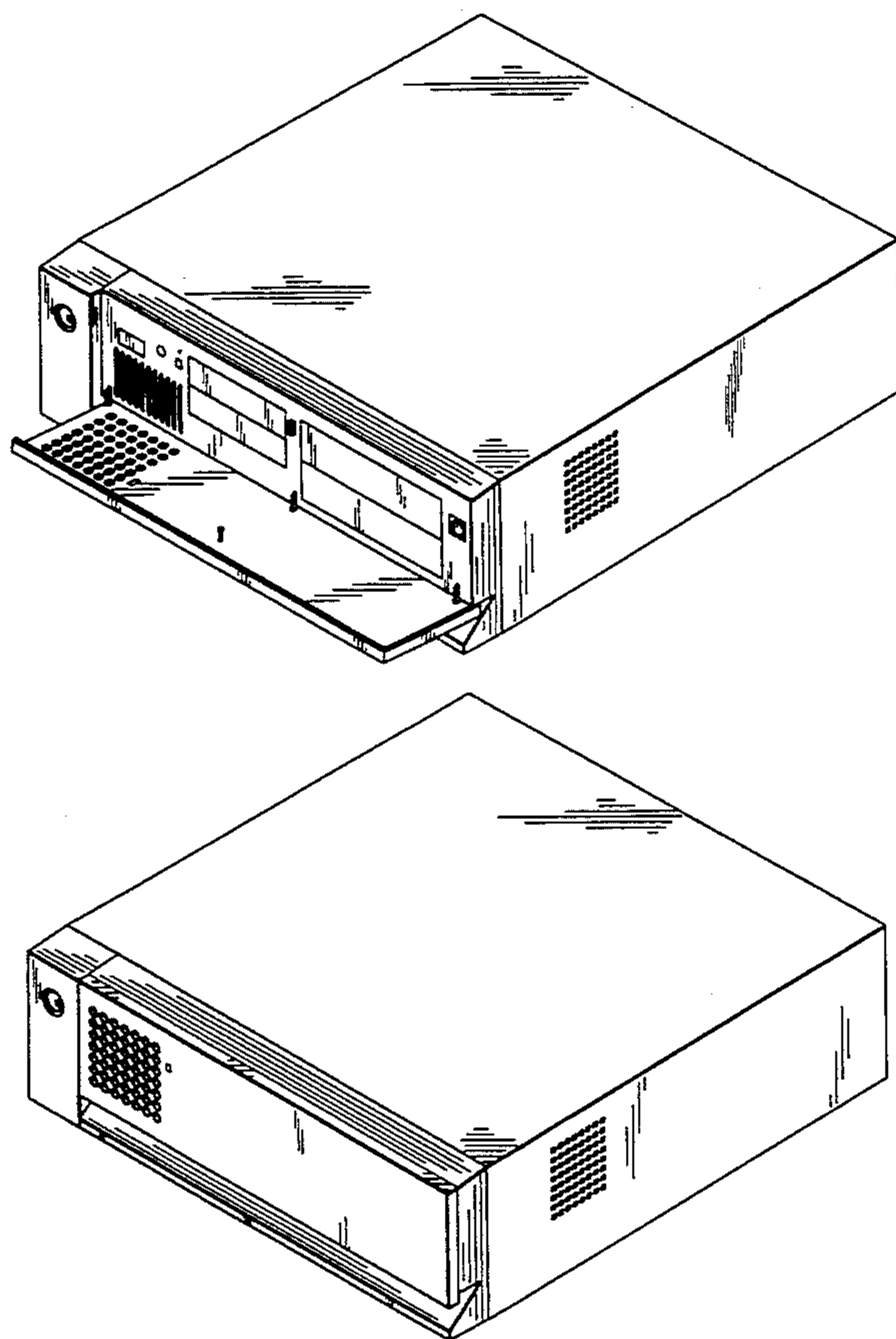
### U.S. PATENT DOCUMENTS

D. 313,230	12/1990	Isaacs	.....	D14/125
D. 320,978	10/1991	Cronch et al.	.....	D14/100
D. 340,444	10/1993	Kuba et al.	.....	D14/100
D. 346,157	4/1994	Jordan, III	.....	D14/100
D. 347,420	5/1994	Yamazaki	.....	D14/100

*Primary Examiner*—Freda S. Nunn  
*Attorney, Agent, or Firm*—Paul S. Drake

## [57] CLAIM

The ornamental design for a computer housing, as shown and described.



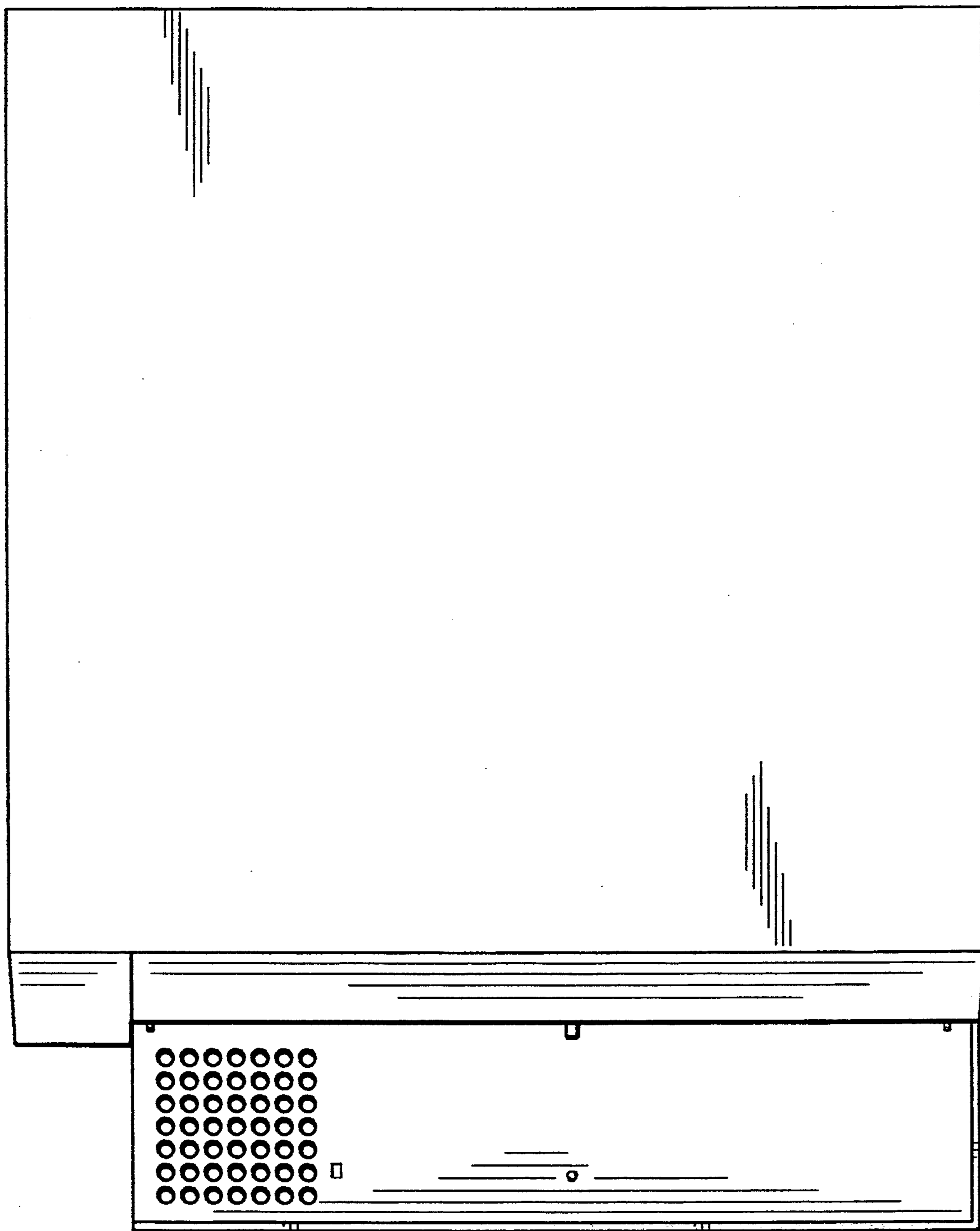


FIG. 1

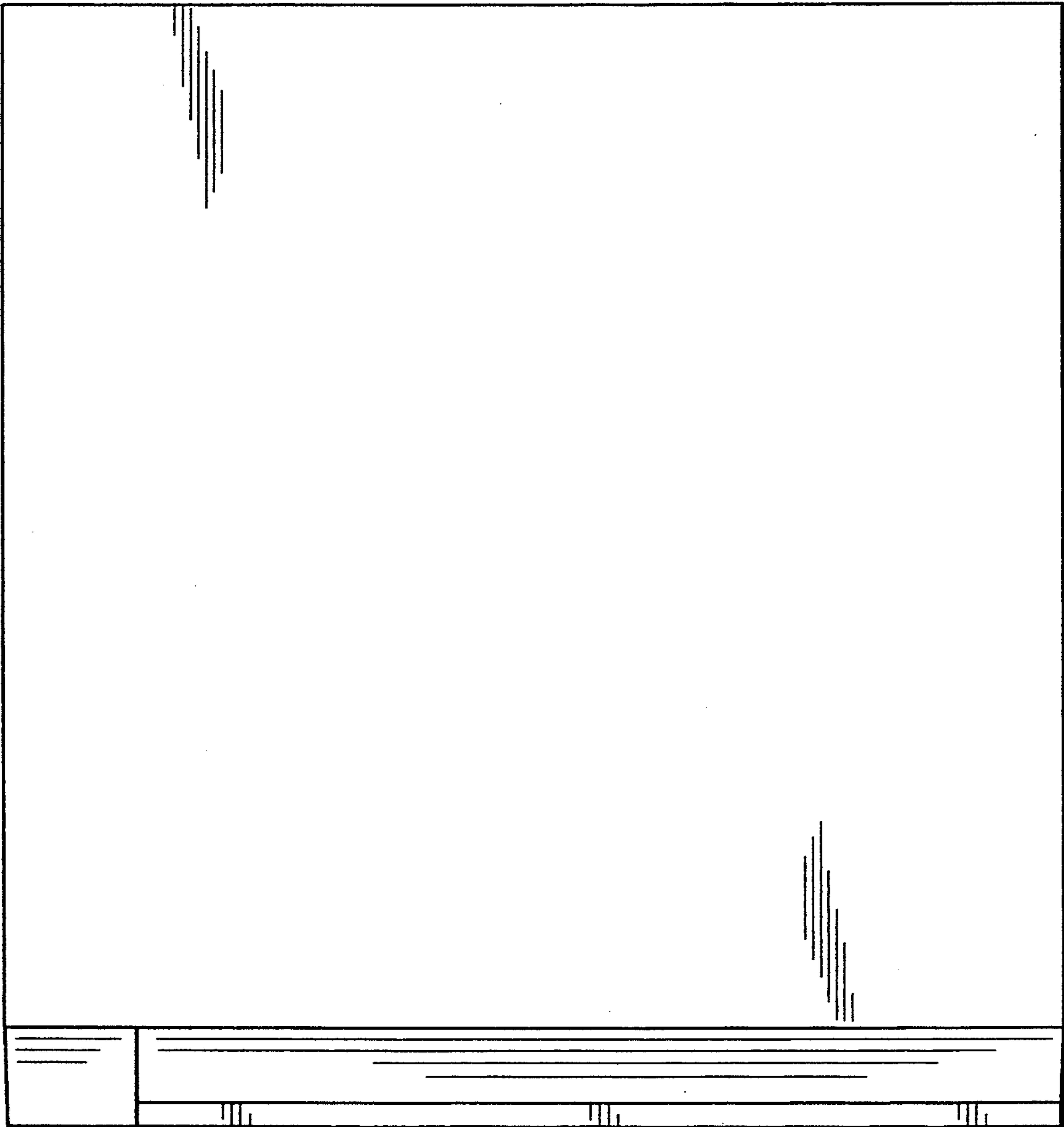


FIG. 2

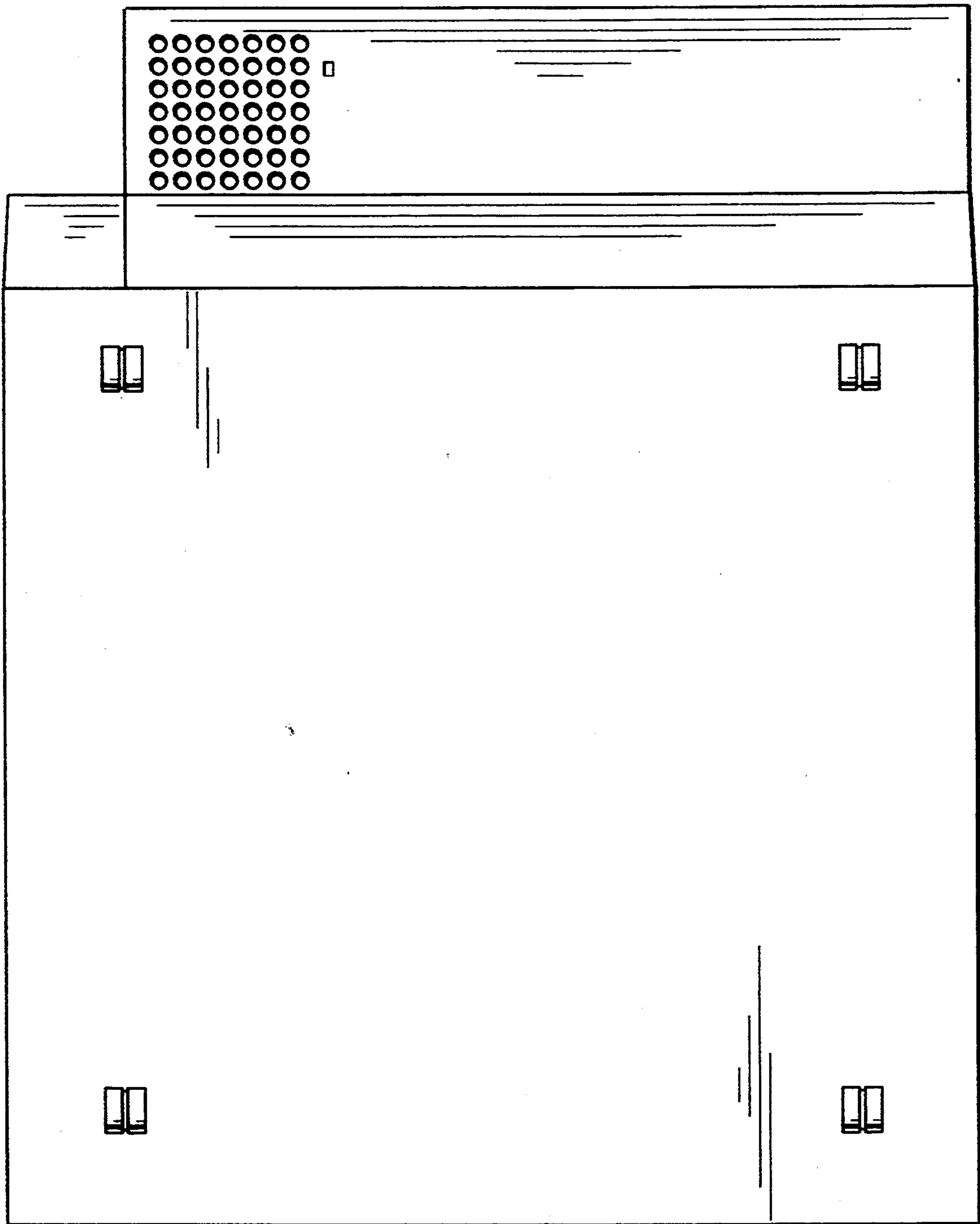


FIG. 3

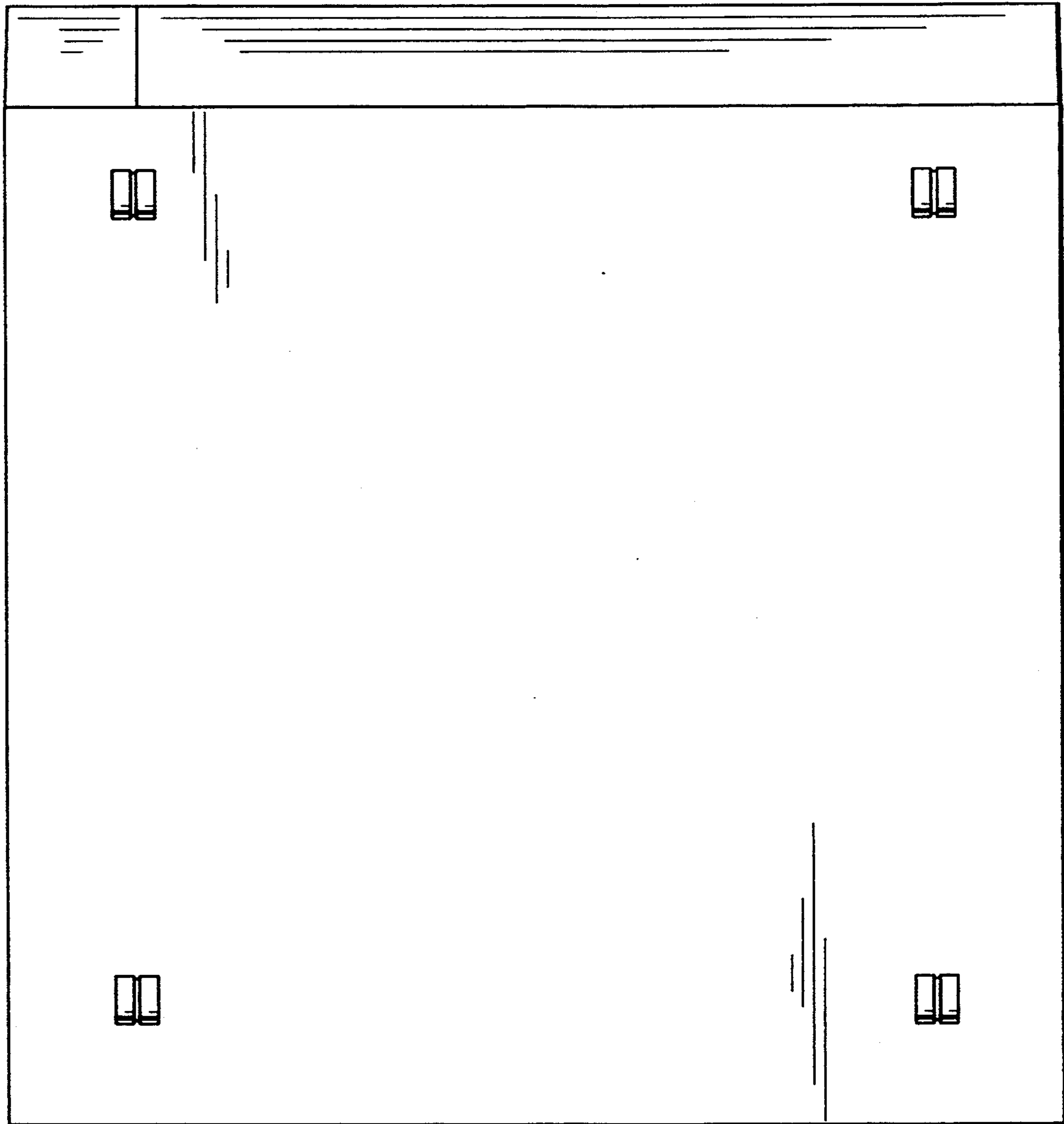


FIG. 4

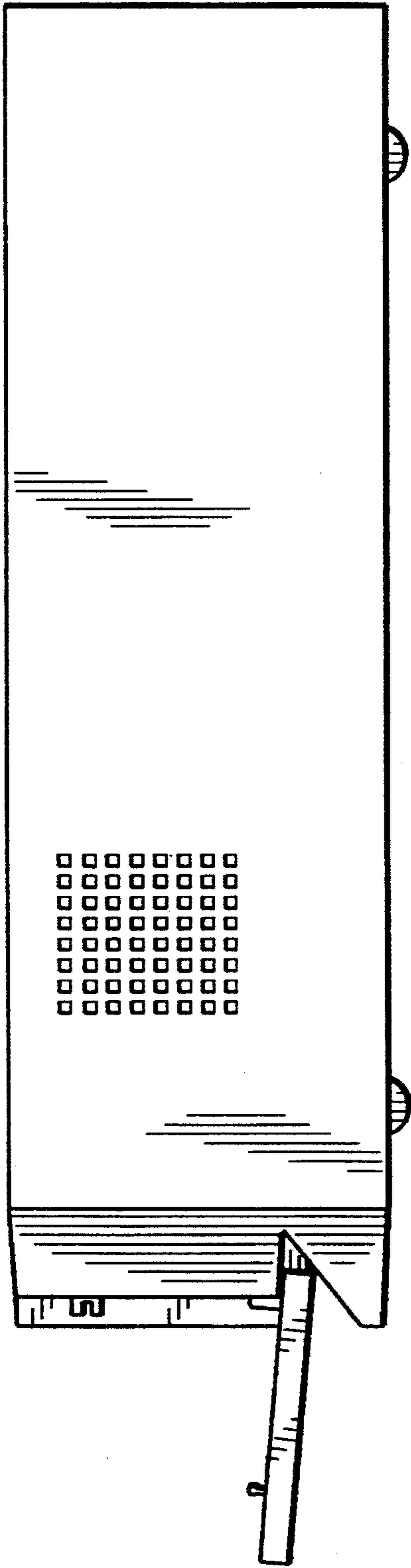


FIG. 5

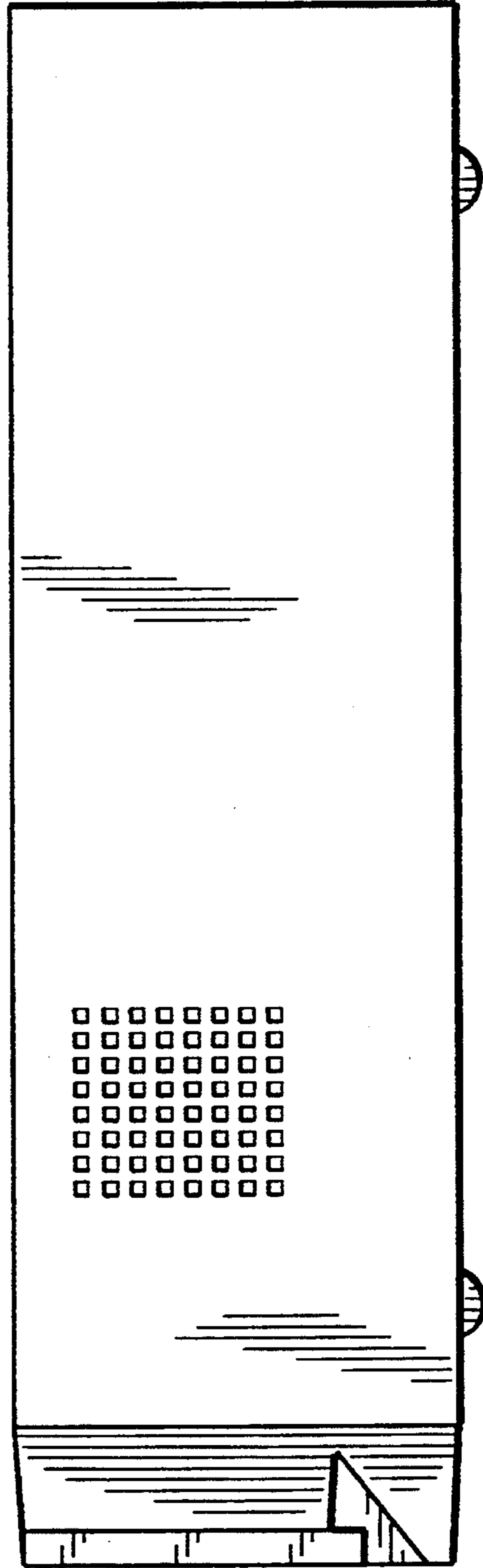


FIG. 6

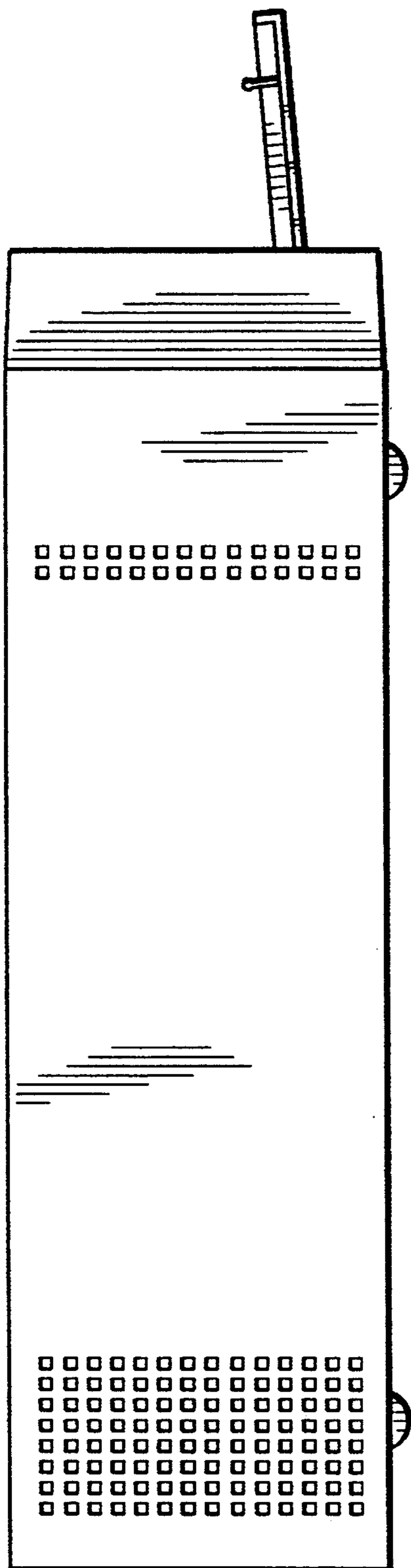


FIG. 7

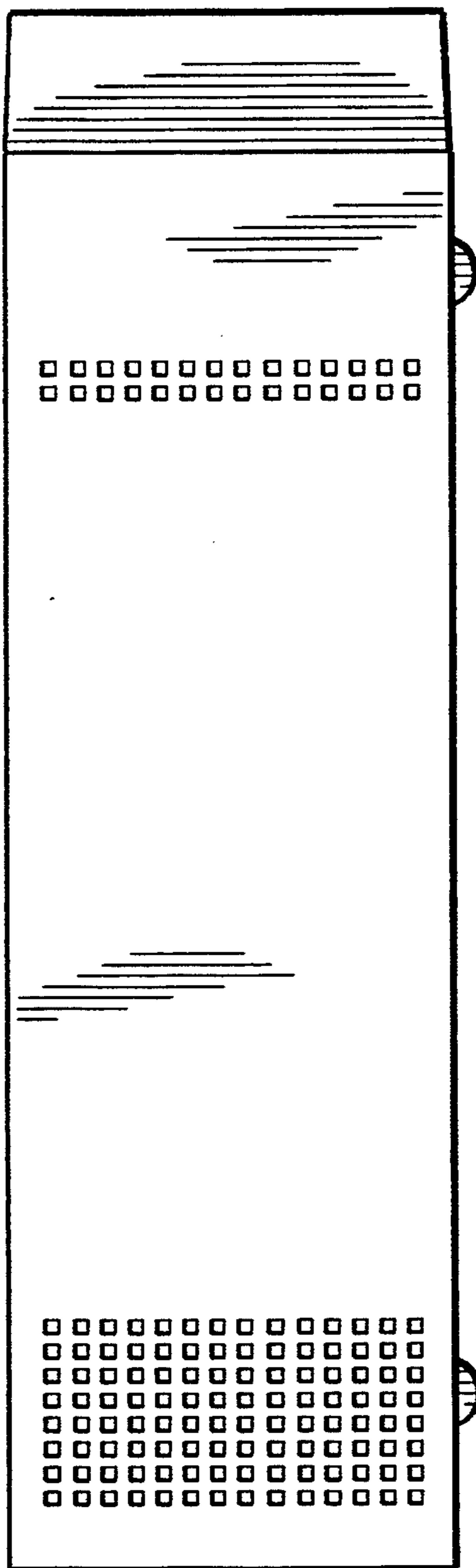


FIG. 8

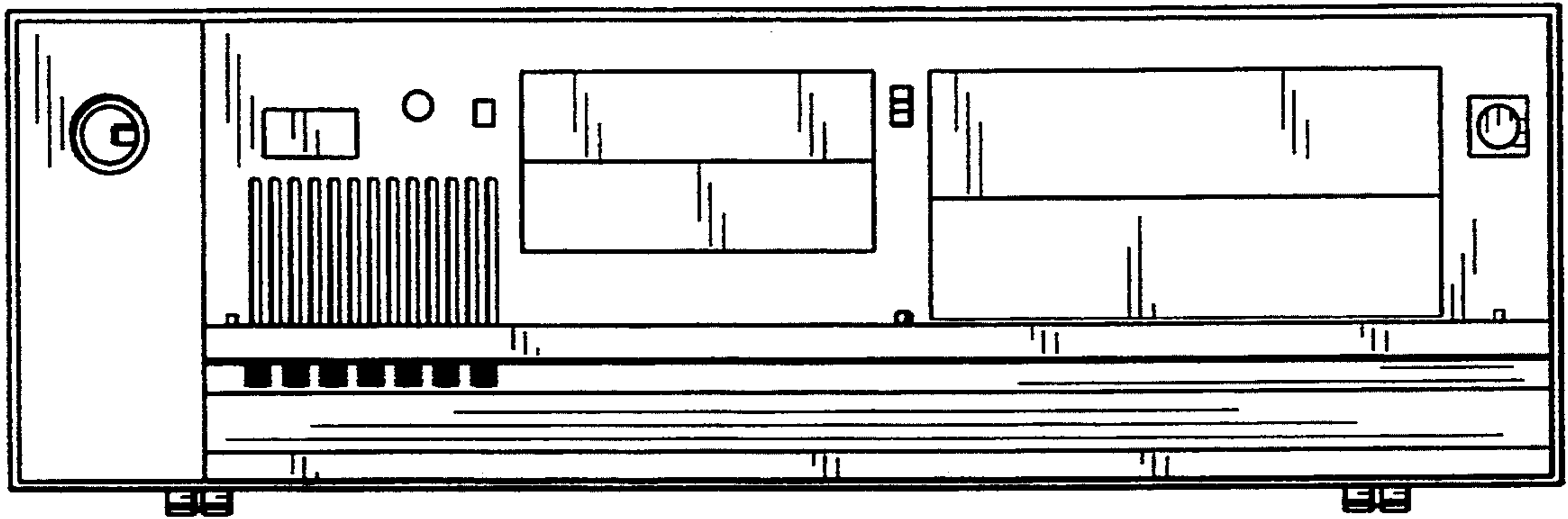


FIG. 9

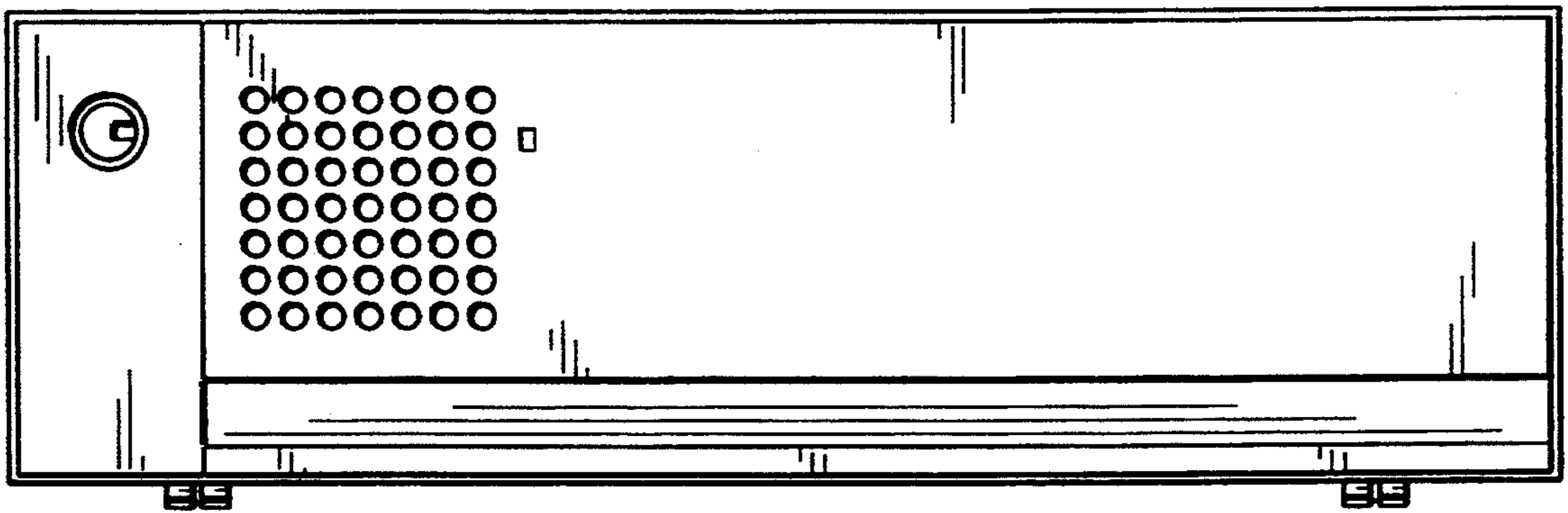


FIG. 10



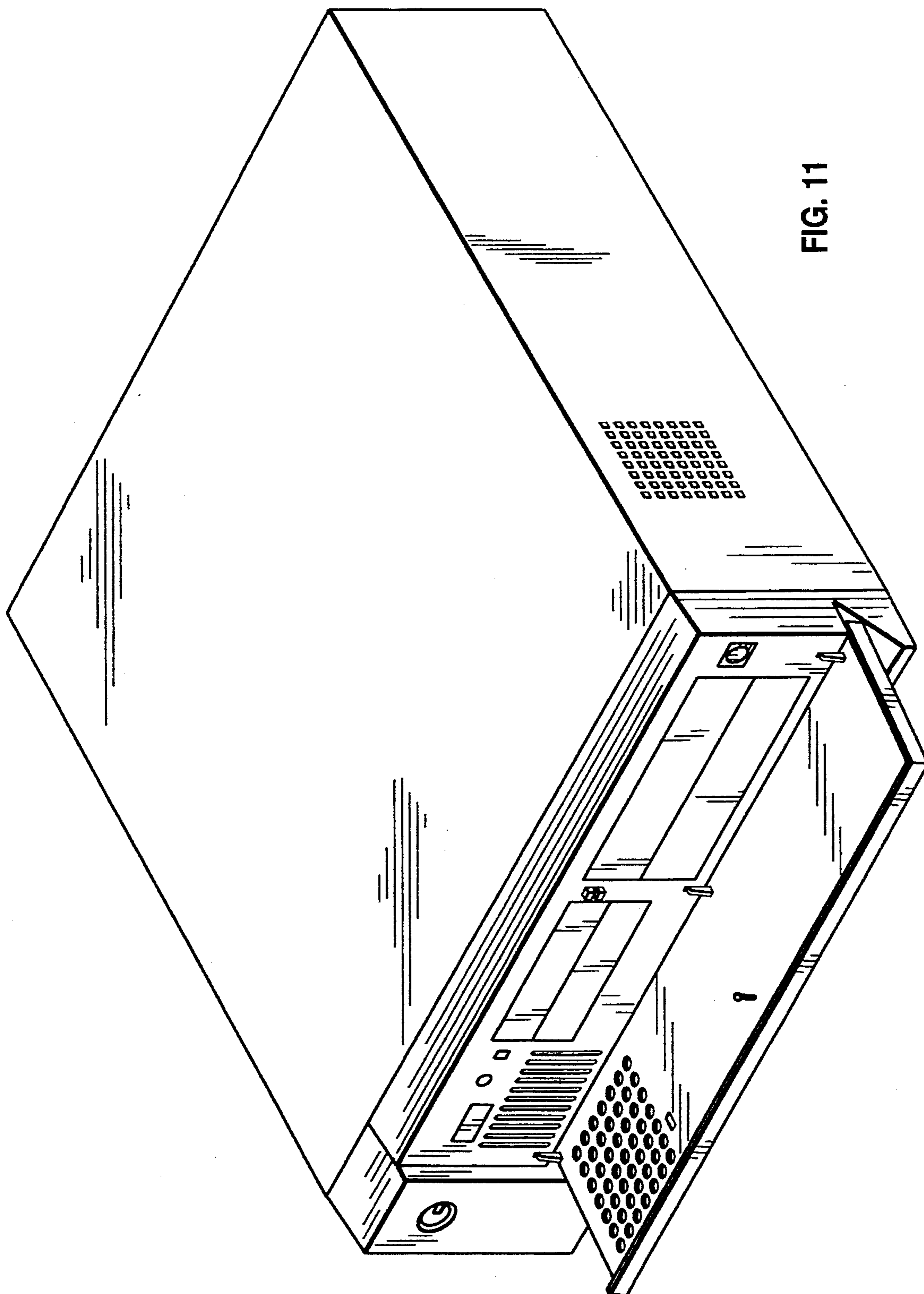


FIG. 11

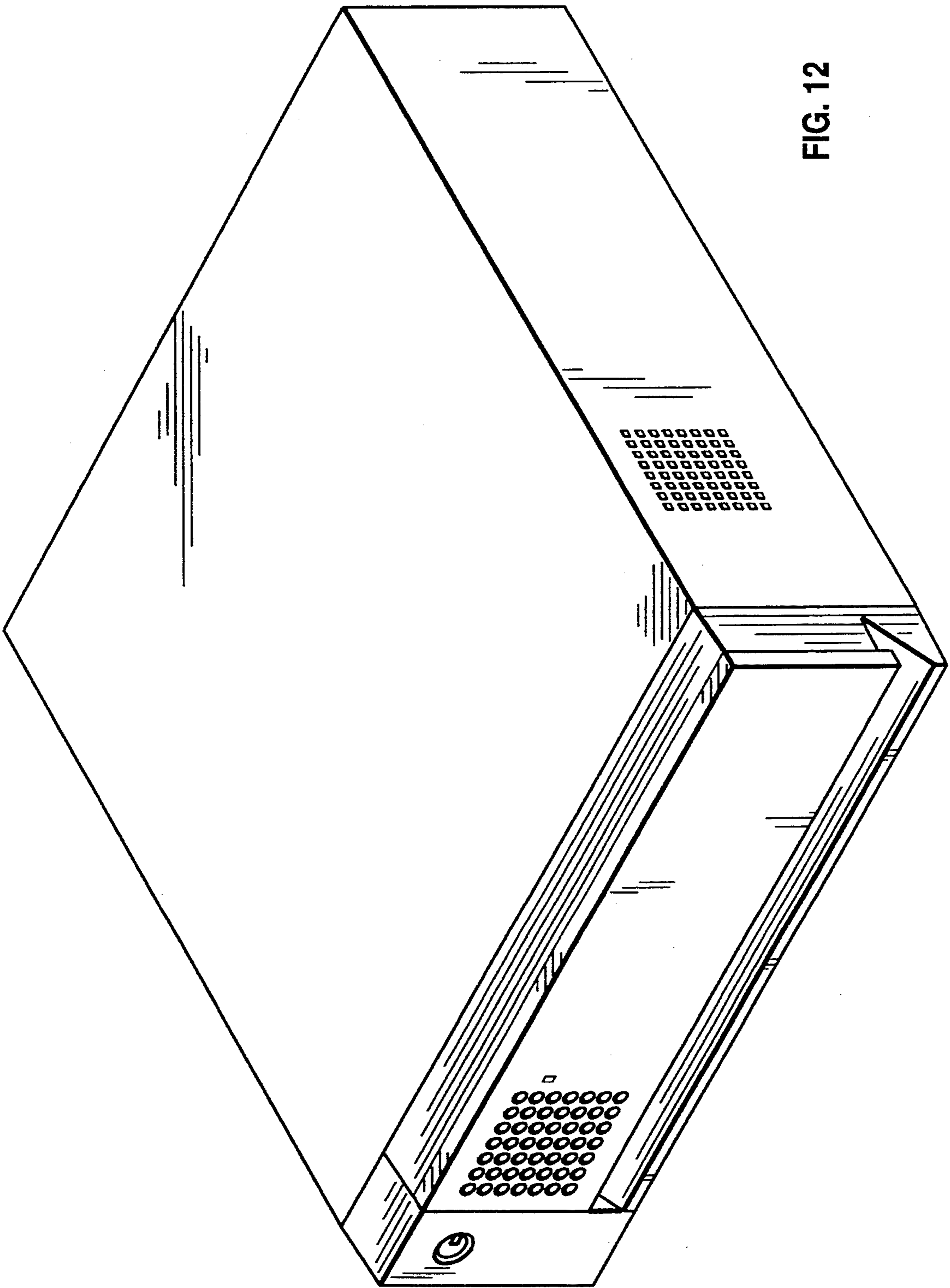


FIG. 12

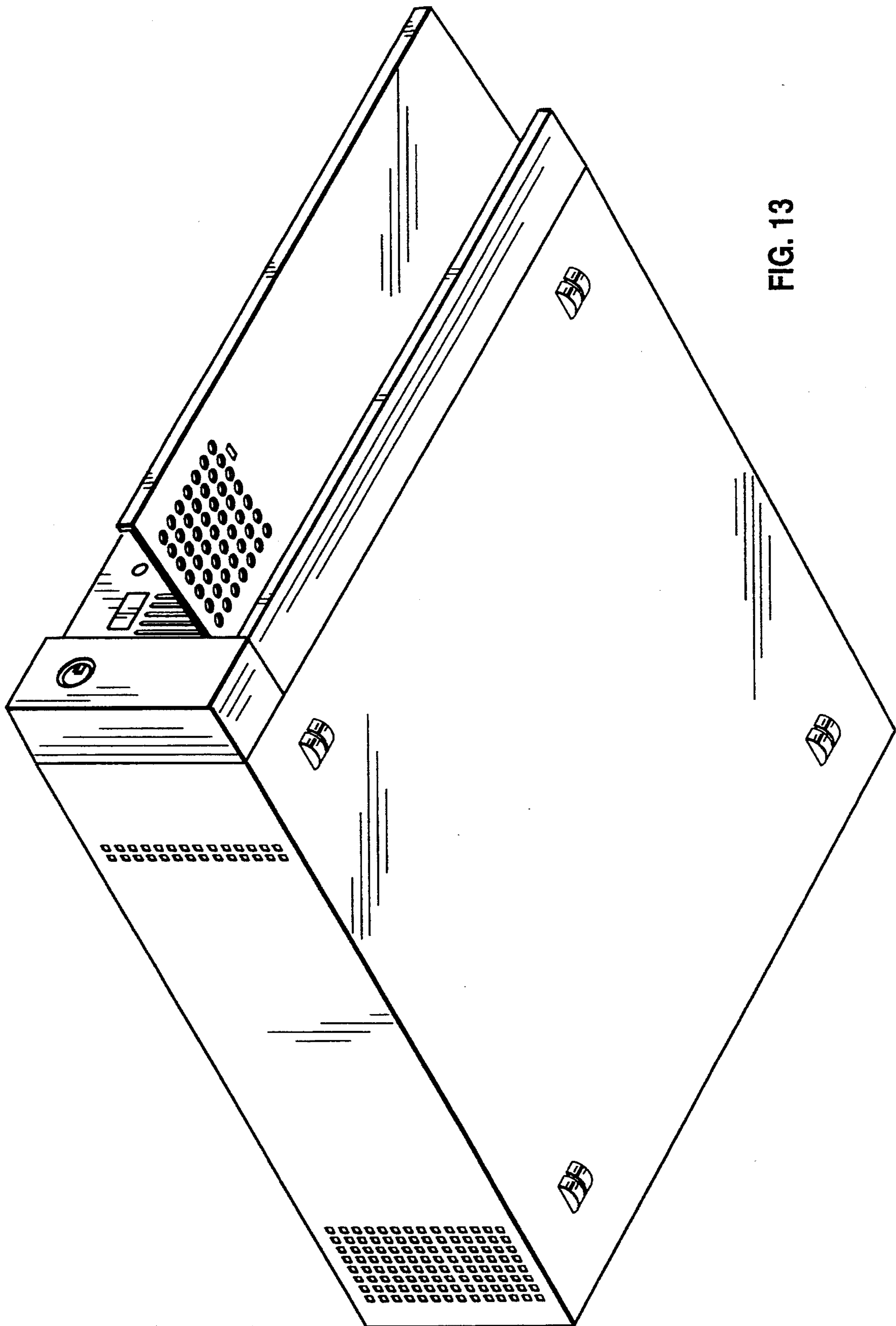


FIG. 13

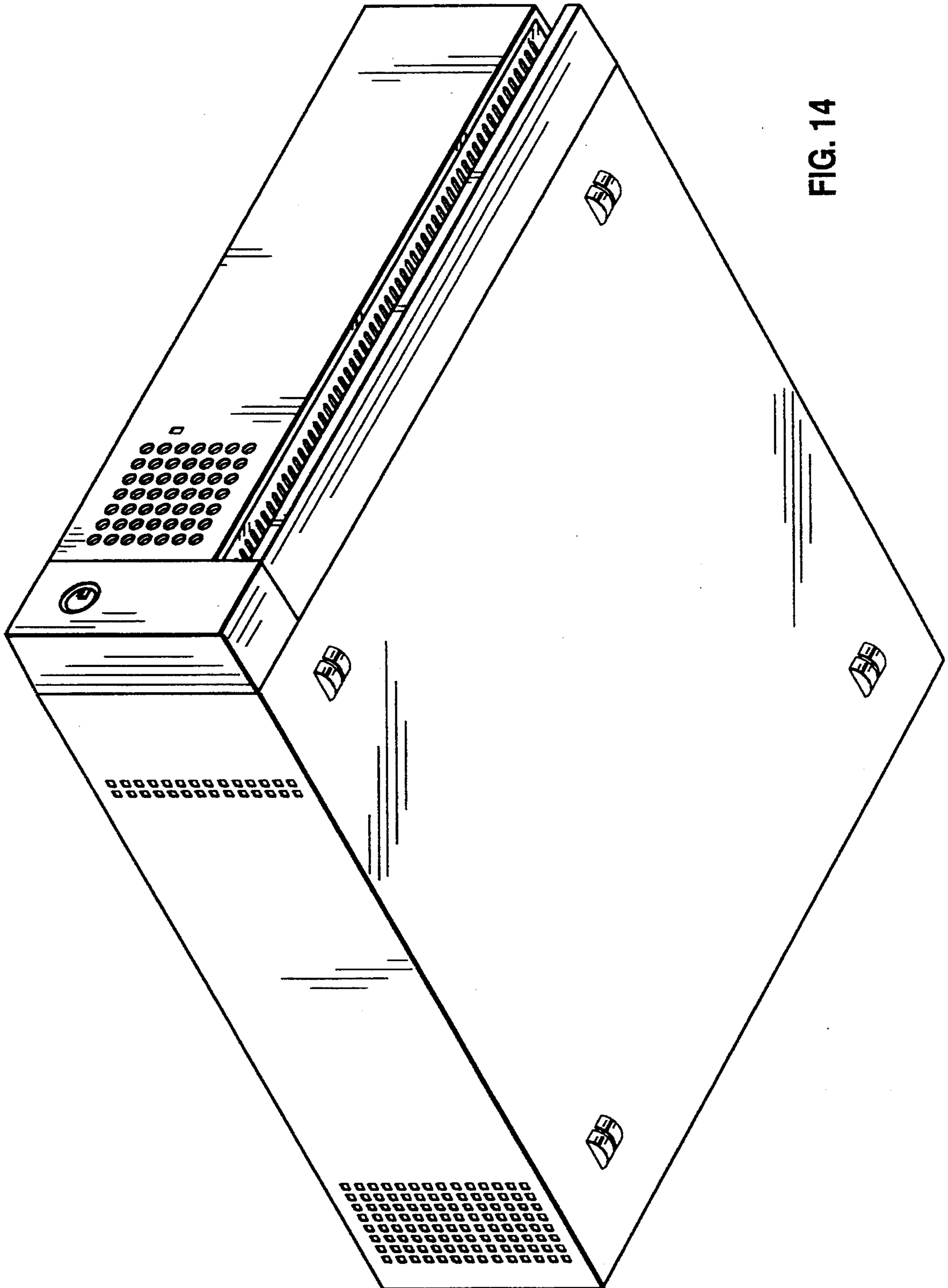


FIG. 14