



US00D357222S

United States Patent [19]

[11] Patent Number: **Des. 357,222**

Lunter et al.

[45] Date of Patent: **** Apr. 11, 1995**

[54] WATER CRAFT

D. 345,957	4/1994	Fleurbaey	D12/307
3,718,111	2/1973	Vecchio	114/270
4,730,572	3/1988	Hollingsworth	114/283

[76] Inventors: **Paul Lunter**, 12003 49th St., N. #301, Clearwater, Fla. 34622; **Jerry W. Garrison**, 4738 Nele St., Northport, Fla. 34287

Primary Examiner—Kay H. Chin
Attorney, Agent, or Firm—Frank A. Lukasik

[**] Term: **14 Years**

[57] **CLAIM**

[21] Appl. No.: **14,258**

The ornamental design for water craft, as shown and described.

[22] Filed: **Oct. 18, 1993**

DESCRIPTION

[52] U.S. Cl. **D12/307; D12/316**

FIG. 1 is a top, front, perspective view of a water craft showing our new design;

[58] Field of Search **D12/300, 316, 307;**

114/270, 56, 62, 283

FIG. 2 is a left side elevational view thereof;

FIG. 3 is a top plan view thereof;

FIG. 4 is a front elevational view thereof;

FIG. 5 is a rear elevational view thereof; and,

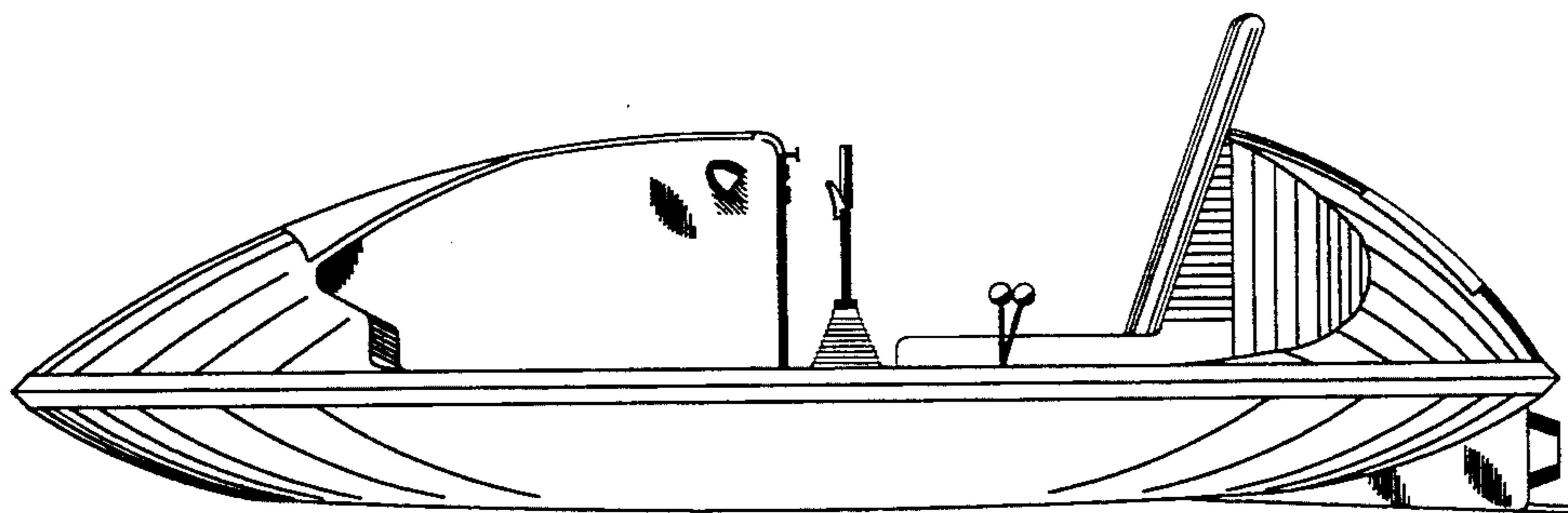
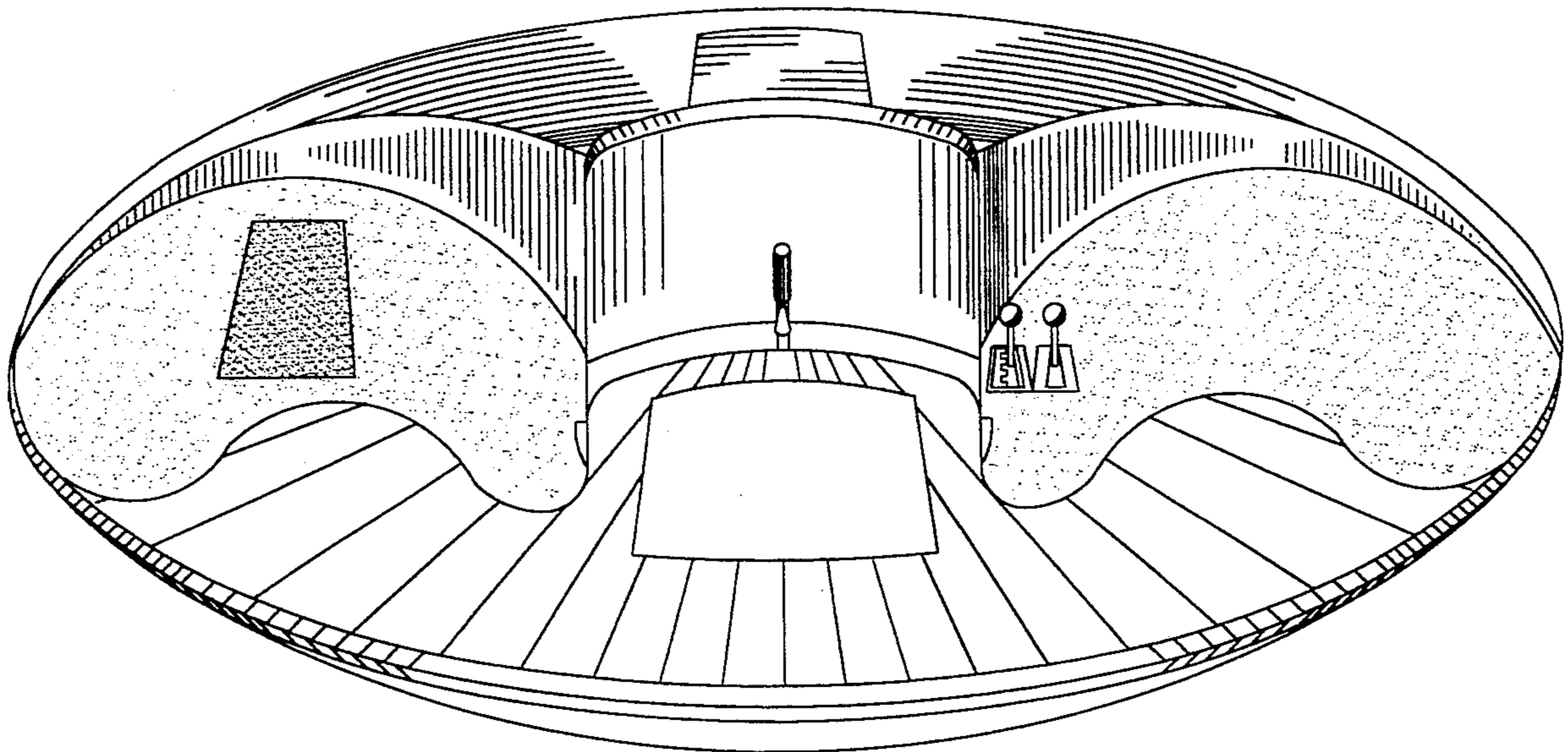
FIG. 6 is a bottom plan view thereof.

[56]

References Cited

U.S. PATENT DOCUMENTS

D. 331,439 12/1992 Gibson D12/316



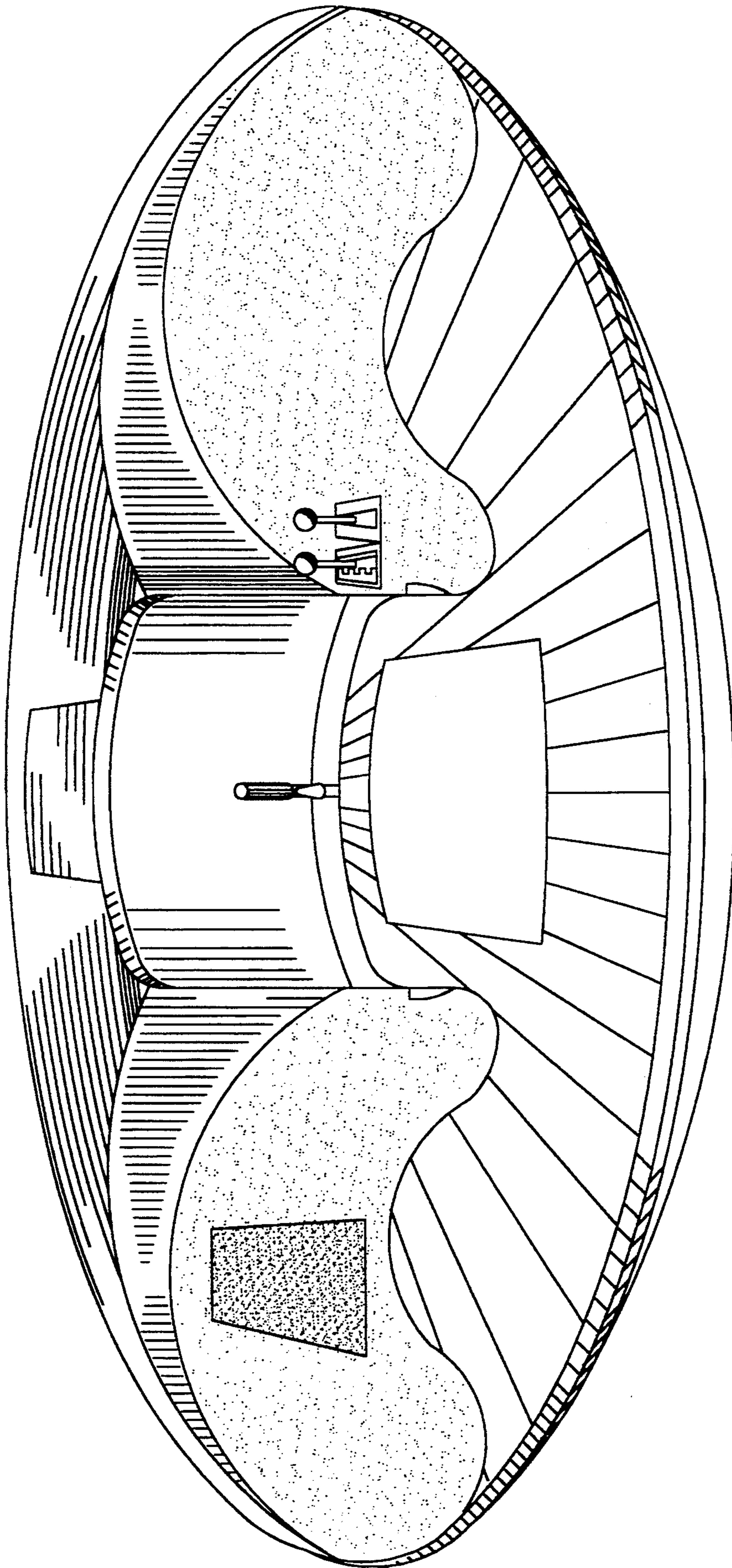


Fig.1

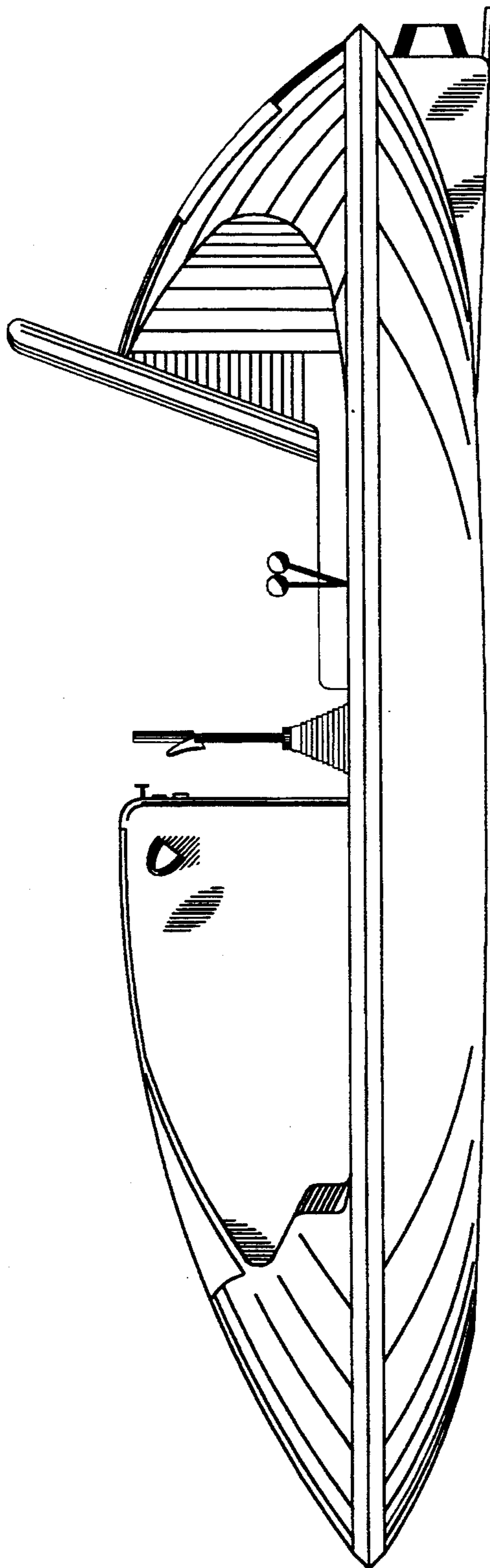


Fig. 2

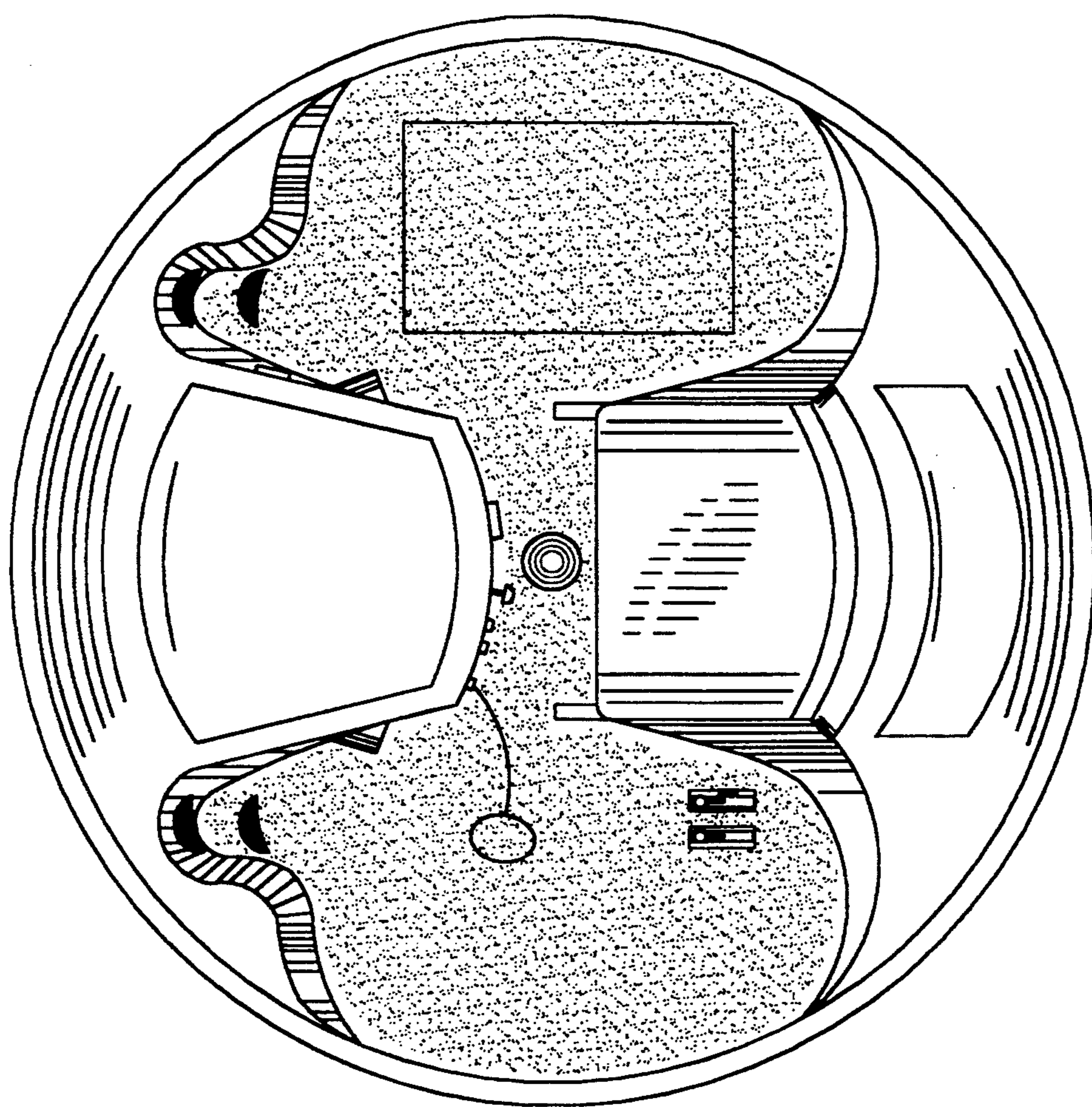


Fig. 3

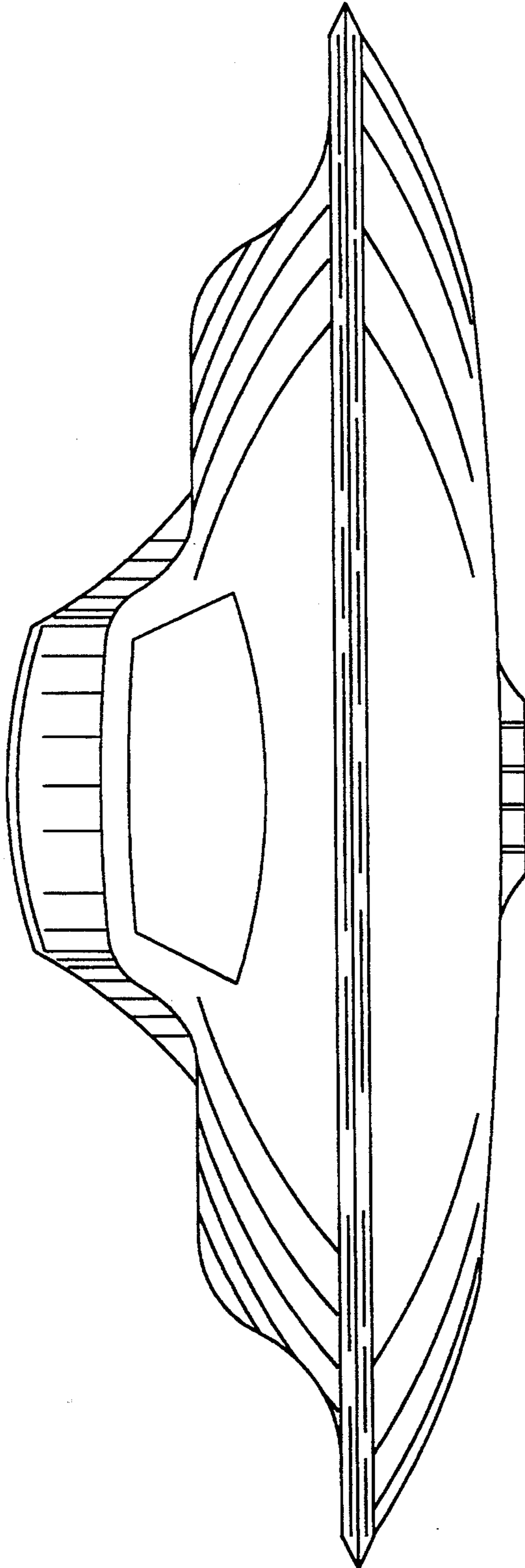


Fig. 4

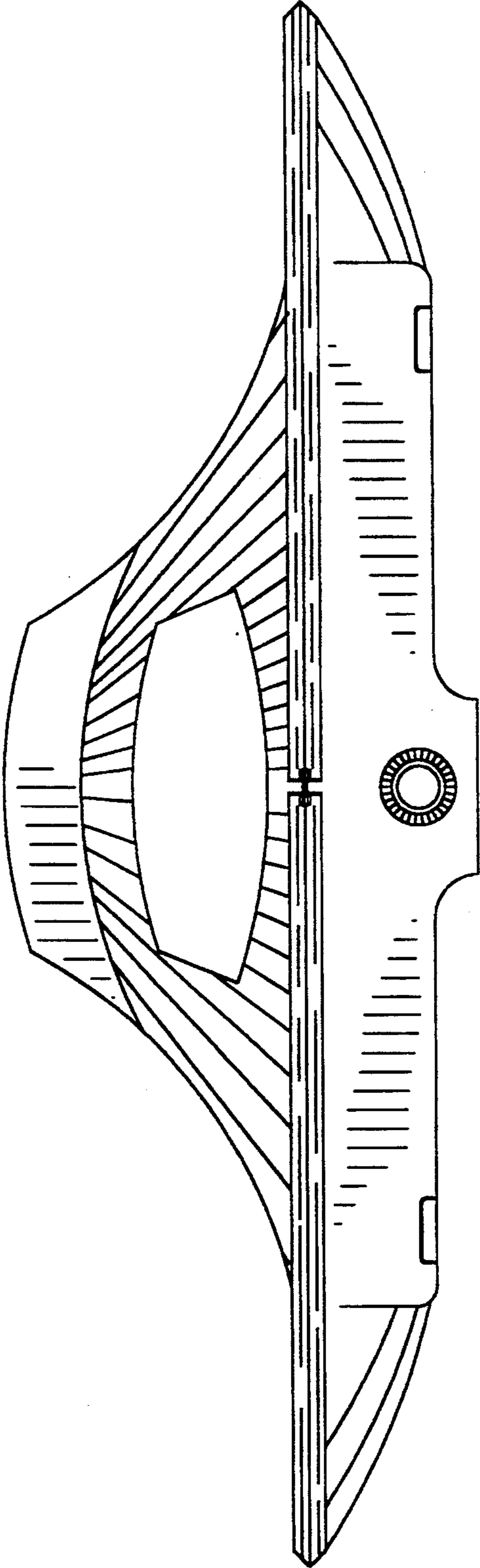


Fig. 5

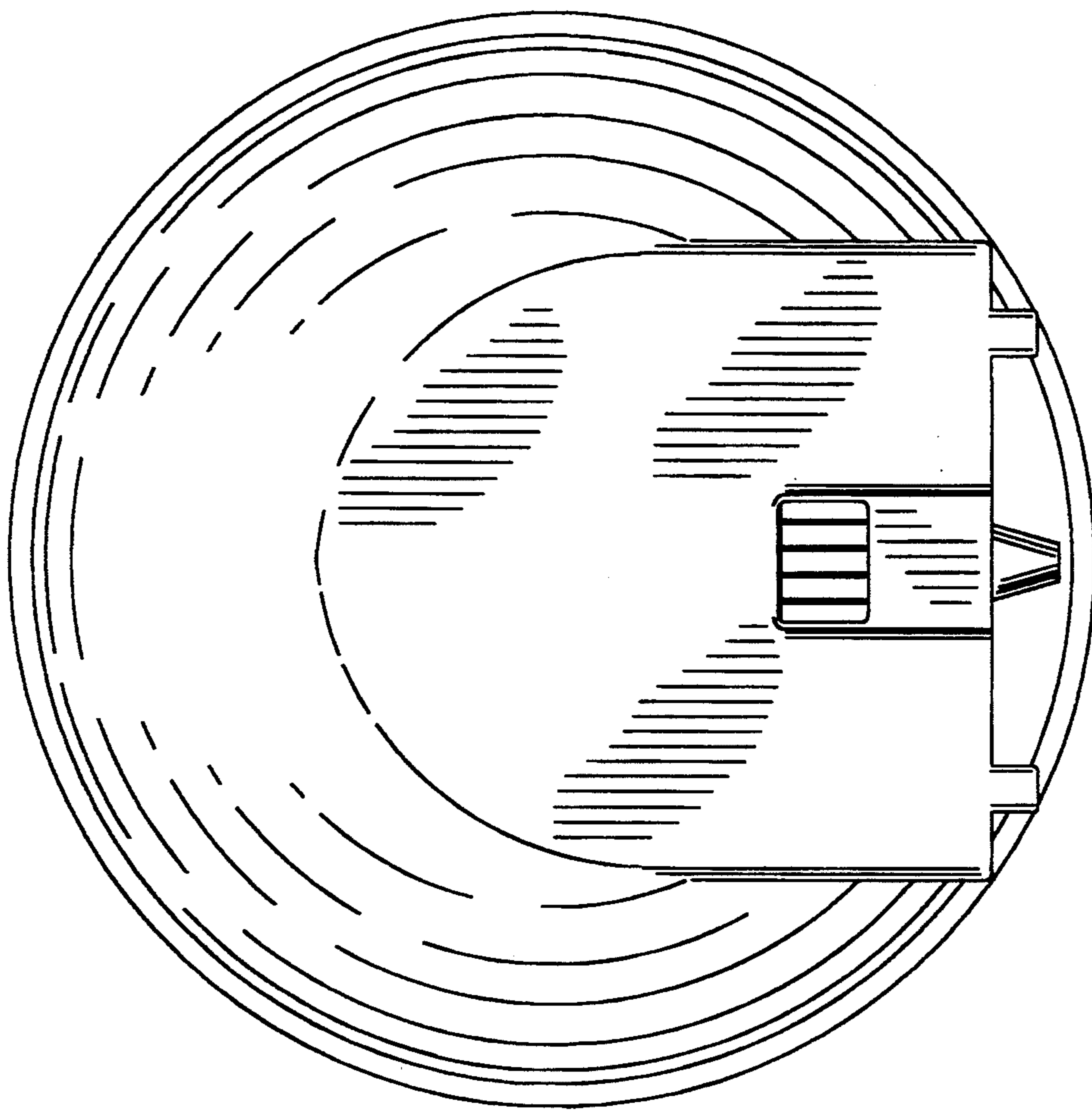


Fig. 6