



US00D357221S

United States Patent [19]

[11] Patent Number: **Des. 357,221**

Steinke et al.

[45] Date of Patent: **** Apr. 11, 1995**

- [54] **DISC BRAKE SHIM**
- [75] Inventors: **Gustav J. Steinke; Starla D. Huffer,**
both of Lima, Ohio
- [73] Assignee: **International Brake Industries, Inc.,**
Lima, Ohio
- [**] Term: **14 Years**
- [21] Appl. No.: **18,858**
- [22] Filed: **Feb. 16, 1994**
- [52] U.S. Cl. **D12/180**
- [58] Field of Search **D12/180; 188/73.1, 250 B**

- D. 337,560 7/1993 Steinke et al. D12/180
- D. 337,750 7/1993 Steinke et al. D12/180
- D. 337,981 8/1993 Steinke et al. D12/180
- D. 337,982 8/1993 Steinke et al. D12/180
- D. 338,648 8/1993 Steinke et al. D12/180
- D. 341,120 11/1993 Steinke et al. D12/180
- D. 341,350 11/1993 Steinke et al. D12/180
- D. 341,807 11/1993 Steinke et al. D12/180
- D. 341,808 11/1993 Steinke et al. D12/180
- 4,373,615 2/1983 Melinat 188/73.1
- 5,129,487 7/1992 Kobayashi et al. 188/73.1

FOREIGN PATENT DOCUMENTS

- 85830271 5/1986 European Pat. Off. 188/73.1

Primary Examiner—James M. Gandy
Assistant Examiner—M. Brown
Attorney, Agent, or Firm—Edgar A. Zarins; Malcolm L. Sutherland

[56] **References Cited**
U.S. PATENT DOCUMENTS

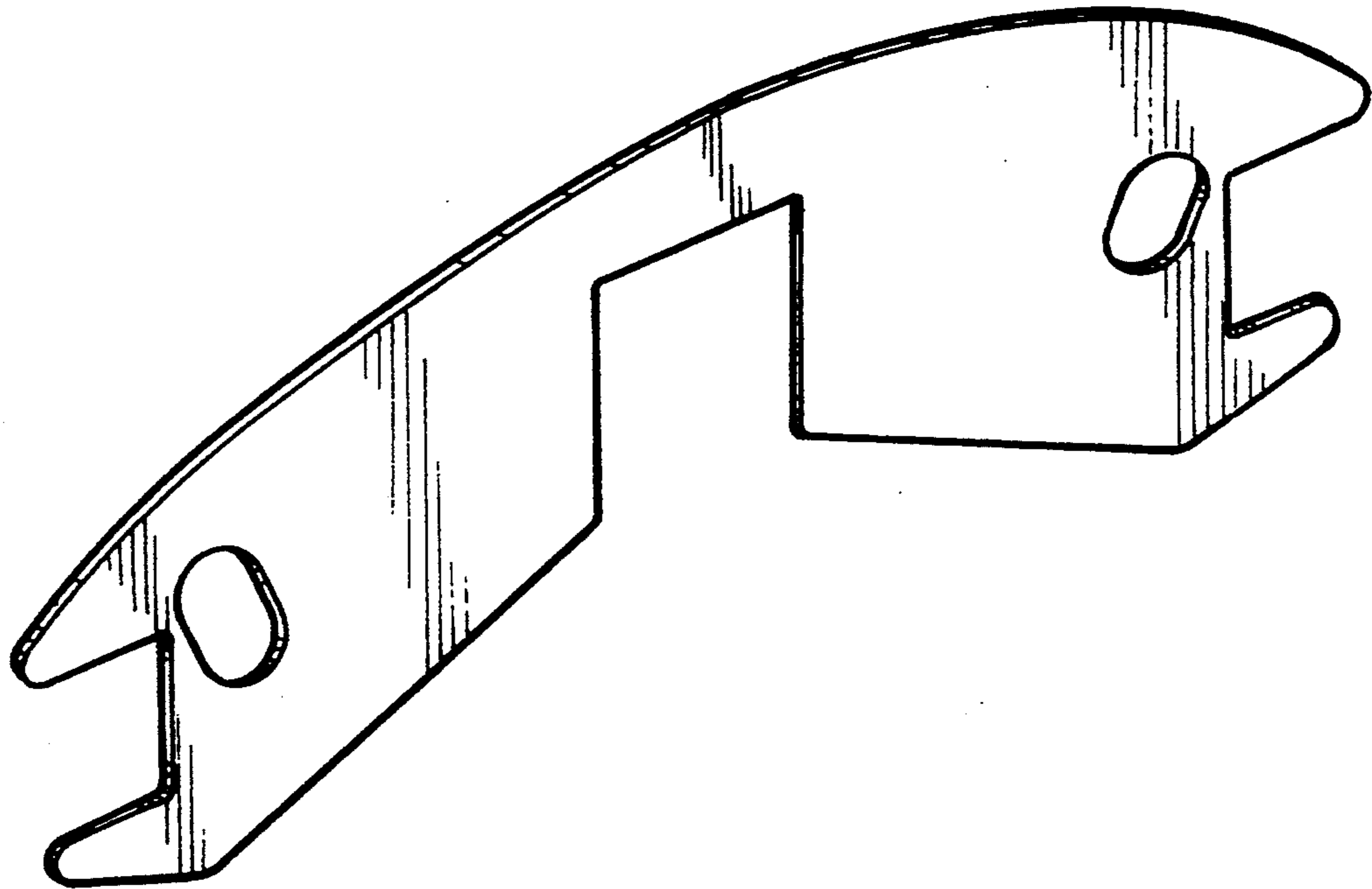
- D. 279,467 7/1985 Eberhart et al. D12/180
- D. 331,119 11/1993 Steinke et al. D12/180
- D. 336,741 6/1993 Steinke et al. D12/180
- D. 336,882 6/1993 Steinke et al. D12/180
- D. 336,883 6/1993 Steinke et al. D12/180
- D. 337,088 7/1993 Steinke et al. D12/180
- D. 337,089 7/1993 Steinke et al. D12/180
- D. 337,293 7/1993 Steinke et al. D12/180
- D. 337,294 7/1993 Steinke et al. D12/180
- D. 337,295 7/1993 Steinke et al. D12/180
- D. 337,296 7/1993 Steinke et al. D12/180
- D. 337,557 7/1993 Steinke et al. D12/180
- D. 337,558 7/1993 Steinke et al. D12/180
- D. 337,559 7/1993 Steinke et al. D12/180

[57] **CLAIM**

The ornamental design for a disc brake shim, as shown and described.

DESCRIPTION

FIG. 1 is a perspective view of a disc brake shim showing our new design;
 FIG. 2 is a front elevational view thereof;
 FIG. 3 is a top plan view thereof;
 FIG. 4 is a bottom plan view thereof; and,
 FIG. 5 is a side view thereof, the opposite side being a mirror image of the side shown.



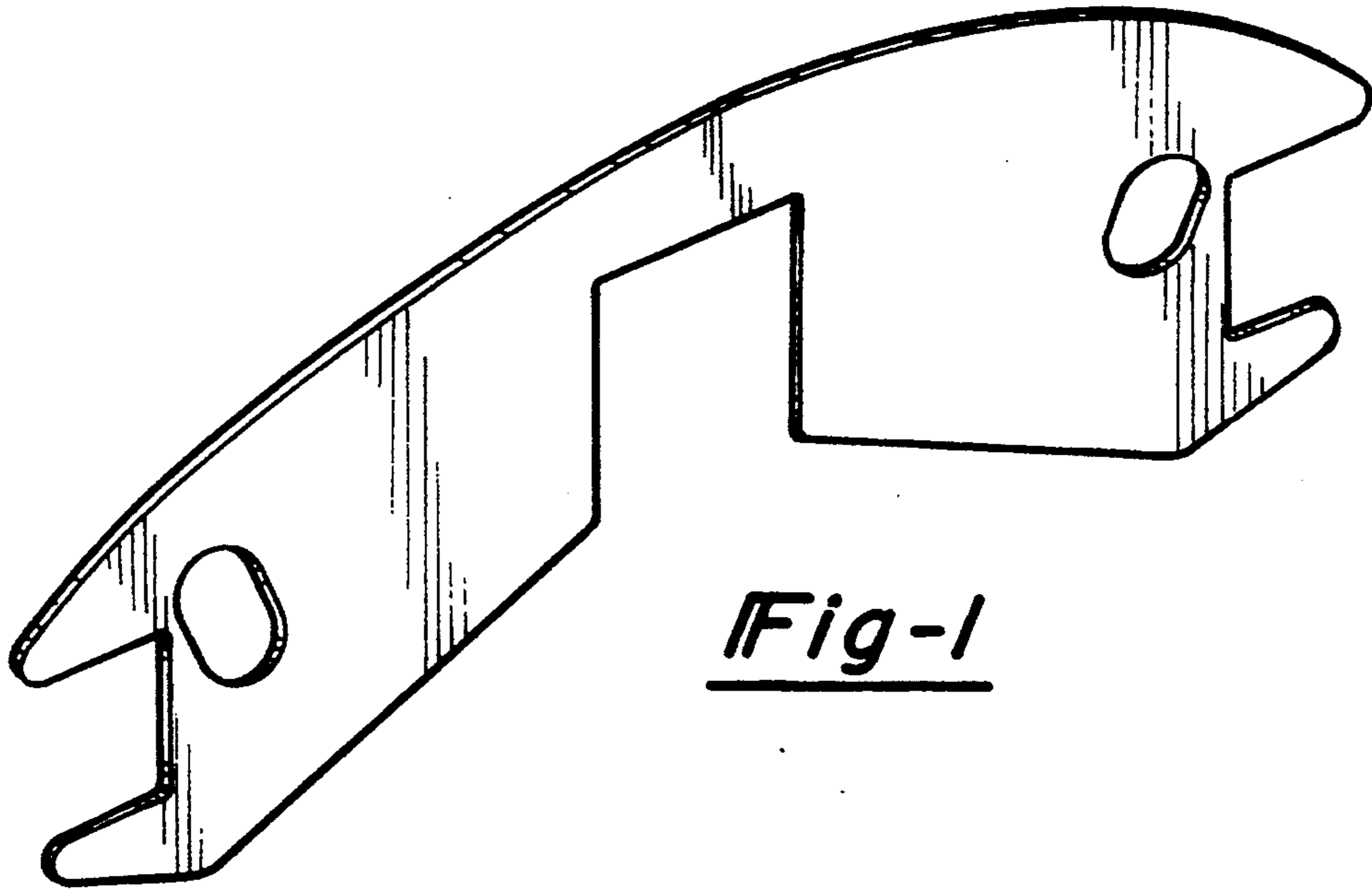


Fig-1

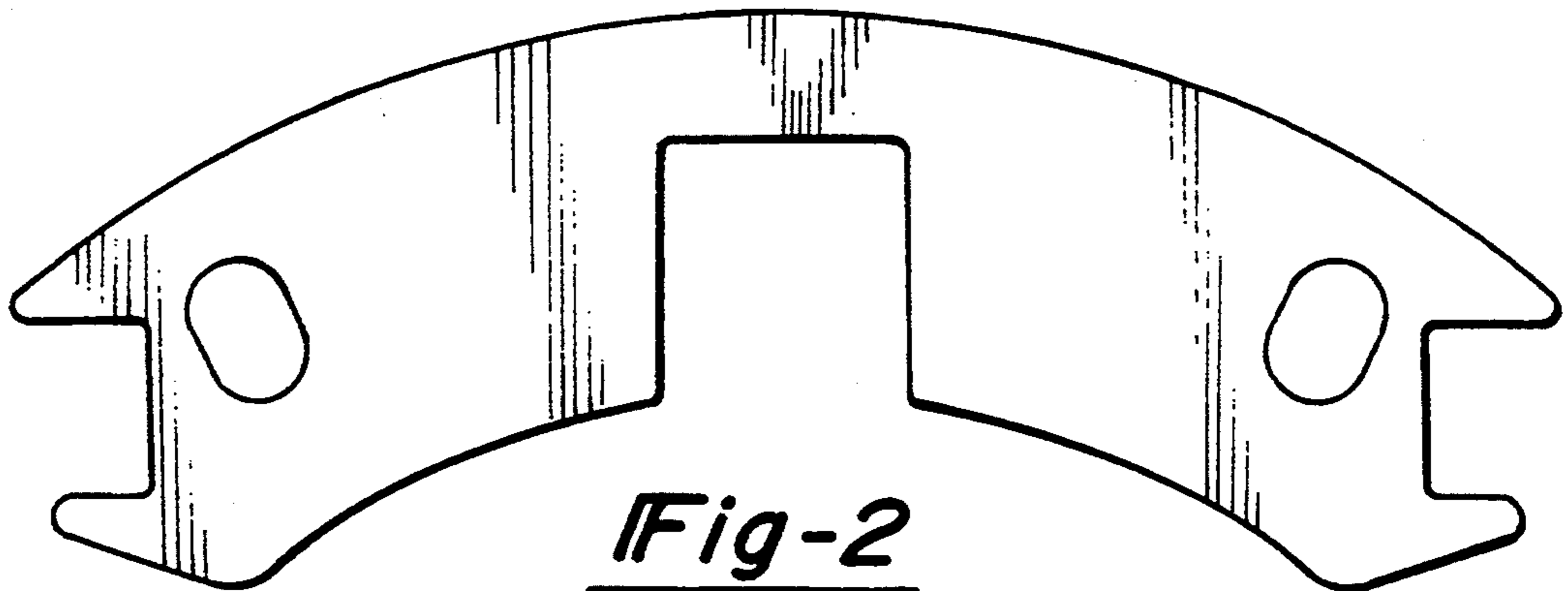


Fig-2



Fig-3



Fig-4



Fig-5